



US00D876735S

(12) **United States Design Patent** (10) **Patent No.:** **US D876,735 S**
Lässig (45) **Date of Patent:** **** Feb. 25, 2020**

(54) **VACUUM CLEANER**
(71) Applicant: **ELEKTROWERKZEUGE GMBH**
EIBENSTOCK, Eibenstock (DE)
(72) Inventor: **Lothar Lässig**, Bockau (DE)
(73) Assignee: **Elektrowerkzeuge GmbH Eibenstock**,
Eibenstock (DE)

D667,597 S * 9/2012 Dammkoehler D32/21
D675,388 S * 1/2013 Buck D32/21
D712,605 S * 9/2014 Dammkoehler D32/21
D714,501 S * 9/2014 Dammkoehler D32/21
D720,900 S * 1/2015 Hickmott D32/21
9,572,464 B2 * 2/2017 Wehner A47L 5/365
D802,861 S * 11/2017 Jin D32/21

(**) Term: **15 Years**
(21) Appl. No.: **35/505,880**
(22) Filed: **Jul. 4, 2018**

(80) **Hague Agreement Data**
Int. Filing Date: **Jul. 4, 2018**
Int. Reg. No.: **DM/103156**
Int. Reg. Date: **Jul. 4, 2018**
Int. Reg. Pub. Date: **Oct. 19, 2018**

(51) **LOC (12) Cl.** **15-05**
(52) **U.S. Cl.**
USPC **D32/21**
(58) **Field of Classification Search**
USPC D32/21, 22, 23, 31
CPC A47L 5/00; A47L 5/24; A47L 5/28
See application file for complete search history.

(56) **References Cited**
U.S. PATENT DOCUMENTS
D581,111 S * 11/2008 DiPasquale D32/21
D581,608 S * 11/2008 Dammkoehler D32/21
D587,868 S * 3/2009 DiPasquale D32/21
D615,258 S * 5/2010 Dammkoehler D32/23
D655,872 S * 3/2012 Jin D32/21
D660,529 S * 5/2012 Dammkoehler D32/21

OTHER PUBLICATIONS

www.dds-online.de: Stärker und leiser. Feb. 26, 2017; one page.
Found online Jul. 12, 2019 at <https://www.dds-online.de/staubklasse-m/staerker-und-leiser/> (Year: 2017).*
www.eibenstock.com: Produkte: Absaugen. Undated; 4 pages. Found
online Jul. 12, 2019 at <https://www.eibenstock.com/de/produkte/elektrowerkzeuge/industriestaubsauger> (Year: 2019).*

* cited by examiner

Primary Examiner — Robert M. Spear
(74) *Attorney, Agent, or Firm* — Laurence A. Greenberg;
Werner H. Stemer; Ralph E. Locher

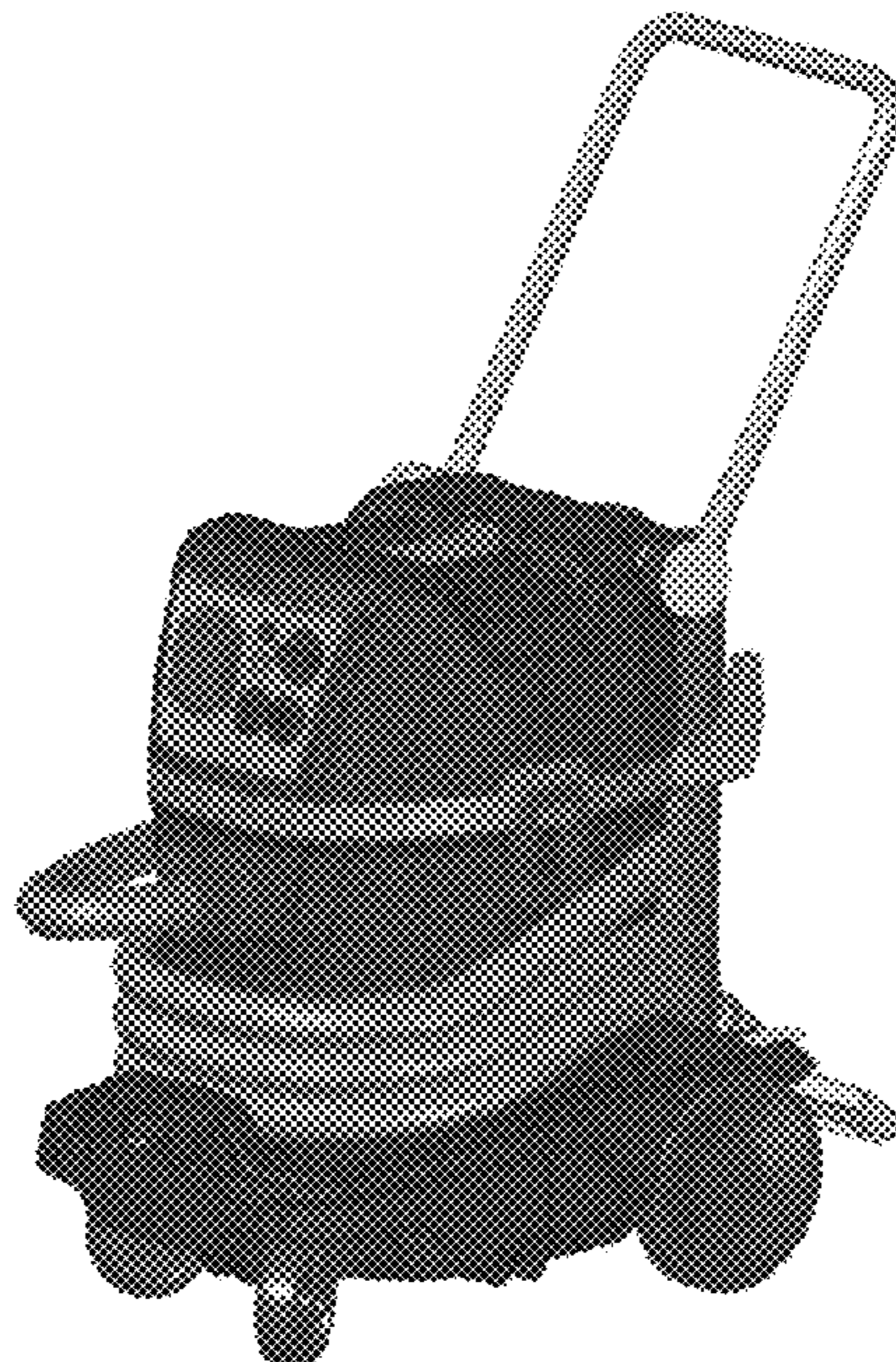
(57) **CLAIM**

The ornamental design for a vacuum cleaner, as shown and described.

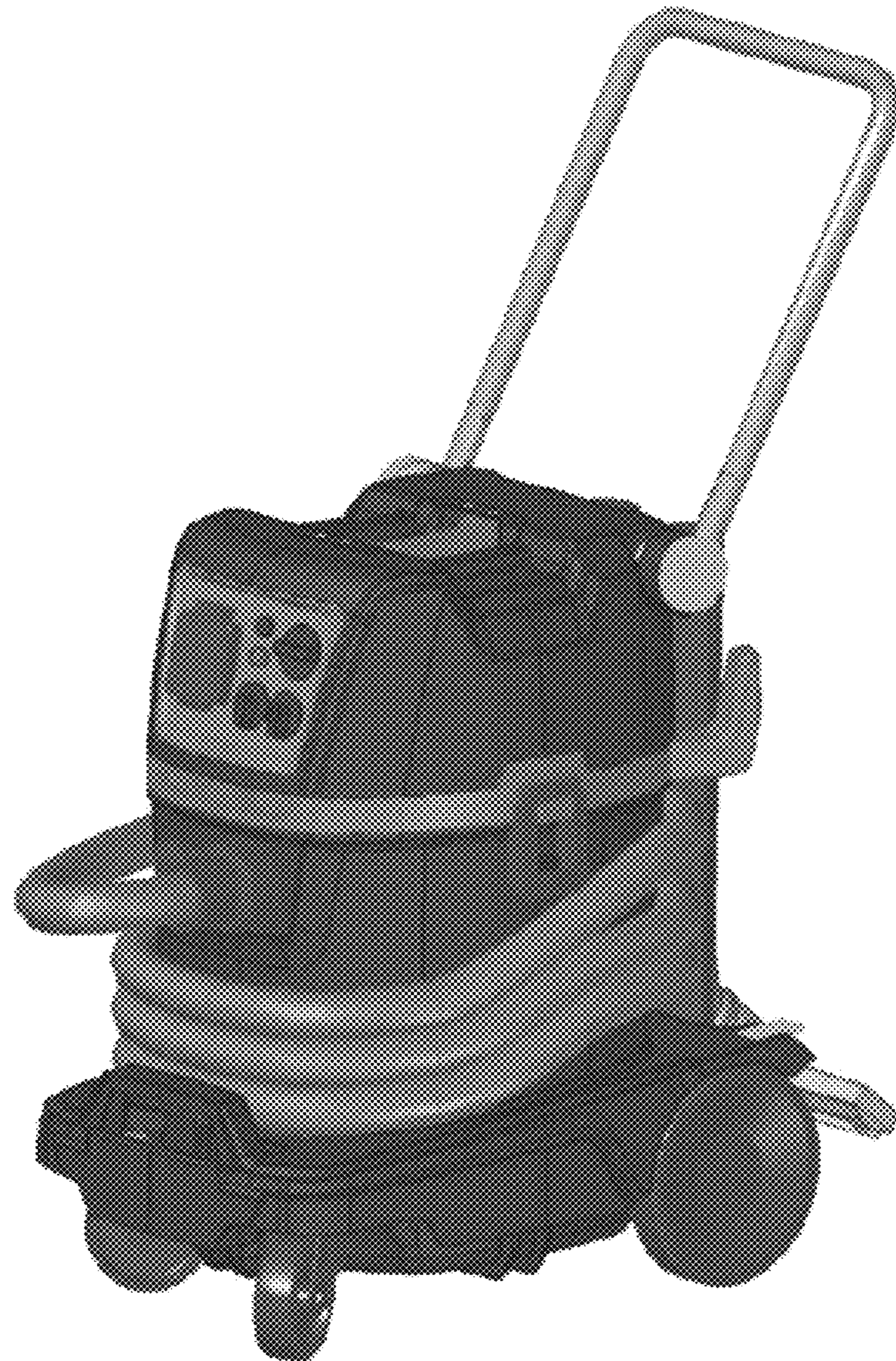
DESCRIPTION

1. Vacuum cleaner
1.1 is a perspective view of the vacuum cleaner showing my new design;
1.2 is a perspective view thereof, showing the handle portion in an alternate position;
1.3 is a front elevation view thereof;
1.4 is a side elevation view thereof; and
1.5 is a rear elevation view thereof.

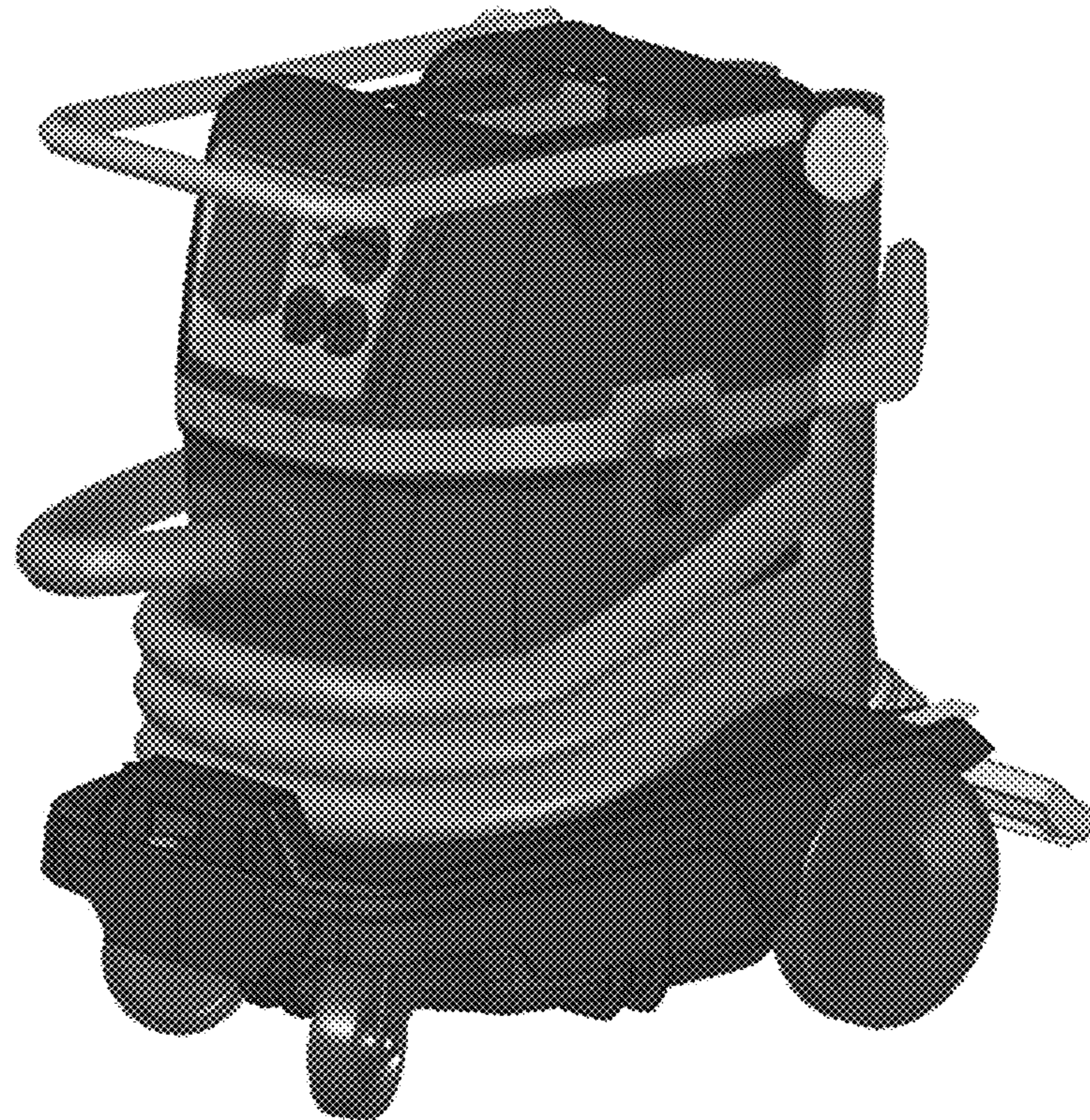
1 Claim, 5 Drawing Sheets



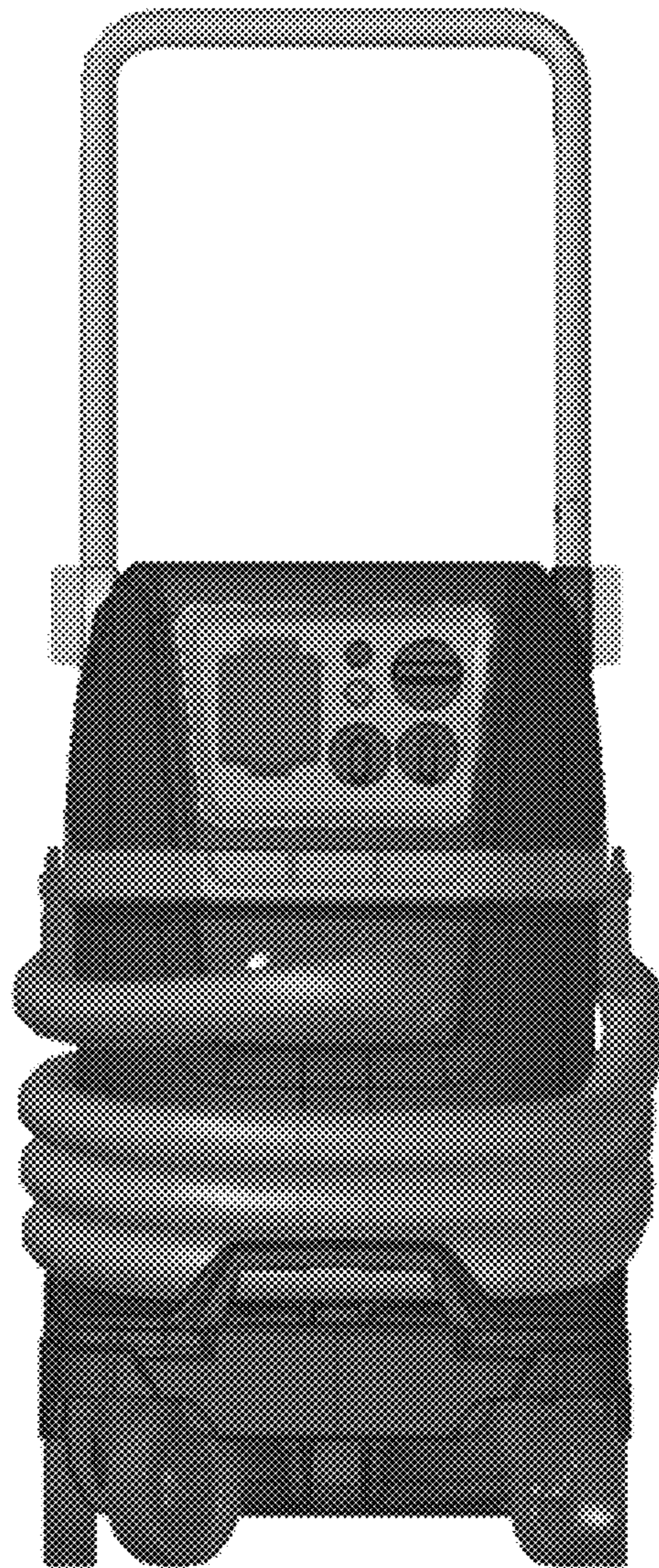
1.1



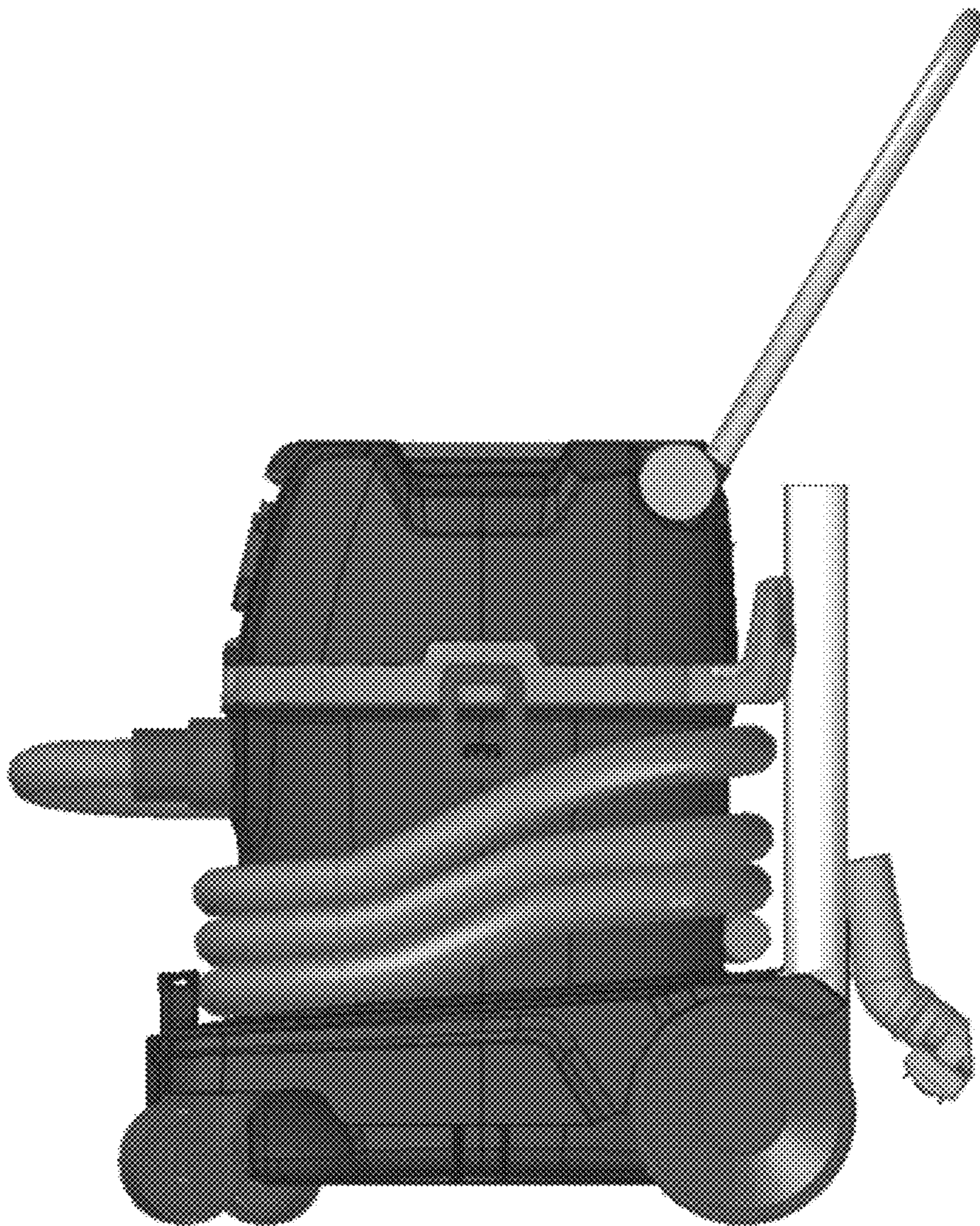
1.2



1.3



1.4



1.5

