



US00D876734S

(12) **United States Design Patent**  
**Chen**

(10) **Patent No.:** **US D876,734 S**

(45) **Date of Patent:** **\*\* Feb. 25, 2020**

(54) **VACUUM CLEANER**

(71) Applicant: **Changzhou Globe Co., Ltd.,**  
Changzhou, Jiangsu (CN)

(72) Inventor: **Jianlong Chen,** Changzhou (CN)

(73) Assignee: **Changzhou Globe Co., Ltd.,**  
Changzhou, Jiangsu (CN)

(\*\*) Term: **15 Years**

(21) Appl. No.: **29/644,553**

(22) Filed: **Apr. 18, 2018**

(30) **Foreign Application Priority Data**

Oct. 18, 2017 (CN) ..... 2017 3 0496698

(51) **LOC (12) Cl.** ..... **15-05**

(52) **U.S. Cl.**  
USPC ..... **D32/21**

(58) **Field of Classification Search**  
USPC ..... D32/21, 23-24, 31  
CPC ..... A47L 11/34; A47L 11/29; A47L 11/30;  
A47L 7/0019; A47L 7/0004; A47L  
7/0023; A47L 9/00; A47L 9/1409; A47L  
5/28; A47L 5/38

See application file for complete search history.

(56) **References Cited**

**U.S. PATENT DOCUMENTS**

D568,562 S \* 5/2008 Griffin ..... D32/23  
D571,513 S \* 6/2008 Griffin ..... D32/21

D581,114 S \* 11/2008 Crevling, Jr. .... D32/23  
D596,359 S \* 7/2009 Hollis ..... D32/21  
D619,770 S \* 7/2010 Moore, Jr. .... D32/24  
D655,874 S \* 3/2012 Dammkoehler ..... D32/24  
D683,090 S 5/2013 Griffin et al.  
D683,507 S 5/2013 Liu et al.  
D688,842 S 8/2013 Liu et al.  
D715,505 S \* 10/2014 Dammkoehler ..... D32/21  
D743,648 S \* 11/2015 Imsand ..... D32/21  
D746,523 S \* 12/2015 Jin ..... D32/21  
D842,560 S \* 3/2019 Tschopp ..... D32/21

\* cited by examiner

*Primary Examiner* — Ruth McInroy

(74) *Attorney, Agent, or Firm* — Dorton & Willis, LLP

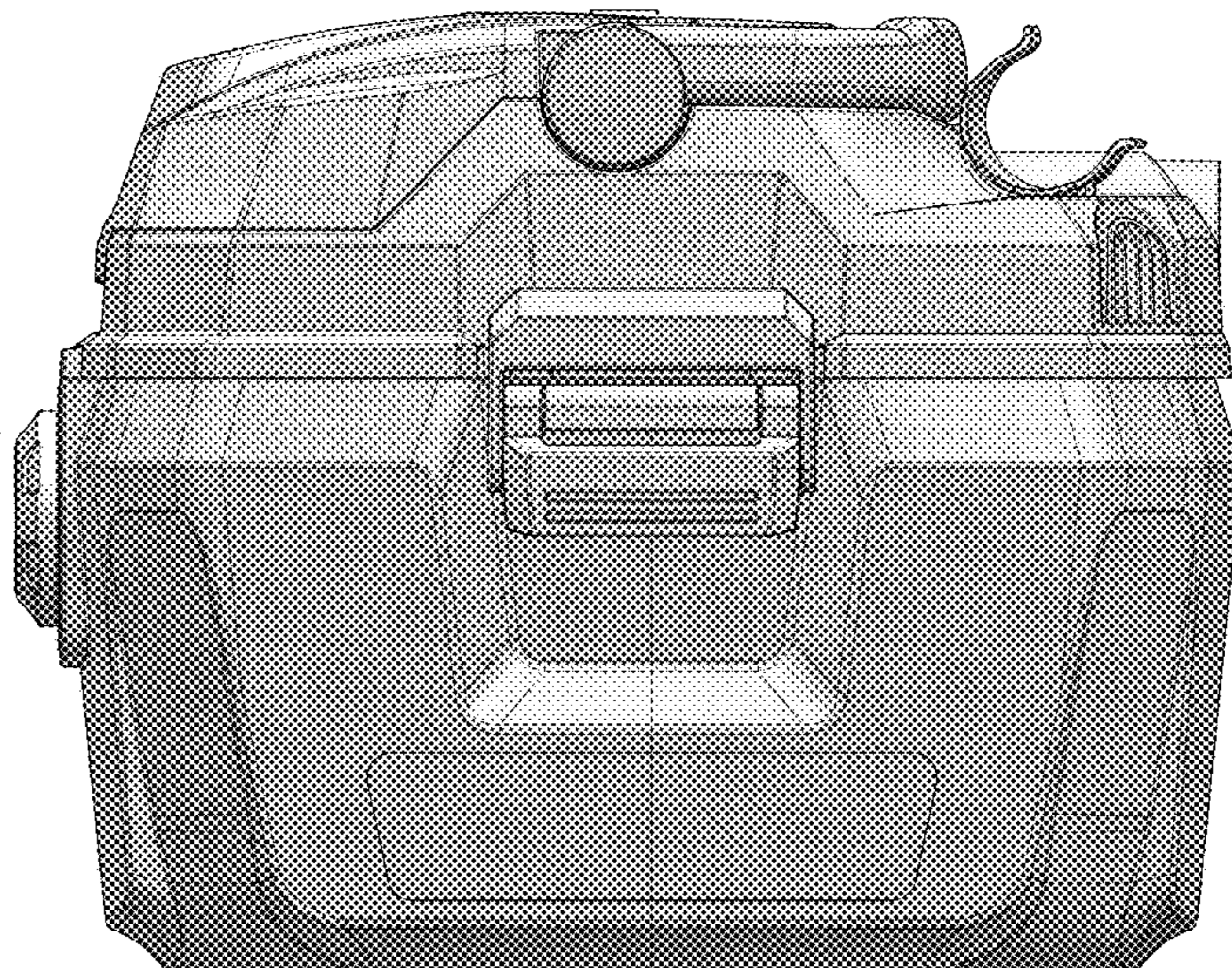
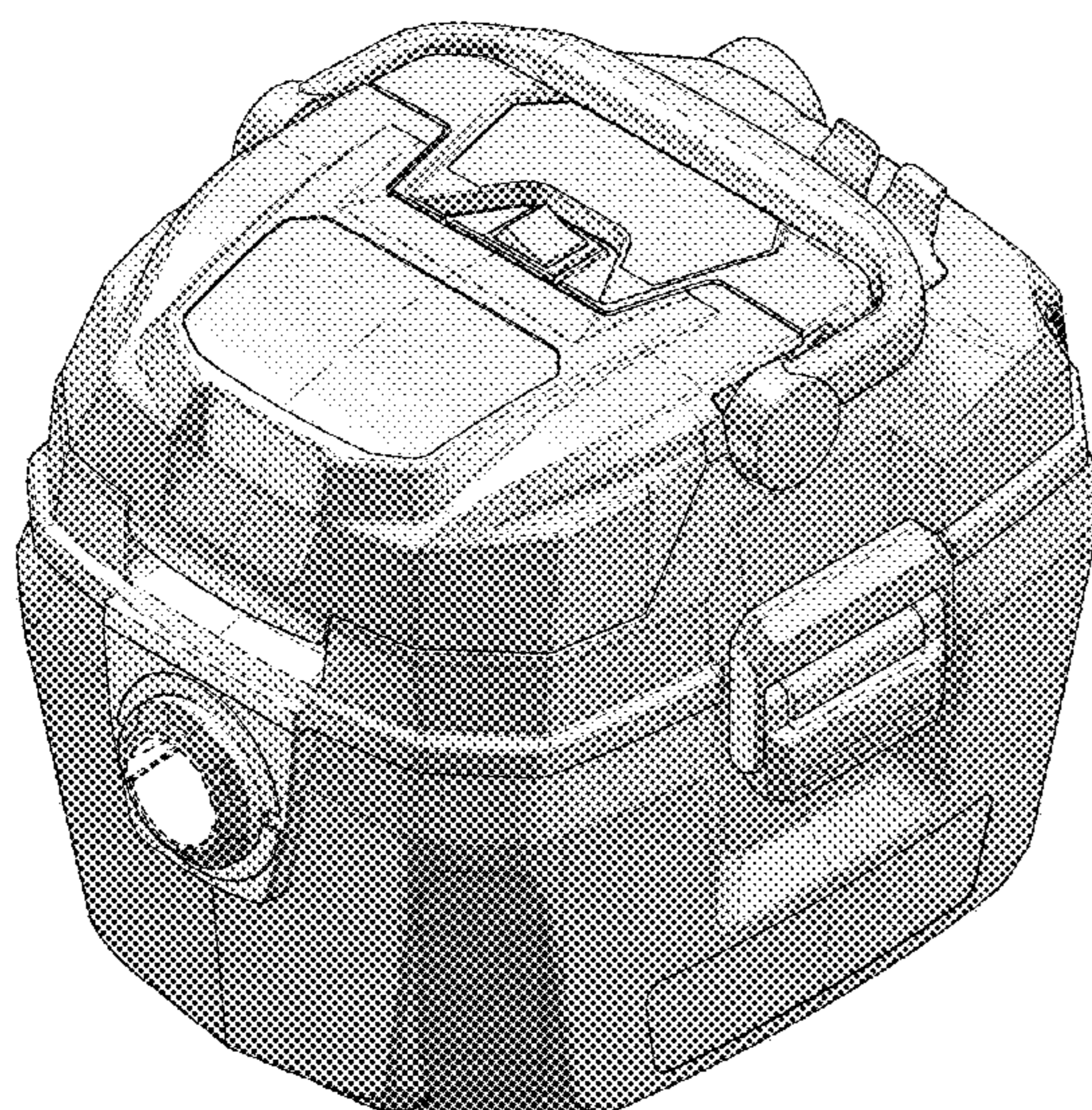
(57) **CLAIM**

The ornamental design for a vacuum cleaner, as shown and described.

**DESCRIPTION**

FIG. 1 is front perspective view of a vacuum cleaner according to the present invention.  
FIG. 2 is a rear perspective view thereof.  
FIG. 3 is a front view thereof.  
FIG. 4 is a rear view thereof.  
FIG. 5 is a left side view thereof.  
FIG. 6 is a right side view thereof; and,  
FIG. 7 is a top view thereof.  
The details shown in broken lines form no part of the claimed design.

**1 Claim, 7 Drawing Sheets**



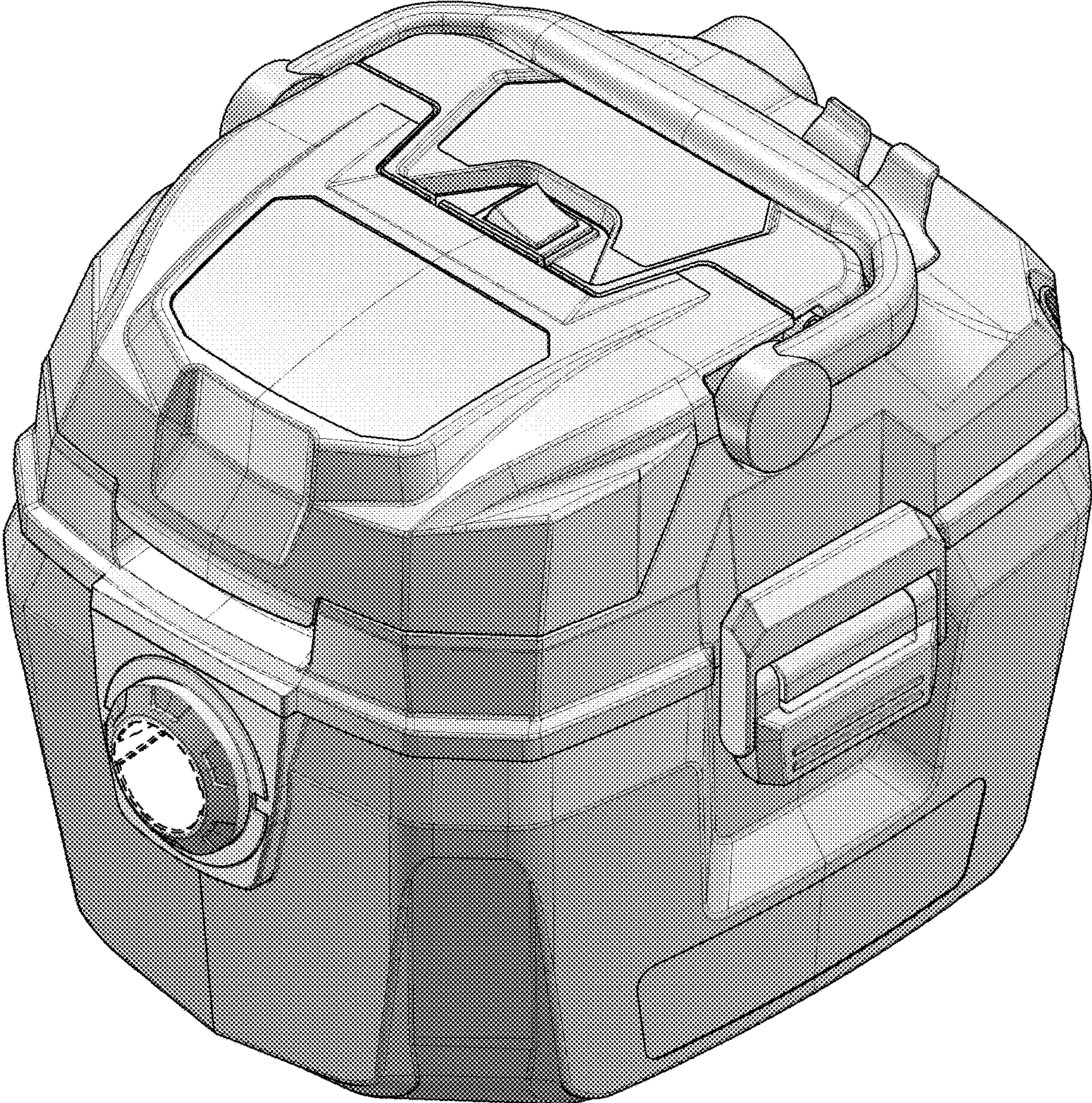


FIG. 1

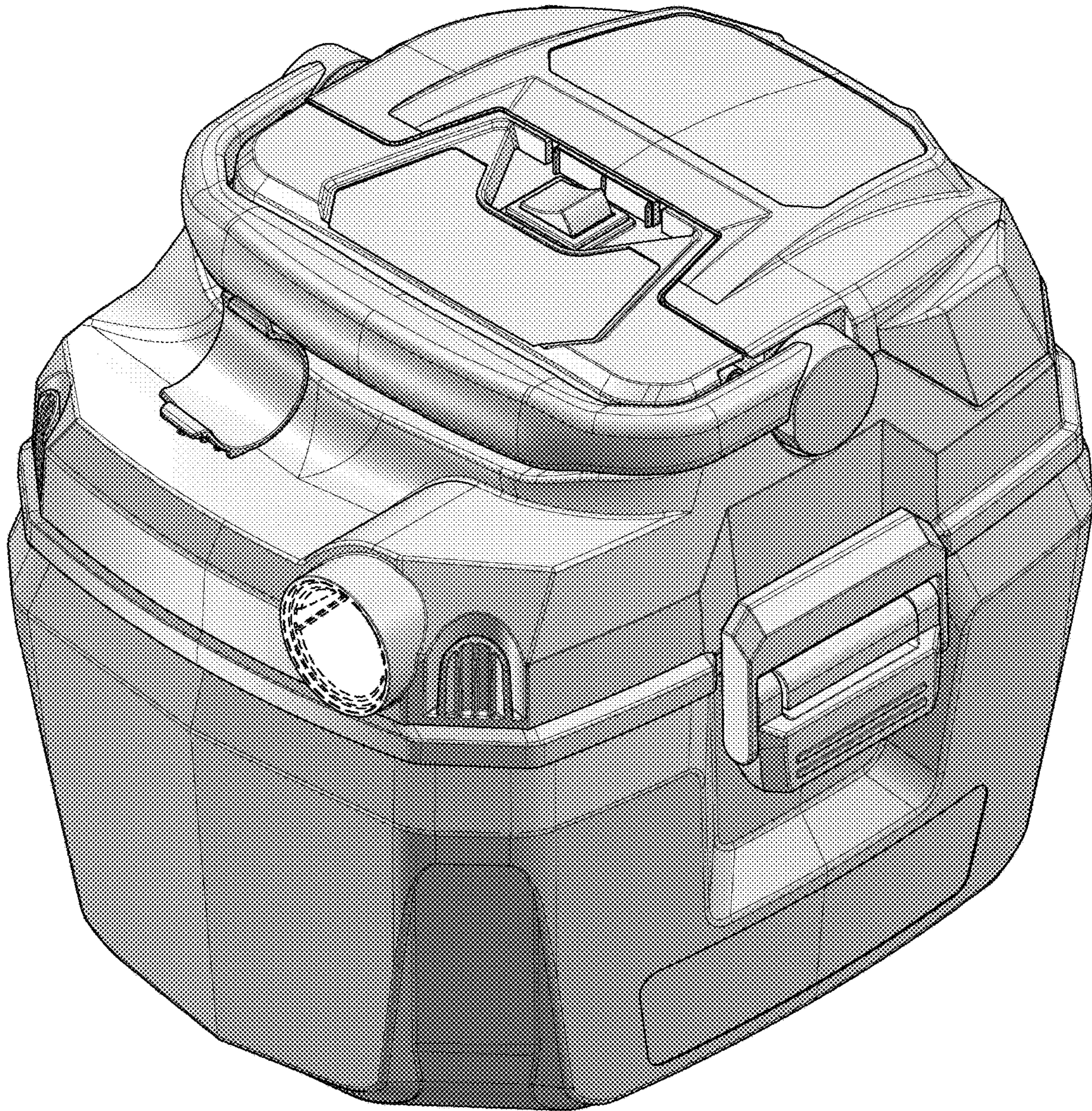


FIG. 2

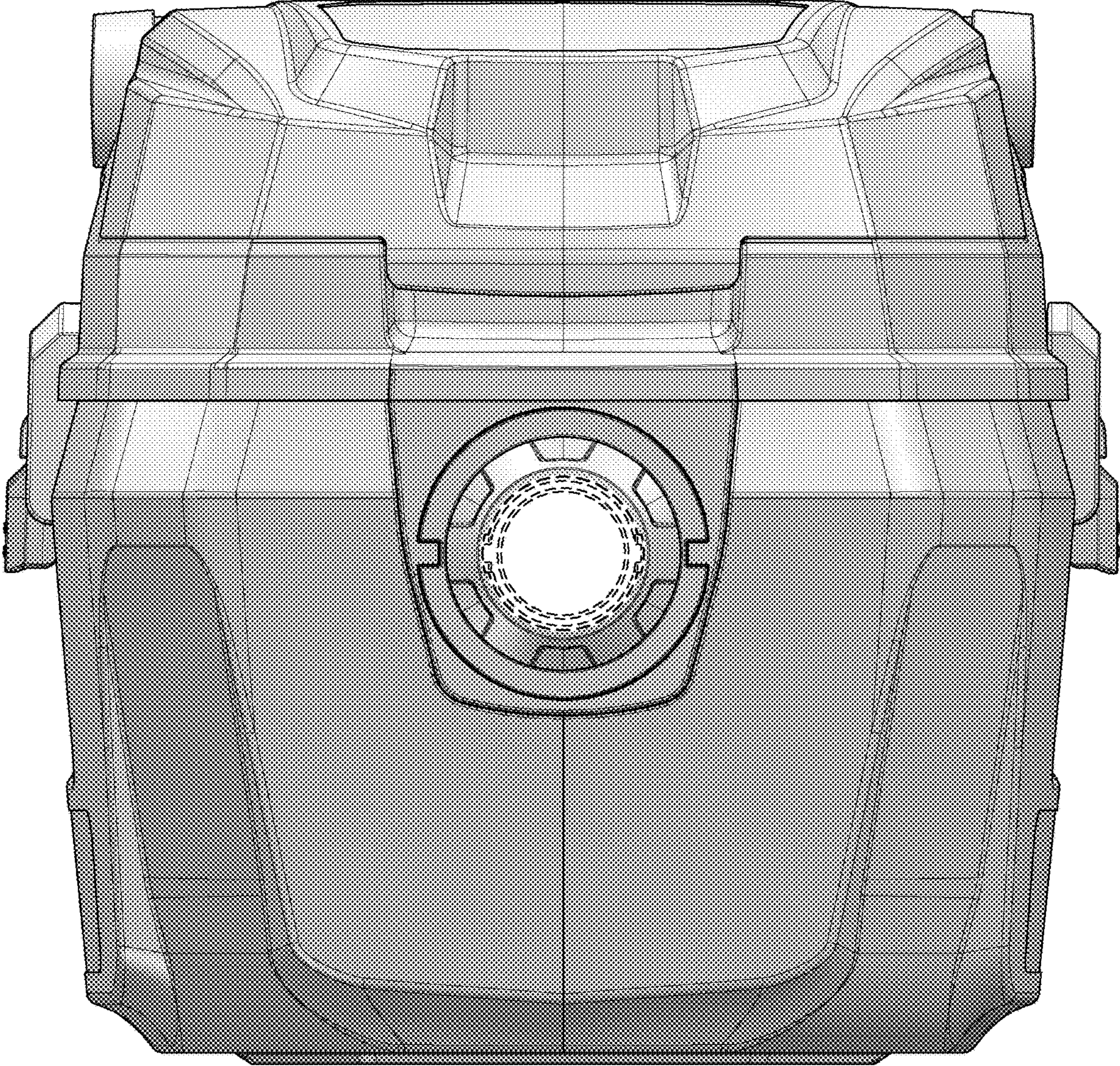


FIG. 3

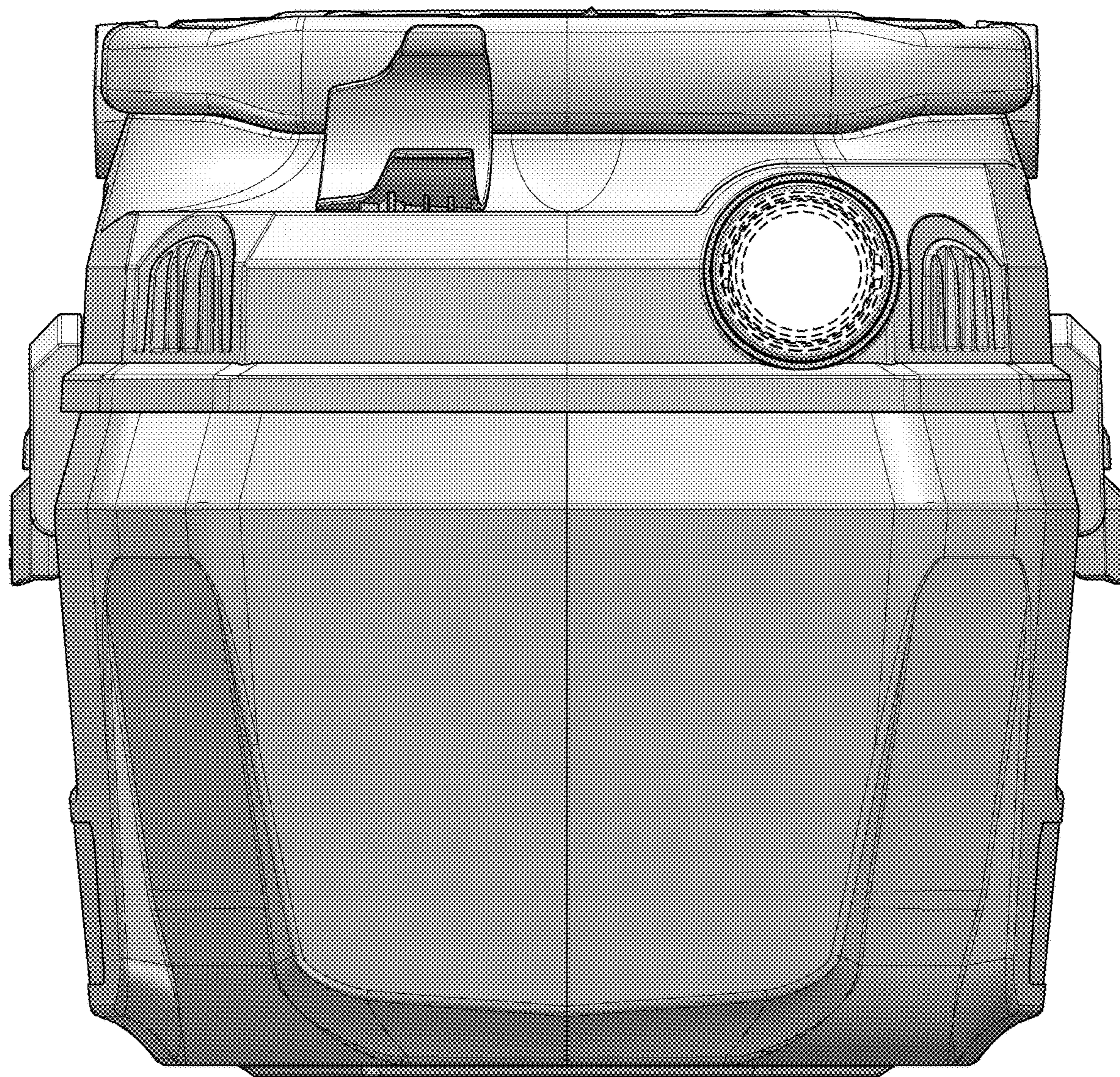


FIG. 4

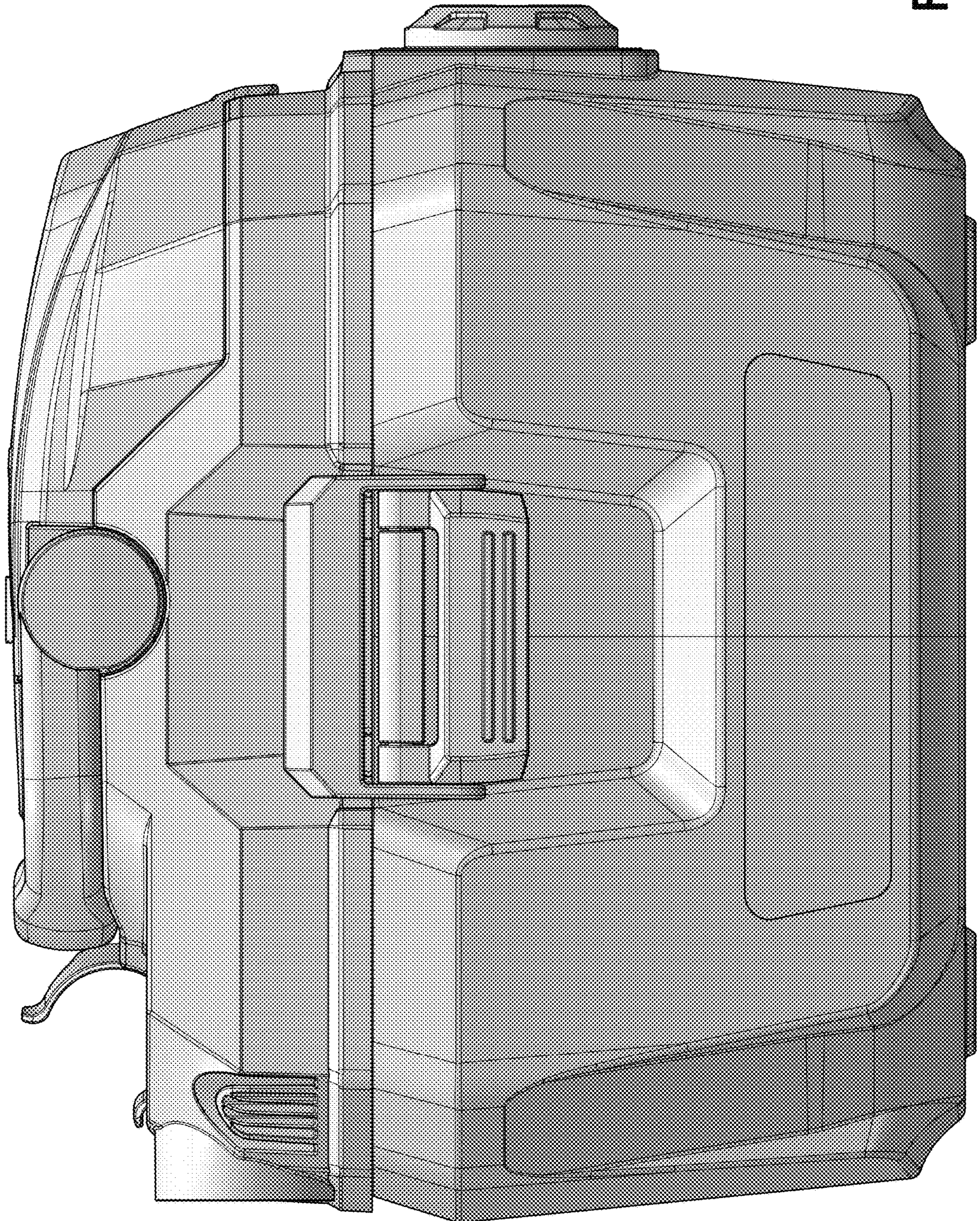


FIG. 5

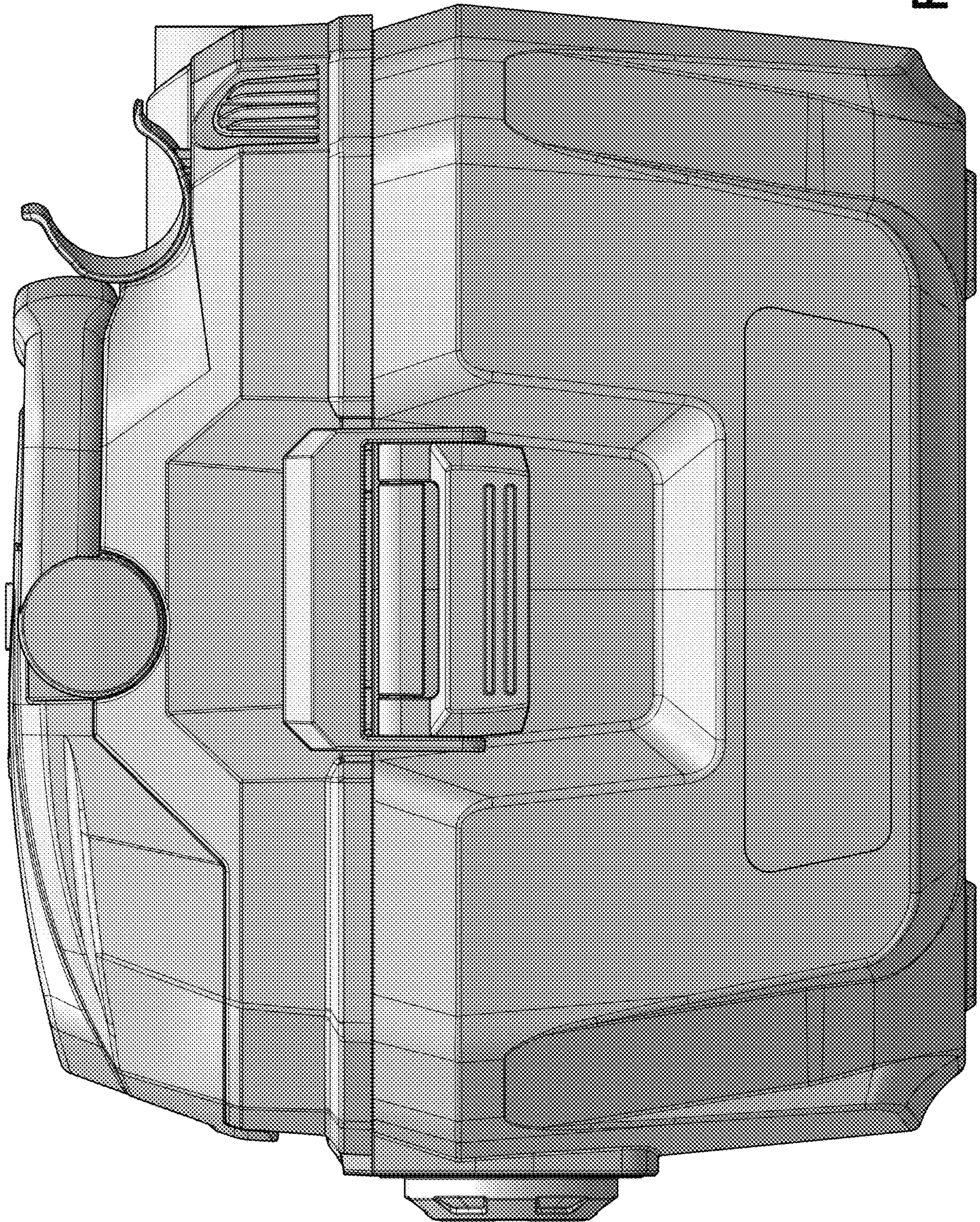


FIG. 6

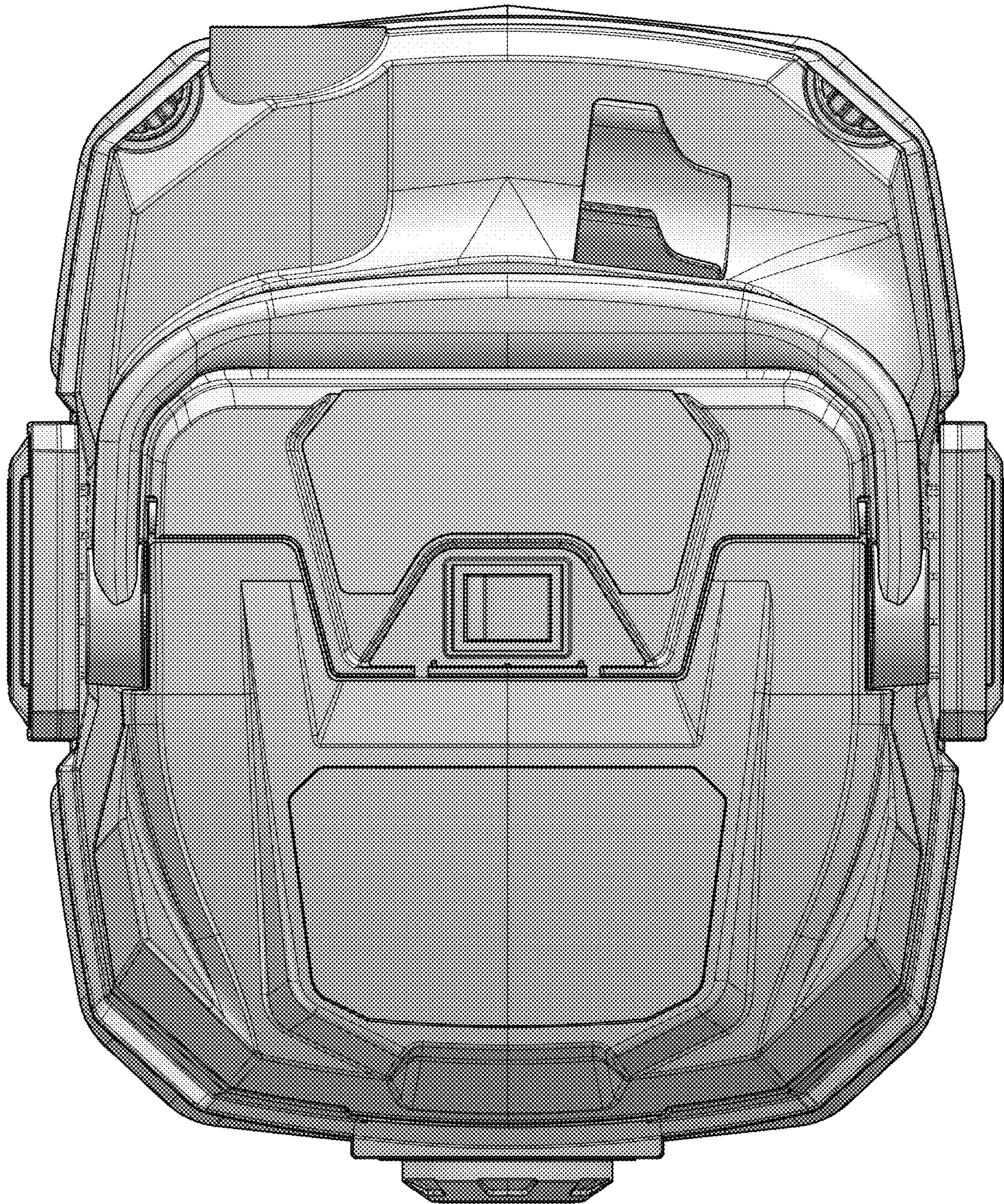


FIG. 7