



US00D876733S

(12) **United States Design Patent**
Hui

(10) **Patent No.:** **US D876,733 S**

(45) **Date of Patent:** **** Feb. 25, 2020**

(54) **WATER JET PROPULSION POOL CLEANER**

(71) Applicant: **COMPUROBOT TECHNOLOGY COMPANY, Dongguan (CN)**

(72) Inventor: **Wing-Tak Hui, Hong Kong (CN)**

(73) Assignee: **COMPUROBOT TECHNOLOGY COMPANY, Dongguan (CN)**

(**) Term: **15 Years**

(21) Appl. No.: **29/641,701**

(22) Filed: **Mar. 23, 2018**

(51) **LOC (12) Cl.** **15-05**

(52) **U.S. Cl.**
USPC **D32/21**

(58) **Field of Classification Search**
USPC 15/1.7; 210/416.2, 167.16, 167.15;
D32/18, 21, 32-33
CPC ... E04H 4/1609; E04H 4/1654; E04H 4/1663;
E04H 4/1672; E04H 4/169; E04H 4/1636
See application file for complete search history.

(56) **References Cited**

U.S. PATENT DOCUMENTS

D408,104 S *	4/1999	Adam	D32/21
D445,225 S *	7/2001	Schaub	D32/21
D526,101 S *	8/2006	Blanc-Tailleur	D32/16
D529,669 S *	10/2006	Blanc-Tailleur	D32/21
D575,915 S *	8/2008	Dreyer	D32/21
D598,168 S *	8/2009	Sumonthee	D32/21
D599,967 S *	9/2009	Blanc-Tailleur	D32/21
8,341,789 B2 *	1/2013	Garti	E04H 4/1654 15/1.7
8,510,889 B2 *	8/2013	Hui	E04H 4/1654 15/1.7
8,771,504 B2 *	7/2014	Mastio	E04H 4/1654 15/1.7
D721,460 S *	1/2015	Hanan	D32/21

9,222,275 B2 *	12/2015	Ben Dov	E04H 4/1654
9,359,782 B2 *	6/2016	Hui	E04H 4/1654
9,506,262 B2 *	11/2016	Tavor	E04H 4/1654
9,527,537 B2 *	12/2016	Bernini	E04H 4/1654
9,790,700 B2 *	10/2017	Tamar	H02K 7/1823
9,809,989 B2 *	11/2017	Blanc Tailleur	E04H 4/1654
9,809,990 B1 *	11/2017	Hui	E04H 4/1654
9,902,477 B1 *	2/2018	Durvasula	B63C 11/42
9,995,050 B2 *	6/2018	Durvasula	E04H 4/1654
10,053,883 B2 *	8/2018	Hui	E04H 4/1654
10,167,650 B2 *	1/2019	Torem	E04H 4/1654

* cited by examiner

Primary Examiner — Ruth McInroy

(74) *Attorney, Agent, or Firm* — Weiss & Moy. P.C.;
Jeffrey D. Moy

(57) **CLAIM**

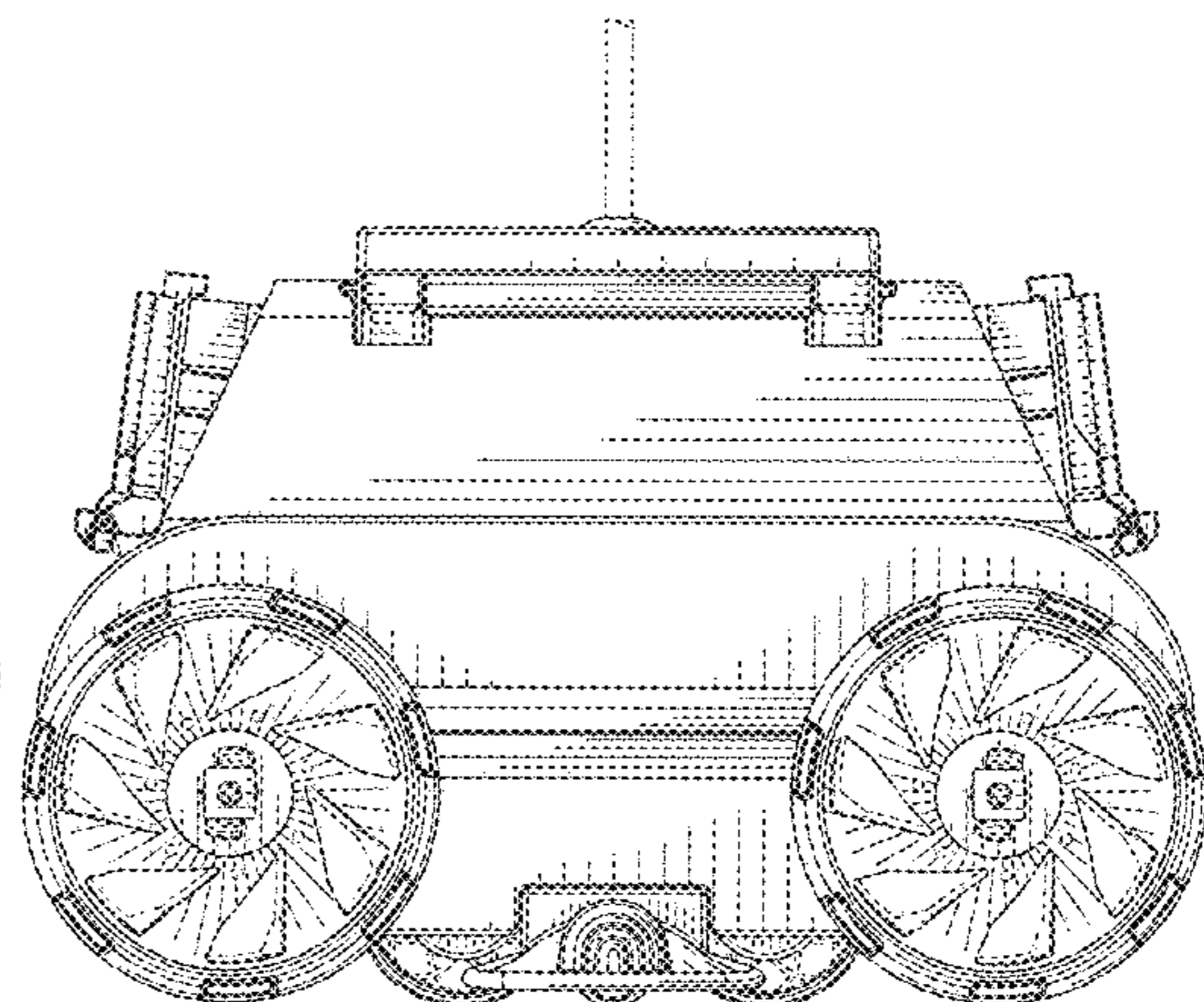
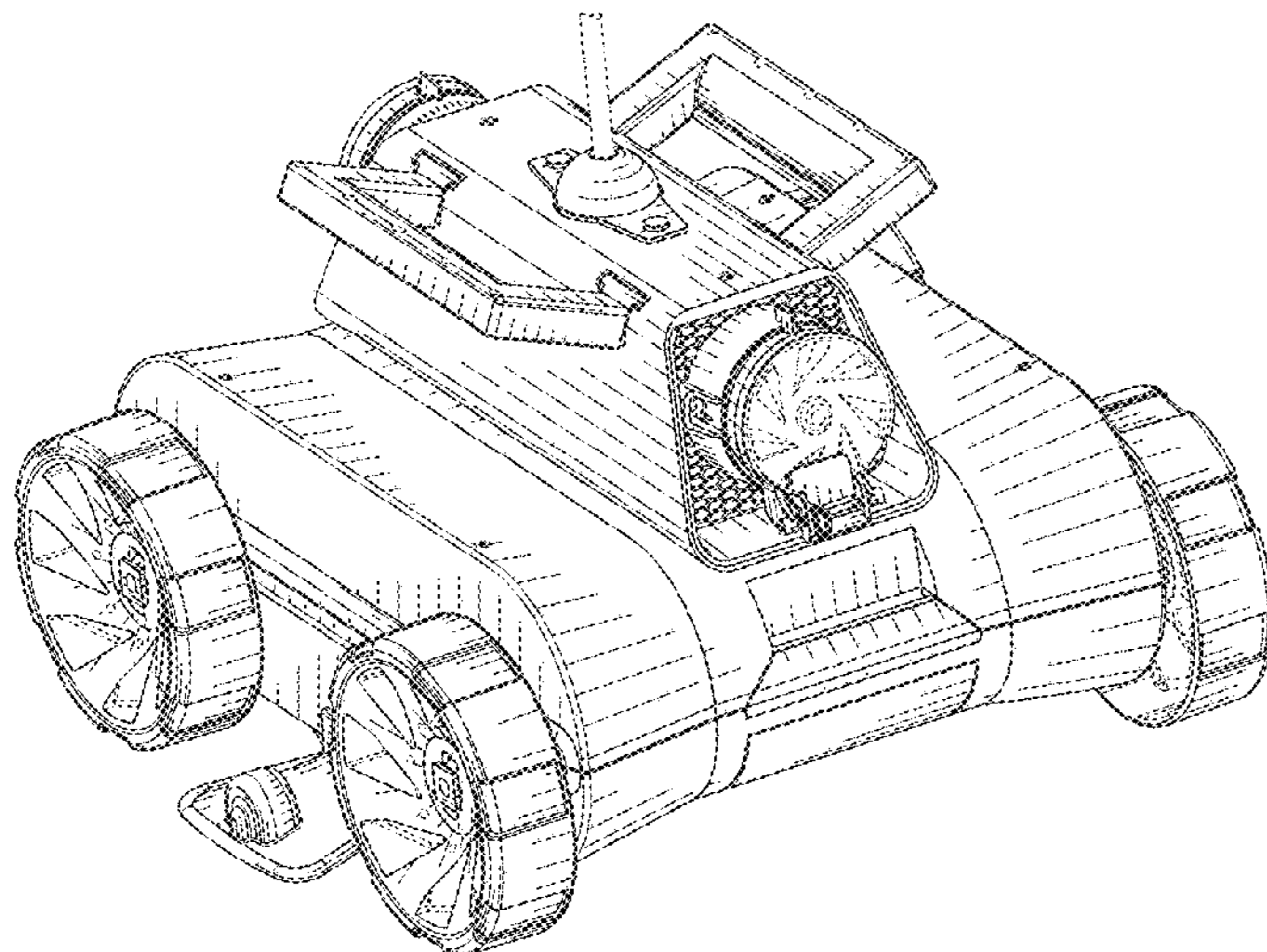
I claim the ornamental design for a water jet propulsion pool cleaner, as shown and described.

DESCRIPTION

FIG. 1 is a perspective view of a water jet propulsion pool cleaner;
FIG. 2 is a front view of the water jet propulsion pool cleaner;
FIG. 3 is a rear view of the water jet propulsion pool cleaner;
FIG. 4 is a left-side view of the water jet propulsion pool cleaner;
FIG. 5 is a right-side view of the water jet propulsion pool cleaner;
FIG. 6 is a top view of the water jet propulsion pool cleaner;
and,
FIG. 7 is a bottom view of the water jet propulsion pool cleaner.

The broken lines in the drawings depict portions of the water jet propulsion pool cleaner that form no part of the claimed design.

1 Claim, 7 Drawing Sheets



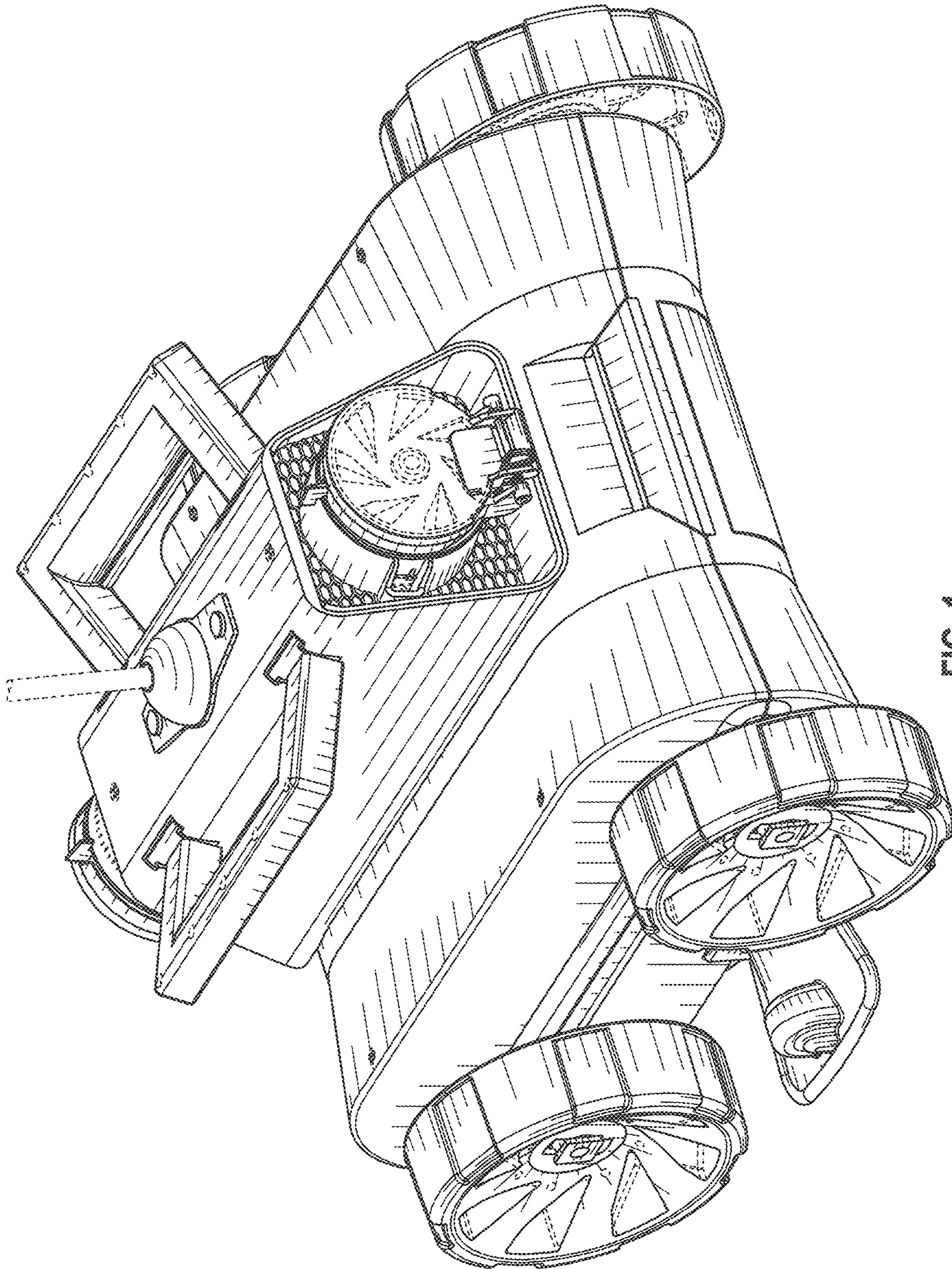


FIG. 1

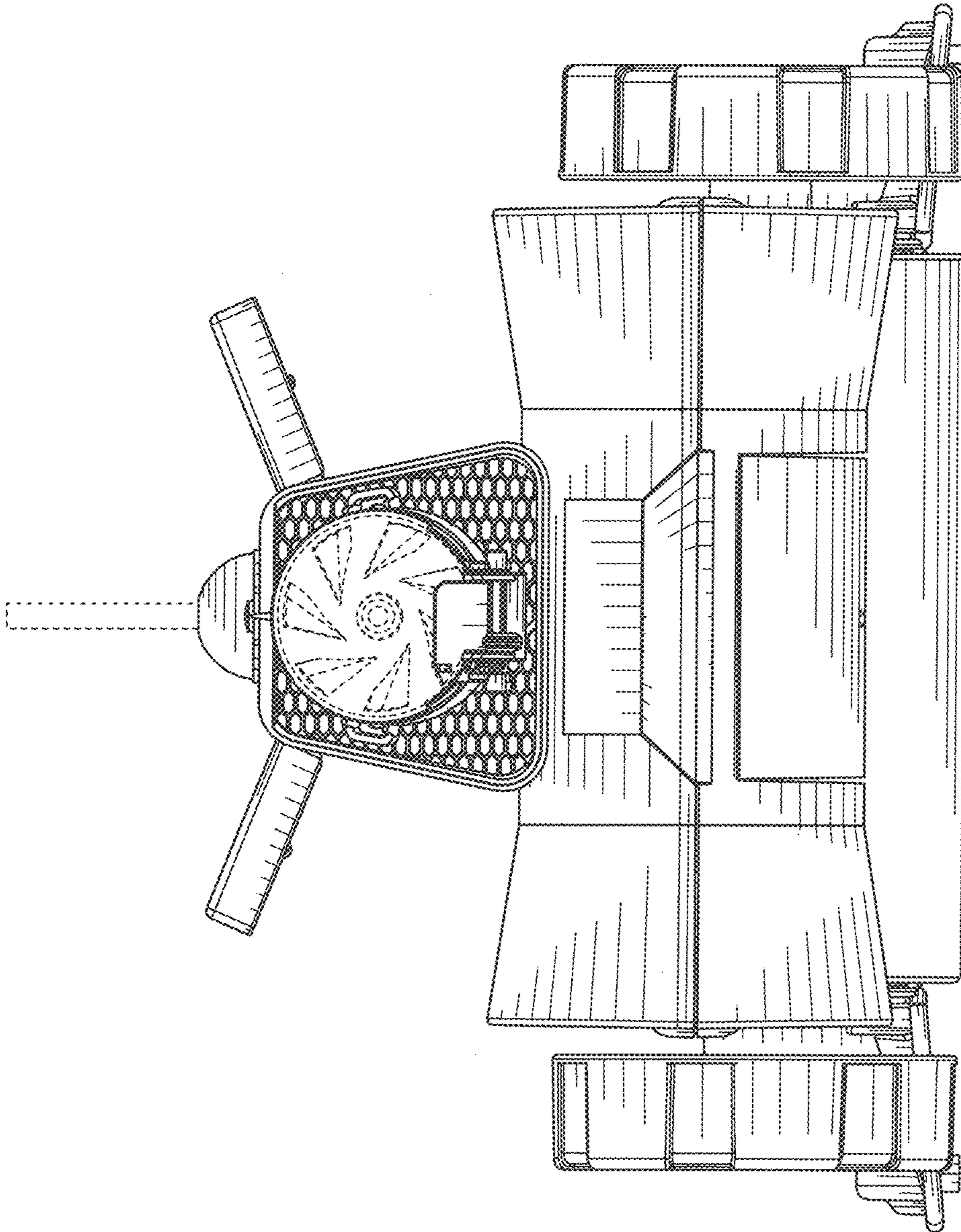


FIG. 2

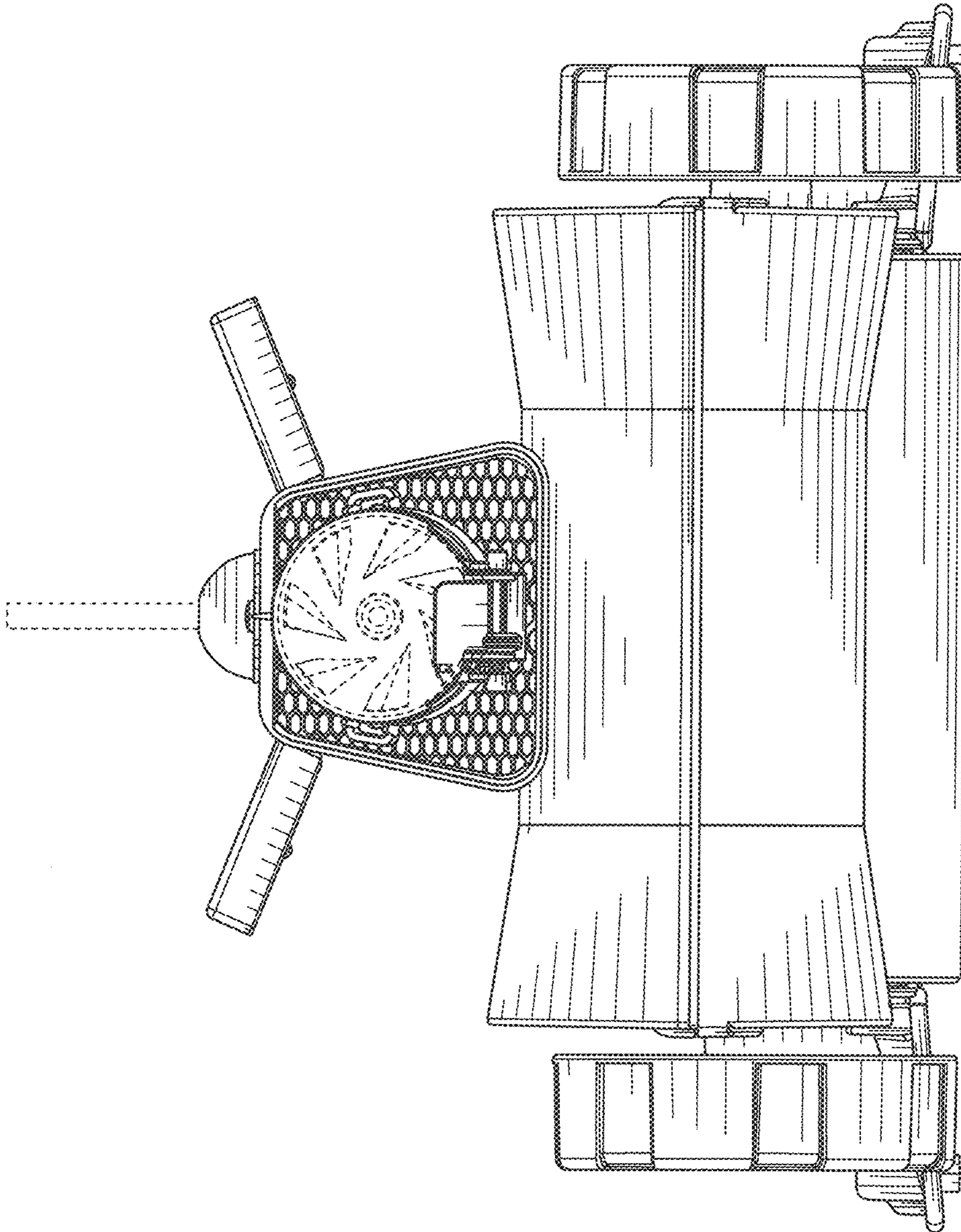


FIG. 3

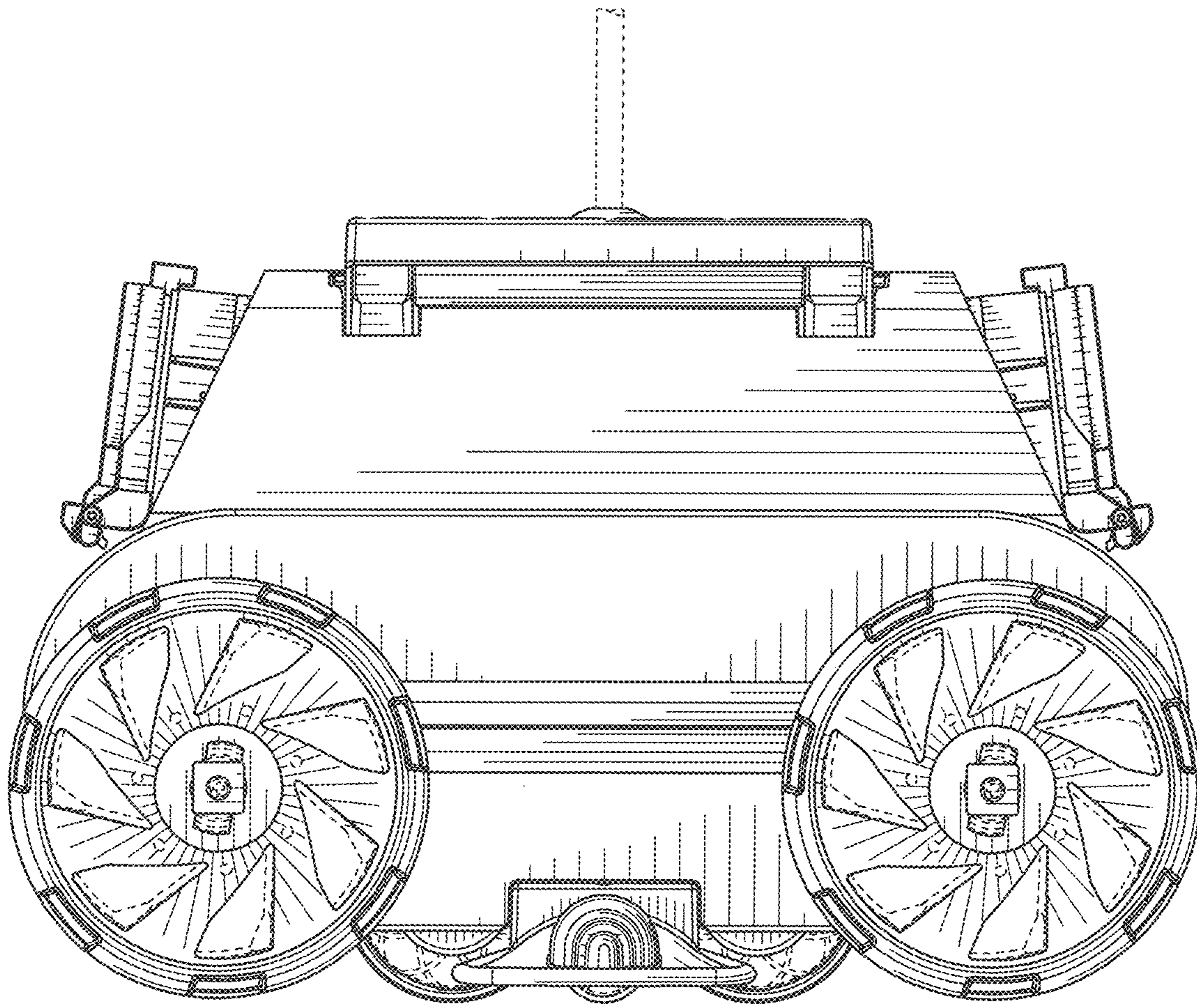


FIG. 4

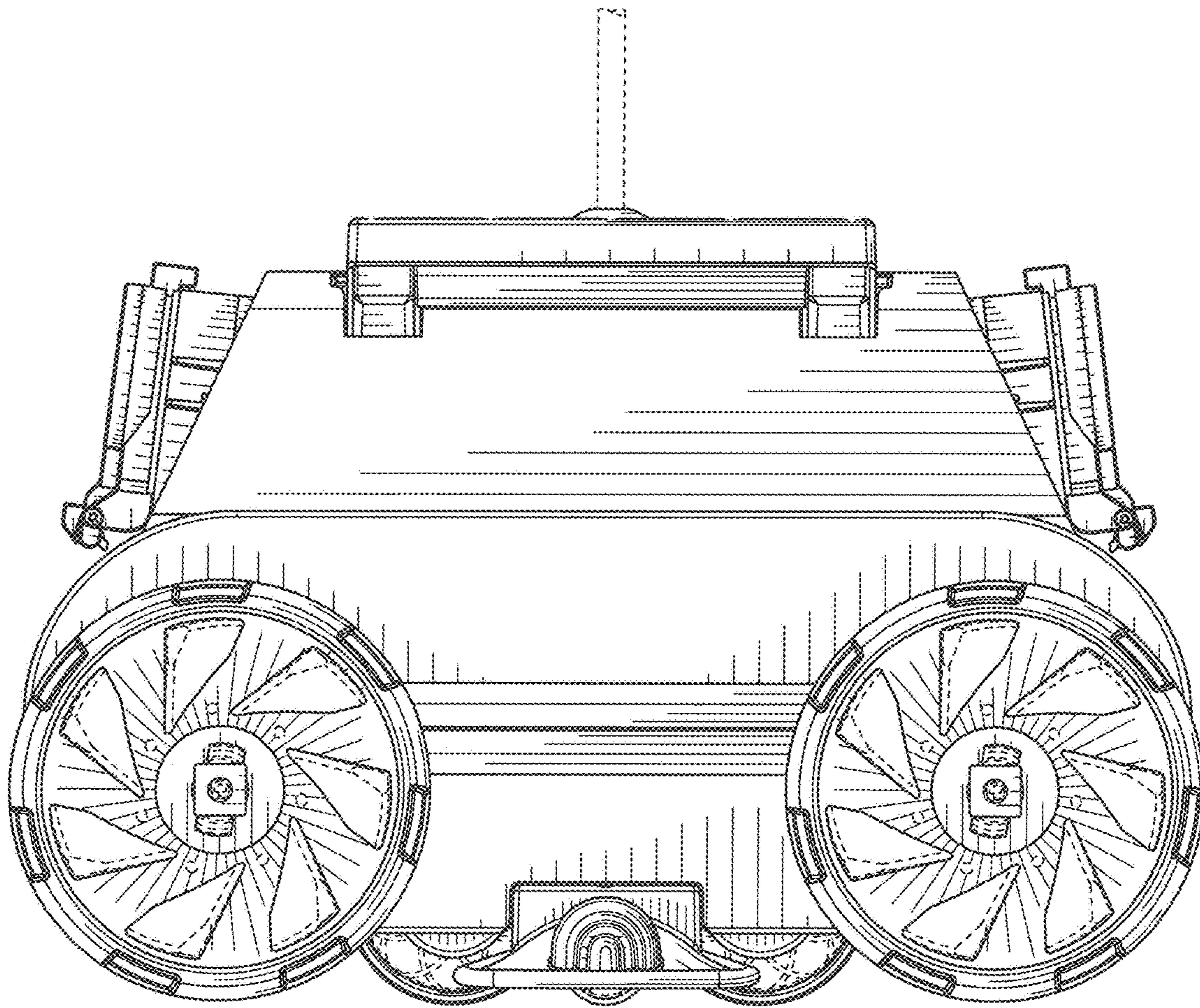


FIG. 5

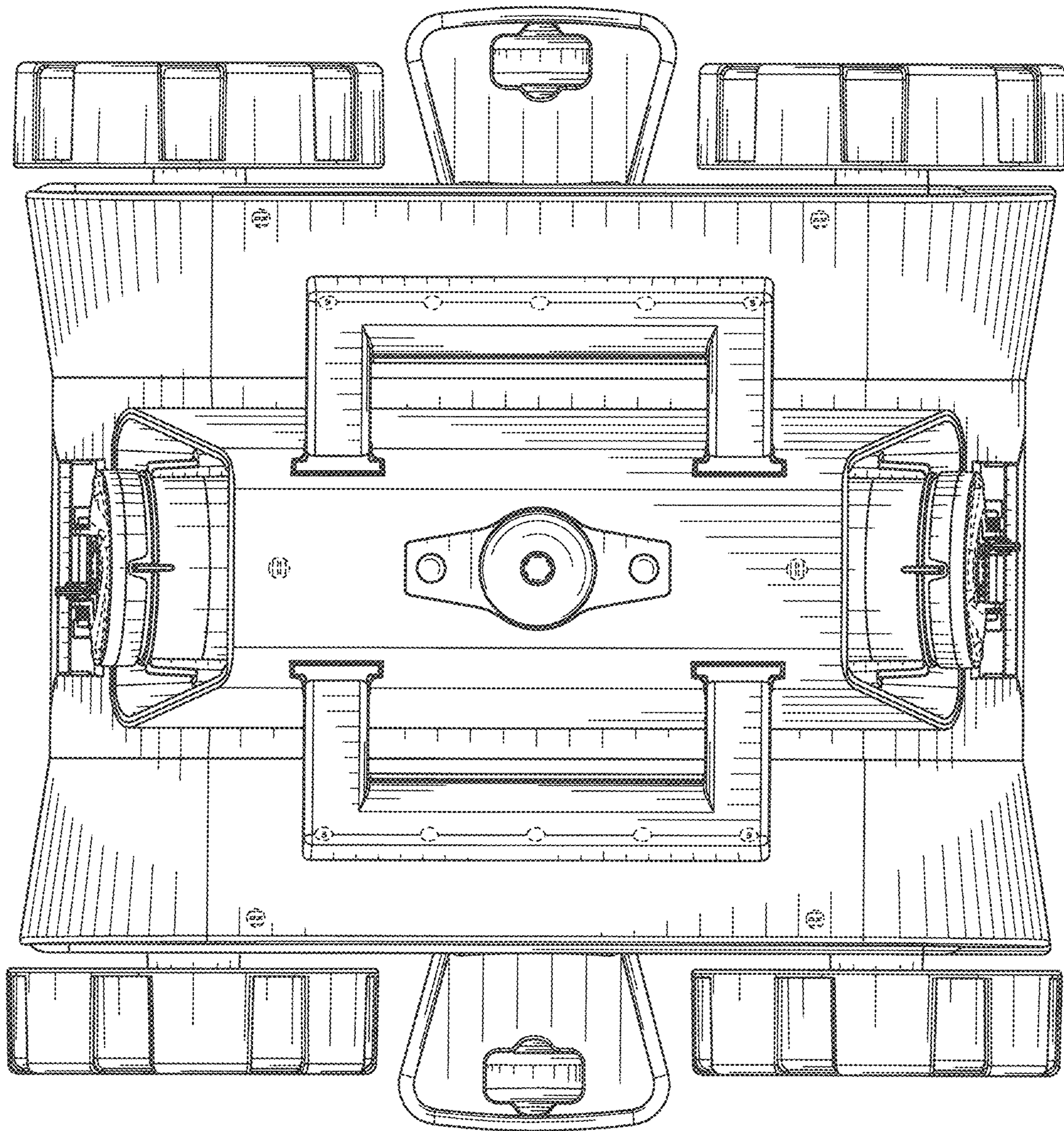


FIG. 6

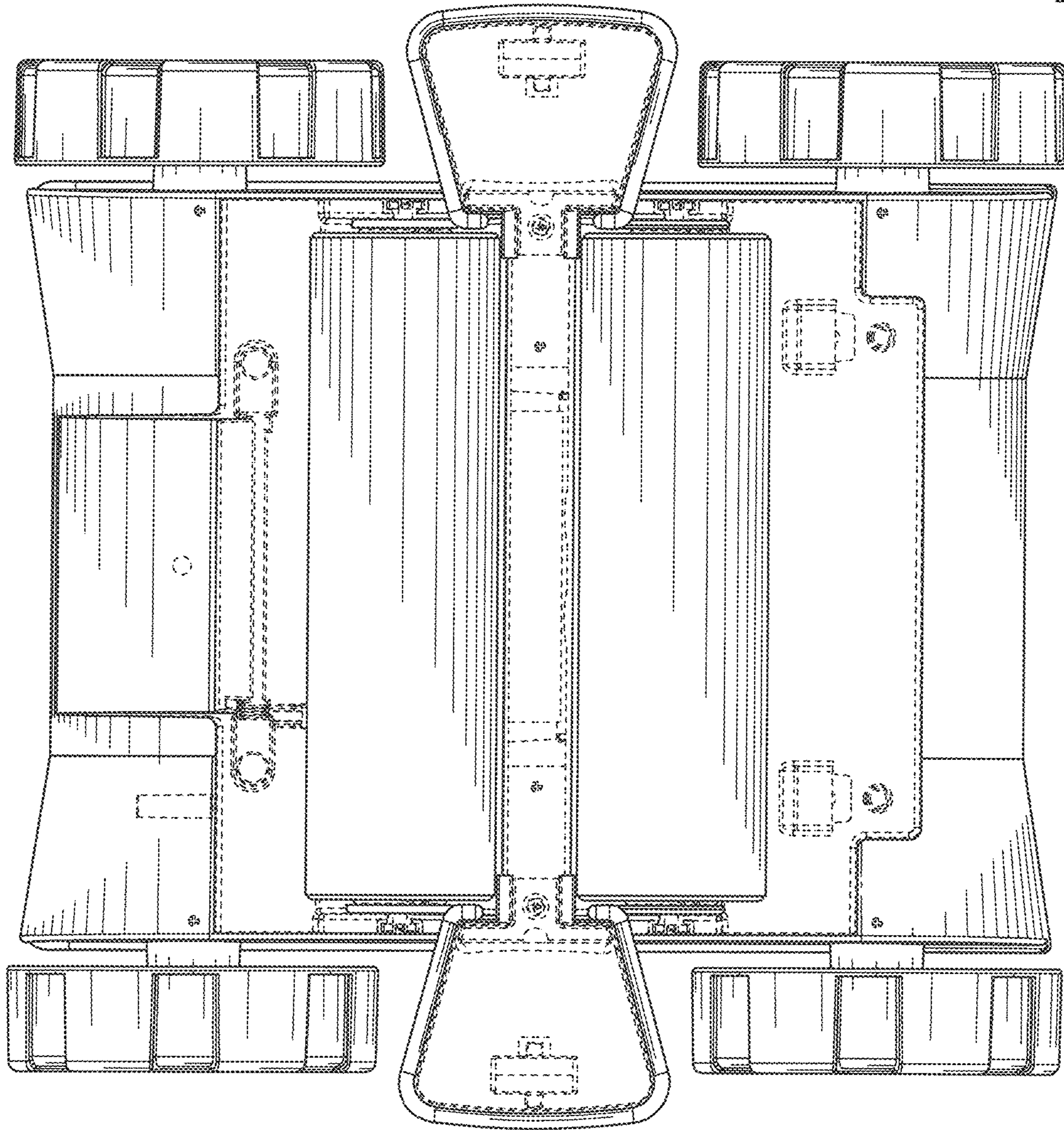


FIG. 7