



US00D876732S

(12) **United States Design Patent**
Shin et al.

(10) **Patent No.:** **US D876,732 S**

(45) **Date of Patent:** **** Feb. 25, 2020**

(54) **WASHING MACHINE**

(71) Applicant: **SAMSUNG ELECTRONICS CO., LTD.**, Suwon-si (KR)

(72) Inventors: **Dong-Ju Shin**, Seoul (KR);
Kyoung-Min Lee, Goyang-si (KR)

(73) Assignee: **SAMSUNG ELECTRONICS CO., LTD.**, Gyeonggi-Do (KR)

D492,073 S *	6/2004	Sneddon	D32/6
D527,150 S *	8/2006	Jun	D32/6
D527,853 S *	9/2006	Carey	D32/6
D532,941 S *	11/2006	Carey	D32/6
D538,488 S *	3/2007	Carey	D32/6
D542,487 S *	5/2007	Jun	D32/6
D556,394 S *	11/2007	Kim	D32/6
D575,012 S *	8/2008	Rossetto	D32/6
D630,807 S *	1/2011	Song	D32/6
D632,033 S *	2/2011	Song	D32/6
D633,261 S *	2/2011	Song	D32/6

(Continued)

(**) Term: **15 Years**

(21) Appl. No.: **29/648,553**

(22) Filed: **May 22, 2018**

(30) **Foreign Application Priority Data**

Dec. 4, 2017 (KR) 30-2017-0057166

(51) **LOC (12) Cl.** **15-05**

(52) **U.S. Cl.**
USPC **D32/6**

(58) **Field of Classification Search**

USPC D32/1, 5, 6, 8, 12, 25, 28, 29
CPC D06F 33/02; D06F 39/02; D06F 2204/065;
D06F 25/00; D06F 35/006; D06F 58/00;
D06F 58/02; D06F 58/04; D06F 58/20;
D06F 23/04; D06F 39/12; D06F 39/022;
G05B 58/042

See application file for complete search history.

(56) **References Cited**

U.S. PATENT DOCUMENTS

4,307,588 A *	12/1981	Smith	D06F 39/12
				312/257.1
4,429,817 A *	2/1984	Ikeda	D06F 39/022
				222/252
D359,602 S *	6/1995	Swartz	D32/6
D360,500 S *	7/1995	Millet	D32/5
6,618,887 B2 *	9/2003	Kim	D06F 23/04
				68/23.1

FOREIGN PATENT DOCUMENTS

KR 300788487 3/2015

Primary Examiner — Michelle E. Wilson

(74) *Attorney, Agent, or Firm* — Cantor Colburn LLP

(57) **CLAIM**

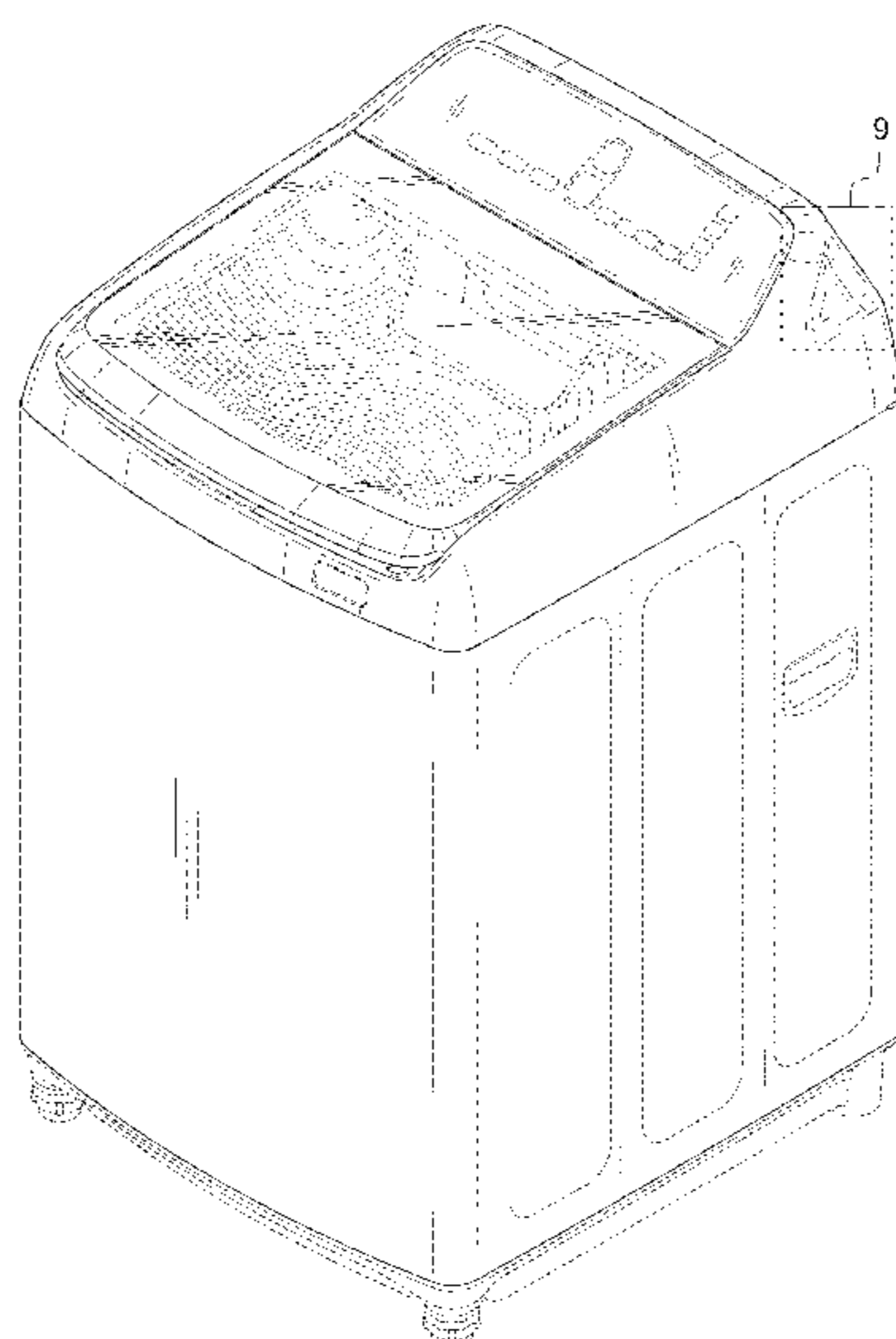
The ornamental design for a washing machine, as shown and described.

DESCRIPTION

FIG. 1 is a front perspective view of a washing machine, showing our new design;
 FIG. 2 is a front view thereof;
 FIG. 3 is a rear view thereof;
 FIG. 4 is a left-side view thereof;
 FIG. 5 is a right-side view thereof;
 FIG. 6 is a top view thereof;
 FIG. 7 is a bottom view thereof;
 FIG. 8 is a rear perspective view thereof;
 FIG. 9 is an enlarged view of the portion 9 in FIG. 1; and,
 FIG. 10 is an enlarged view of the portion 9 in FIG. 8.

The even-dash broken lines illustrating portions of the washing machine form no part of the claimed design. The dot-dash broken lines encircling enlargement portions of the claimed design form no part of the claimed design.

1 Claim, 10 Drawing Sheets



(56)

References Cited

U.S. PATENT DOCUMENTS

D654,640	S	*	2/2012	Song	D32/6
D679,462	S	*	4/2013	Zhang	D32/6
D694,965	S	*	12/2013	Lee	D32/6
D699,907	S	*	2/2014	Choi	D32/28
D701,656	S	*	3/2014	Choi	D32/6
D729,998	S	*	5/2015	Jeon	D32/6
D739,096	S	*	9/2015	Qin	D32/6
D759,325	S	*	6/2016	Jeon	D32/6
D759,912	S		6/2016	Bixby et al.		
D760,454	S	*	6/2016	Joo	D32/6
D761,502	S	*	7/2016	Joo	D32/6
D761,503	S	*	7/2016	Choi	D32/6
D762,021	S	*	7/2016	Qin	D32/6
D762,025	S	*	7/2016	Joo	D32/6
D764,121	S	*	8/2016	Choi	D32/6
D772,505	S	*	11/2016	Bixby	D32/25
D772,506	S	*	11/2016	Bixby	D32/25
D774,713	S		12/2016	Bixby et al.		

* cited by examiner

FIG. 1

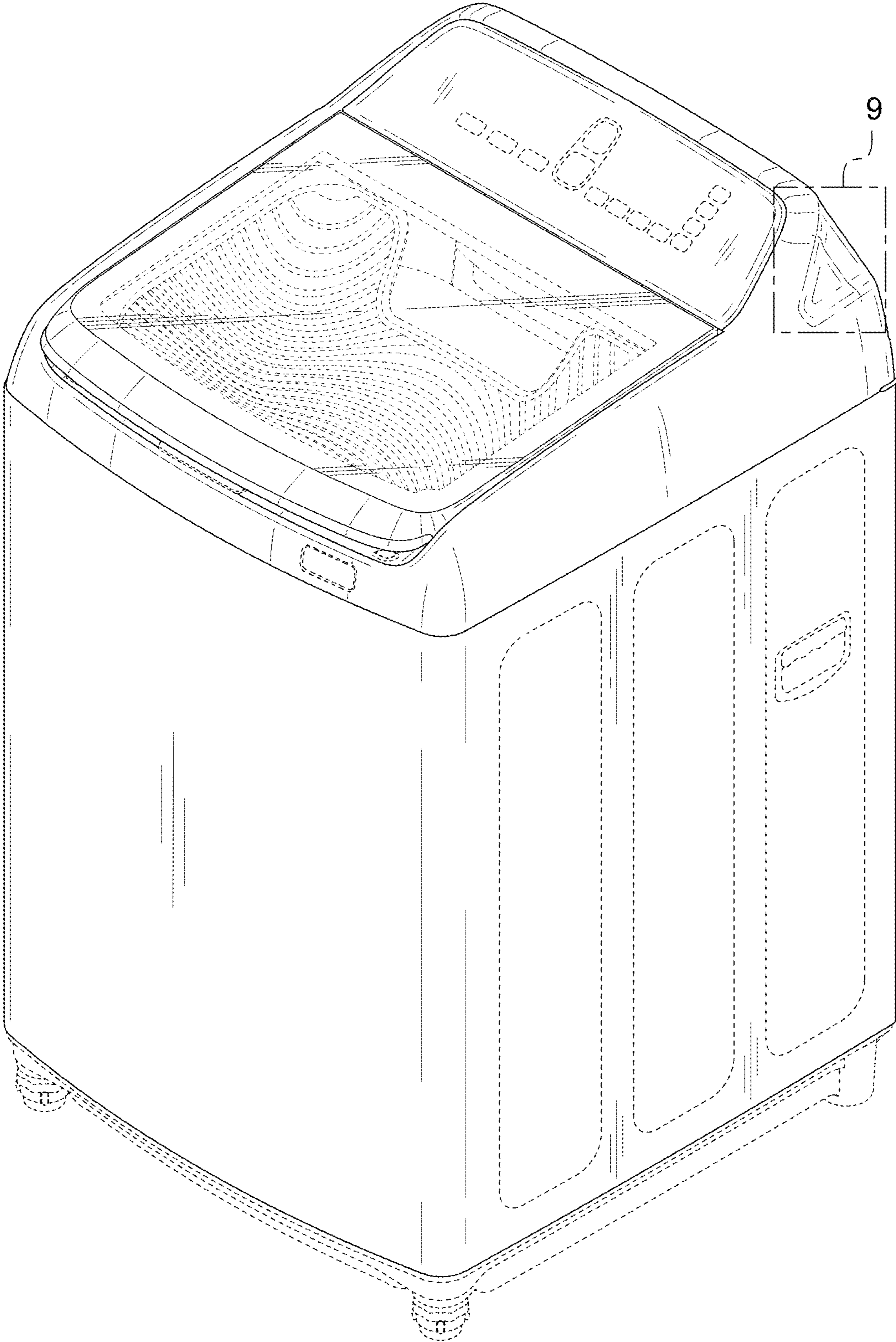


FIG. 2

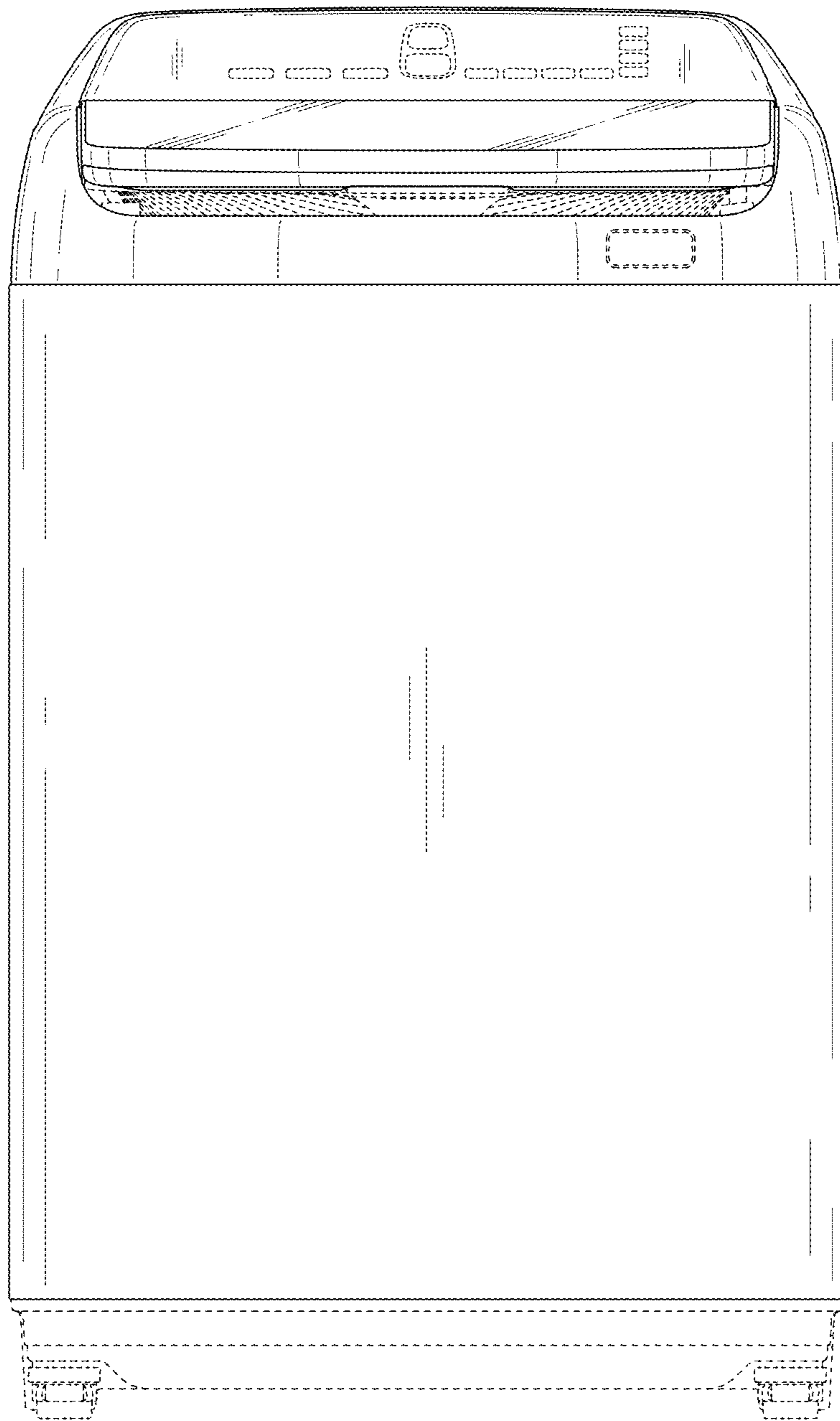


FIG. 3

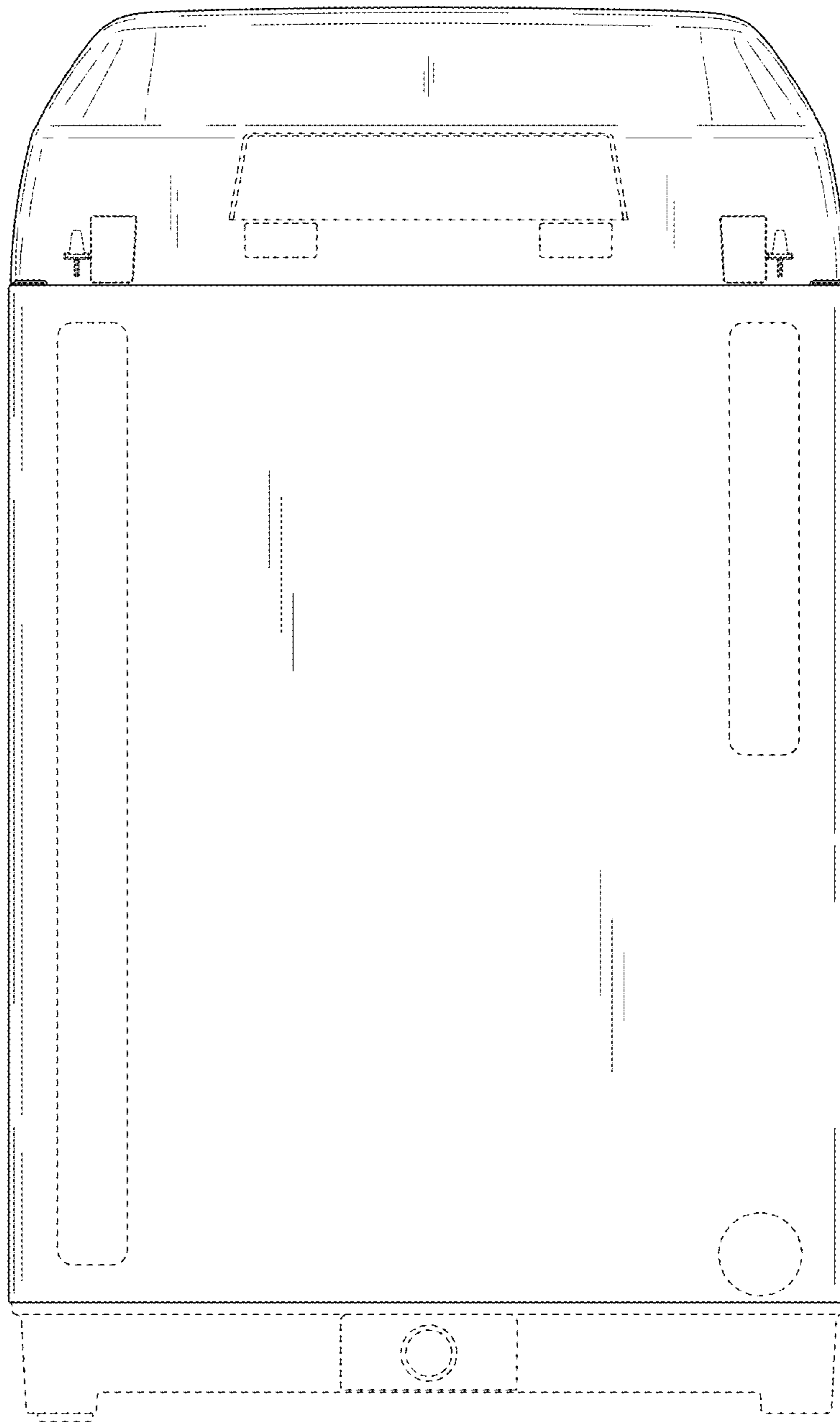


FIG. 4

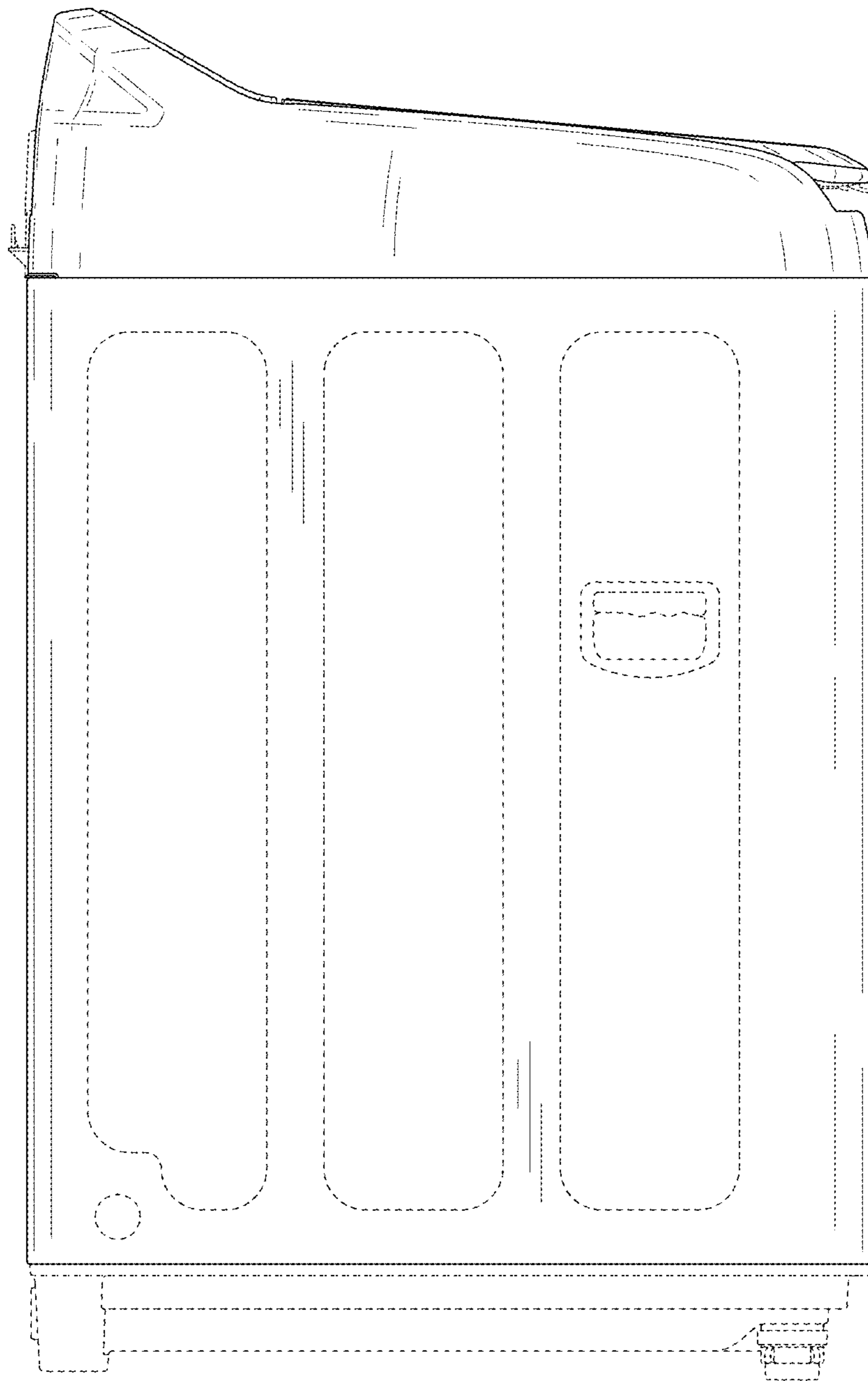


FIG. 5

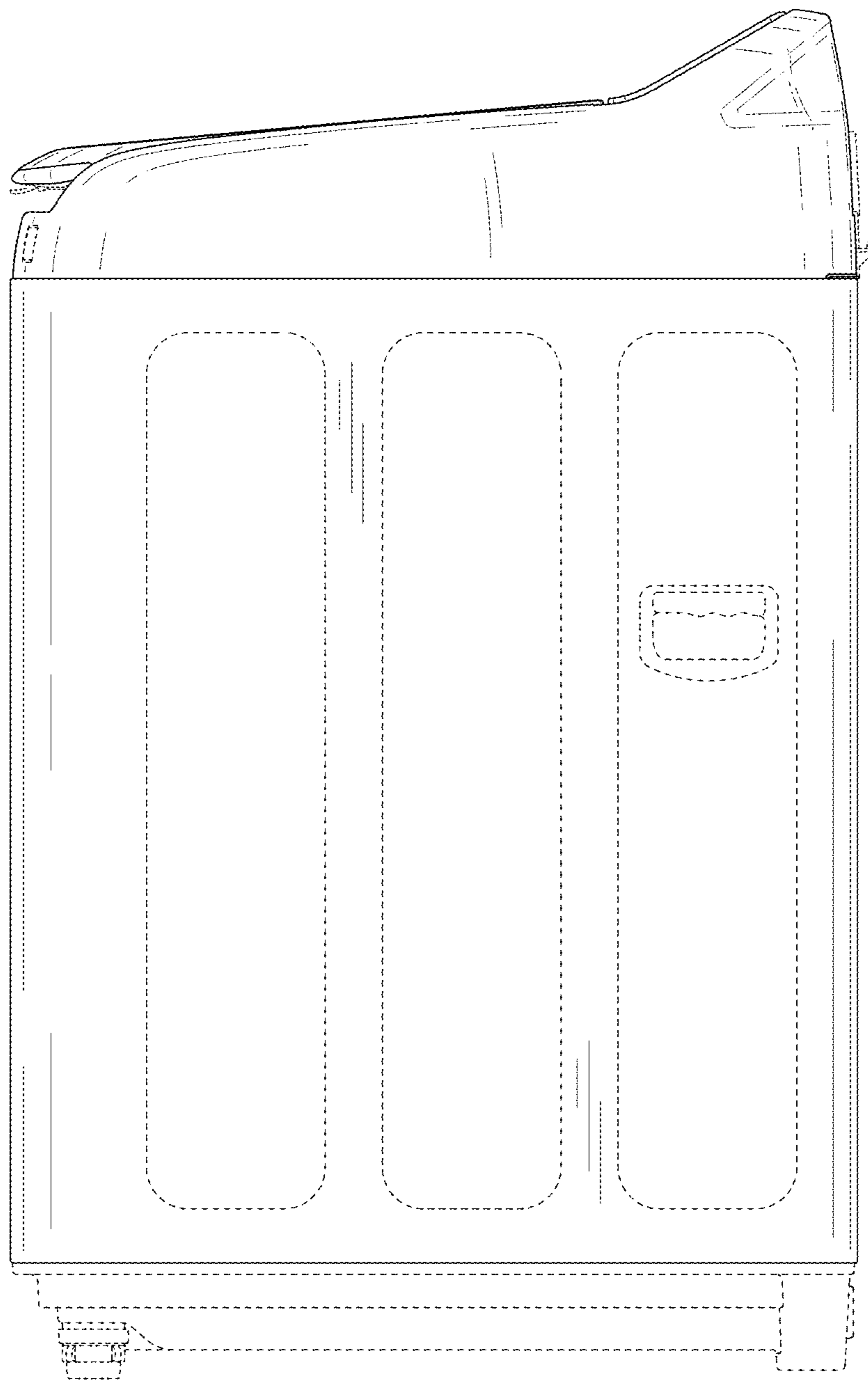


FIG. 6

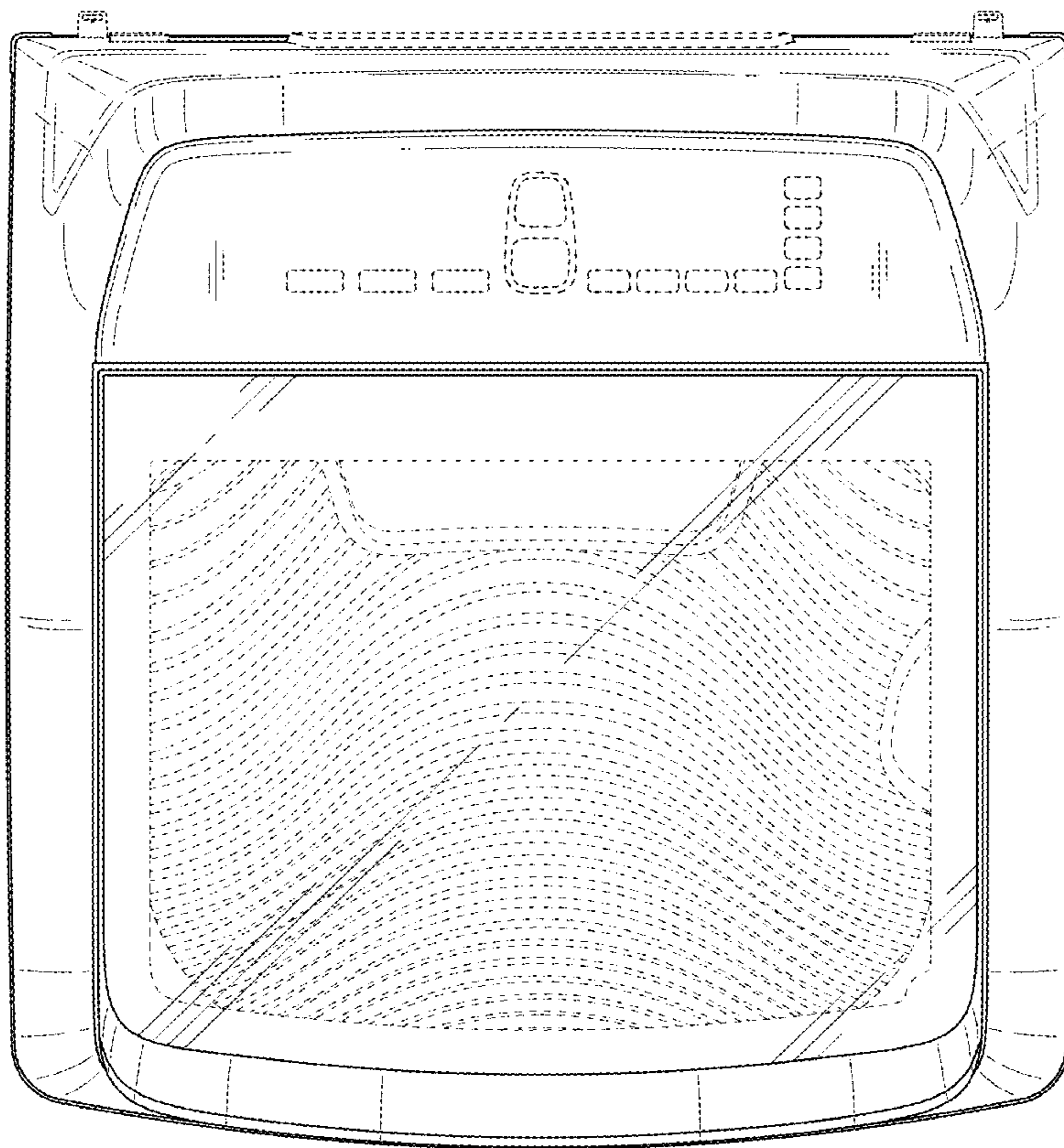


FIG. 7

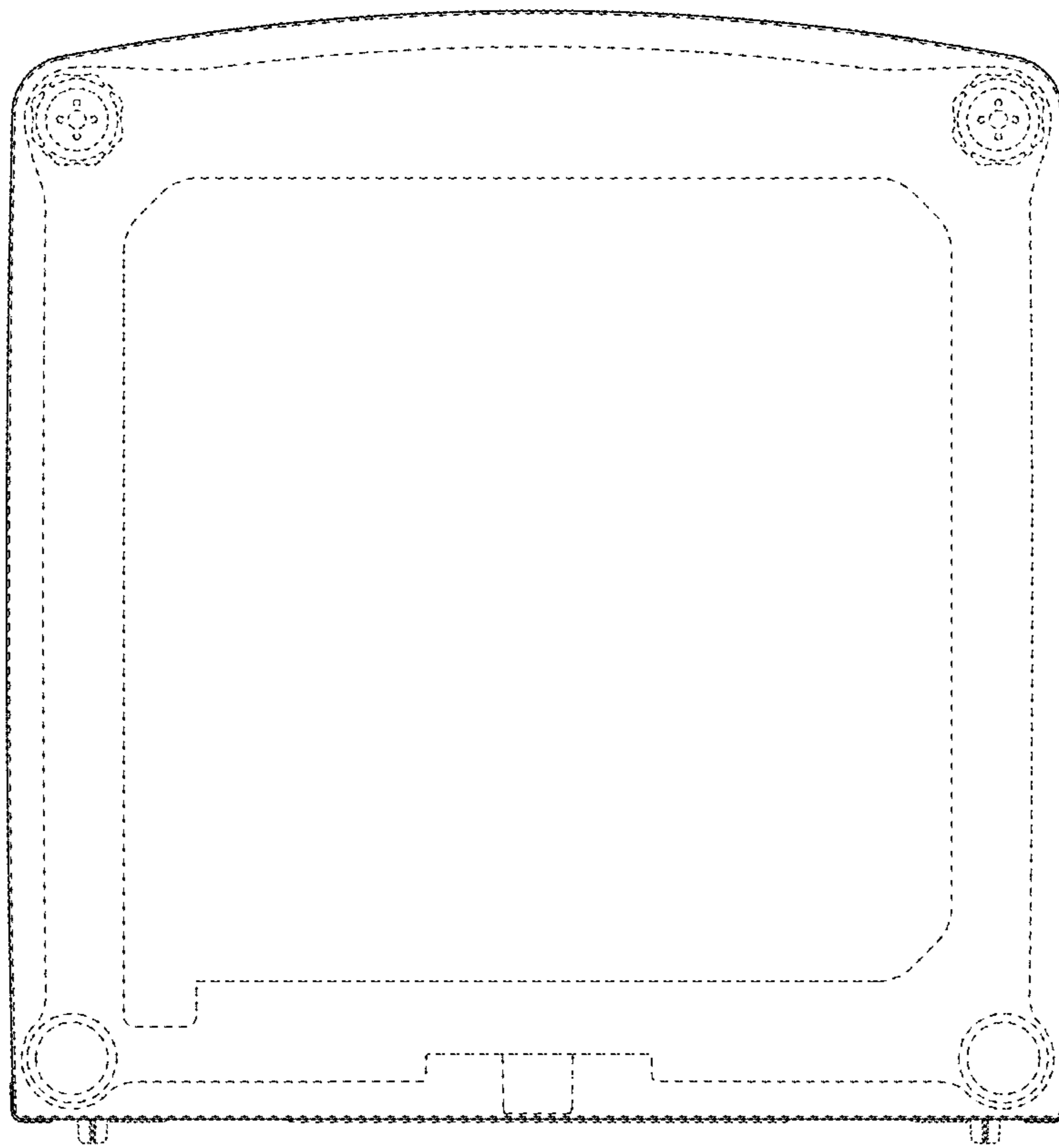


FIG. 8

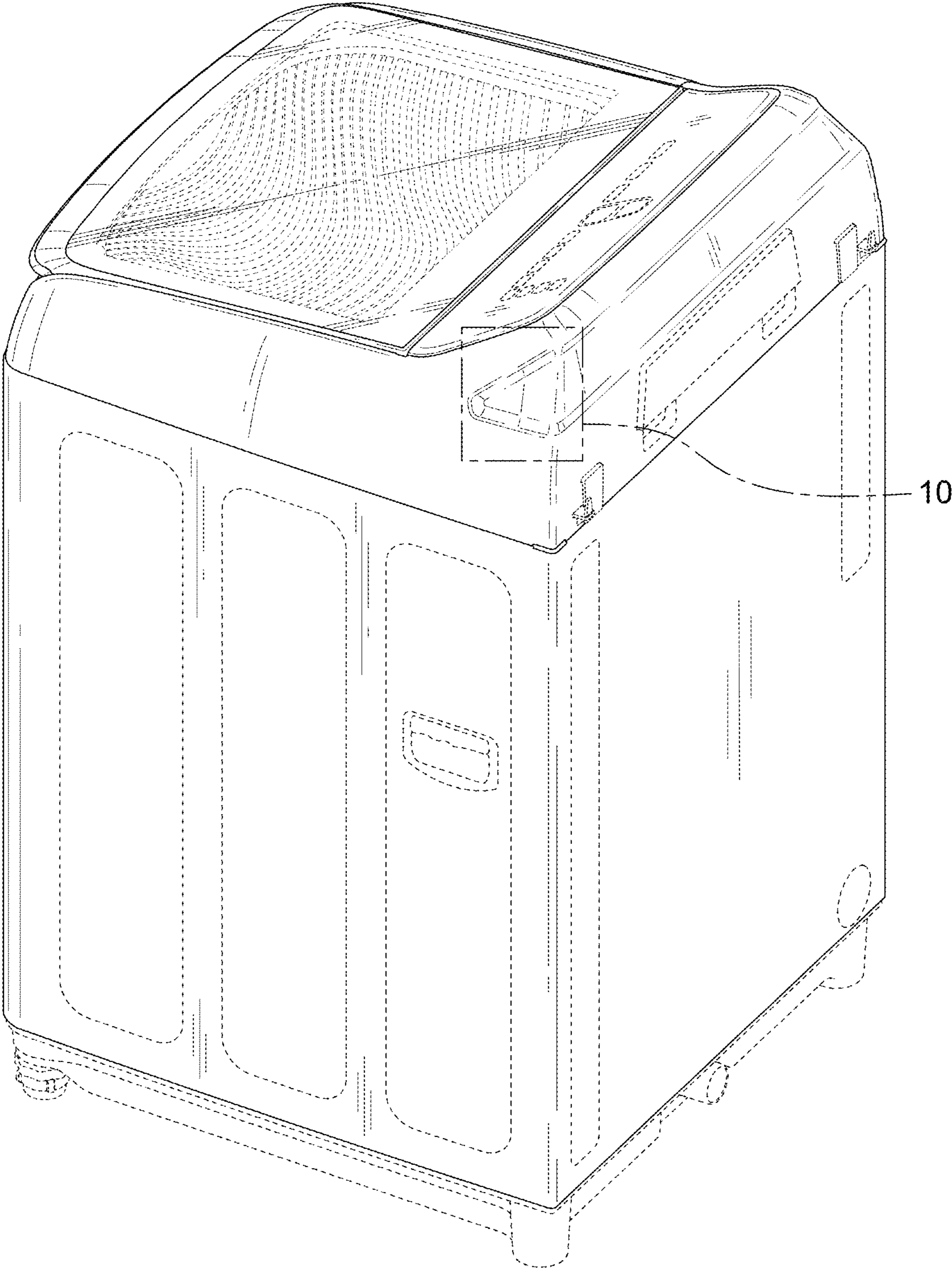


FIG. 9

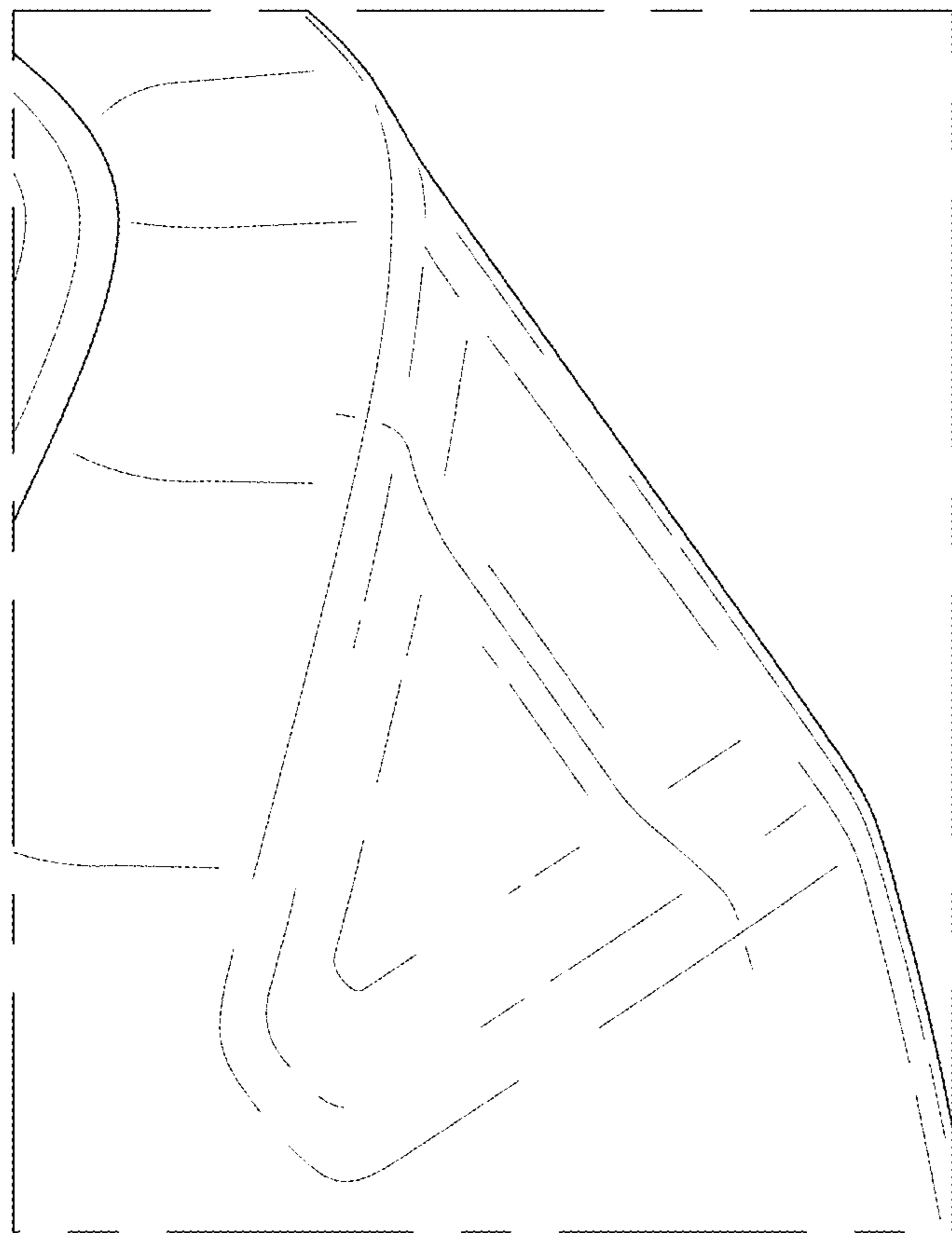


FIG. 10

