



US00D876720S

(12) **United States Design Patent** (10) **Patent No.:** **US D876,720 S**  
**Fuentes** (45) **Date of Patent:** **\*\* Feb. 25, 2020**

(54) **TRANSPARENT EYEBROW AND EYELASH PROTECTOR WITH ADHESIVE STRIP AND PAPER BACKING**

*Primary Examiner* — Randall H Gholson  
(74) *Attorney, Agent, or Firm* — Mark V. Leon

(71) Applicant: **Teresa Fuentes**, Scottsdale, AZ (US)

(57) **CLAIM**

(72) Inventor: **Teresa Fuentes**, Scottsdale, AZ (US)

The ornamental design for a transparent eyebrow and eyelash protector with adhesive strip and paper backing, as shown and described.

(\*\*) Term: **15 Years**

(21) Appl. No.: **29/640,878**

**DESCRIPTION**

(22) Filed: **Mar. 17, 2018**

(51) **LOC (12) Cl.** ..... **28-02**

(52) **U.S. Cl.**  
USPC ..... **D28/7**

(58) **Field of Classification Search**  
USPC ..... D28/7, 17, 10, 8, 9, 63, 64, 64.1, 64.7  
CPC .... A46B 2200/1046; A46B 2200/1053; A46B 2200/106; A47K 7/00; A45D 2200/1018; A45D 2200/1036  
See application file for complete search history.

FIG. 1 is a front view of a transparent eyebrow and eyelash protector with adhesive strip and paper backing;  
FIG. 2 is a right side view thereof, the left side view being a mirror image;  
FIG. 3 is a top edge view thereof; the lower edge view being a mirror image;  
FIG. 4 is a back view thereof;  
FIG. 5 is an isometric view thereof;  
FIG. 6 is another isometric view thereof; and,  
FIG. 7 is a front view thereof with a human face drawn in evenly segmented lines showing the transparent eyebrow and eyelash protector with adhesive strip and paper backing in a condition of use.

(56) **References Cited**

**U.S. PATENT DOCUMENTS**

3,973,561 A \* 8/1976 Kane ..... A61D 9/00 128/858  
D255,606 S \* 6/1980 Garcia ..... D28/36  
4,547,909 A 10/1985 Bell  
4,709,695 A \* 12/1987 Kohn ..... A61F 9/04 128/858  
4,969,472 A \* 11/1990 Langley ..... A61F 9/04 128/858  
5,180,360 A \* 1/1993 Rhame, Jr. .... A61F 13/0203 2/15  
D421,124 S \* 2/2000 Yavitz ..... D24/189  
6,019,103 A 2/2000 Carroll  
6,131,208 A 10/2000 Banks

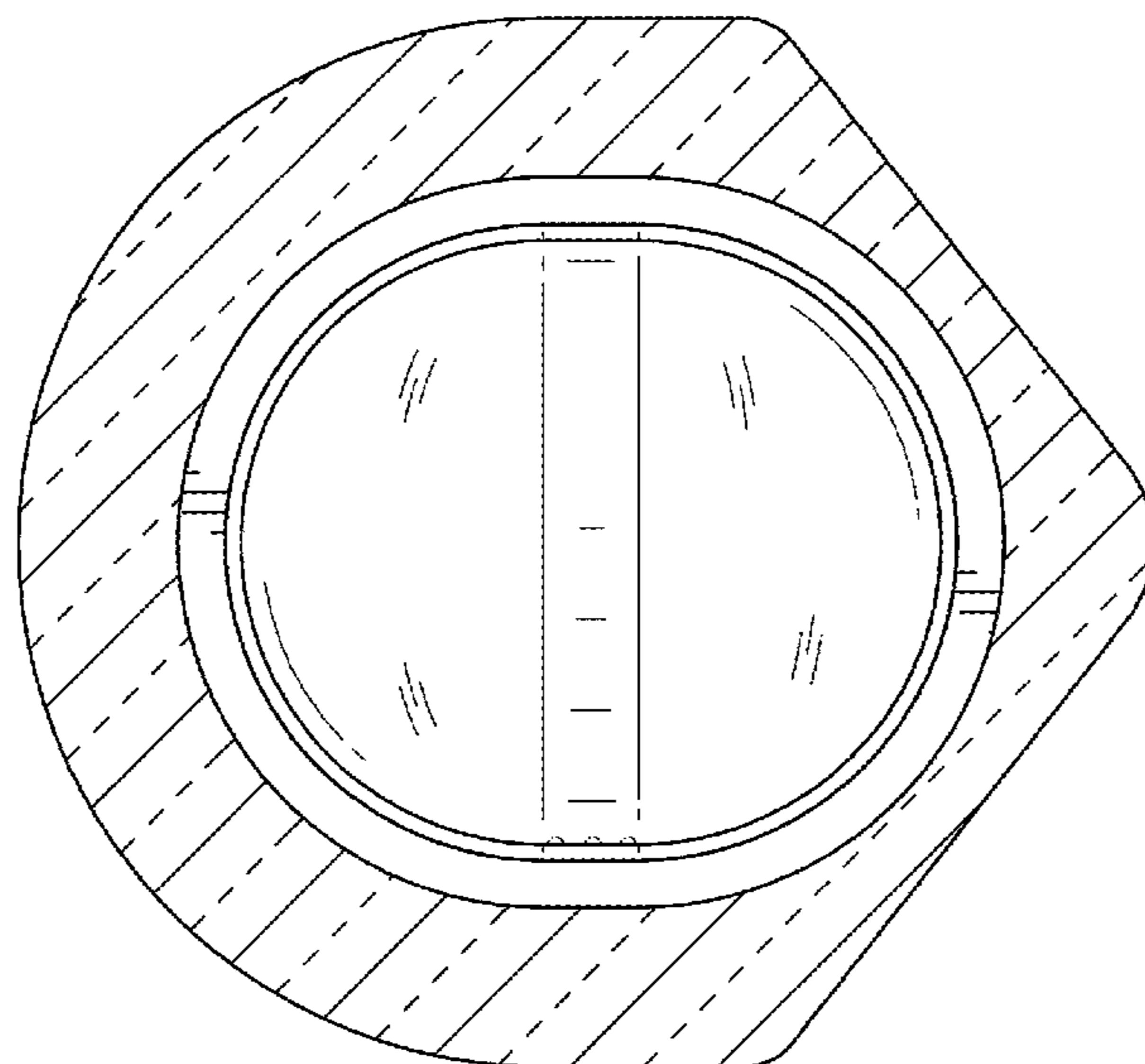
The solid line cross hatching shown in FIGS. 4 and 6 show a paper backing for the transparent adhesive strip; the cross hatching with both solid lines and broken lines in FIGS. 1 and 5 show the paper backing as seen through the transparent adhesive strip. FIG. 6 shows the transparent adhesive strip, the transparent eyebrow and eyelash protector, and the paper backing separately to better understand the illustration in FIGS. 1-5. The evenly segmented lines shown in FIG. 7 are for purposes of illustrating environmental structure associated with the claimed design in condition of use with the paper backing removed, and which forms no part of the claimed design. The dash dot lines in FIGS. 1, 3-7 are an unclaimed vent feature, and which forms no part of the claimed design. FIGS. 2, 3, and 5 illustrate the paper backing and transparent adhesive strip slightly separated for clarity of illustration to separate lines.

(Continued)

**FOREIGN PATENT DOCUMENTS**

CN 201104953 8/2008

**1 Claim, 4 Drawing Sheets**



(56)

**References Cited**

U.S. PATENT DOCUMENTS

|              |      |         |            |       |              |         |
|--------------|------|---------|------------|-------|--------------|---------|
| 6,320,094    | B1 * | 11/2001 | Arnold     | ..... | A61F 13/124  |         |
|              |      |         |            |       |              | 128/858 |
| D483,491     | S *  | 12/2003 | Grady      | ..... | D24/189      |         |
| 7,475,435    | B2 * | 1/2009  | Van Atta   | ..... | A63B 33/002  |         |
|              |      |         |            |       |              | 2/431   |
| 7,584,754    | B1 * | 9/2009  | Pellegrini | ..... | A61F 9/04    |         |
|              |      |         |            |       |              | 128/858 |
| 7,748,387    | B1 * | 7/2010  | Vu         | ..... | A61F 9/04    |         |
|              |      |         |            |       |              | 128/858 |
| D633,200     | S *  | 2/2011  | Saffer     | ..... | D24/128      |         |
| D673,326     | S *  | 12/2012 | Dunaway    | ..... | D28/7        |         |
| 8,464,733    | B2 * | 6/2013  | Franklin   | ..... | A45D 44/12   |         |
|              |      |         |            |       |              | 132/319 |
| 8,967,427    | B2 * | 3/2015  | Hogan      | ..... | B65D 83/0847 |         |
|              |      |         |            |       |              | 221/309 |
| D736,461     | S *  | 8/2015  | DoSouto    | ..... | D28/7        |         |
| D758,009     | S *  | 5/2016  | Berkos     | ..... | D28/7        |         |
| D759,828     | S *  | 6/2016  | Riedle     | ..... | D24/189      |         |
| 9,526,290    | B2   | 12/2016 | Wilson     |       |              |         |
| D776,343     | S *  | 1/2017  | Rhoades    | ..... | D28/7        |         |
| D798,460     | S *  | 9/2017  | Farley     | ..... | D24/189      |         |
| 10,258,510   | B1 * | 4/2019  | Brattin    | ..... | A61F 13/124  |         |
| 2016/0166435 | A1   | 6/2016  | Wilson     |       |              |         |

\* cited by examiner

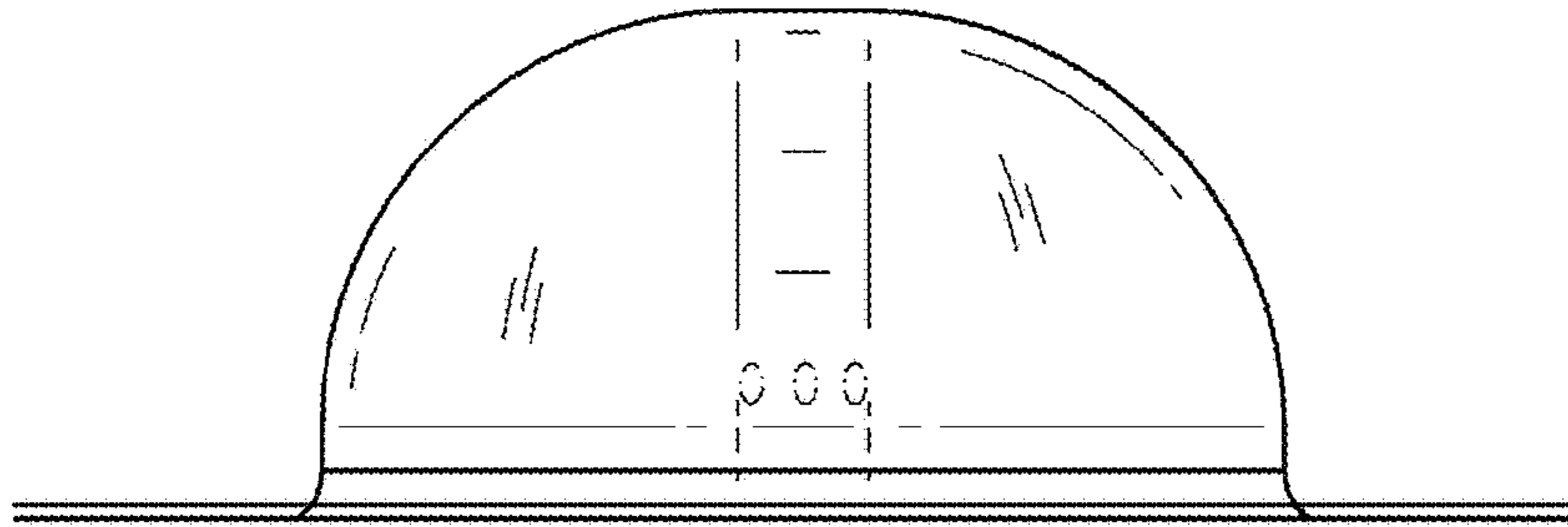


Fig. 3

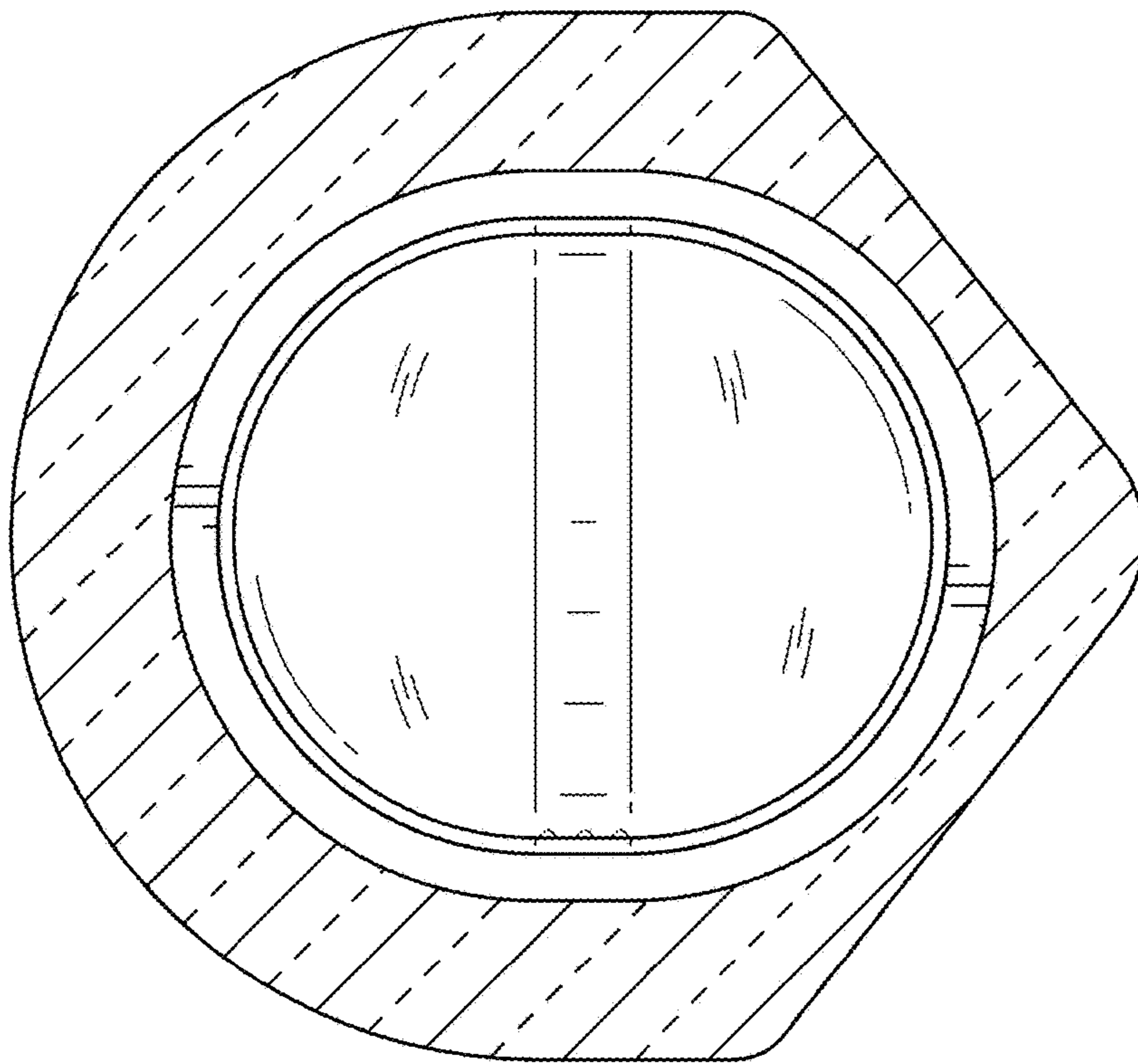


Fig. 1

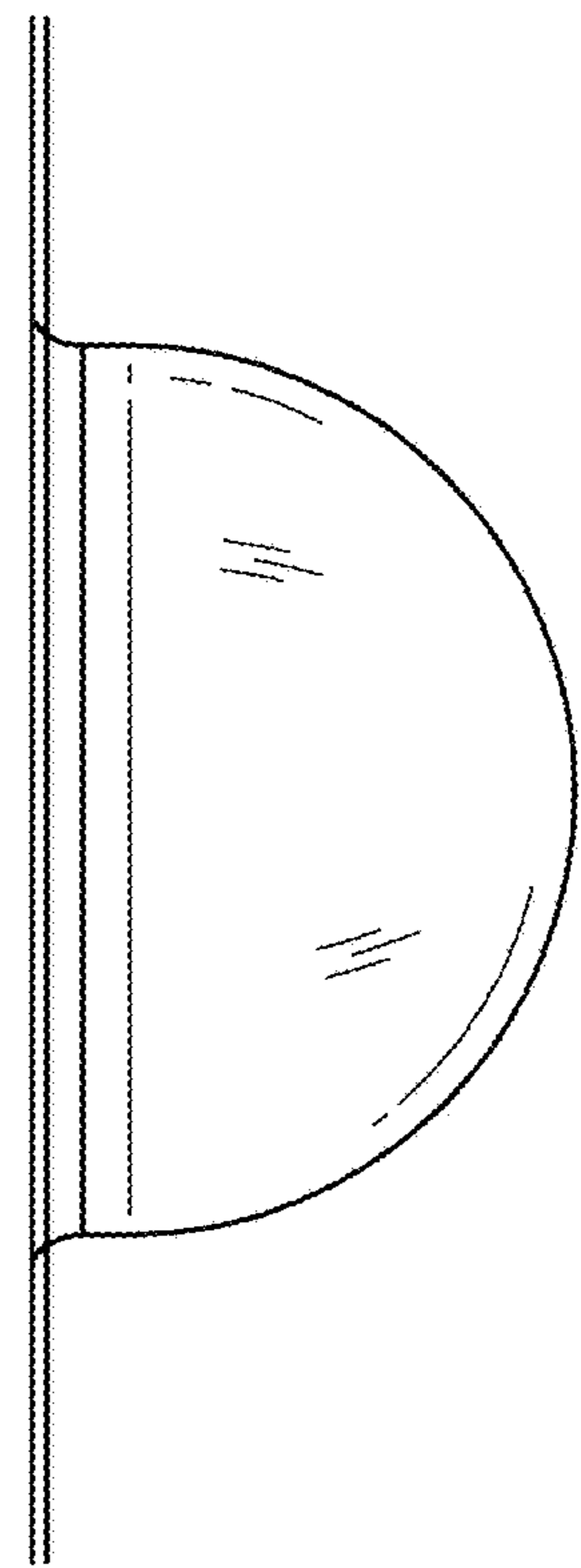


Fig. 2



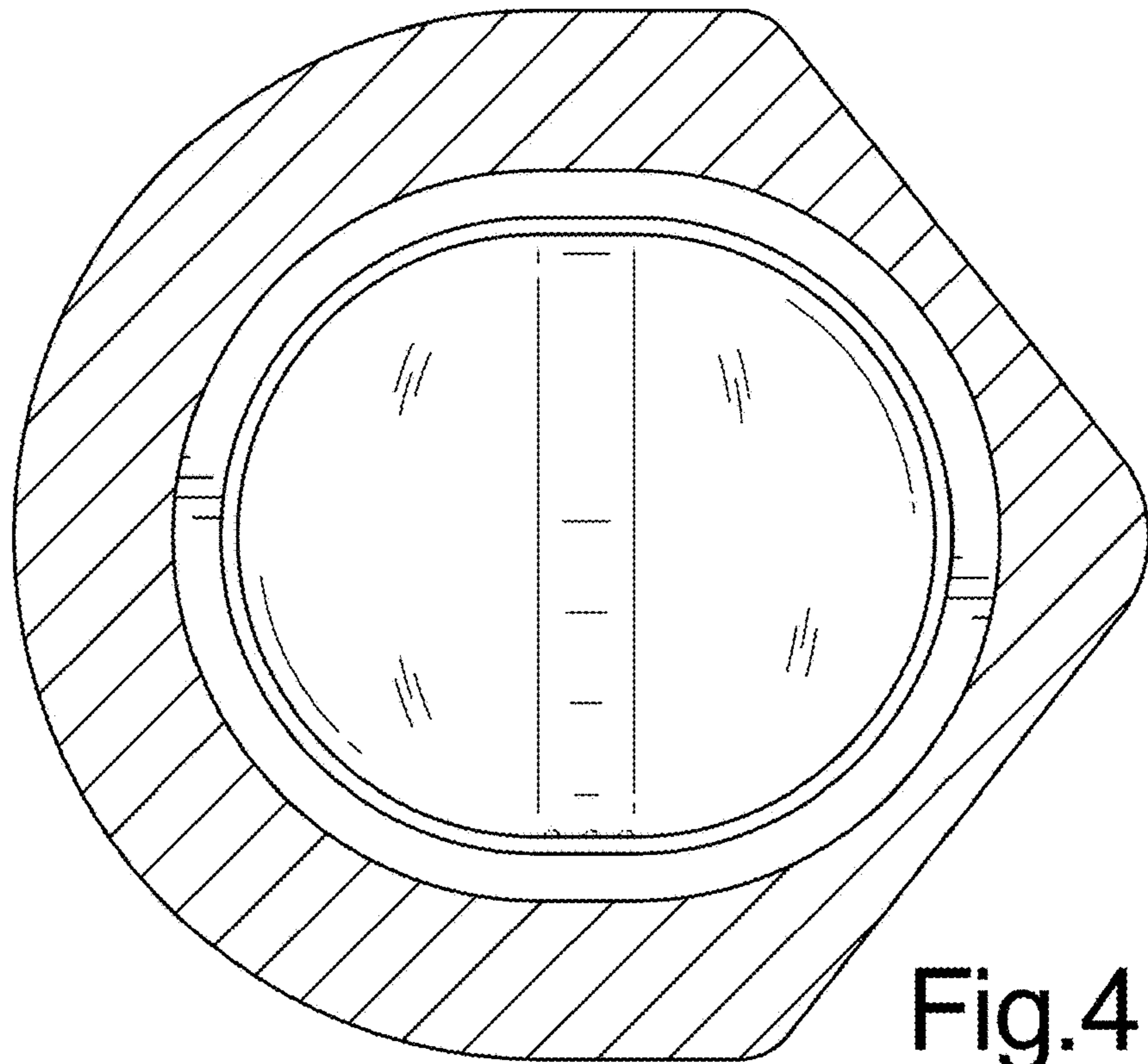


Fig.4

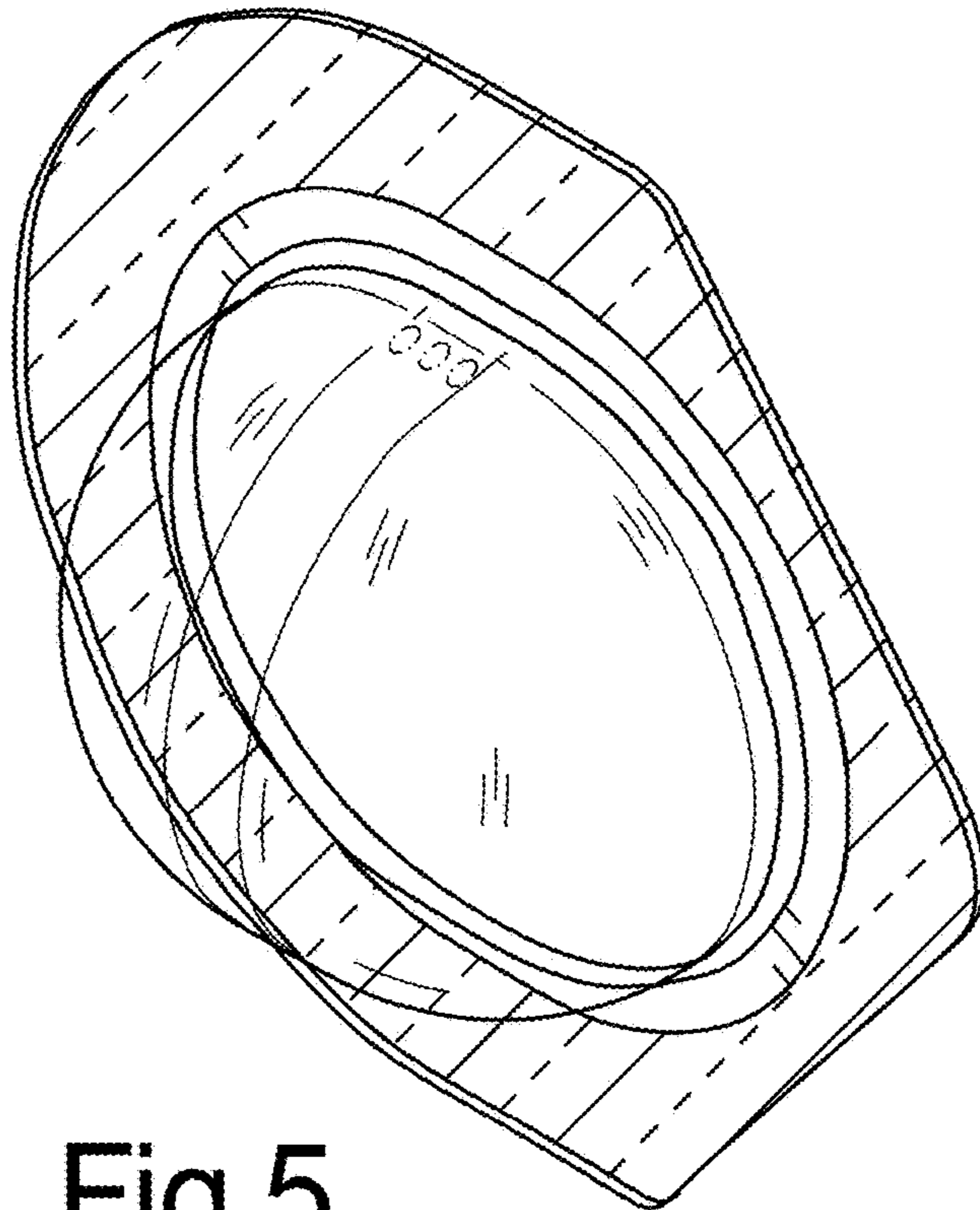


Fig.5

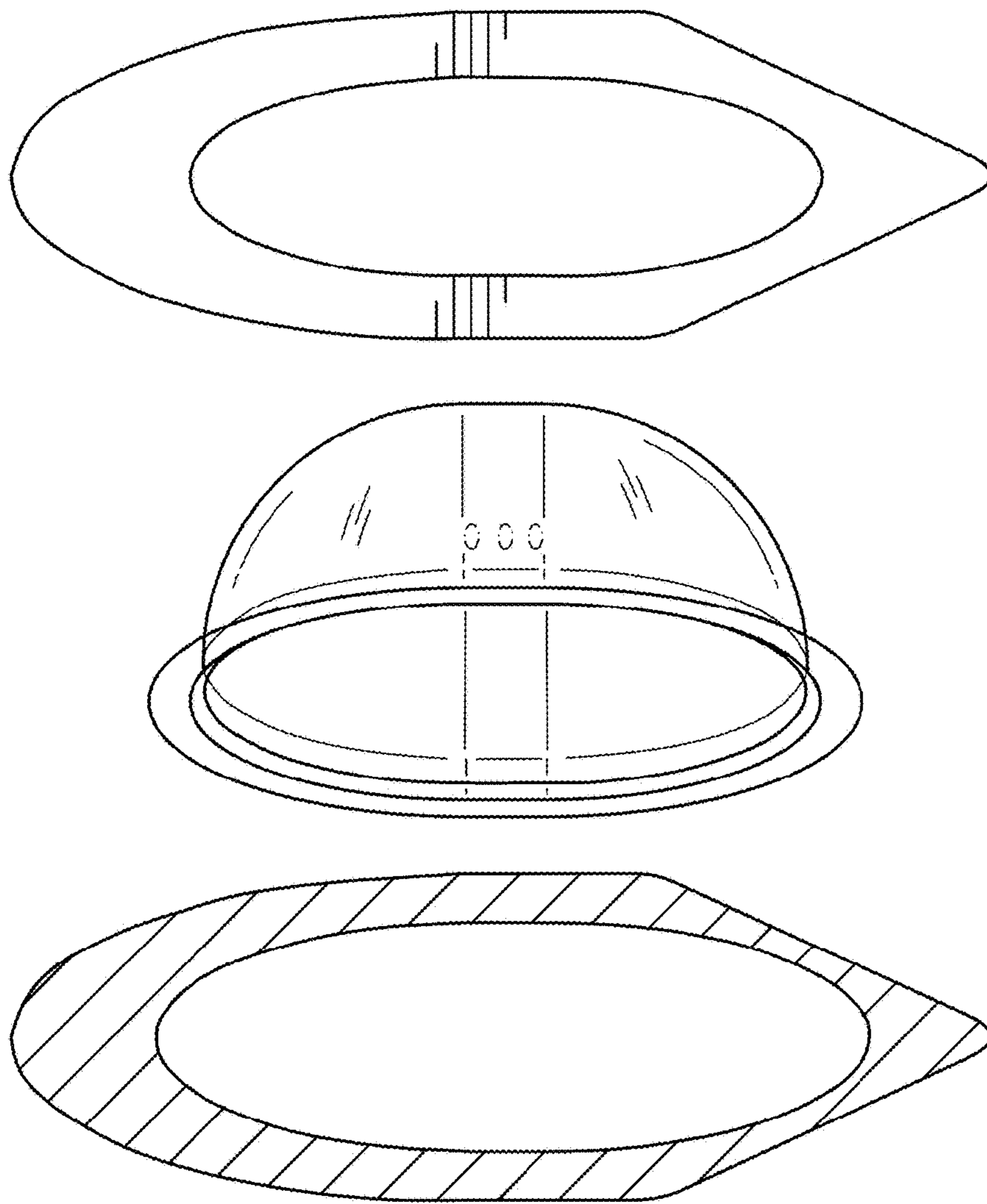


Fig. 6

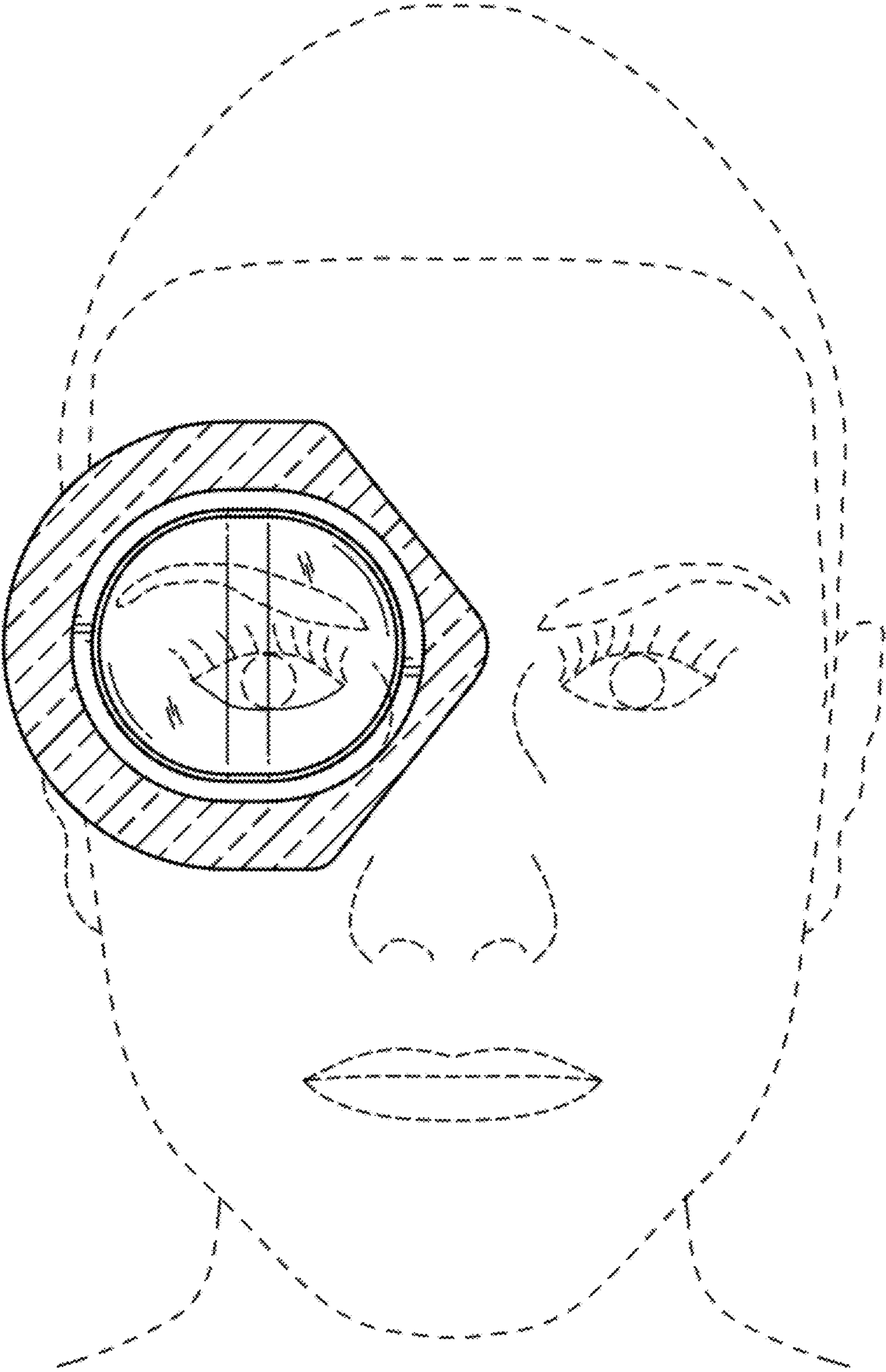


Fig. 7