



US00D876718S

(12) **United States Design Patent** (10) **Patent No.:** **US D876,718 S**  
**Kassir** (45) **Date of Patent:** **\*\* Feb. 25, 2020**

(54) **LIGHTER**  
(71) Applicant: **KCI Newport, Inc.**, Irwindale, CA (US)  
(72) Inventor: **Ziad Kassir**, Burbank, CA (US)  
(73) Assignee: **KCI Newport, Inc.**, Irwindale, CA (US)  
(\*\*) Term: **15 Years**

D440,008 S 4/2001 Xu  
D444,912 S 7/2001 Xie et al.  
D447,275 S 8/2001 Coquerel  
6,298,856 B1 10/2001 Park  
D465,978 S 11/2002 Miyanaga  
D466,643 S \* 12/2002 Harel ..... D27/141  
D466,648 S 12/2002 Cohen  
D468,482 S 1/2003 Lin  
D472,341 S 3/2003 Cohen  
6,575,735 B1 6/2003 Lloveras  
D477,747 S 7/2003 Hsu  
D481,163 S 10/2003 Lin  
D481,598 S 11/2003 Lin

(Continued)

(21) Appl. No.: **29/653,037**

(22) Filed: **Jun. 12, 2018**

(51) **LOC (12) Cl.** ..... **27-05**

(52) **U.S. Cl.**  
USPC ..... **D27/141**

(58) **Field of Classification Search**  
USPC ..... D27/141, 139, 140, 142-144, 147, 148,  
D27/153-160; 431/344, 350, 351, 353,  
431/273-277  
CPC ..... F23Q 7/00; F23Q 7/06; F23Q 7/16; F23Q  
7/14; F23Q 7/18; F23Q 7/22; F23Q 7/24;  
F23Q 2/28; F23Q 2/00; F23Q 2/02; F23Q  
2/10; F23Q 2/16; F23Q 2/161-164; F23Q  
2/167

See application file for complete search history.

(56) **References Cited**

**U.S. PATENT DOCUMENTS**

D244,619 S 6/1977 Neyret  
D299,000 S 12/1988 Yoshinaga  
5,462,432 A 10/1995 Kim  
5,564,918 A 10/1996 Lin  
D376,302 S 12/1996 Tsai  
5,667,377 A 9/1997 Lin  
D398,050 S 9/1998 Yoshinaga  
D403,807 S 1/1999 Fontaine  
5,921,768 A 7/1999 Joncg  
5,971,751 A 10/1999 Lee  
6,186,772 B1 2/2001 Huang

**OTHER PUBLICATIONS**

<https://www.overstock.com/Food-Gifts/Caseti-Elegante-Slim-Lighter-White/14229344/product.html> Dec. 8, 2018.\*

*Primary Examiner* — Susan Bennett Hattan  
*Assistant Examiner* — Rebecca Tsehaye  
(74) *Attorney, Agent, or Firm* — Akerman LLP; Peter A. Chiabotti

(57) **CLAIM**

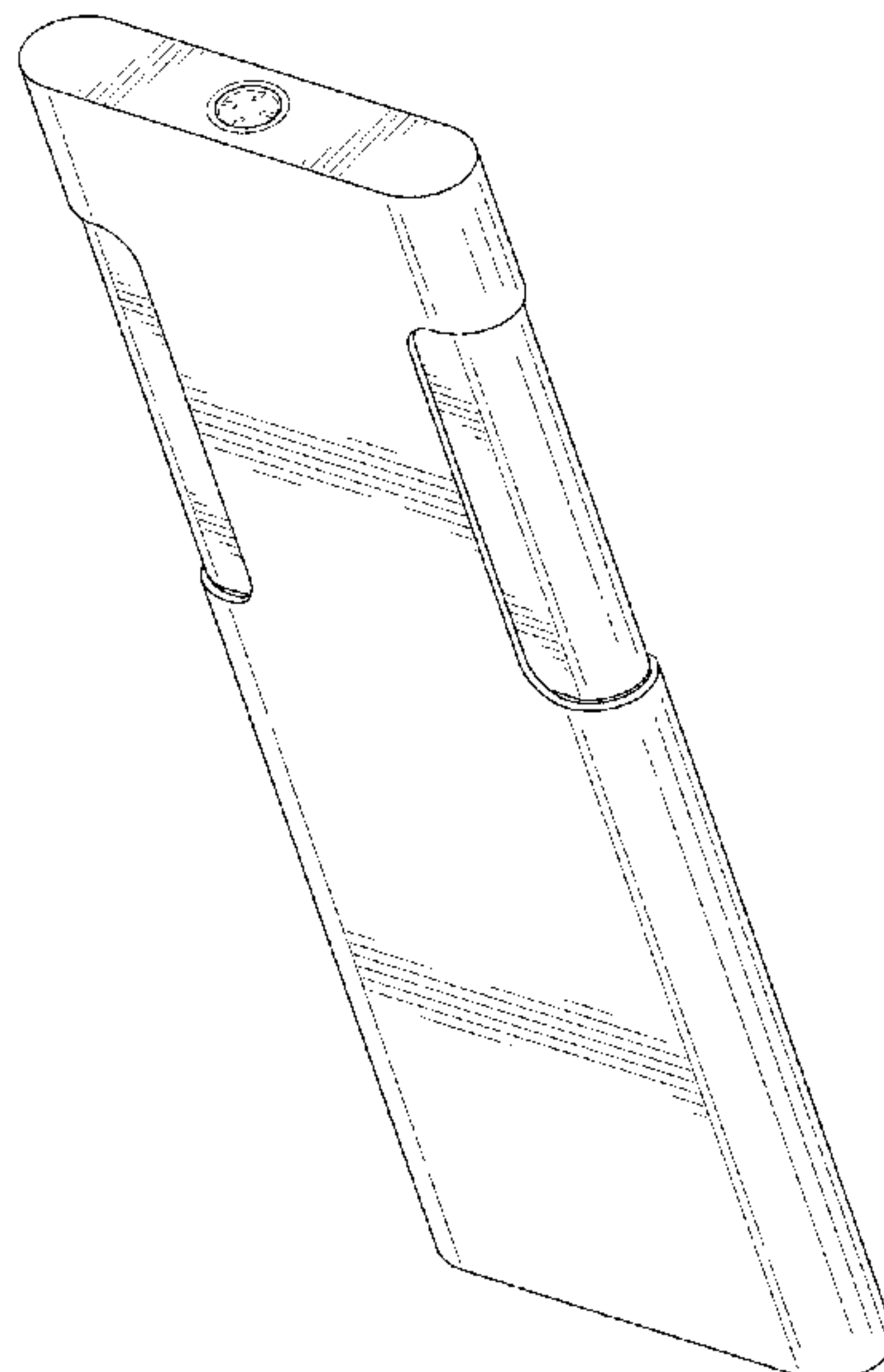
The ornamental design for a lighter, as shown and described.

**DESCRIPTION**

FIG. 1 is a front-top perspective view of the lighter showing my new design;  
FIG. 2 is a bottom-back perspective view thereof;  
FIG. 3 is a front plan view thereof;  
FIG. 4 is a back plan view thereof;  
FIG. 5 is a right side elevation view thereof;  
FIG. 6 is a left side elevation view thereof;  
FIG. 7 is a top plan view; and,  
FIG. 8 is a bottom plan view.

The broken lines in the drawings depict portions on of the lighter that form no part of the claimed design.

**1 Claim, 4 Drawing Sheets**



(56)

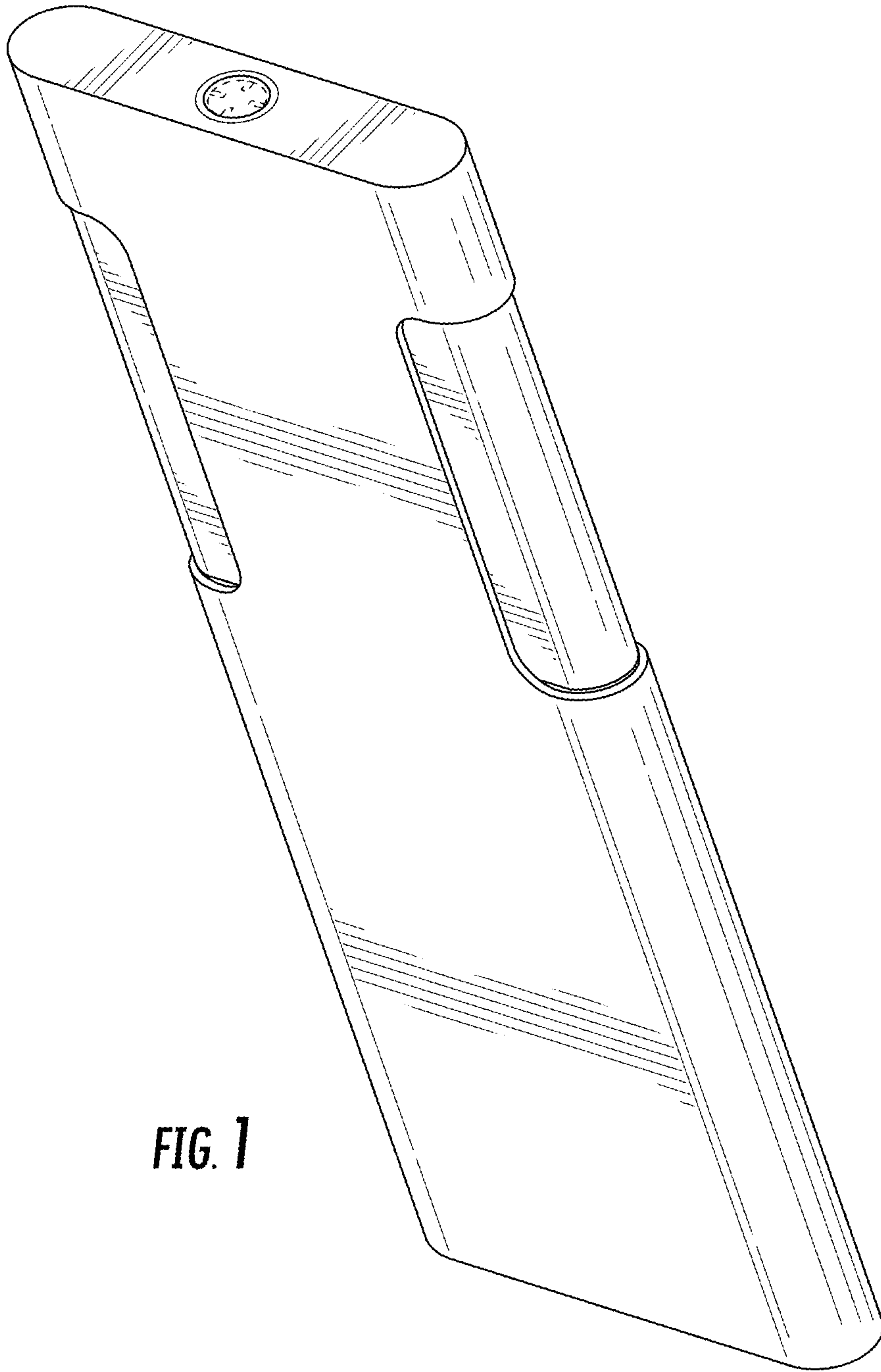
References Cited

U.S. PATENT DOCUMENTS

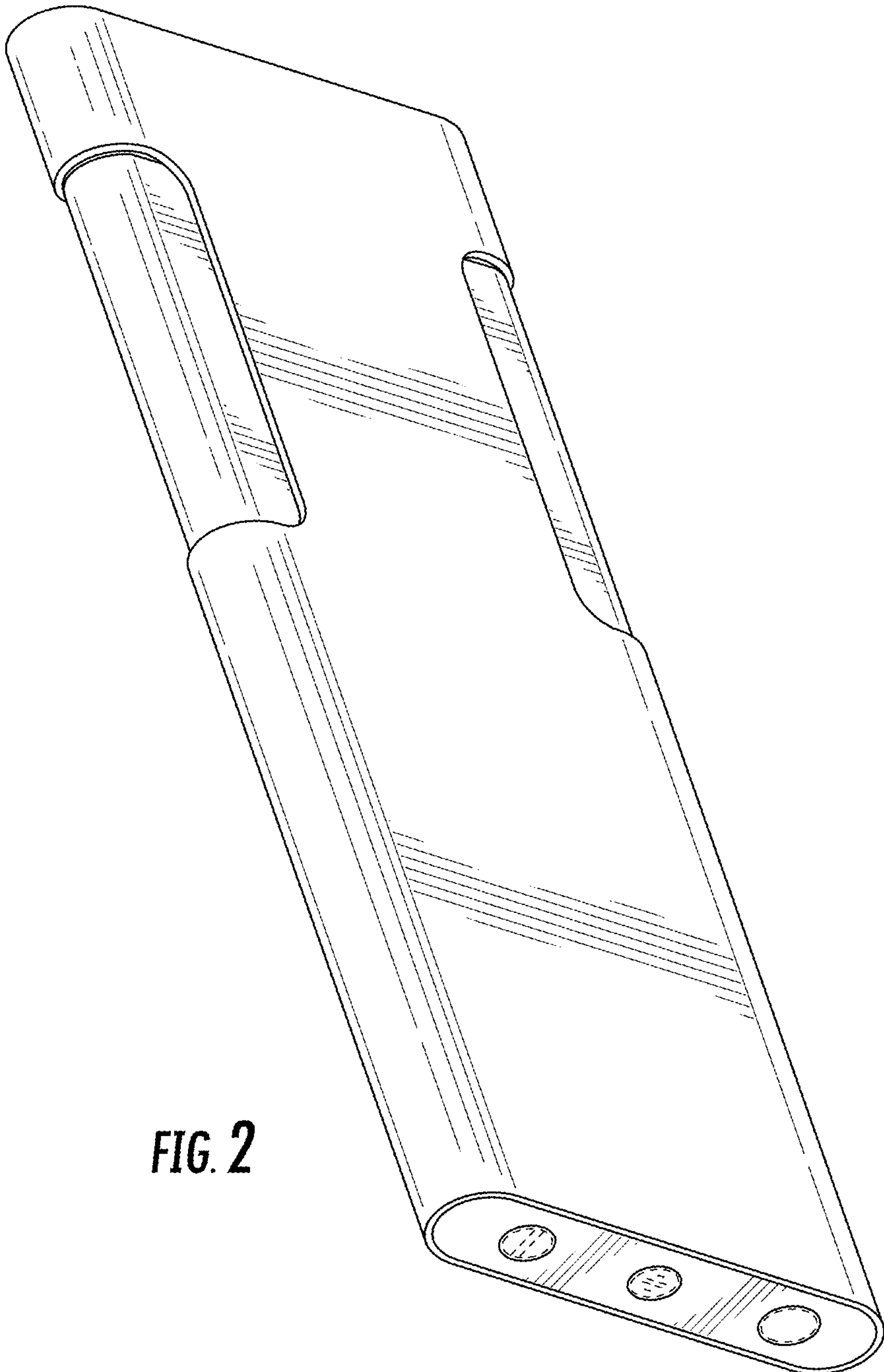
6,727,444 B1 4/2004 Lin  
 D495,088 S 8/2004 Lin  
 D498,330 S \* 11/2004 Koike ..... D27/157  
 D510,456 S 10/2005 Smith  
 D515,356 S 2/2006 Chen  
 D519,800 S 5/2006 Glover et al.  
 D527,141 S 8/2006 Smith  
 D529,227 S 9/2006 Smith  
 D531,354 S 10/2006 Kassir  
 D536,480 S \* 2/2007 Park ..... D27/143  
 D537,560 S 2/2007 Chuang  
 D538,972 S \* 3/2007 Smith ..... D27/157  
 D539,472 S 3/2007 Almsberger et al.  
 D539,473 S 3/2007 Almsberger et al.  
 D541,490 S 4/2007 Madson  
 D542,465 S 5/2007 Lou  
 D550,897 S \* 9/2007 Smith ..... D27/159  
 D551,387 S 9/2007 Smith  
 D552,298 S \* 10/2007 Smith ..... D27/157  
 D553,290 S 10/2007 Smith  
 D567,437 S 4/2008 Smith  
 D586,035 S 2/2009 Chuan  
 D605,350 S 12/2009 Smith  
 D617,042 S \* 6/2010 Wong ..... D27/139  
 D622,902 S 8/2010 An

D624,694 S 9/2010 Zande  
 7,815,432 B2 10/2010 Smith  
 D629,154 S 12/2010 Sung  
 D629,966 S 12/2010 Chuan  
 D634,889 S \* 3/2011 Park ..... D27/143  
 D664,294 S 7/2012 Howell et al.  
 D664,709 S 7/2012 Almsberger et al.  
 D664,710 S 7/2012 Van Keppel et al.  
 D667,993 S 9/2012 Lin  
 D667,994 S 9/2012 Lin  
 D681,875 S 5/2013 Parker  
 D693,962 S 11/2013 Parker  
 D717,488 S \* 11/2014 Martin ..... D27/141  
 D742,062 S 10/2015 Almsberger et al.  
 D742,063 S 10/2015 Recio  
 D754,913 S 4/2016 Almsberger et al.  
 D770,900 S 11/2016 Hendricks et al.  
 D814,262 S 4/2018 Khubani  
 D818,637 S \* 5/2018 Ringel ..... D27/141  
 D820,331 S 6/2018 Walters et al.  
 D843,645 S \* 3/2019 Mucaro ..... D27/141  
 D844,405 S 4/2019 Shen  
 10,302,303 B2 \* 5/2019 Chau ..... F23Q 2/167  
 2009/0098494 A1 4/2009 Aronson et al.  
 2010/0261129 A1 10/2010 Lin  
 2012/0244480 A1 9/2012 Tsai  
 2019/0093889 A1 3/2019 Ho  
 2019/0093890 A1 3/2019 Shen

\* cited by examiner

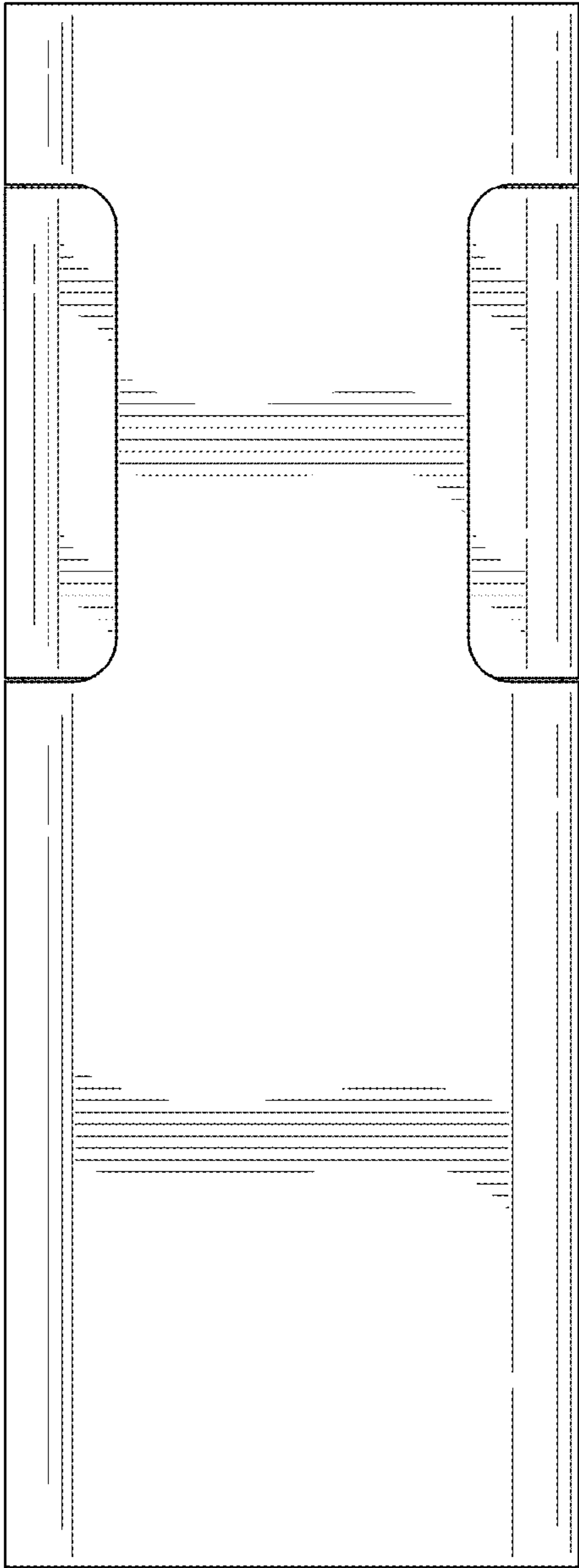


**FIG. 1**

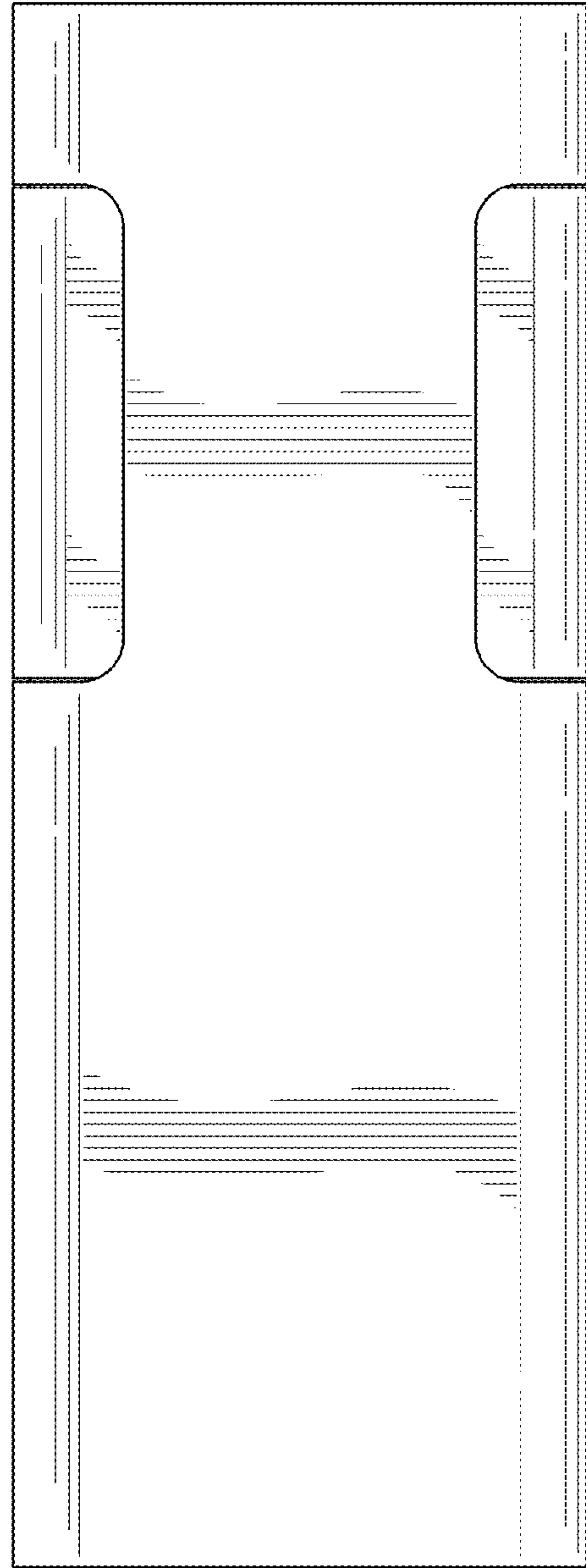


**FIG. 2**

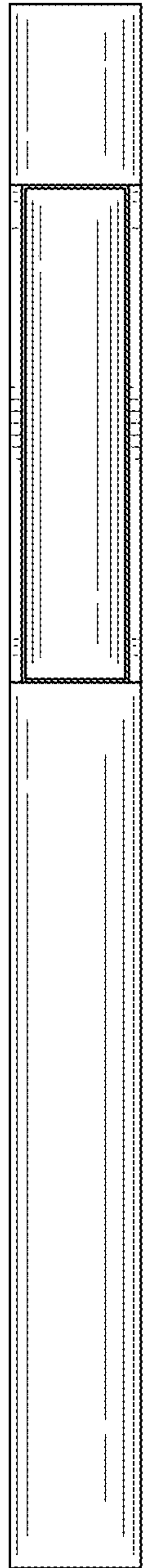




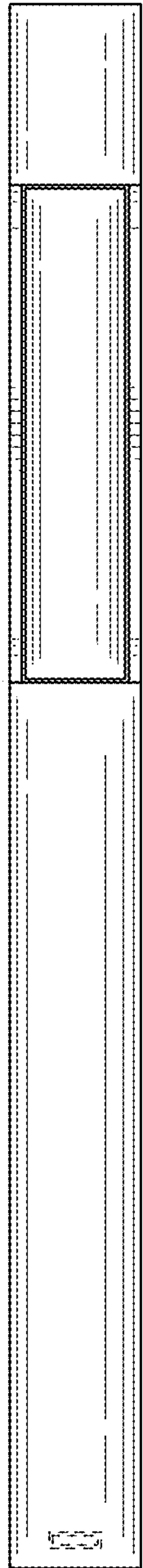
**FIG. 3**



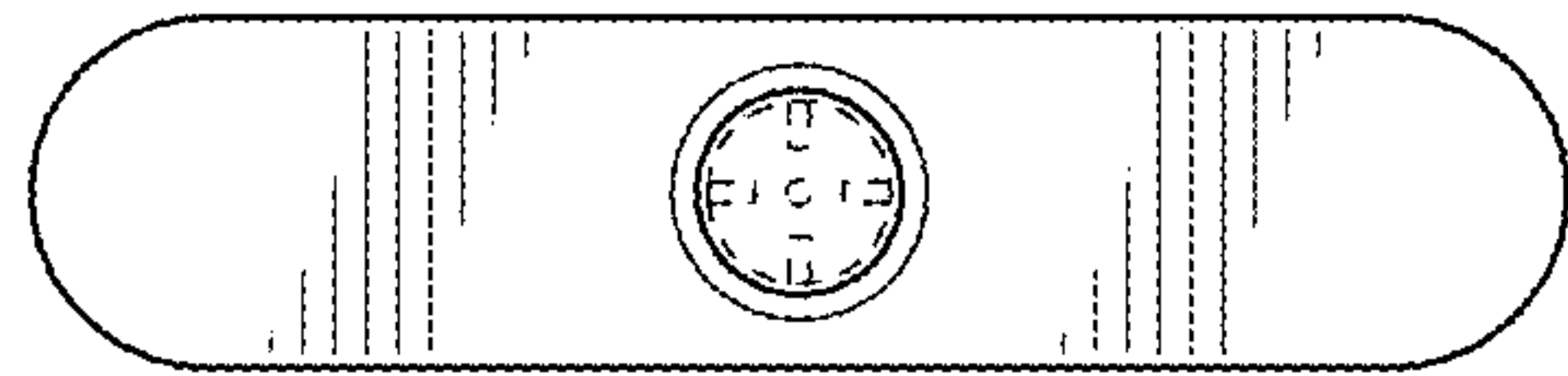
**FIG. 4**



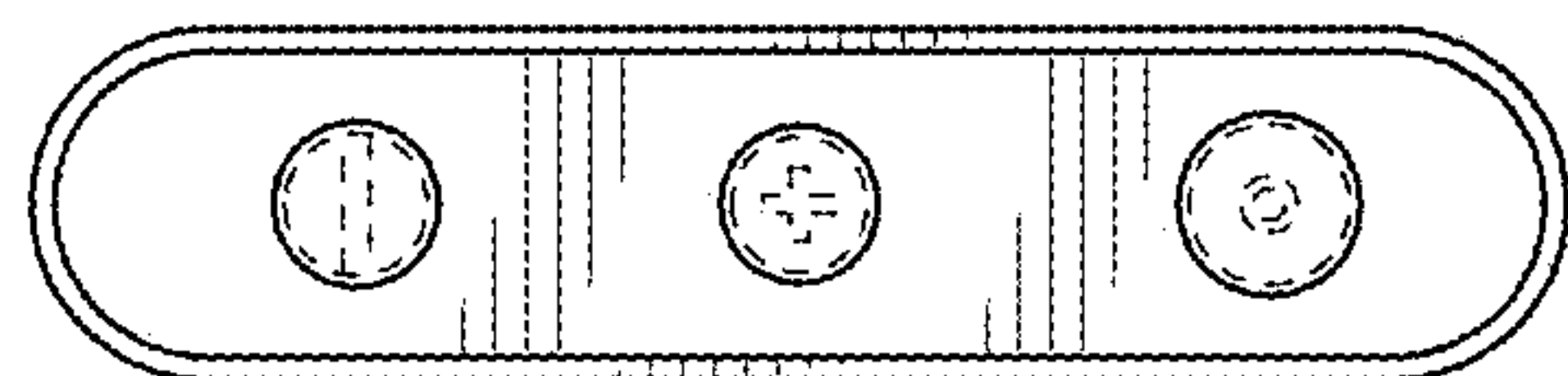
**FIG. 5**



**FIG. 6**



**FIG. 7**



**FIG. 8**