



US00D876717S

(12) **United States Design Patent** (10) **Patent No.:** **US D876,717 S**
Murray et al. (45) **Date of Patent:** **** *Feb. 25, 2020**

(54) **ELECTRONIC CIGARETTE**
(71) Applicant: **Sensus Investments Limited**, Liverpool (GB)
(72) Inventors: **Samantha Murray**, Liverpool (GB); **Chris Lord**, Liverpool (GB); **Ross Shenton**, Liverpool (GB); **David Jones**, Liverpool (GB); **Thomas Sudlow**, Liverpool (GB)
(73) Assignee: **NERUIDA LIMITED** (GB)

D393,834 S * 4/1998 Margalit D14/240
D399,198 S * 10/1998 Reitzel D14/426
D447,275 S * 8/2001 Coquerel D27/158
D522,019 S * 5/2006 Peng D14/203.7
D528,542 S * 9/2006 Luminosu D14/346
D533,931 S * 12/2006 Miller D23/366
D549,053 S * 8/2007 Dellaferrera D3/294
D570,350 S * 6/2008 Miller D14/426
D596,788 S * 7/2009 Fuente D27/189
D615,084 S * 5/2010 Burton D14/341
D615,180 S * 5/2010 Meyerhoffer D23/366
D643,103 S * 8/2011 Bilko D23/366
D647,193 S * 10/2011 Kim D23/366

(Continued)

(*) Notice: This patent is subject to a terminal disclaimer.

(**) Term: **15 Years**

(21) Appl. No.: **29/633,896**

(22) Filed: **Jan. 17, 2018**

(30) **Foreign Application Priority Data**

Jul. 17, 2017 (EM) 004107746-0001

(51) **LOC (12) Cl.** **27-01**

(52) **U.S. Cl.**
USPC **D27/101**

(58) **Field of Classification Search**

USPC D27/100, 101, 139-161, 162-194;
D23/366; D7/416; D24/110; D19/101,
D19/106, 115, 165, 195; D14/435.1, 426,
D14/507, 186, 341, 346; D13/108;
D17/10, 13; D21/394
CPC A24F 47/008; A24F 47/002; A24F 7/00;
A24F 15/12

See application file for complete search history.

(56) **References Cited**

U.S. PATENT DOCUMENTS

D266,563 S * 10/1982 White D14/346
D322,687 S * 12/1991 Tschudin D27/189

OTHER PUBLICATIONS

Sudlow orbit relative results 1. thomas sudlow. orbit search results. found online [Jan. 15, 2019].*

(Continued)

Primary Examiner — Marissa J Cash

(74) *Attorney, Agent, or Firm* — Colin P. Cahoon;
Carstens & Cahoon, LLP

(57) **CLAIM**

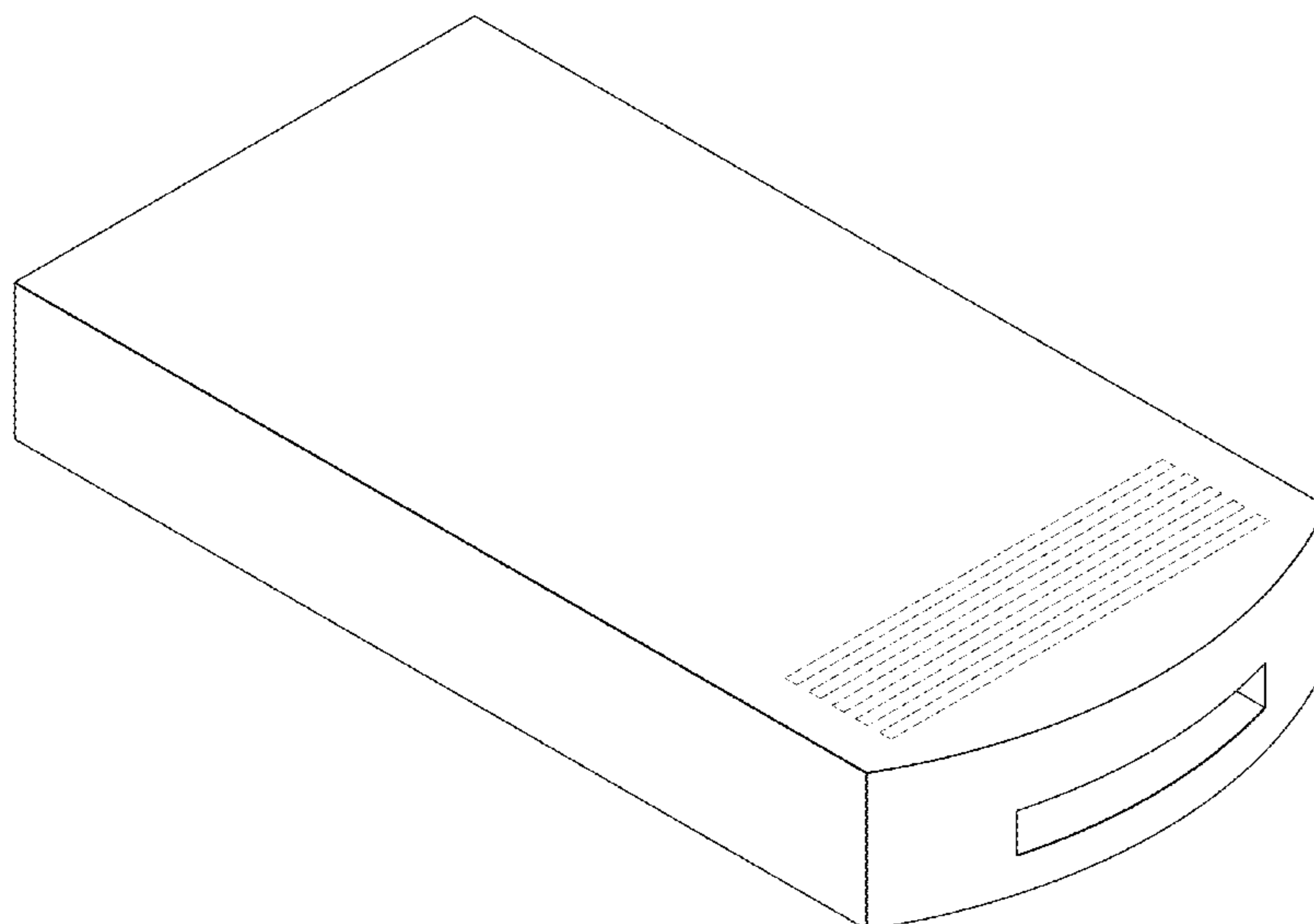
The ornamental design for an electronic cigarette, as shown and described.

DESCRIPTION

FIG. 1 is a perspective view of an electronic cigarette of the present design;
FIG. 2 is a right side view thereof;
FIG. 3 is a left side view thereof;
FIG. 4 is a front view thereof;
FIG. 5 is a rear view thereof;
FIG. 6 is top view thereof; and,
FIG. 7 is bottom view thereof.

The broken lines in the drawings illustrate the portions of the electronic cigarette that form no part of the claimed design.

1 Claim, 5 Drawing Sheets



(56)

References Cited

U.S. PATENT DOCUMENTS

D649,236 S * 11/2011 Bilko D23/366
 D677,000 S * 2/2013 Liu D27/189
 D693,054 S * 11/2013 Verleur D27/189
 D717,488 S * 11/2014 Martin D27/141
 D733,278 S * 6/2015 Newlin D23/366
 D736,455 S * 8/2015 Liu D27/189
 D751,251 S * 3/2016 Fath D27/189
 D751,756 S * 3/2016 Hearn D27/189
 D752,285 S * 3/2016 Doster D27/189
 D752,808 S * 3/2016 Hearn D27/189
 D754,913 S * 4/2016 Almsberger D27/152
 D758,655 S * 6/2016 Freshwater D27/163
 D758,656 S * 6/2016 Freshwater D27/163
 D759,302 S * 6/2016 Gadas D19/10
 D768,331 S * 10/2016 Chen D27/101
 D770,678 S * 11/2016 Shin D27/163
 D770,680 S * 11/2016 Bennett D27/189
 D772,477 S * 11/2016 Smith D27/163
 D773,116 S * 11/2016 Liu D27/167
 D776,340 S * 1/2017 Seibel D27/189
 D779,726 S * 2/2017 Bennett D27/189
 D780,373 S * 2/2017 Bennett D27/186
 D790,129 S * 6/2017 Bennett D27/189
 D792,020 S * 7/2017 Mendoza D27/101
 D792,642 S * 7/2017 Mendoza D27/101
 D797,745 S * 9/2017 Wang D14/426
 D798,500 S * 9/2017 Joyce, III D27/189
 D806,311 S * 12/2017 Smith D27/162

D809,706 S * 2/2018 Martin D27/141
 D811,005 S * 2/2018 Fath D27/189
 D812,289 S * 3/2018 Ward D27/172
 D812,290 S * 3/2018 Ward D27/172
 D815,347 S * 4/2018 Jones D27/194
 D818,637 S * 5/2018 Ringel D27/141
 D818,640 S * 5/2018 Kakoun D27/189
 D828,621 S * 9/2018 Qiu D27/162
 D829,372 S * 9/2018 Huang D27/101
 D830,626 S * 10/2018 Gu D27/141
 D832,504 S * 10/2018 Qiu D27/163
 D832,505 S * 10/2018 Bennett D27/193
 D833,063 S * 11/2018 Qiu D27/101
 D833,671 S * 11/2018 Stephane D27/141
 D834,746 S * 11/2018 Liu D27/162
 D846,796 S * 4/2019 Pan D27/101
 D846,798 S * 4/2019 Chen D27/163
 D847,741 S * 5/2019 Hu D13/108
 2017/0050798 A1 * 2/2017 Ludewig B65D 85/54
 2017/0101256 A1 * 4/2017 Zeitlin A24F 15/20
 2017/0172209 A1 * 6/2017 Saydar A24F 47/008
 2017/0231283 A1 * 8/2017 Gadas A24F 7/02
 131/329

OTHER PUBLICATIONS

Sudlow orbit relative results 2. thomas sudlow. orbit search results.
 found online [Jan. 15, 2019].*

* cited by examiner

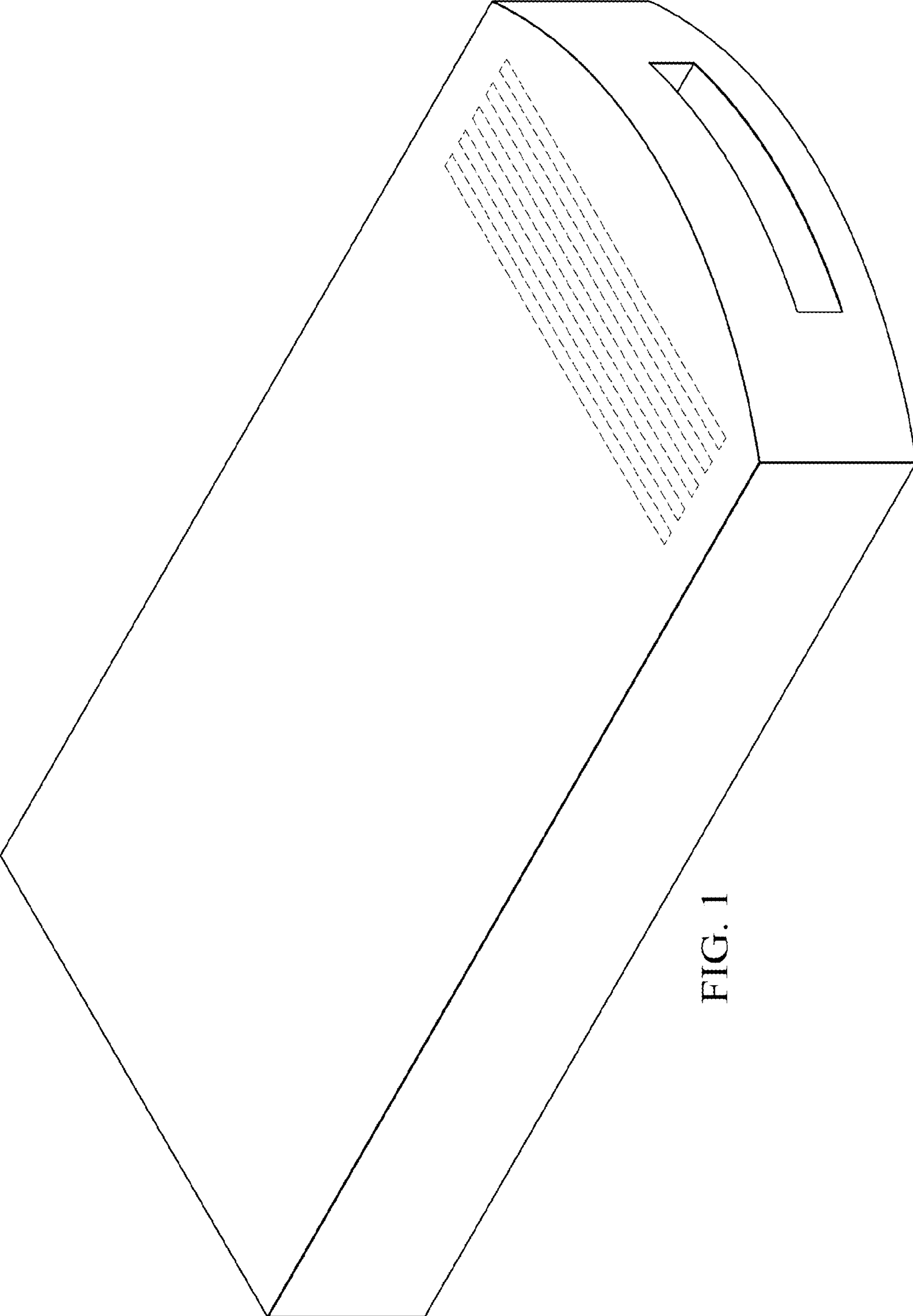


FIG. 1

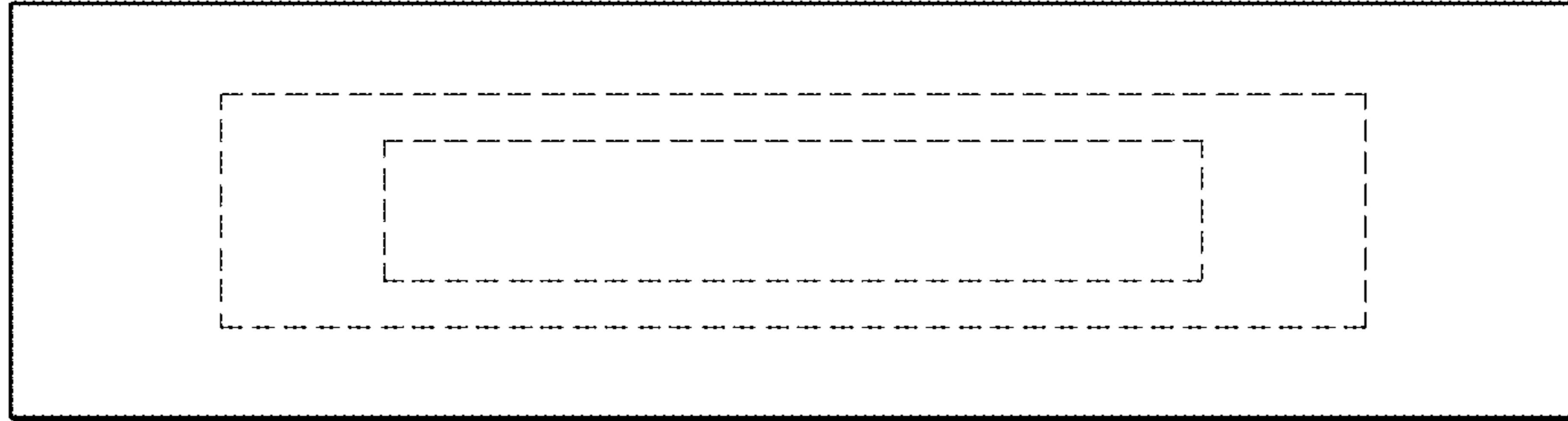


FIG. 2

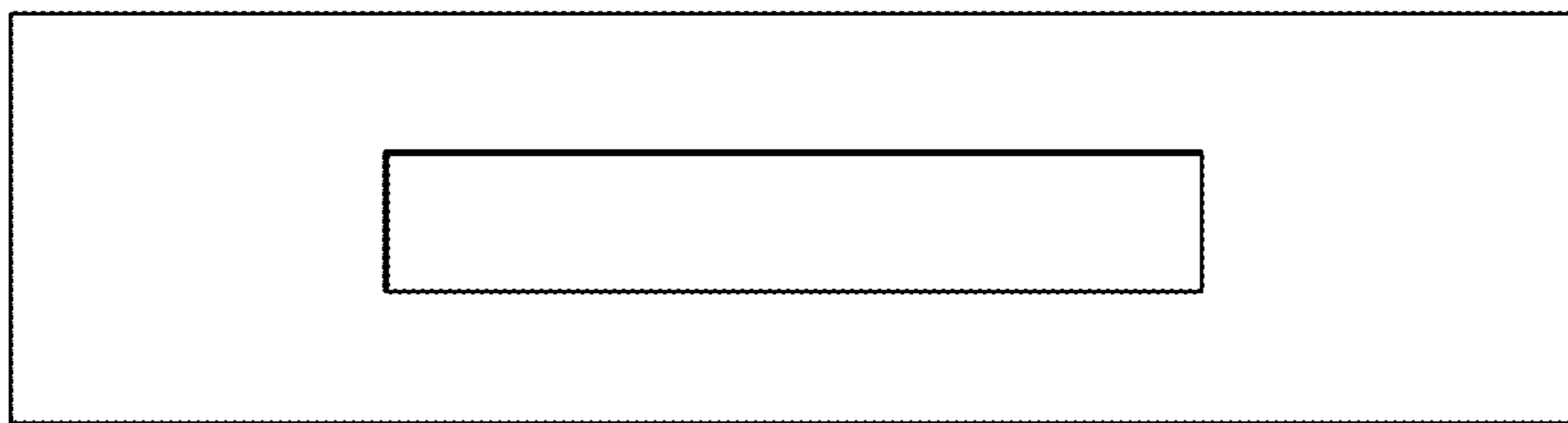


FIG. 3

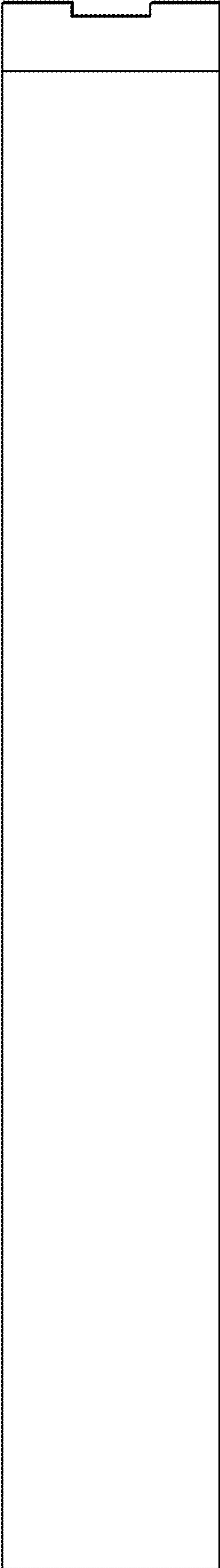


FIG. 4

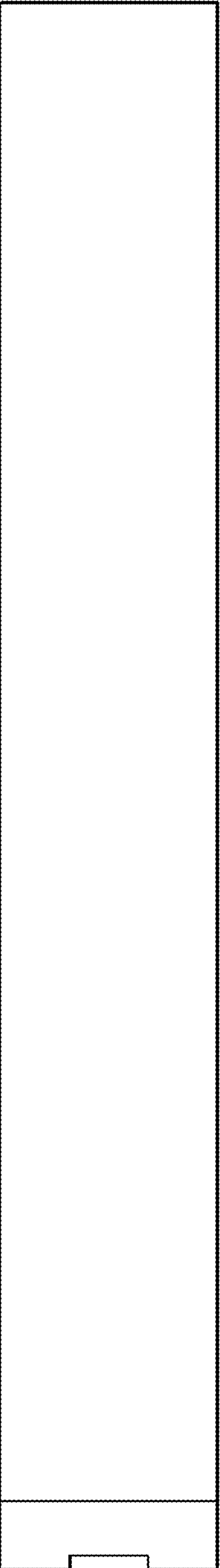


FIG. 5

FIG. 6

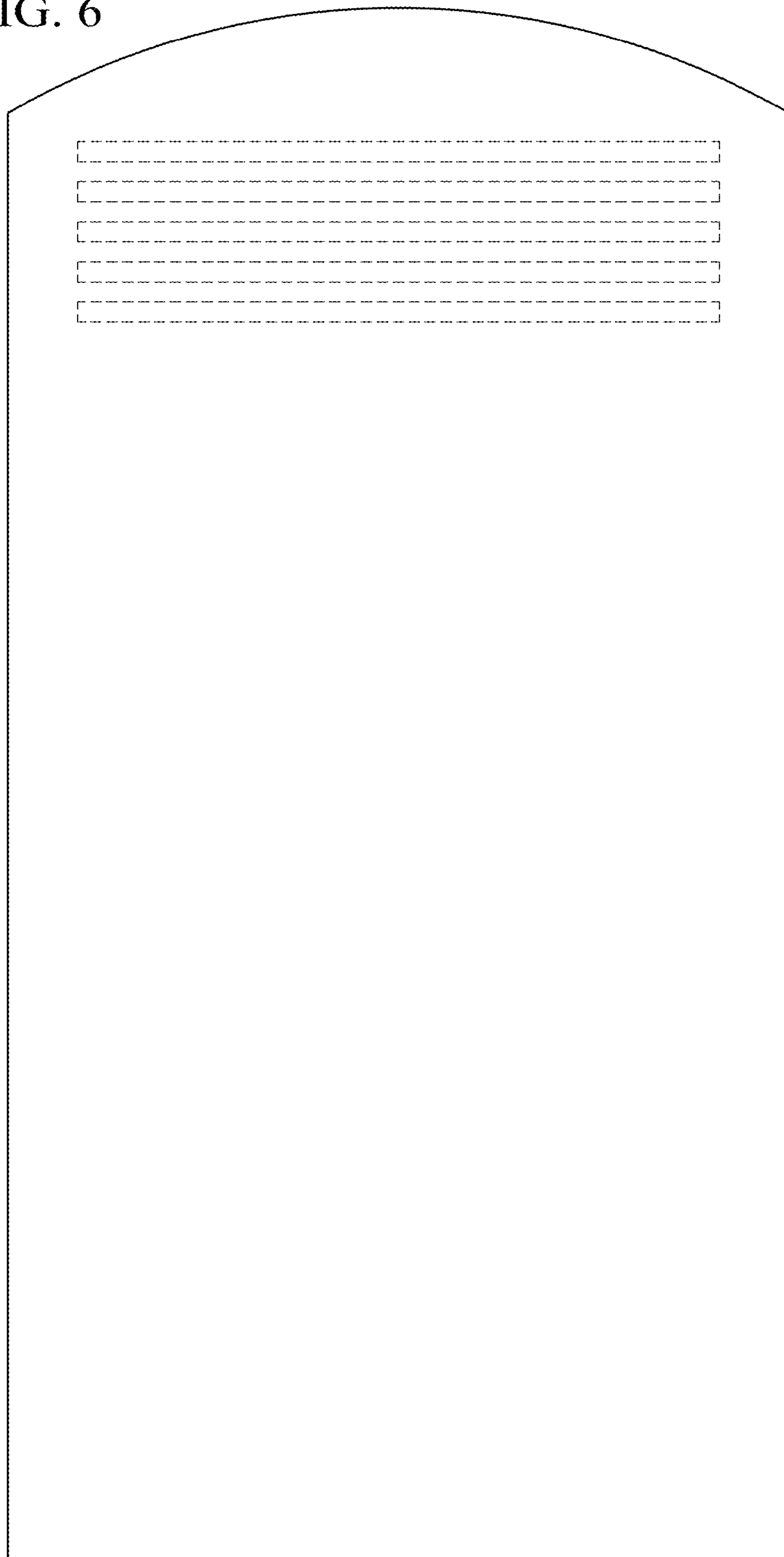


FIG. 7

