



US00D876714S

(12) **United States Design Patent** (10) **Patent No.:** **US D876,714 S**  
**Klus** (45) **Date of Patent:** **\*\* Feb. 25, 2020**

(54) **EXTRUSION FOR LED BASED LIGHTING APPARATUS**

(71) Applicant: **Sylwester Klus**, Kamionka (PL)

(72) Inventor: **Sylwester Klus**, Kamionka (PL)

(\*\*) Term: **15 Years**

(21) Appl. No.: **29/655,105**

(22) Filed: **Jun. 29, 2018**

(51) **LOC (12) Cl.** ..... **26-05**

(52) **U.S. Cl.**  
USPC ..... **D26/138**

(58) **Field of Classification Search**  
USPC ..... D26/72, 74, 76, 78-83, 85, 86, 88, 90,  
D26/93, 111, 113, 118, 119, 120, 121,  
D26/122, 138, 139, 140, 141, 142, 152  
CPC ..... F21S 2/00; F21S 4/00; F21S 4/003; F21S  
4/005; F21S 4/006; F21S 4/007; F21S  
4/008; F21S 6/00; F21S 8/00; F21S  
8/024; F21S 8/026; F21S 8/031; F21S  
8/033; F21S 8/035-037; F21S 8/04; F21S  
8/043; F21S 8/063  
See application file for complete search history.

(56) **References Cited**

**U.S. PATENT DOCUMENTS**

3,302,350	A	*	2/1967	Brown	.....	E04F 19/0436 52/288.1
D246,930	S	*	1/1978	Win	.....	D26/152
D393,083	S	*	3/1998	Caltrider	.....	D25/124
D497,758	S	*	11/2004	Goldberg	.....	D25/119
D522,297	S	*	6/2006	Miller	.....	D6/580
D649,689	S	*	11/2011	Trzesniowski	.....	D26/138
D649,690	S	*	11/2011	Trzesniowski	.....	D26/138
D649,693	S	*	11/2011	Trzesniowski	.....	D26/138

D698,076	S	*	1/2014	Klus	.....	D26/138
D757,993	S	*	5/2016	Klus	.....	D26/138
D800,374	S	*	10/2017	Klus	.....	D26/118
D806,939	S	*	1/2018	Klus	.....	D26/142
D807,570	S	*	1/2018	Klus	.....	D26/138
D808,577	S	*	1/2018	Klus	.....	D26/138
D834,241	S	*	11/2018	Trzielinski	.....	D26/142
D834,919	S	*	12/2018	Macdonald	.....	D8/348
D847,380	S	*	4/2019	Singh	.....	D25/119
D868,354	S	*	11/2019	Trzielinski	.....	D26/138
D869,075	S	*	12/2019	Trzielinski	.....	D26/138

\* cited by examiner

*Primary Examiner* — *Natasha Vujcic*  
(74) *Attorney, Agent, or Firm* — *Mark Terry*

(57) **CLAIM**

The ornamental design for a extrusion for LED based lighting apparatus, as shown and described.

**DESCRIPTION**

FIG. 1 is a front perspective view of the extrusion for LED based lighting apparatus, showing the new design; FIG. 2 is a rear perspective view thereof; FIG. 3 is a left side view thereof; FIG. 4 is a bottom view thereof; FIG. 5 is a right side view thereof; FIG. 6 is a top view thereof; FIG. 7 is another left side view thereof; FIG. 8 is a rear view thereof; FIG. 9 is another right side view thereof; FIG. 10 is a front view thereof; FIG. 11 is a front perspective exploded view thereof; and, FIG. 12 is a rear perspective exploded view thereof. The uniformly dashed lines shown in the drawings illustrate portions of the extrusion for LED based lighting apparatus which form no part of the claimed design.

**1 Claim, 5 Drawing Sheets**

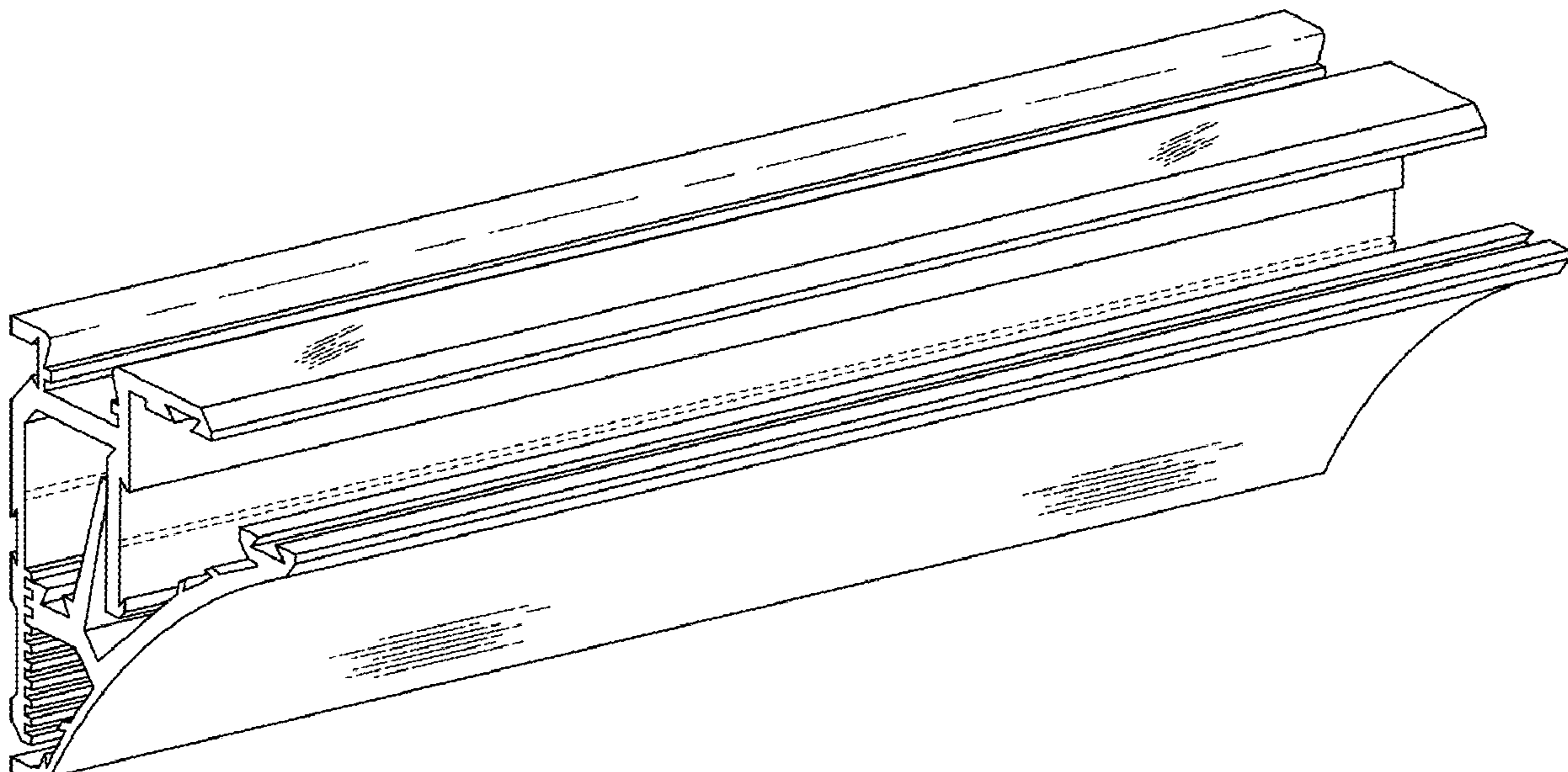


FIG. 1

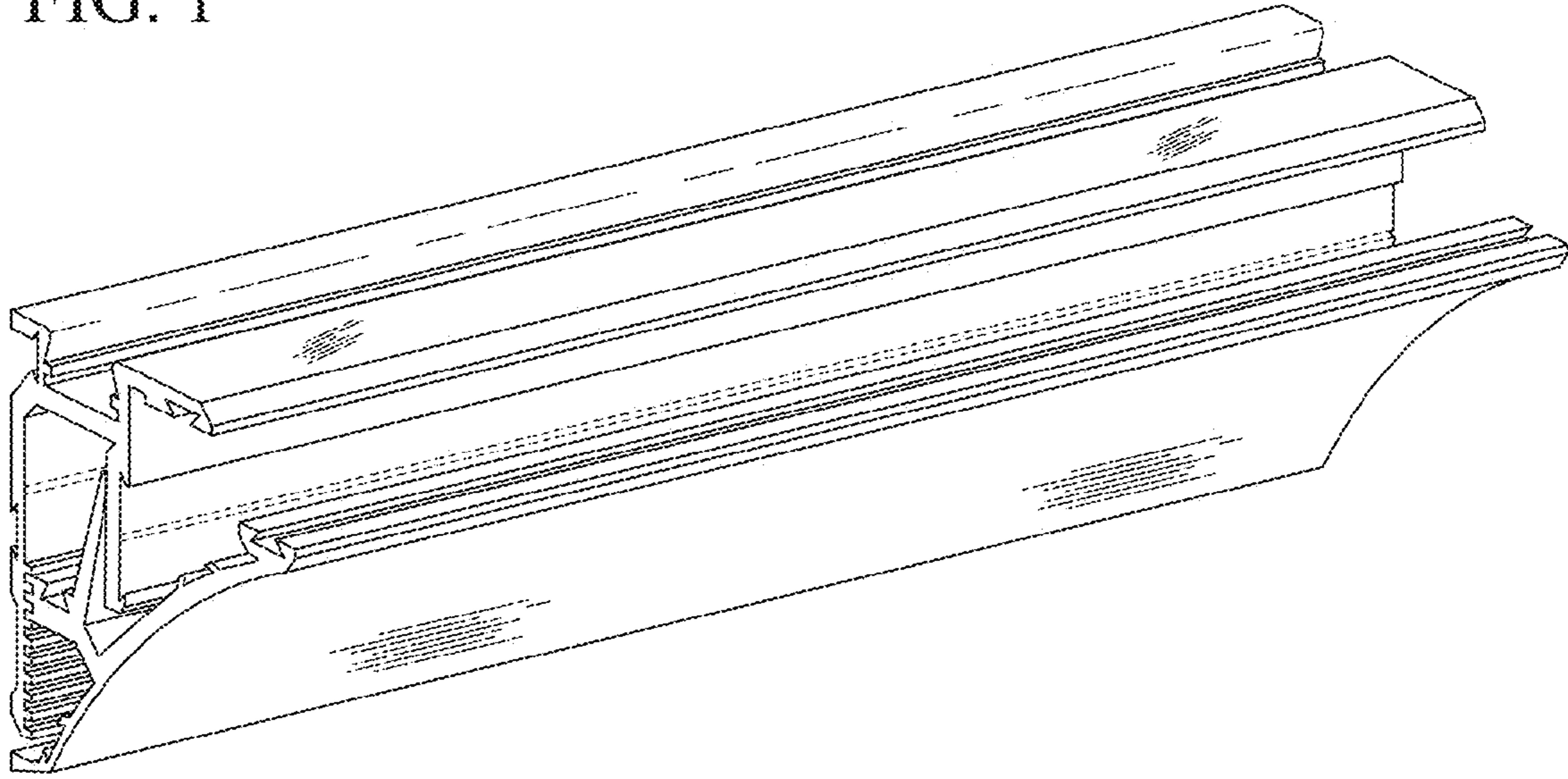


FIG. 2

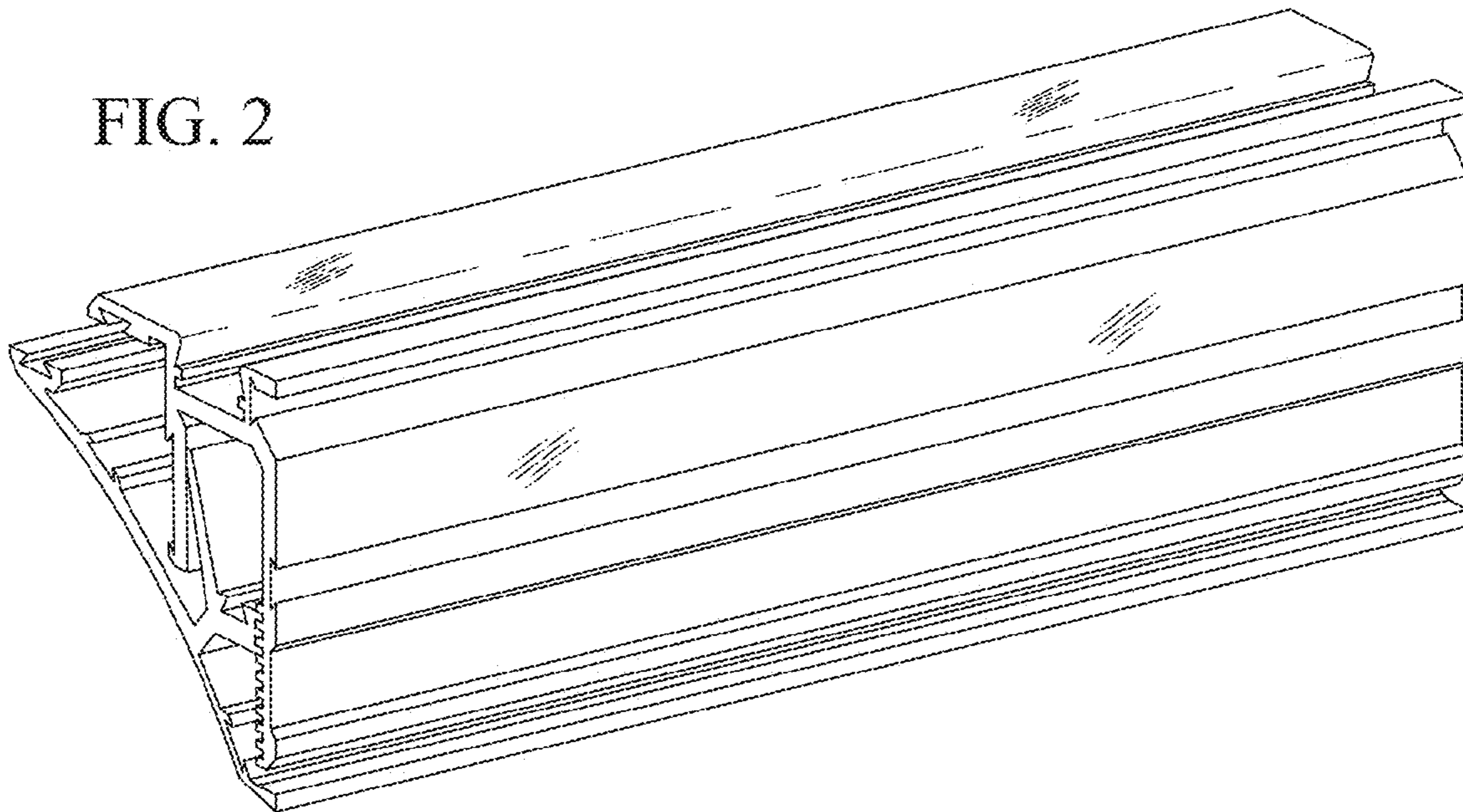


FIG. 3

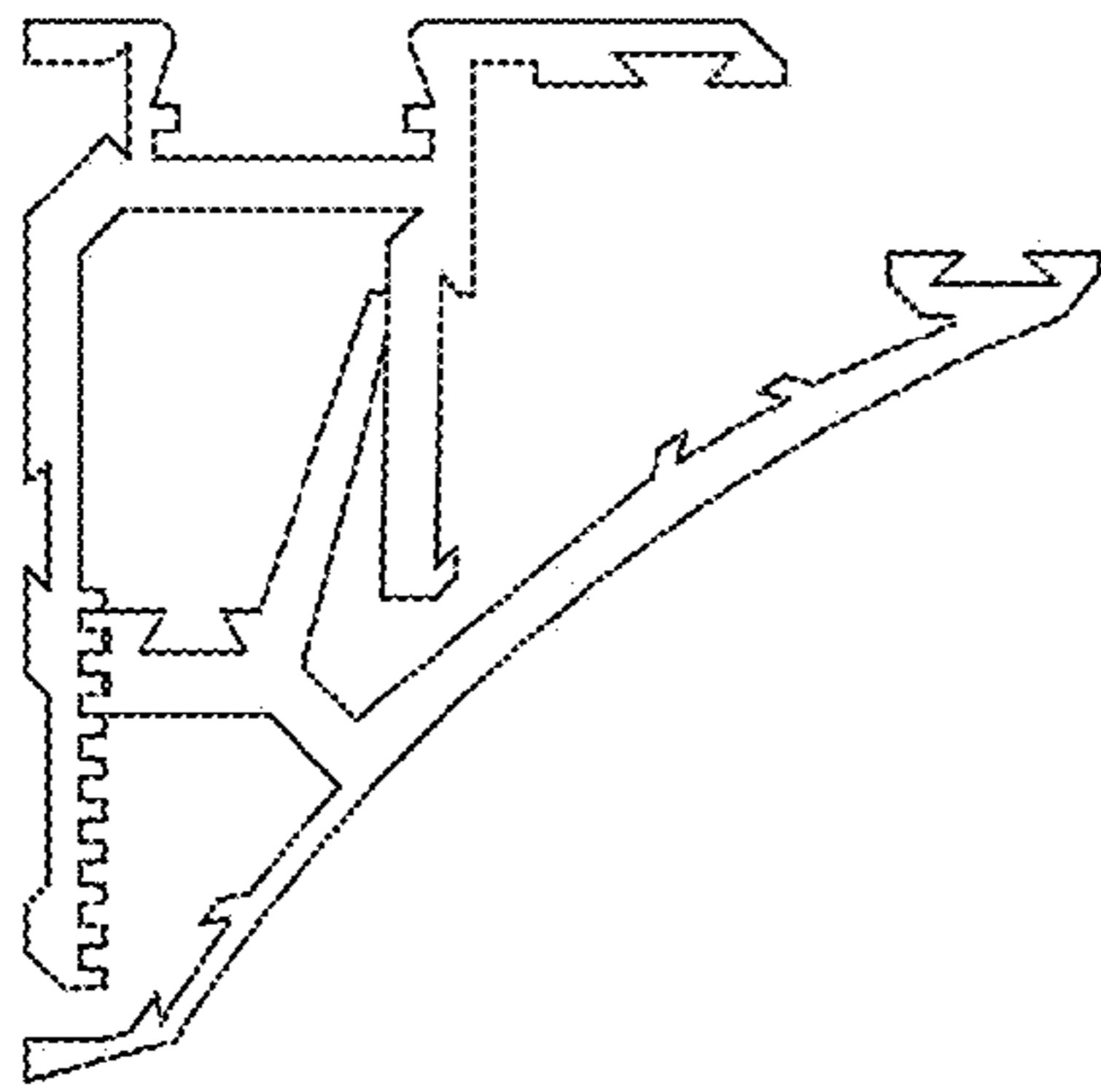


FIG. 5

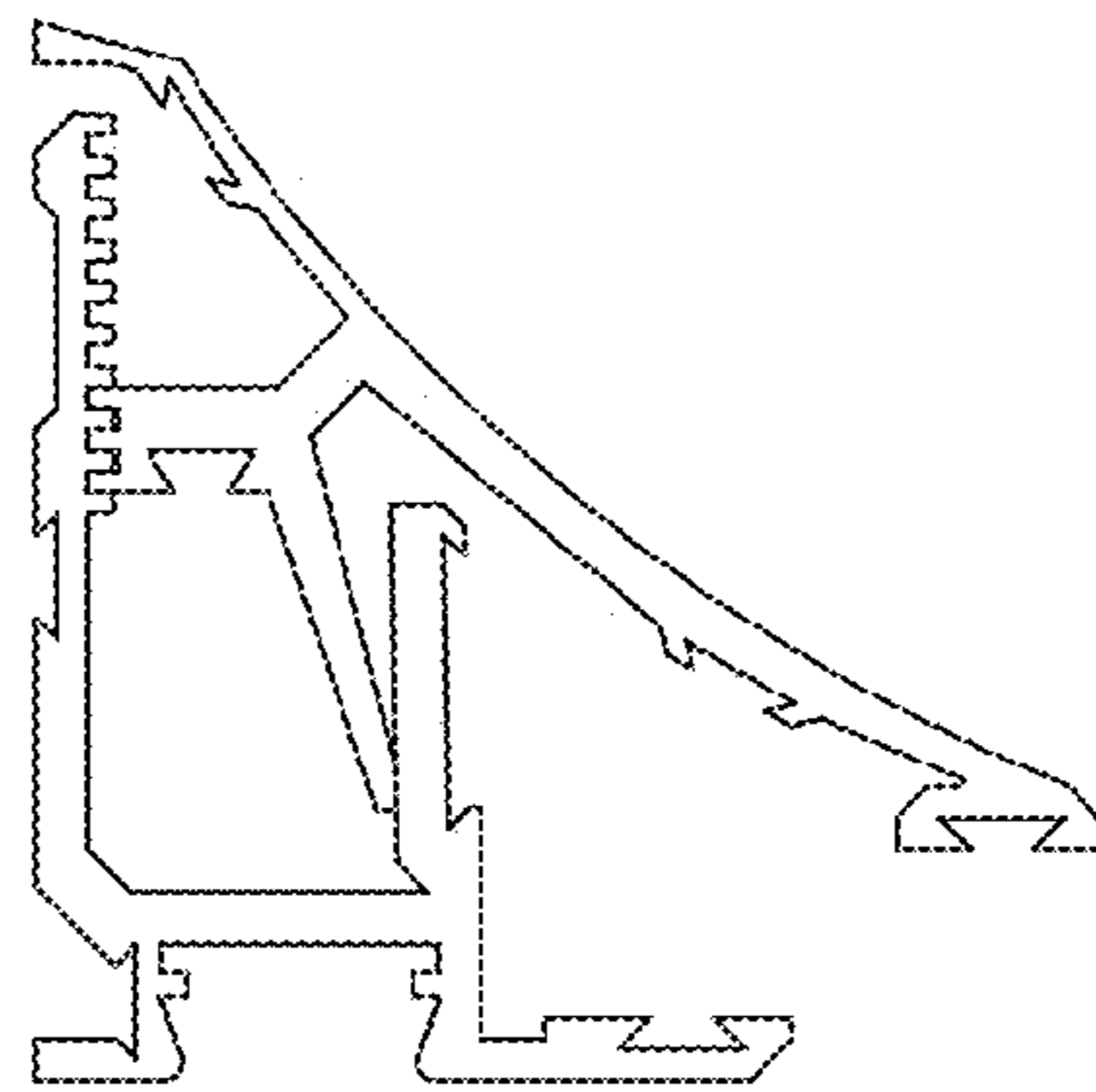


FIG. 4

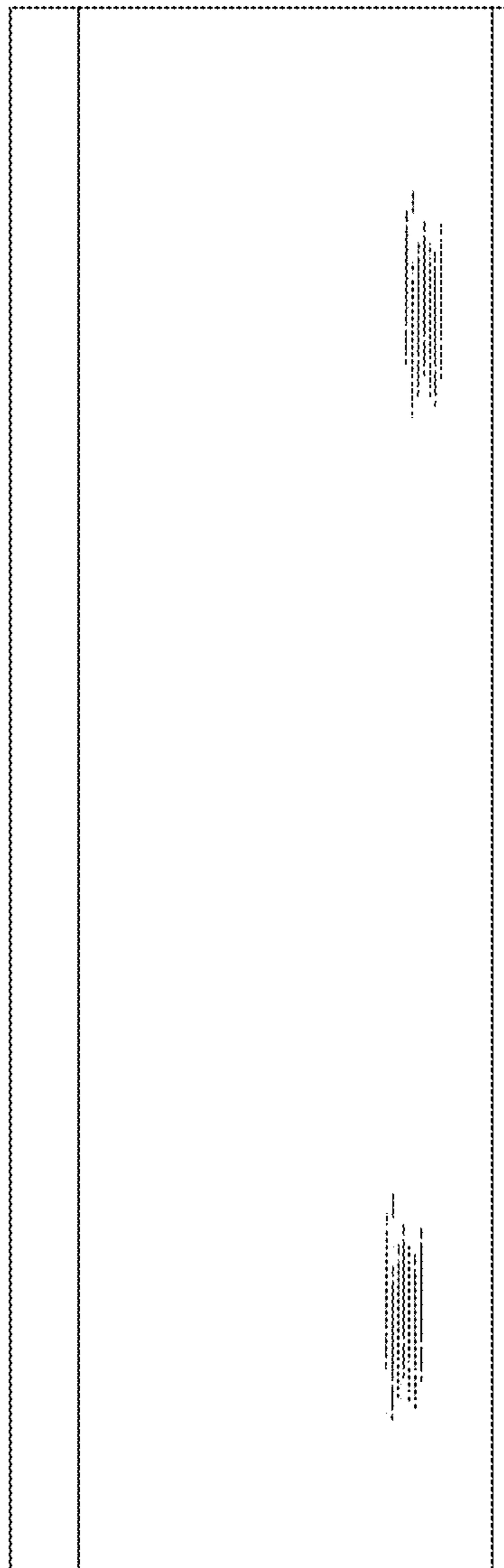


FIG. 6

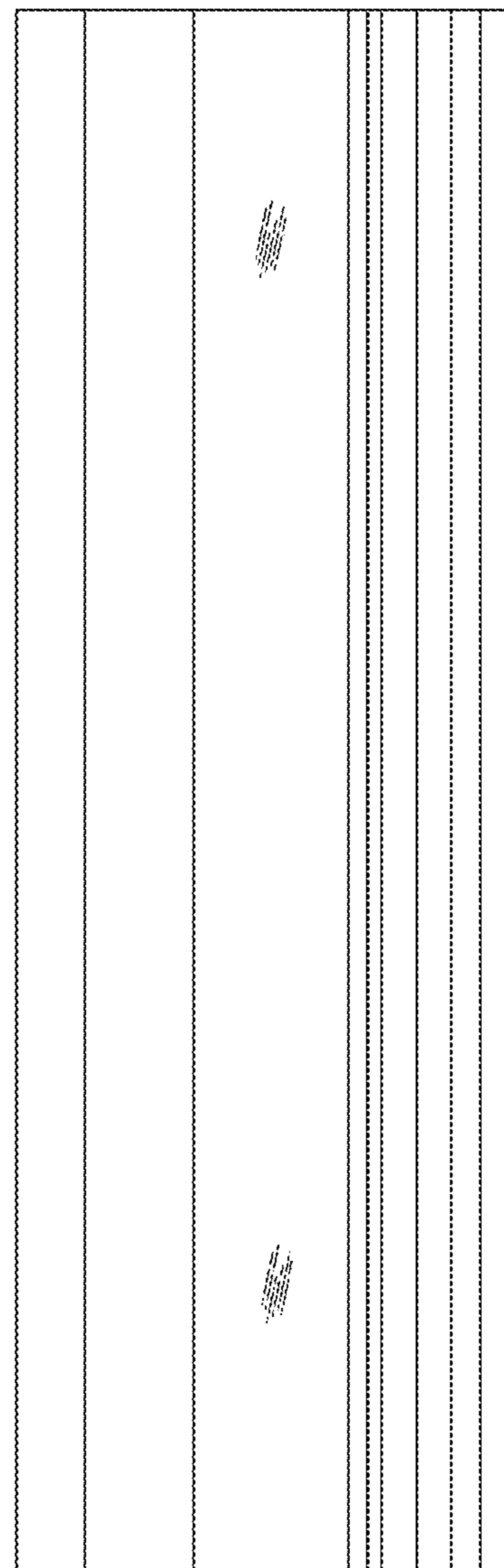


FIG. 7

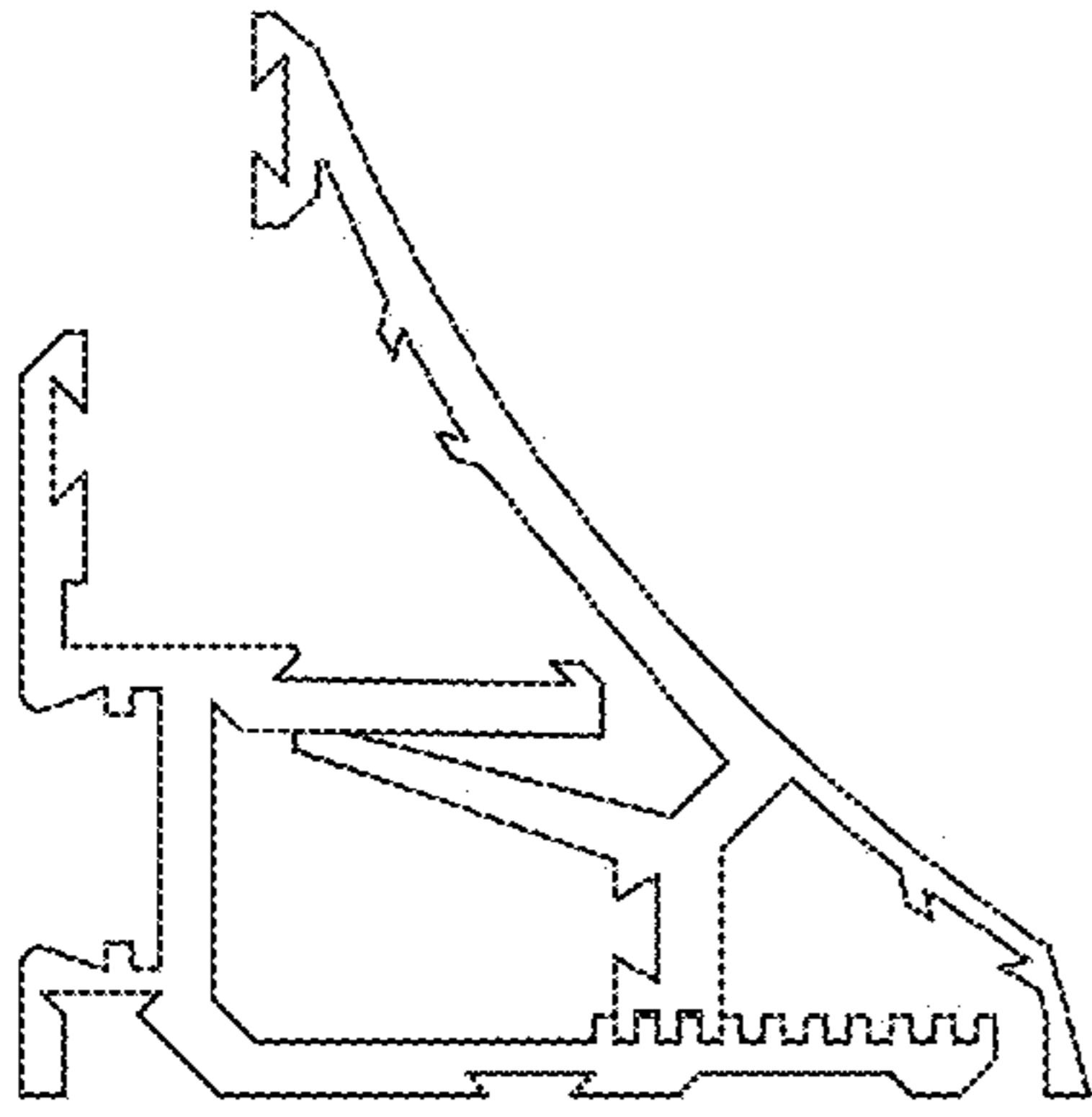


FIG. 9

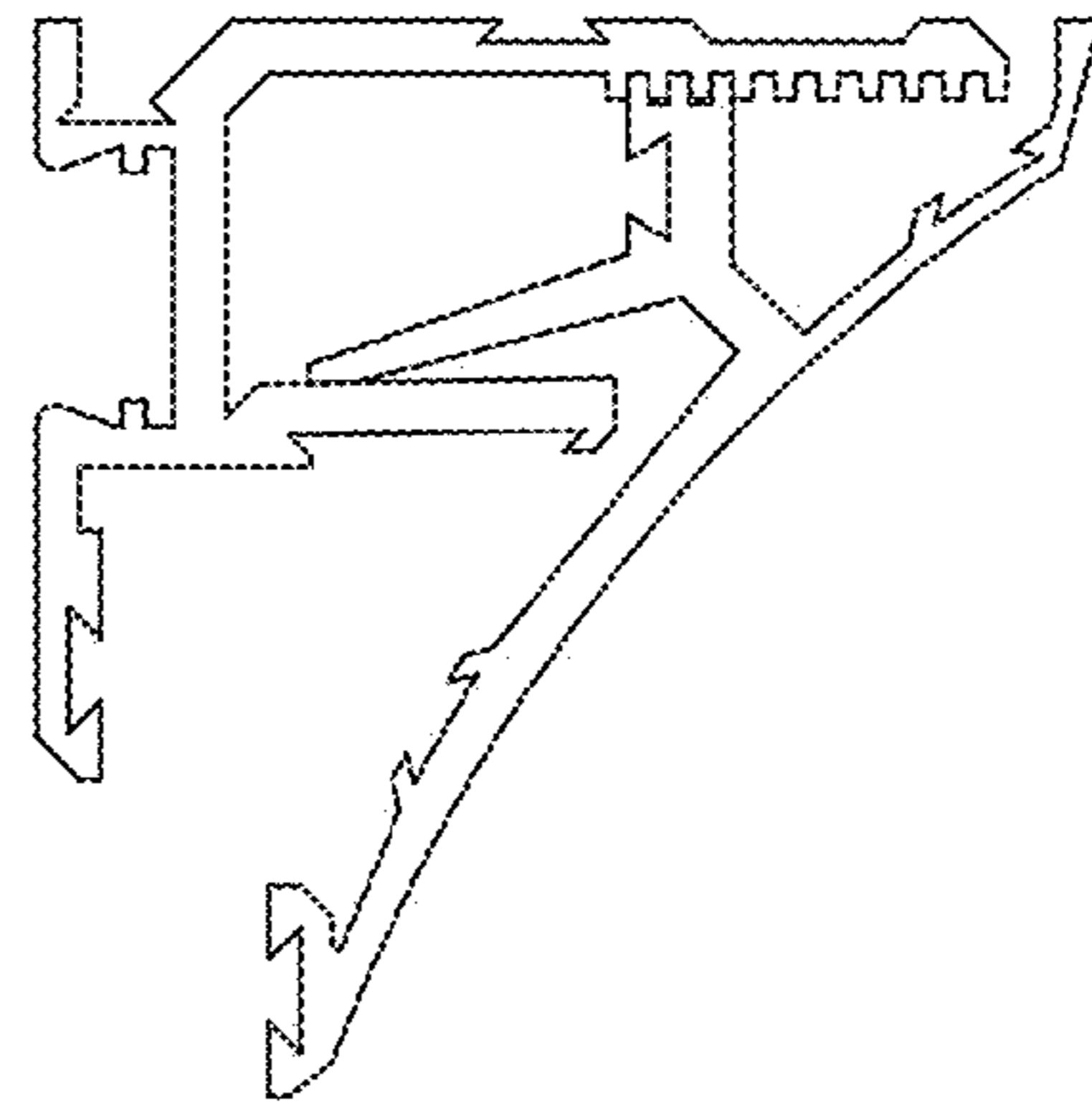


FIG. 8

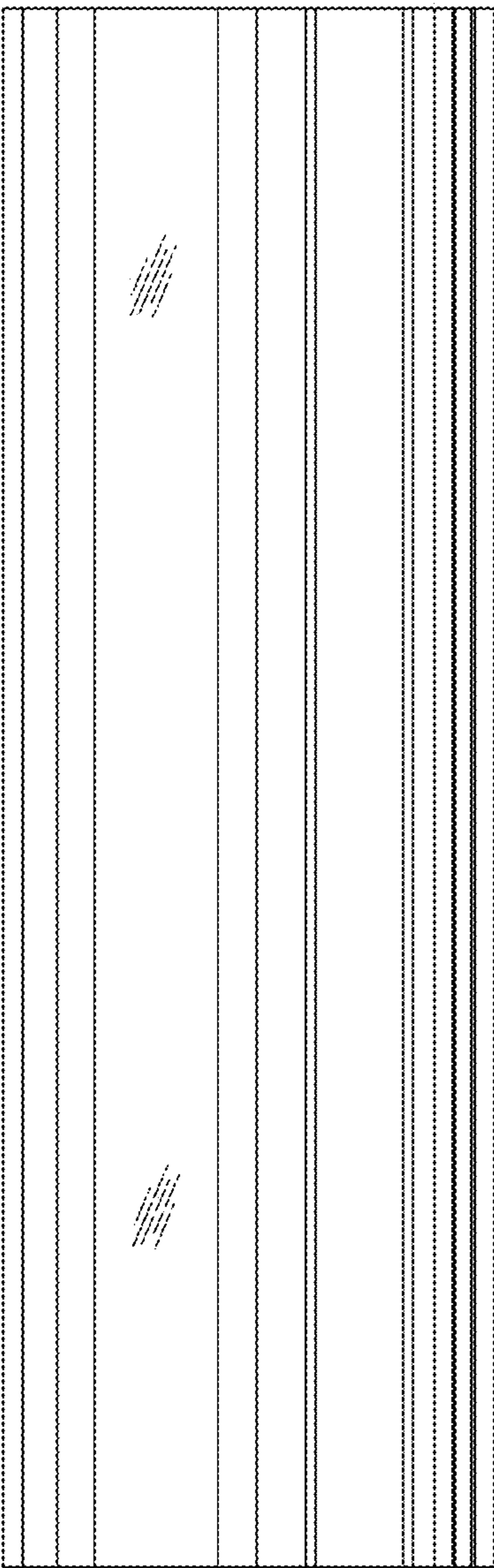


FIG. 10

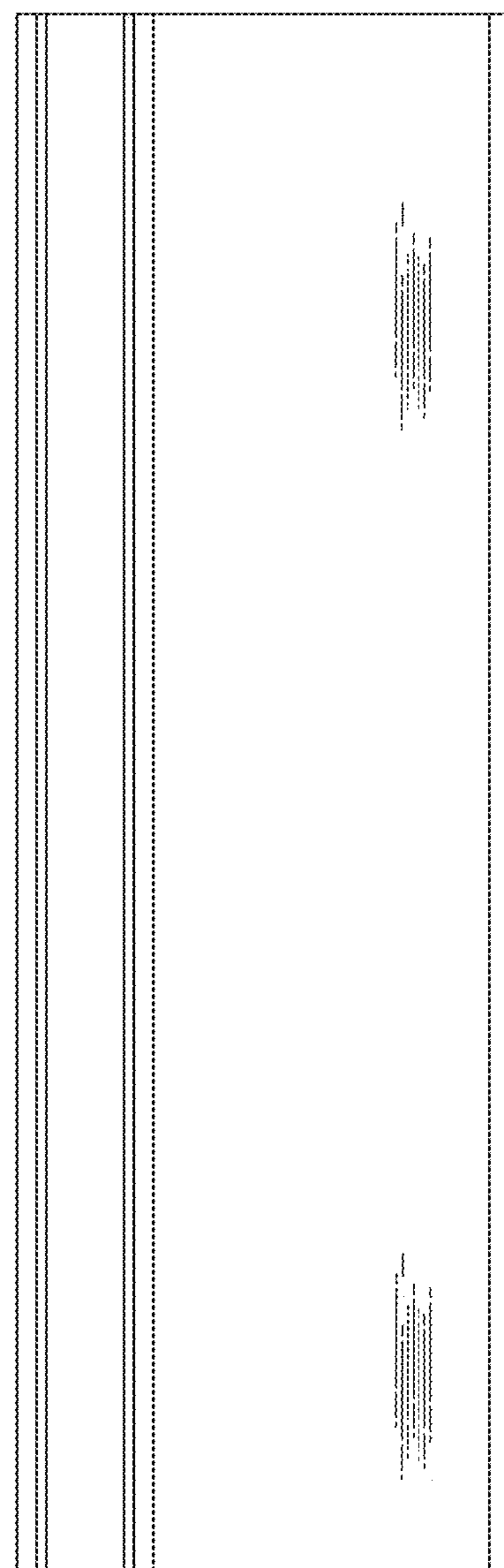


FIG. 11

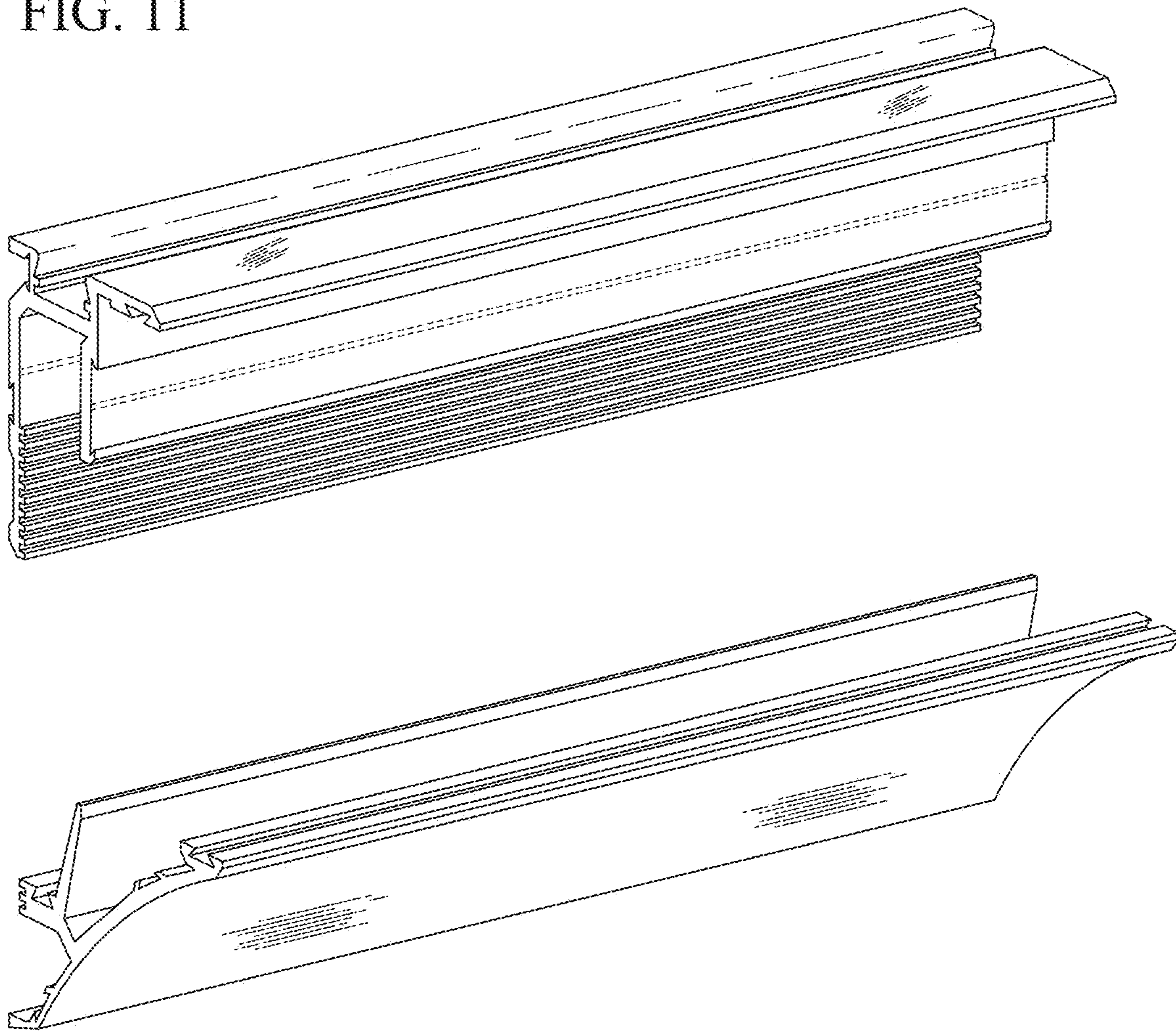


FIG. 12

