



US00D876710S

(12) **United States Design Patent** (10) **Patent No.:** **US D876,710 S**
Feeney et al. (45) **Date of Patent:** **** Feb. 25, 2020**

(54) **LIGHT FIXTURE**

(71) Applicant: **Apple Inc.**, Cupertino, CA (US)
(72) Inventors: **James Casey Feeney**, Los Gatos, CA (US); **Kully Kraig Mandon**, San Francisco, CA (US); **David Kahl Peschel**, San Carlos, CA (US)

(73) Assignee: **Apple Inc.**, Cupertino, CA (US)

(**) Term: **15 Years**

(21) Appl. No.: **29/629,102**

(22) Filed: **Dec. 11, 2017**

(51) **LOC (12) Cl.** **26-99**

(52) **U.S. Cl.**
USPC **D26/113**

(58) **Field of Classification Search**
USPC D26/1, 24, 90, 106, 113, 118, 145
CPC F21S 6/00; F21S 6/002; F21S 10/00; F21S 10/002; F21V 14/00; F21V 21/02; F21W 2131/30

See application file for complete search history.

(56) **References Cited**

U.S. PATENT DOCUMENTS

D293,030 S	12/1987	Vladescu	
D387,459 S	12/1997	Cool	
D451,627 S	12/2001	Dolan	
D589,641 S	3/2009	Sabernig	
D595,891 S *	7/2009	Sabernig	D26/90
D598,156 S	8/2009	Xiao et al.	
D624,689 S	9/2010	Kao	
D674,526 S	1/2013	Hirai et al.	
D681,865 S	5/2013	Lee	
D698,992 S *	2/2014	Rischau	D26/145
D729,433 S	5/2015	Bridger et al.	
D731,699 S *	6/2015	Fishman	D26/106
D756,022 S *	5/2016	Shipman	D26/113

(Continued)

OTHER PUBLICATIONS

Vode, "400 Series Monopoint System T5 Table Mount/2" Anchor/Remote Ballast/Square Arm/Double Rail Installation Guide," vode.com, dated 2010, 2 pages.

(Continued)

Primary Examiner — Brian N. Vinson

(74) *Attorney, Agent, or Firm* — Sterne, Kessler, Goldstein & Fox P.L.L.C.

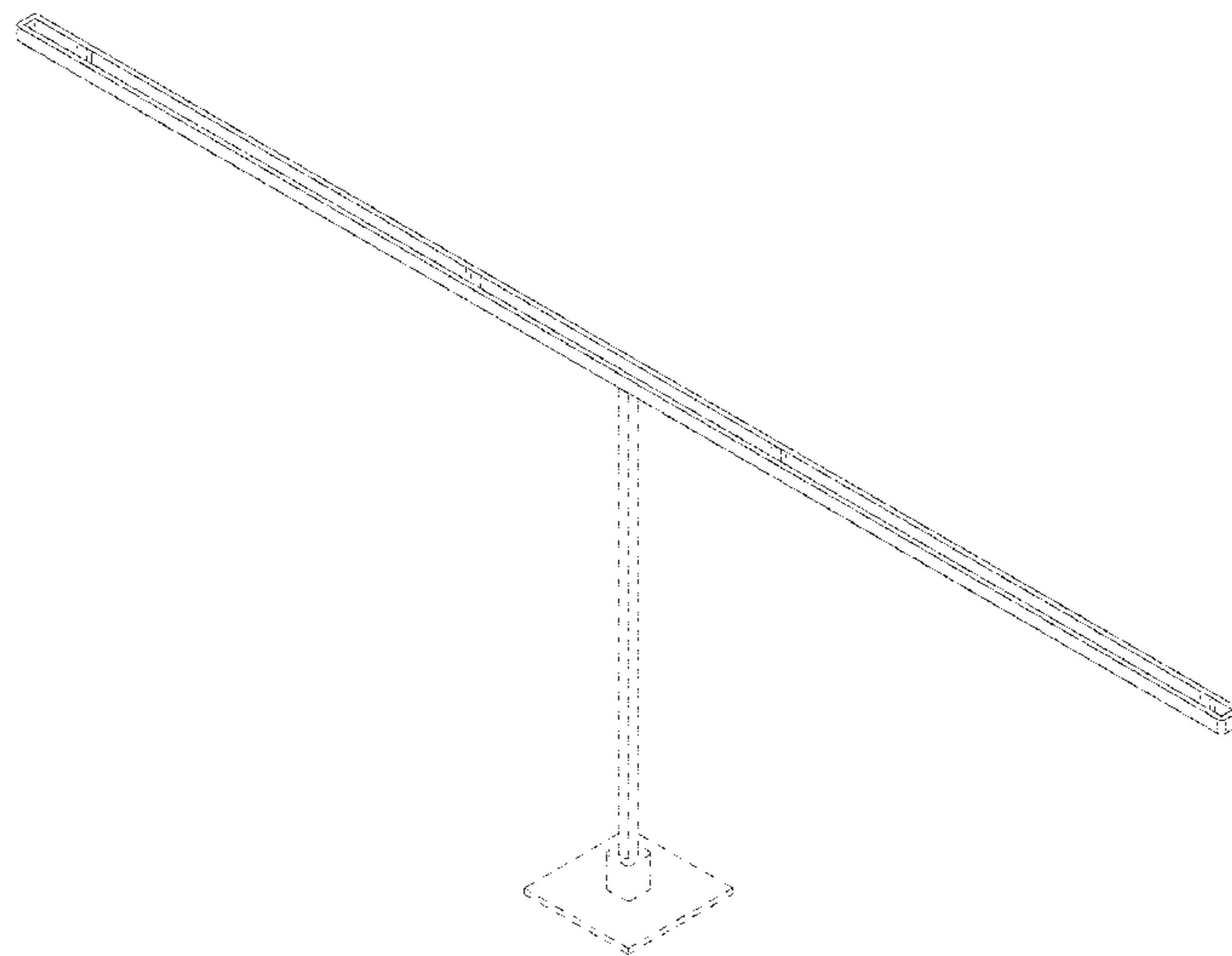
(57) **CLAIM**

The ornamental design for a light fixture, as shown and described.

DESCRIPTION

FIG. 1 is a top front perspective view of a light fixture showing the claimed design;
FIG. 2 is a front view thereof;
FIG. 3 is a rear view thereof;
FIG. 4 is a left side view thereof;
FIG. 5 is a right side view thereof;
FIG. 6 is a top view thereof;
FIG. 7 is a bottom view thereof;
FIG. 8 is a perspective view thereof showing the light fixture in an environment in which it may be used;
FIG. 9 is a top front perspective view of a light fixture showing the claimed design;
FIG. 10 is a front view thereof;
FIG. 11 is a rear view thereof;
FIG. 12 is a left side view thereof;
FIG. 13 is a right side view thereof;
FIG. 14 is a top view thereof;
FIG. 15 is a bottom view thereof; and,
FIG. 16 is a perspective view thereof showing the light fixture in an environment in which it may be used.
The broken lines in the figures show portions of the light fixture and environment that form no part of the claimed design.

1 Claim, 12 Drawing Sheets



(56)

References Cited

U.S. PATENT DOCUMENTS

D776,327 S * 1/2017 Ng D26/106
D793,000 S * 7/2017 Sonneman D26/113

OTHER PUBLICATIONS

Pablo Pardo, "BRAZO," pablodesigns.com, dated 2007/2008, 3 pages.

Pablo Pardo, "LIM," pablodesigns.com, dated 2009, 3 pages.

* cited by examiner

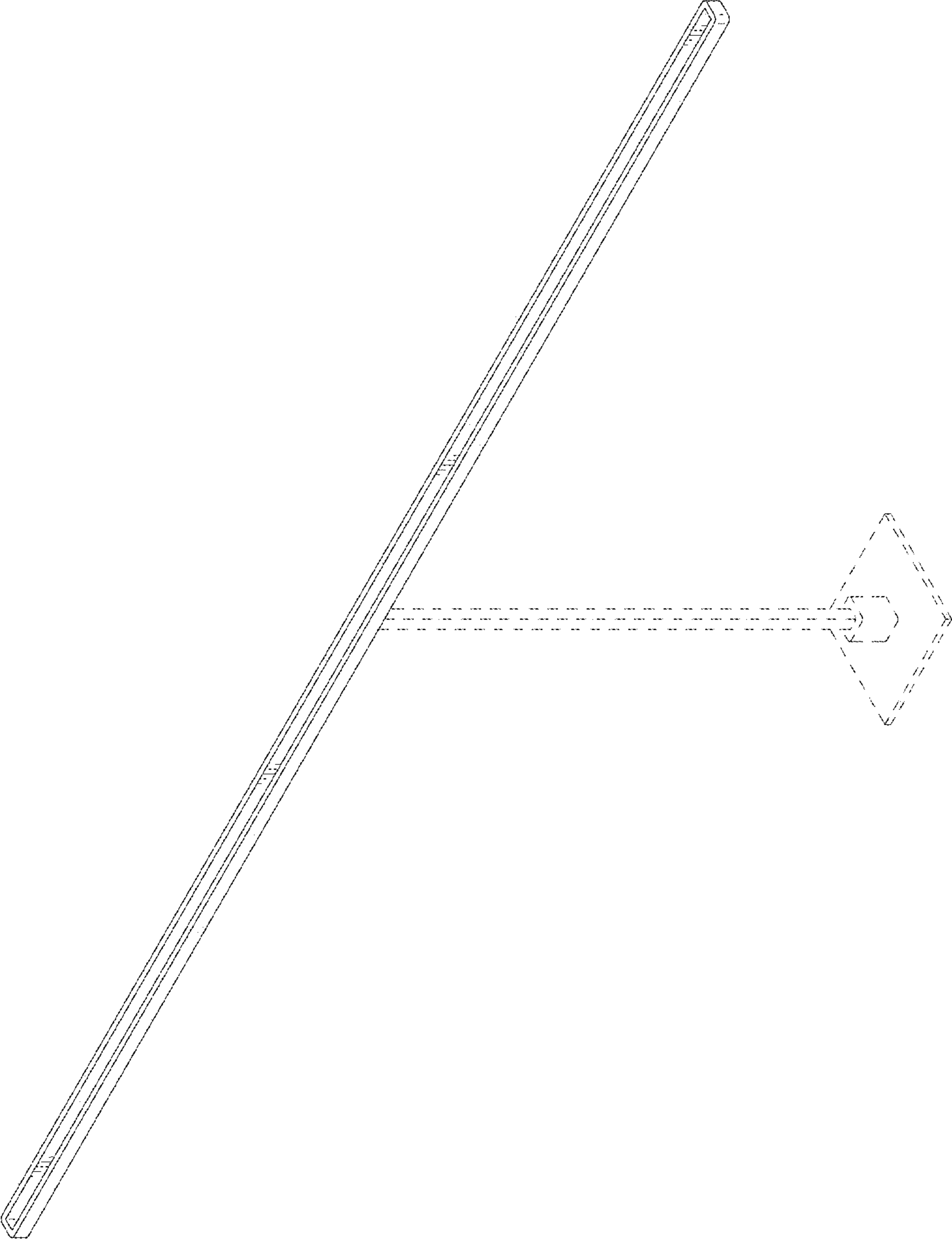


FIG. 1

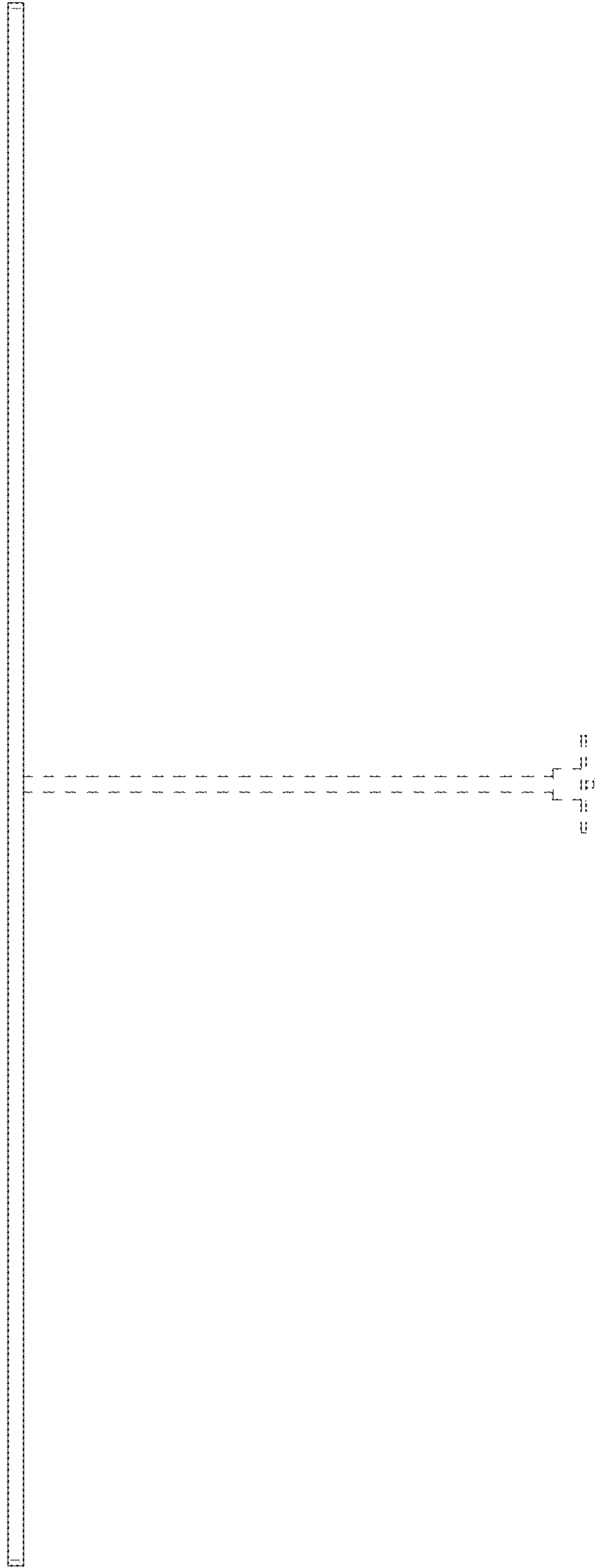


FIG. 2

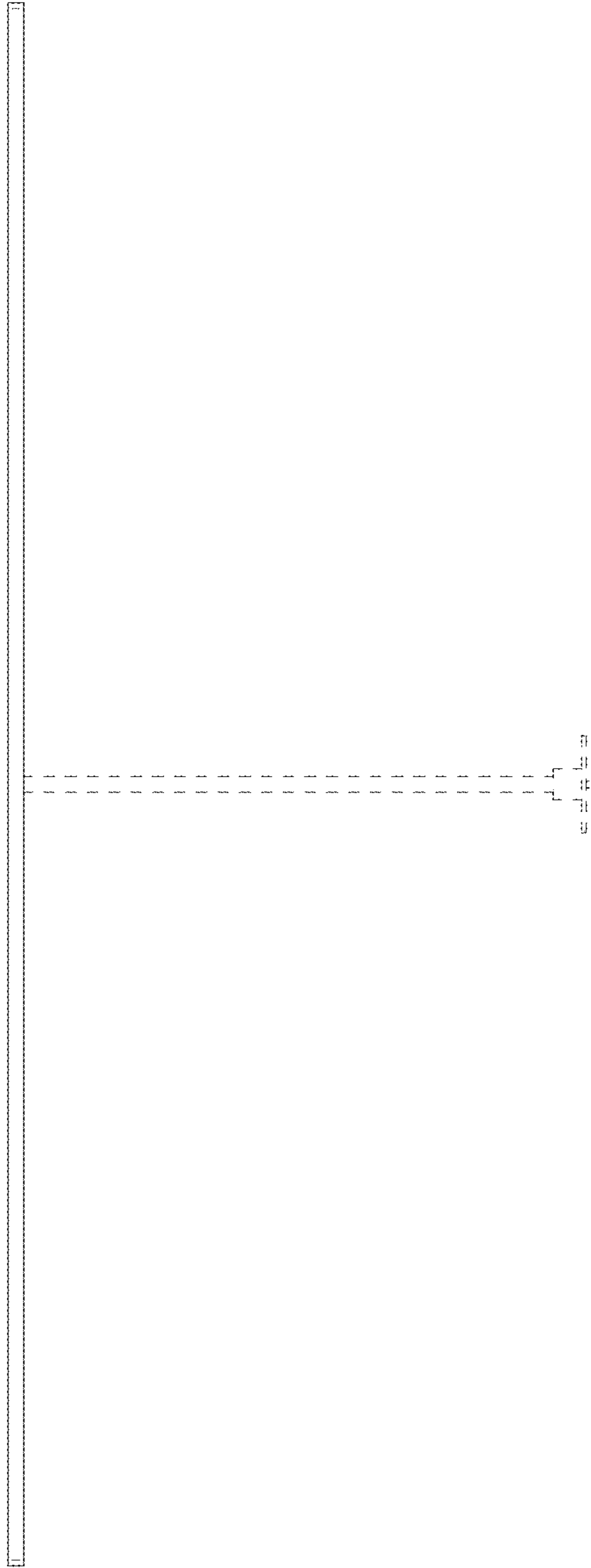


FIG. 3

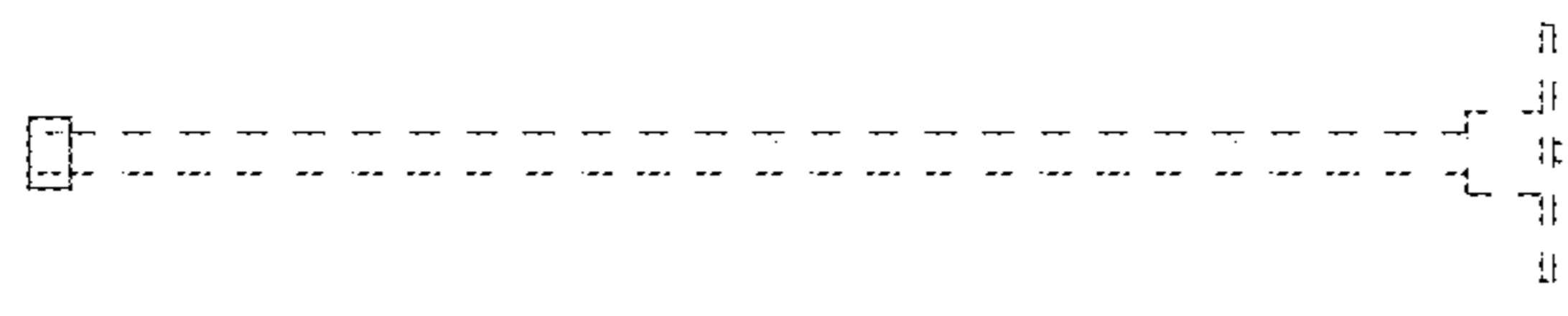


FIG. 5

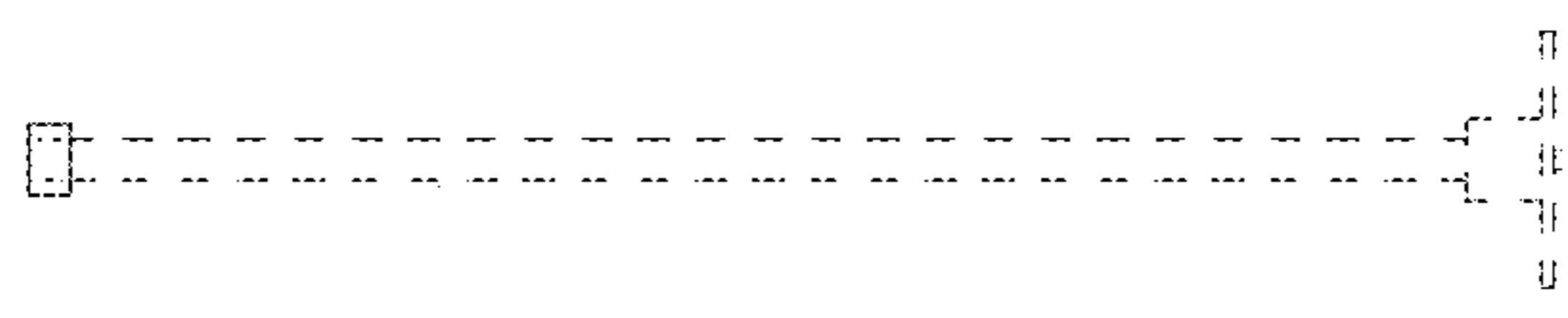


FIG. 4

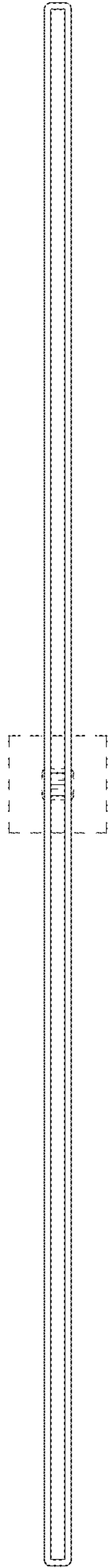


FIG. 6

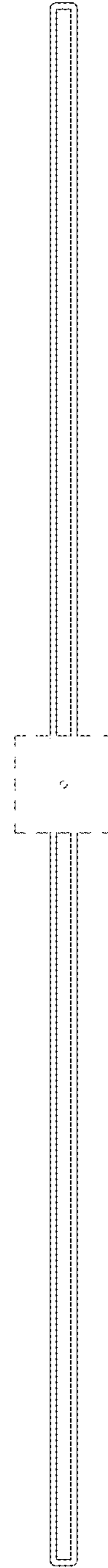


FIG. 7

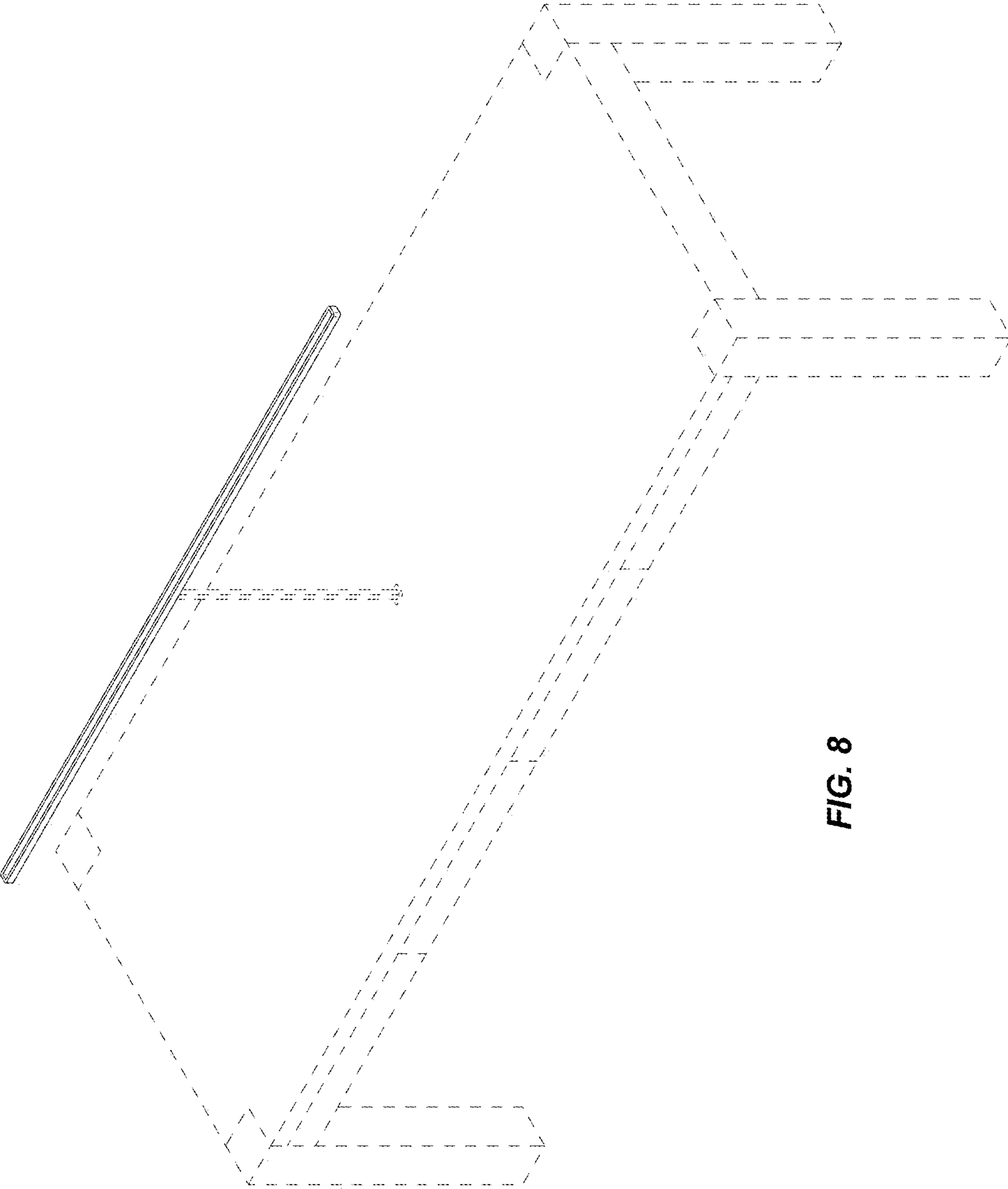


FIG. 8

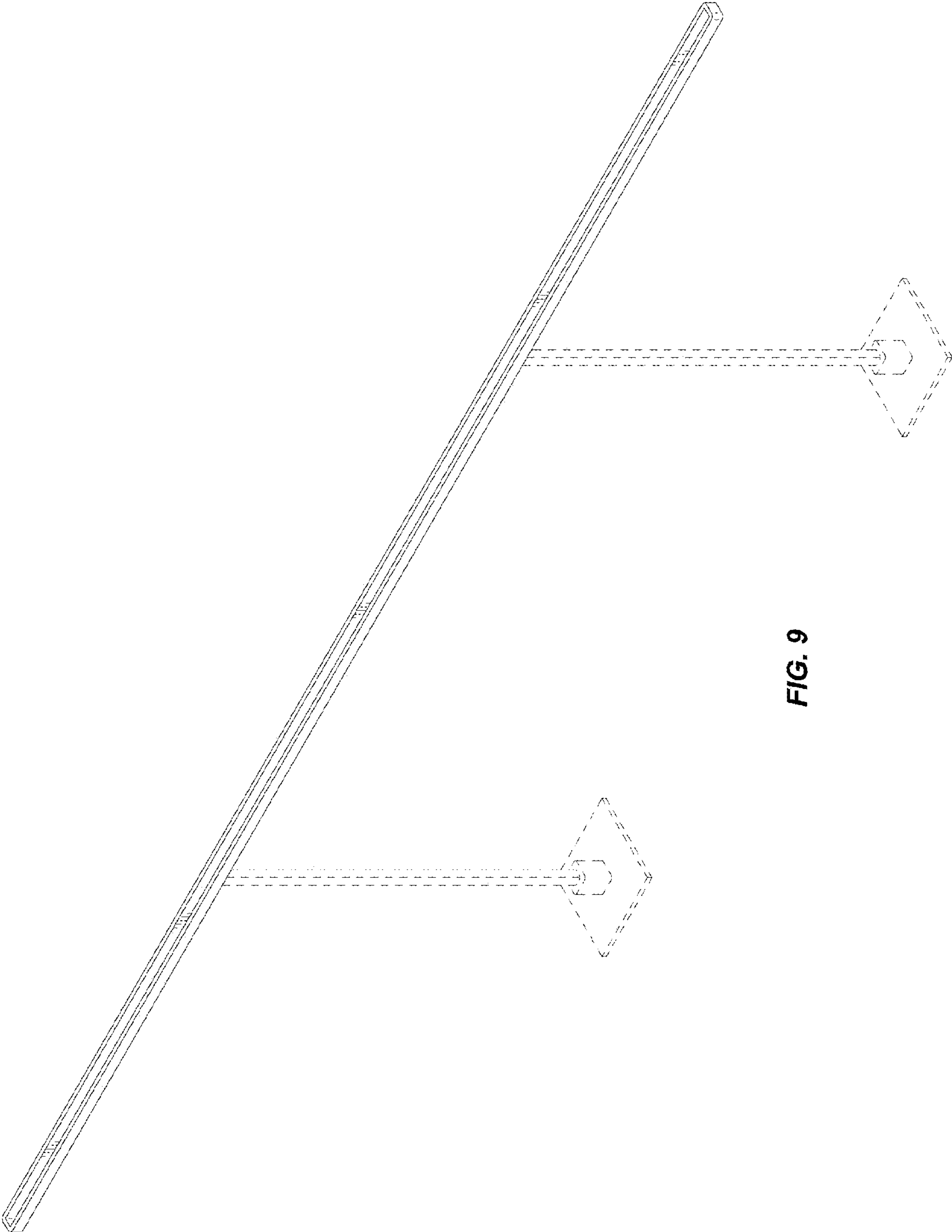


FIG. 9

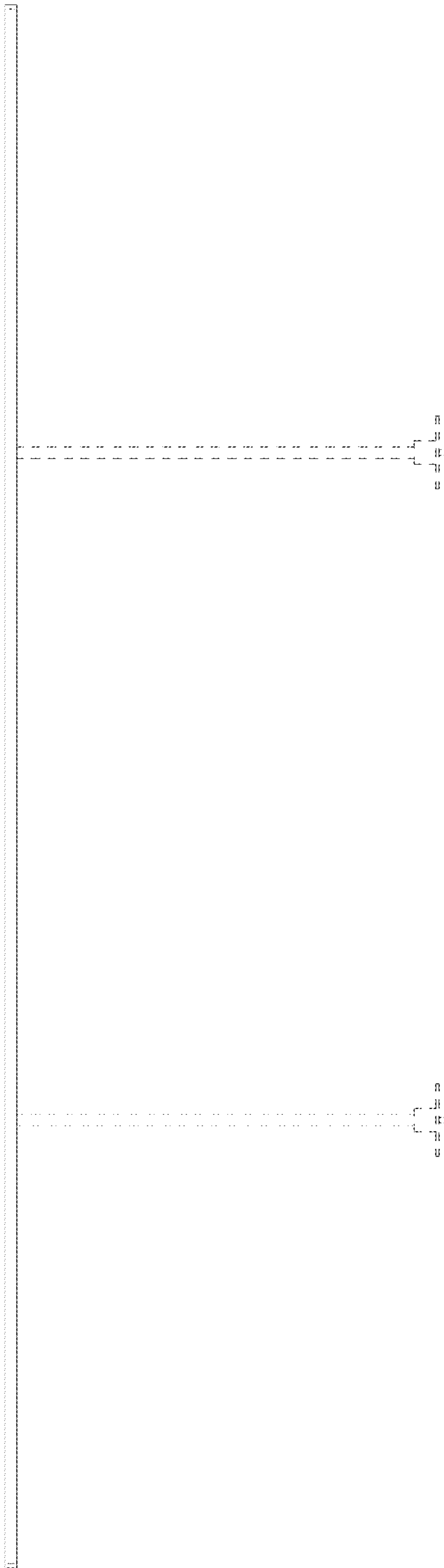


FIG. 10

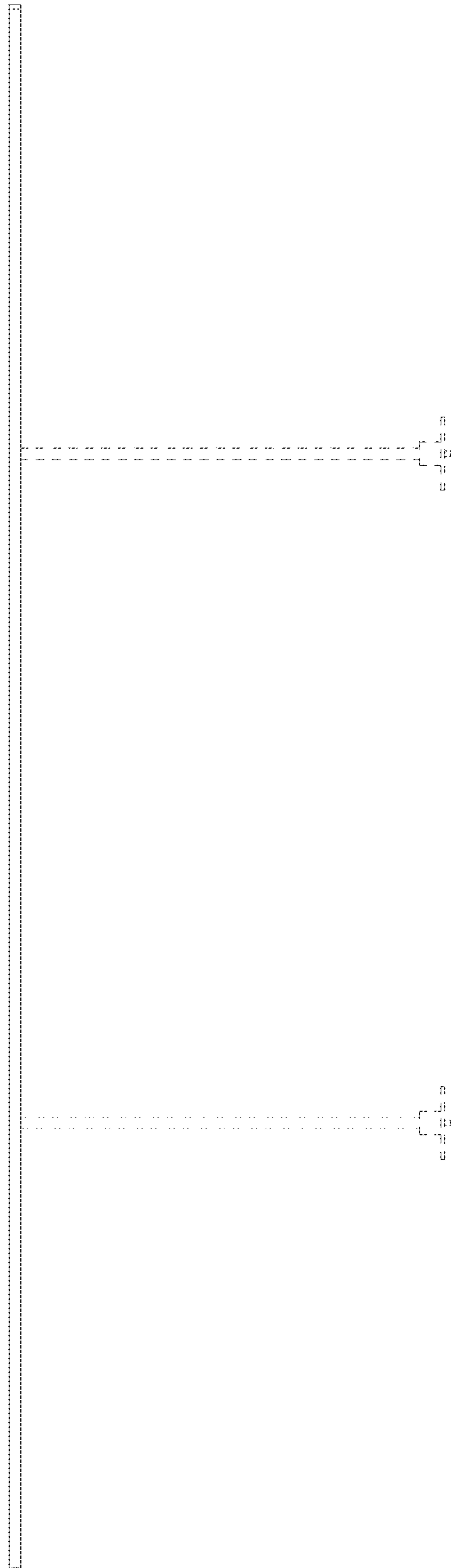


FIG. 11

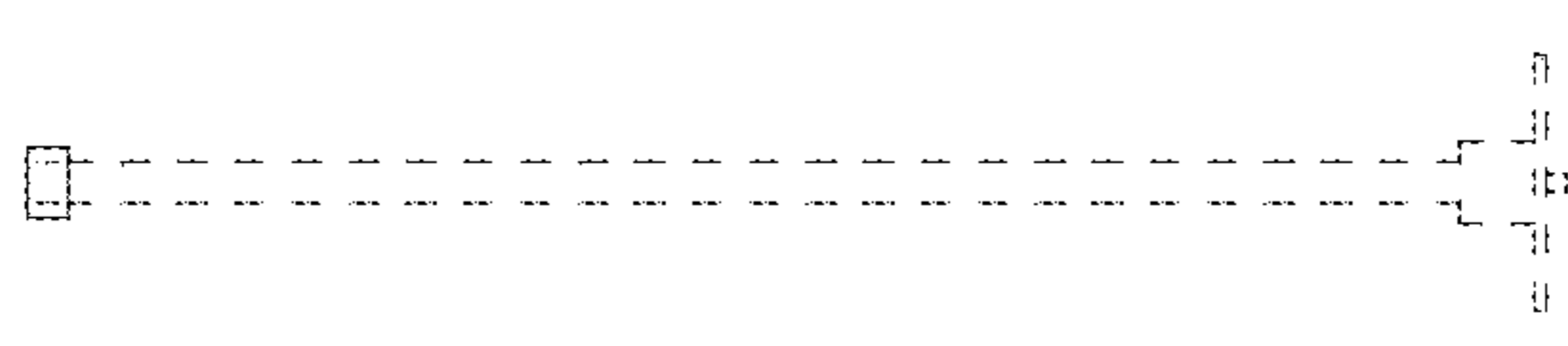


FIG. 12

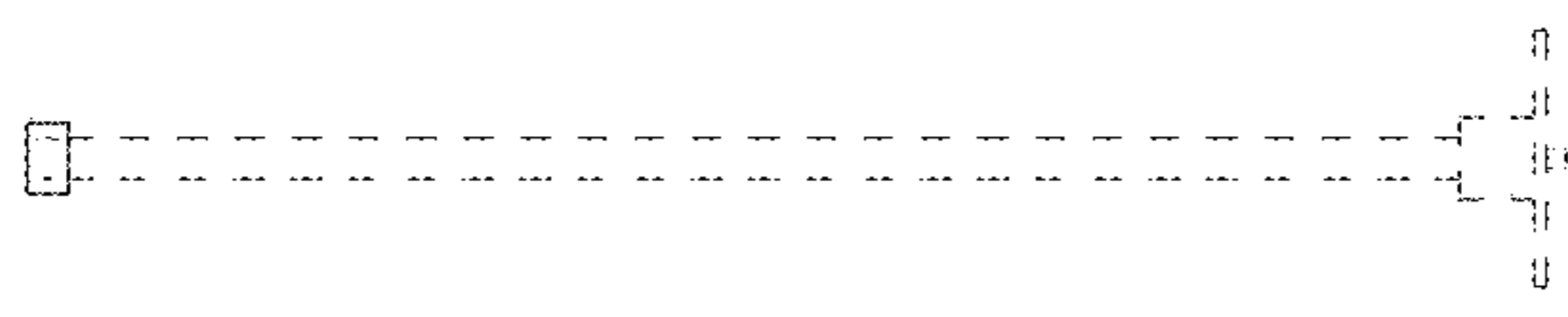


FIG. 13

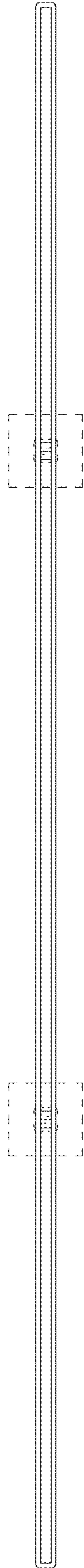


FIG. 14

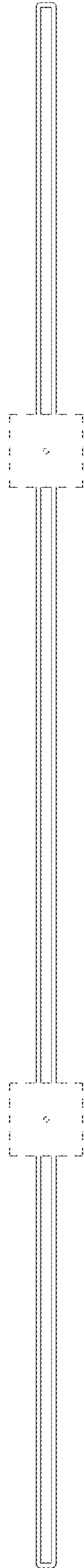


FIG. 15

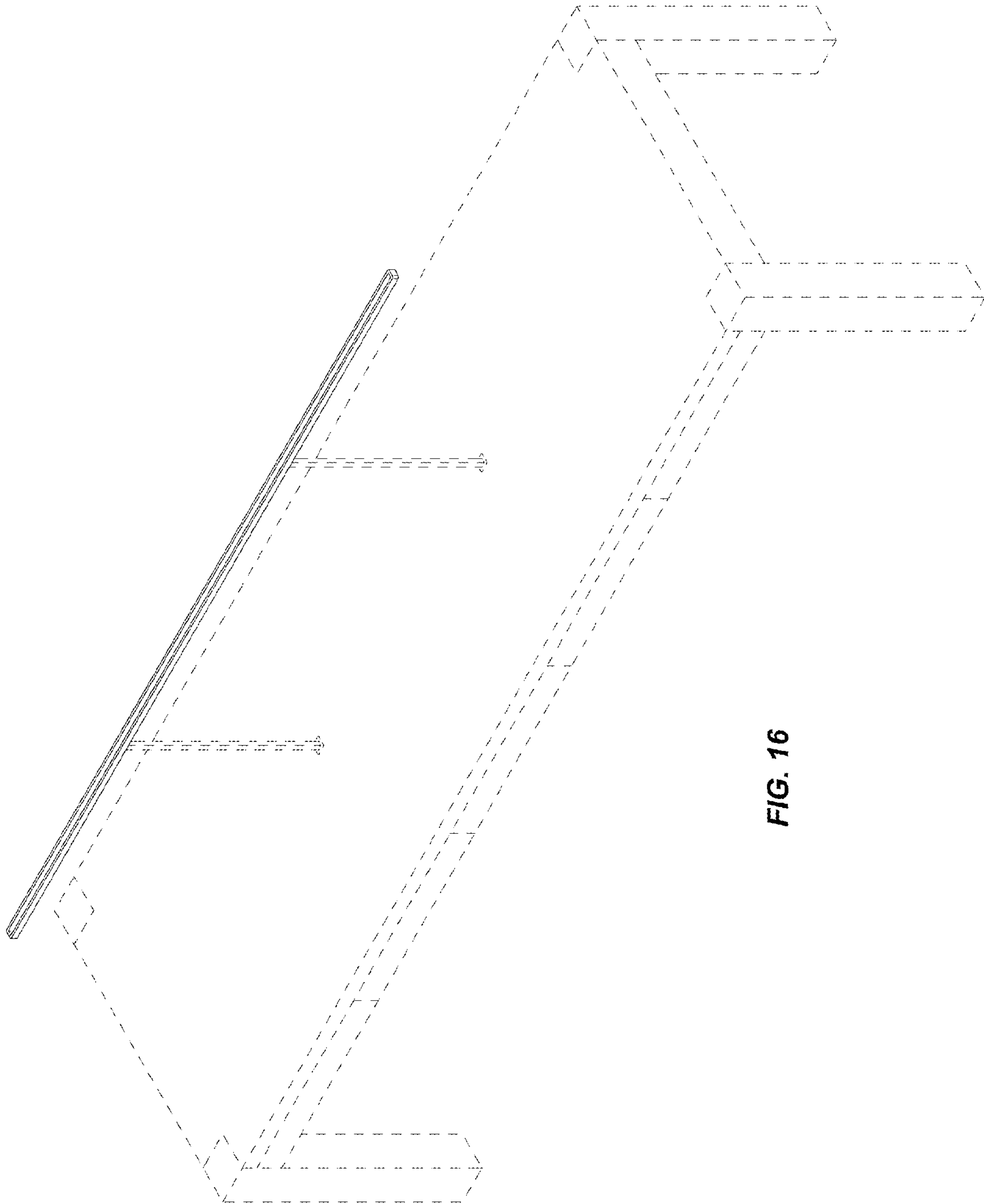


FIG. 16