



US00D876709S

(12) **United States Design Patent**
Zeng

(10) **Patent No.:** **US D876,709 S**

(45) **Date of Patent:** **** Feb. 25, 2020**

(54) **TABLE LAMP**

D788,970 S * 6/2017 Tu D26/94
D847,417 S * 4/2019 Zeng D26/110

(71) Applicant: **Foshan Shunde Yajiasi Kitchen Cabinet Co., Ltd.**, Foshan (Guangdong Province) (CN)

* cited by examiner

Primary Examiner — Brian N. Vinson
(74) *Attorney, Agent, or Firm* — Yong Chen

(72) Inventor: **Deju Zeng**, Foshan (CN)

(57) **CLAIM**

The ornamental design for a table lamp, as shown and described.

(73) Assignee: **Foshan Shunde Yajiasi Kitchen Cabinet, Co., Ltd.**, Foshan (CN)

DESCRIPTION

(**) Term: **15 Years**

FIG. 1 is a front view of a table lamp of the present invention. The back, left, and right views of the table lamp are each identical to the front view.

(21) Appl. No.: **29/653,408**

FIG. 2 is a top view thereof.

(22) Filed: **Jun. 14, 2018**

FIG. 3 is a bottom view thereof.

(51) **LOC (12) Cl.** **26-03**

FIG. 4 is a perspective view thereof.

(52) **U.S. Cl.**

FIG. 5 is another perspective view thereof.

USPC **D26/110**

(58) **Field of Classification Search**

FIG. 6 is a front view of a table lamp of the present invention as shown in FIG. 1, illustrated with an installed lamp shade thereon. The back, left, and right views of the table lamp are each identical to the front view.

USPC D26/24, 93, 94, 95, 104, 106, 110

CPC F21S 6/00; F21S 6/002; F21S 6/004; F21S

6/008; F21S 8/08; F21V 21/00; F21V

21/02; F21W 2131/30

See application file for complete search history.

FIG. 7 is a top view of the table lamp with lamp shade as shown in FIG. 6.

FIG. 8 is a bottom view of the table lamp with lamp shade as shown in FIG. 6.

(56) **References Cited**

U.S. PATENT DOCUMENTS

D383,873 S * 9/1997 Albrecht D26/110

D389,948 S * 1/1998 Chang D26/110

D605,811 S * 12/2009 Salatto-Rose D26/94

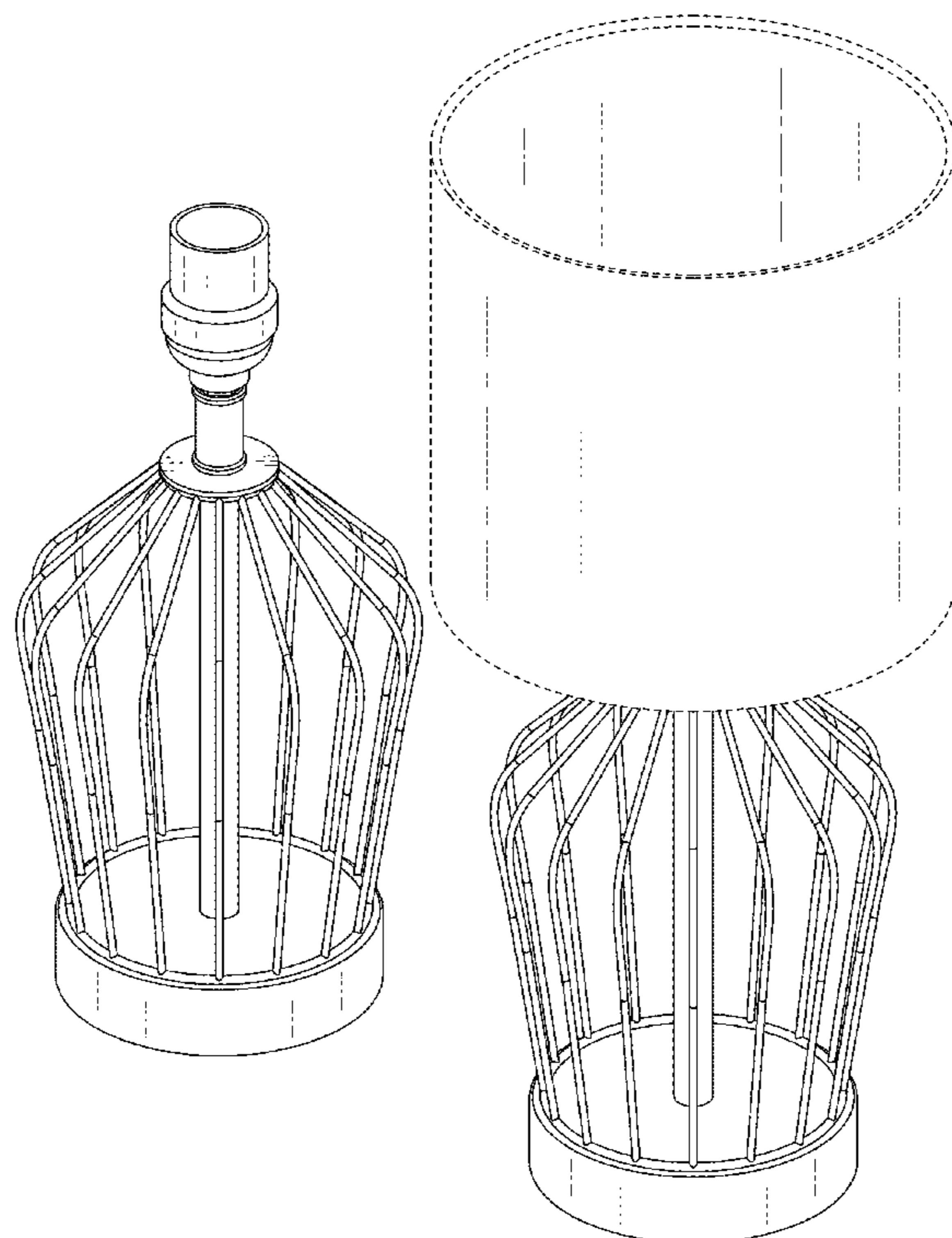
D656,663 S * 3/2012 Son D26/118

FIG. 9 is a perspective view of the table lamp with lamp shade as shown in FIG. 6; and,

FIG. 10 is another perspective view of the table lamp with lamp shade as shown in FIG. 6.

The broken line showing of certain portions of the table lamp is included for the purpose of illustration only and forms no part of the claimed design.

1 Claim, 10 Drawing Sheets



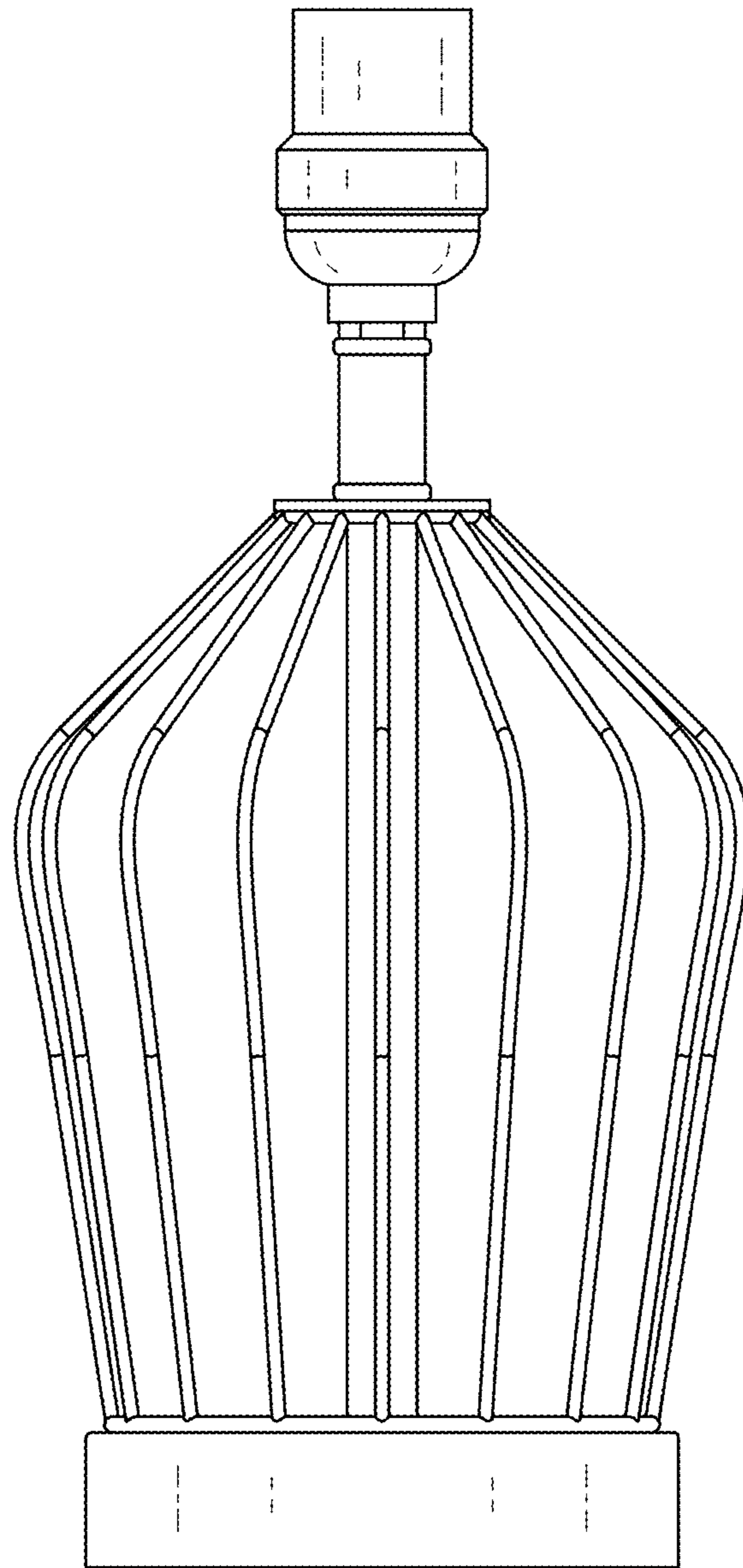


FIG. 1

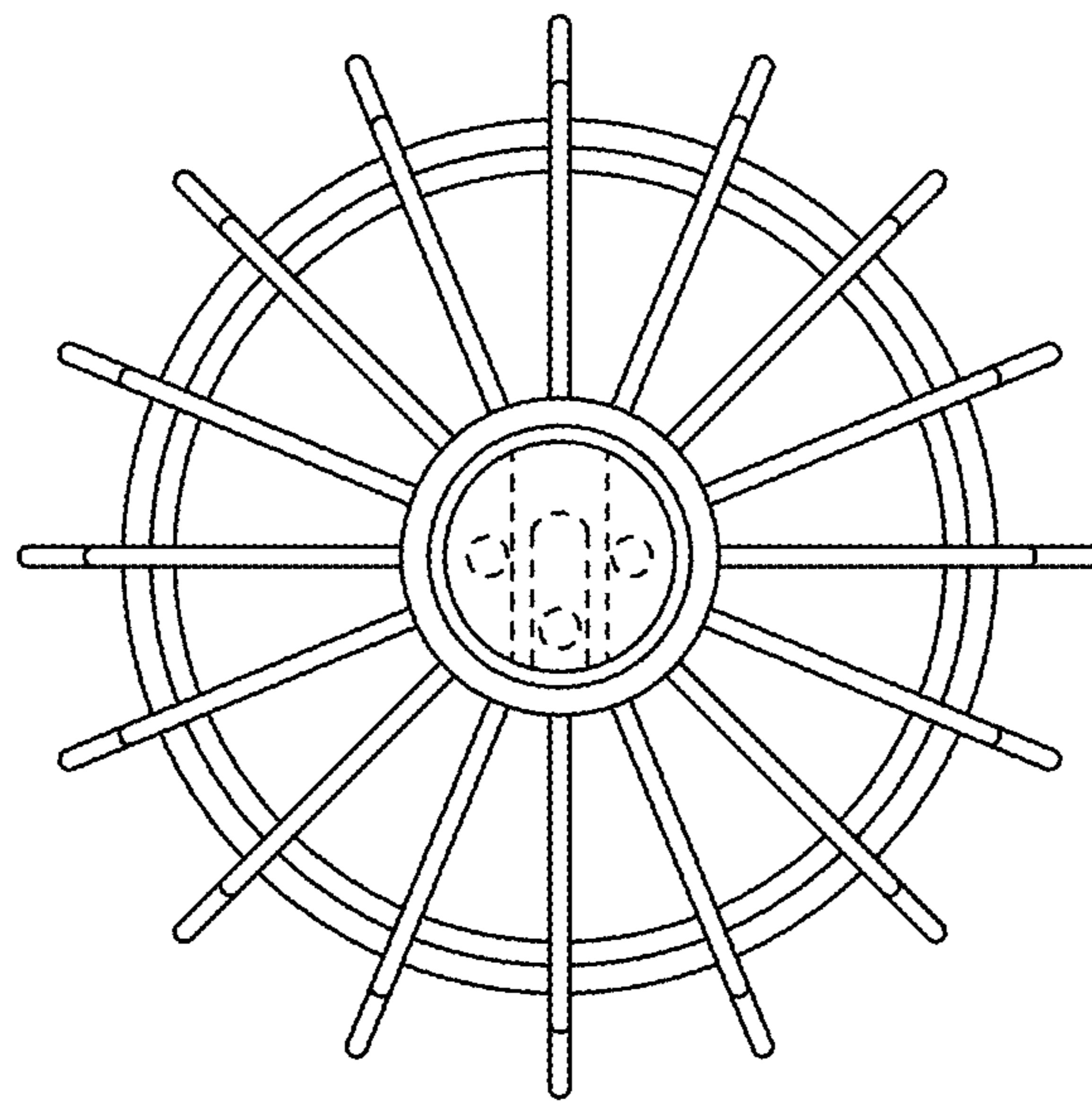


FIG. 2

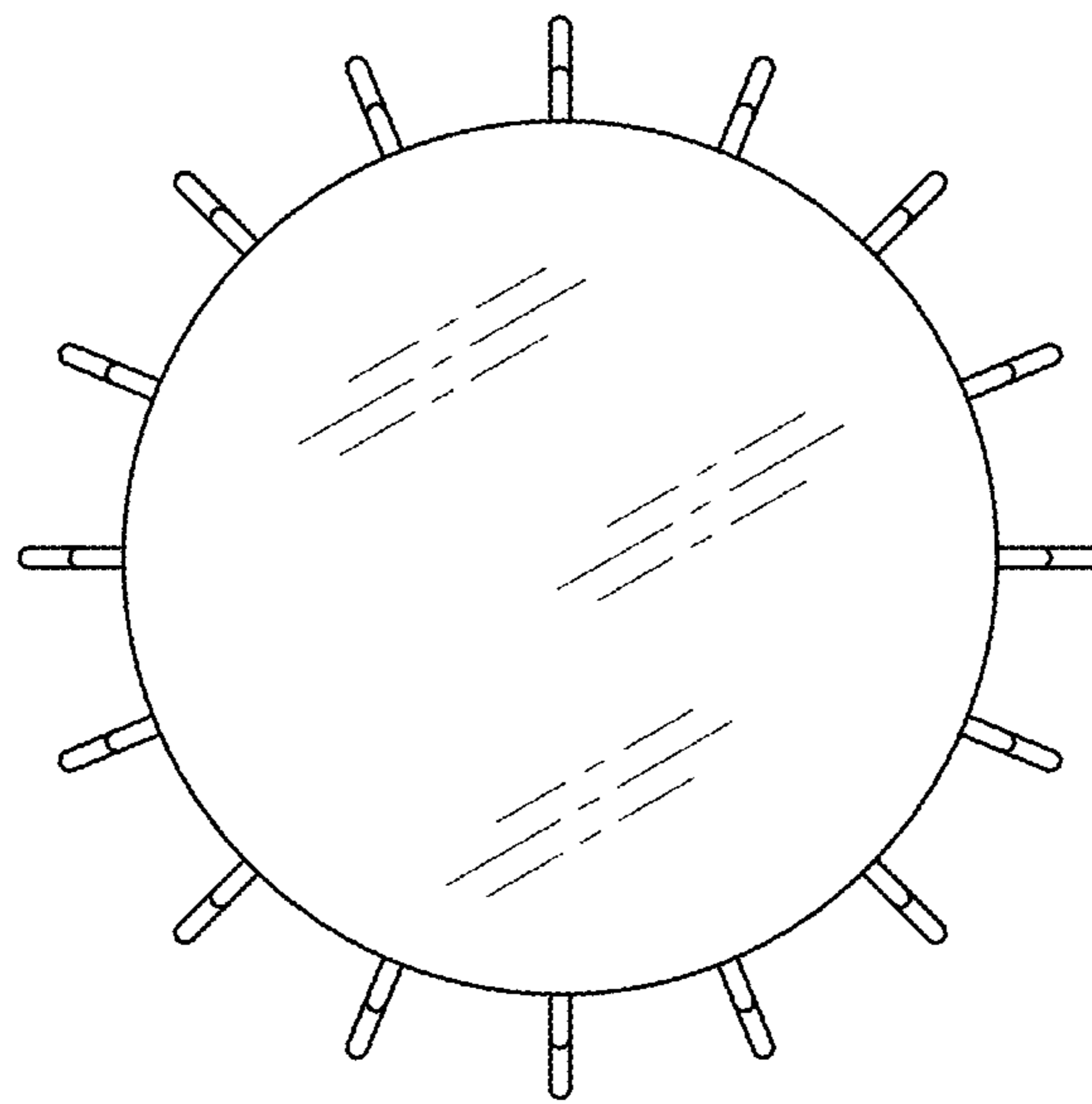


FIG. 3

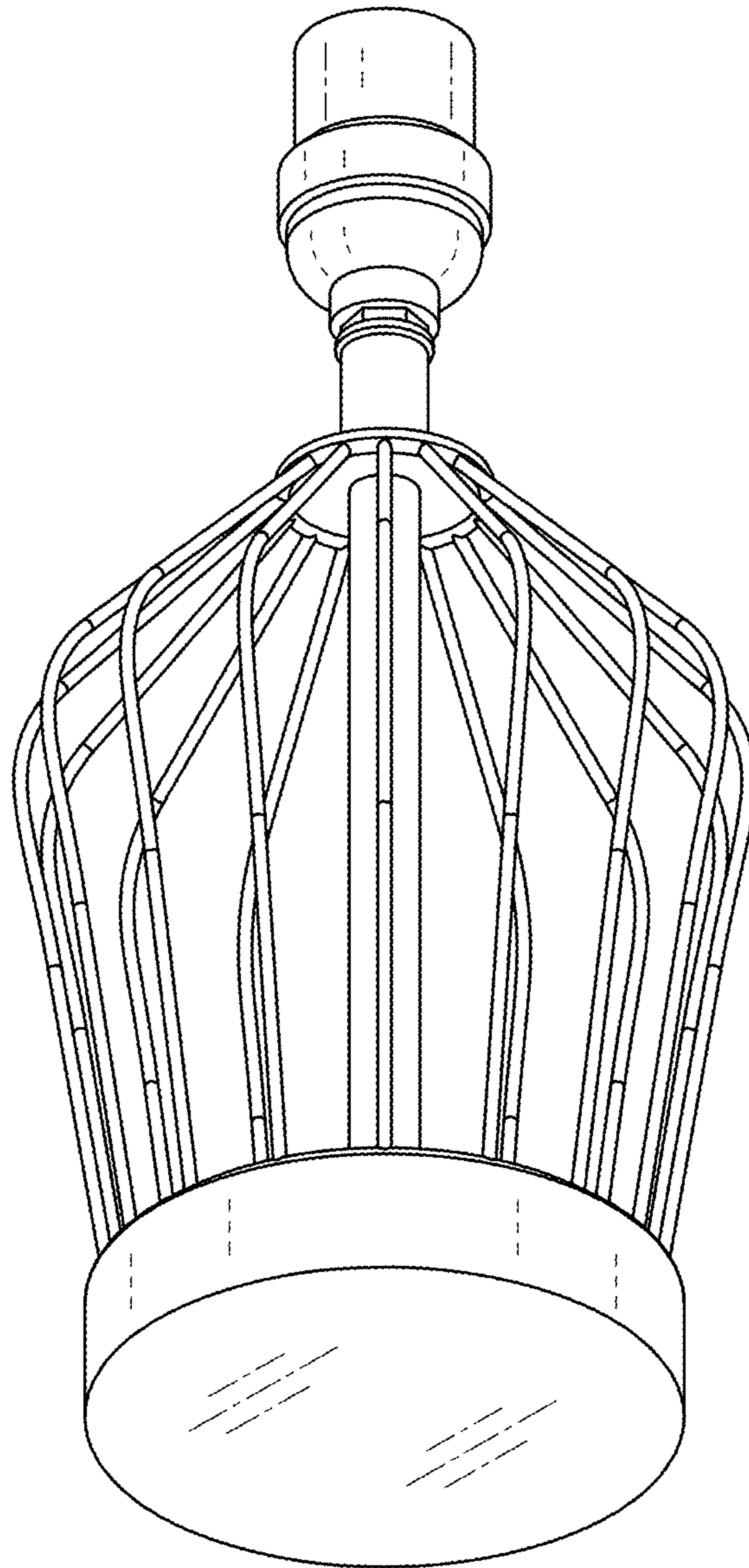


FIG. 4

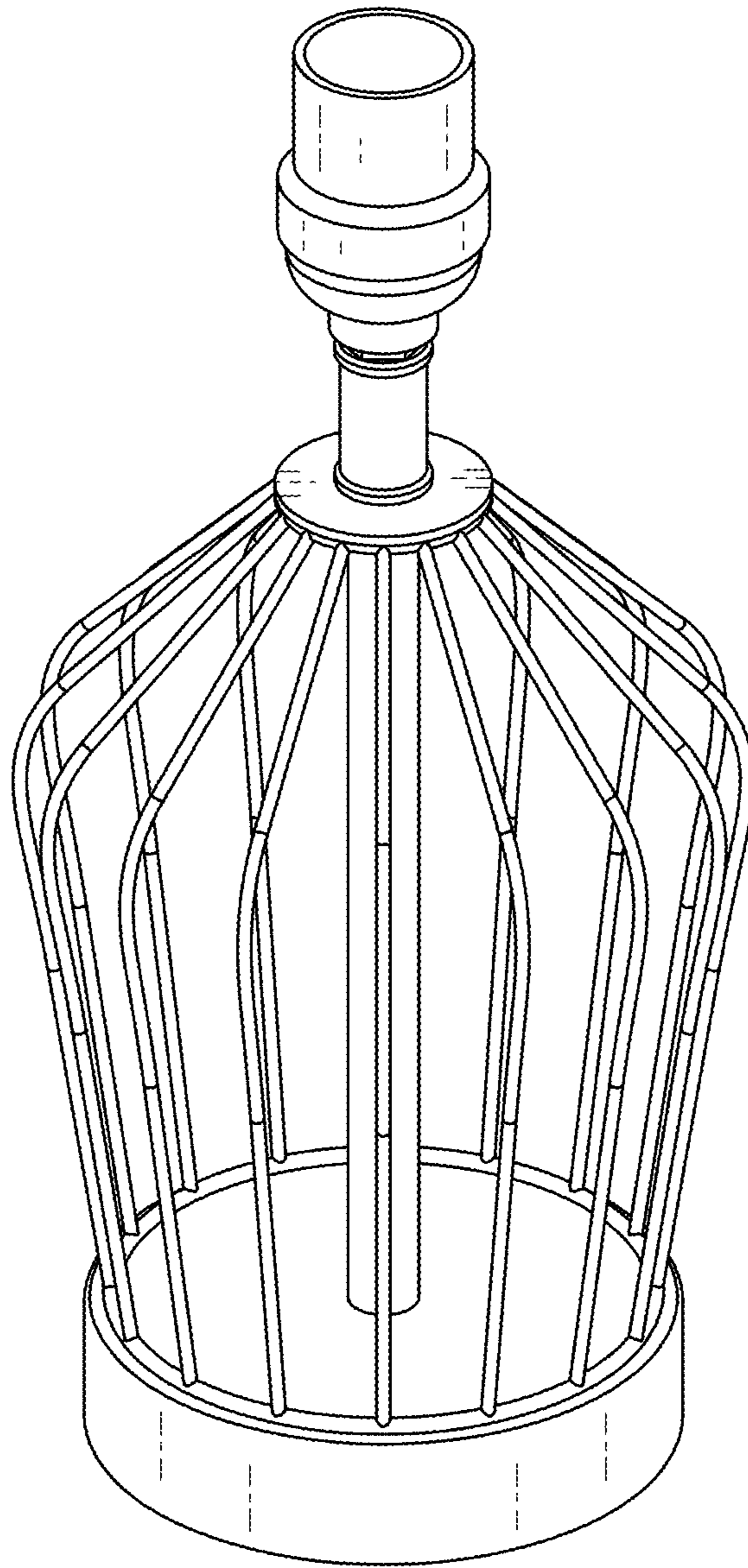


FIG. 5

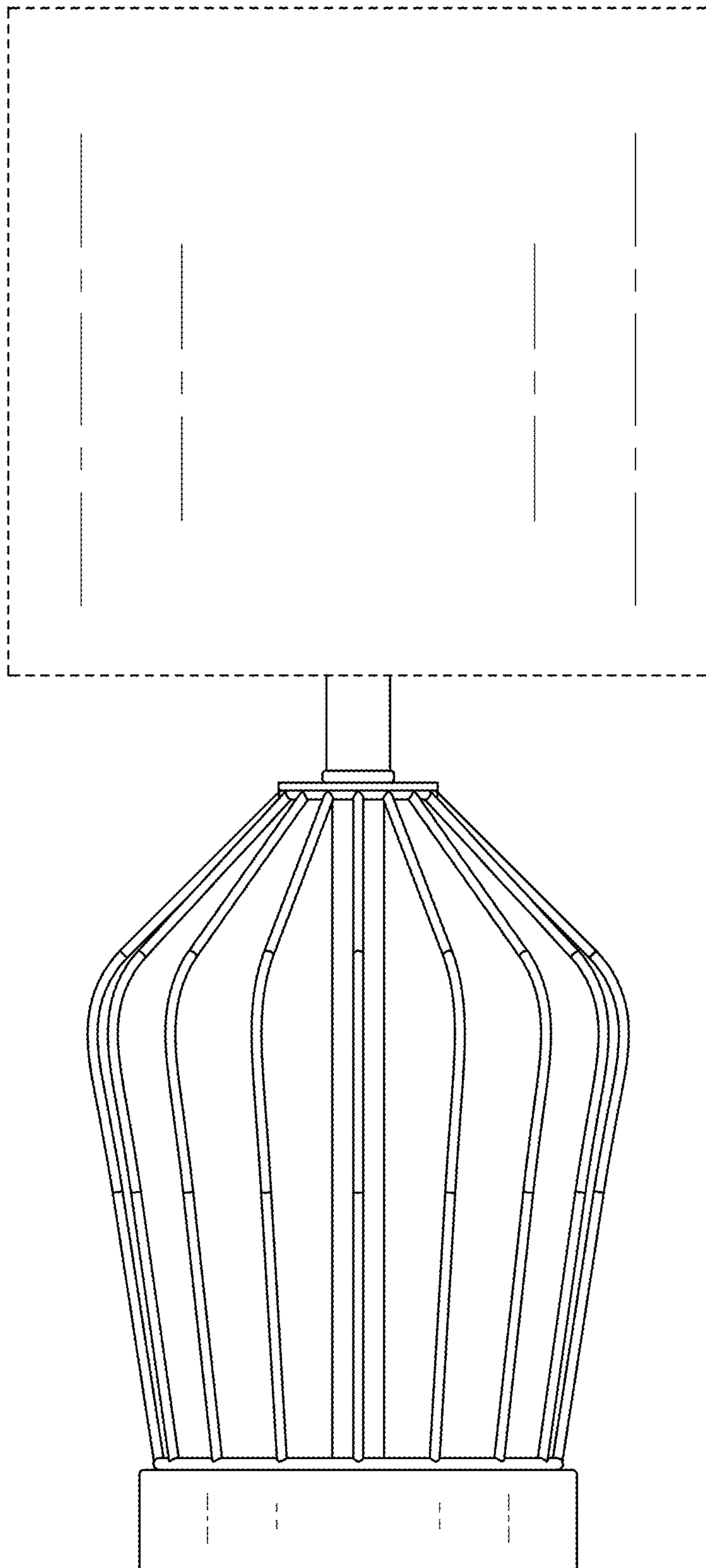


FIG. 6

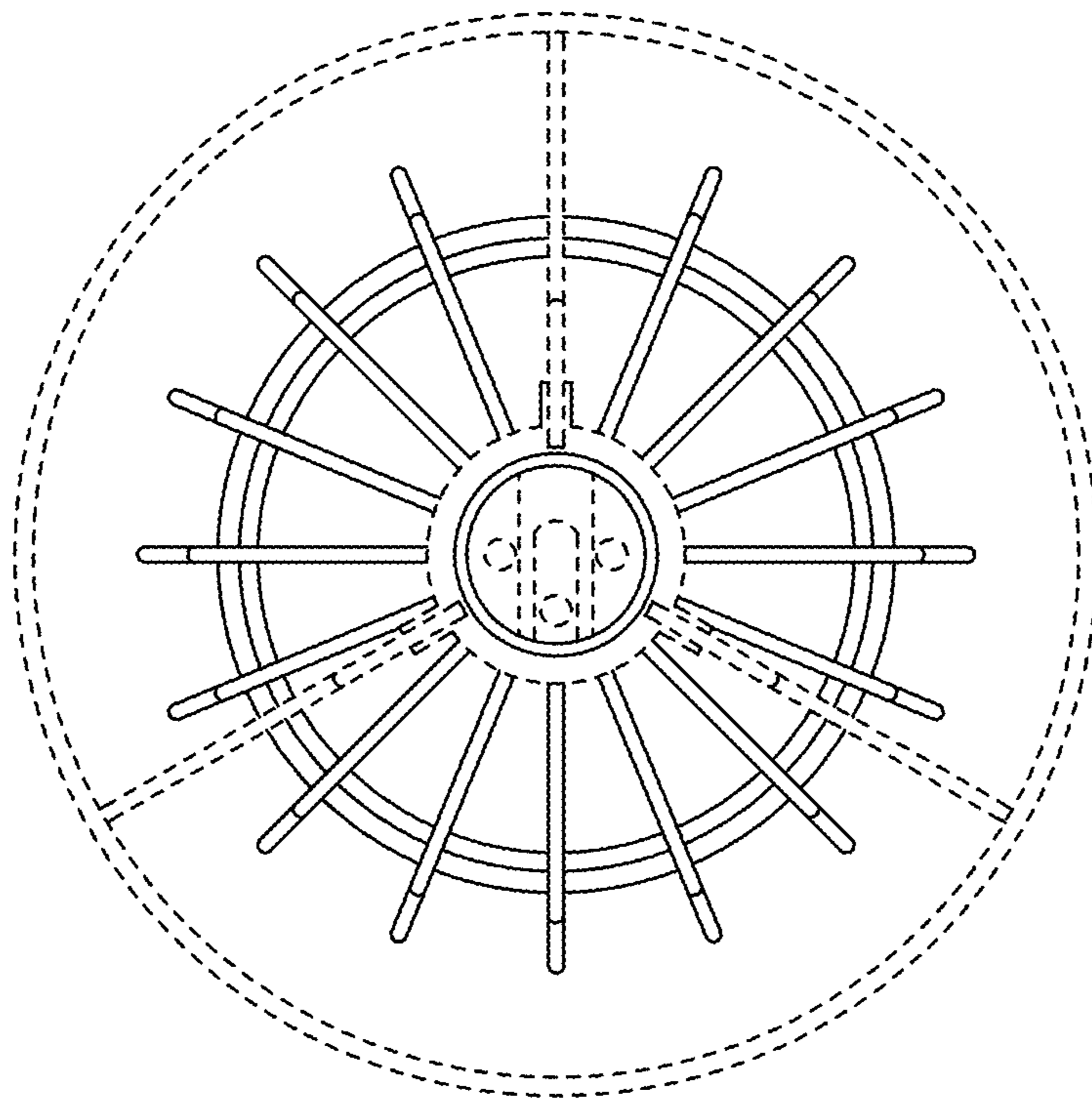


FIG. 7

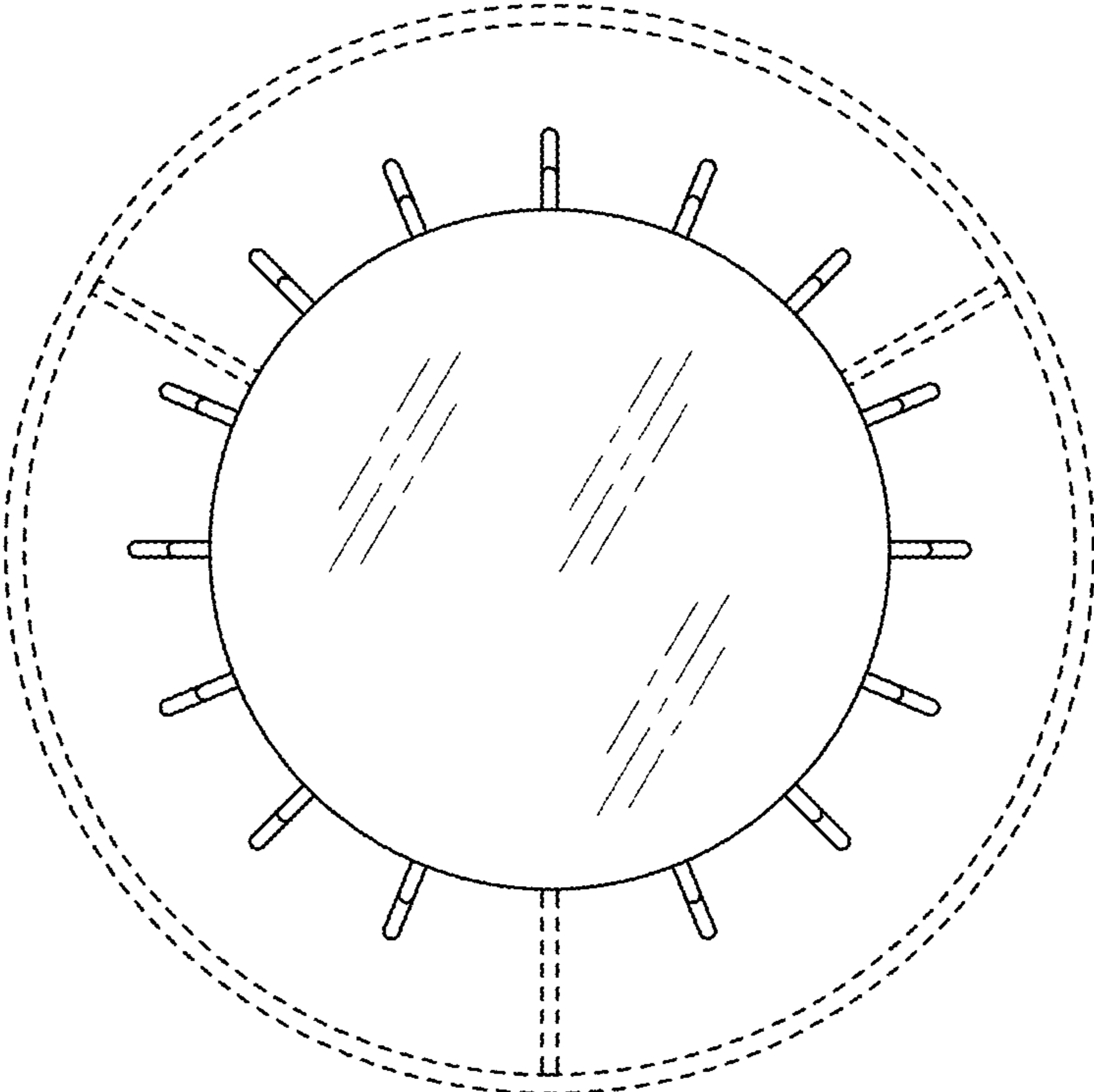


FIG. 8

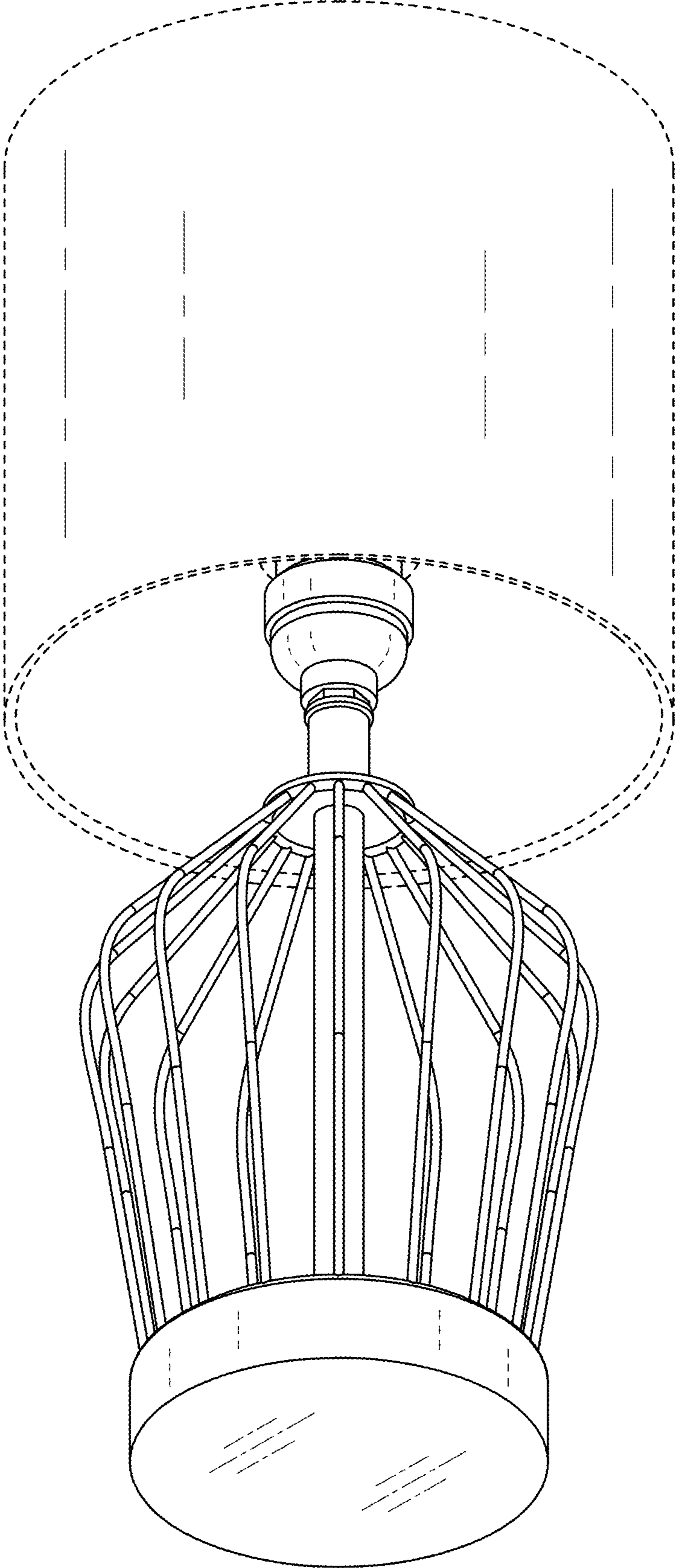


FIG. 9

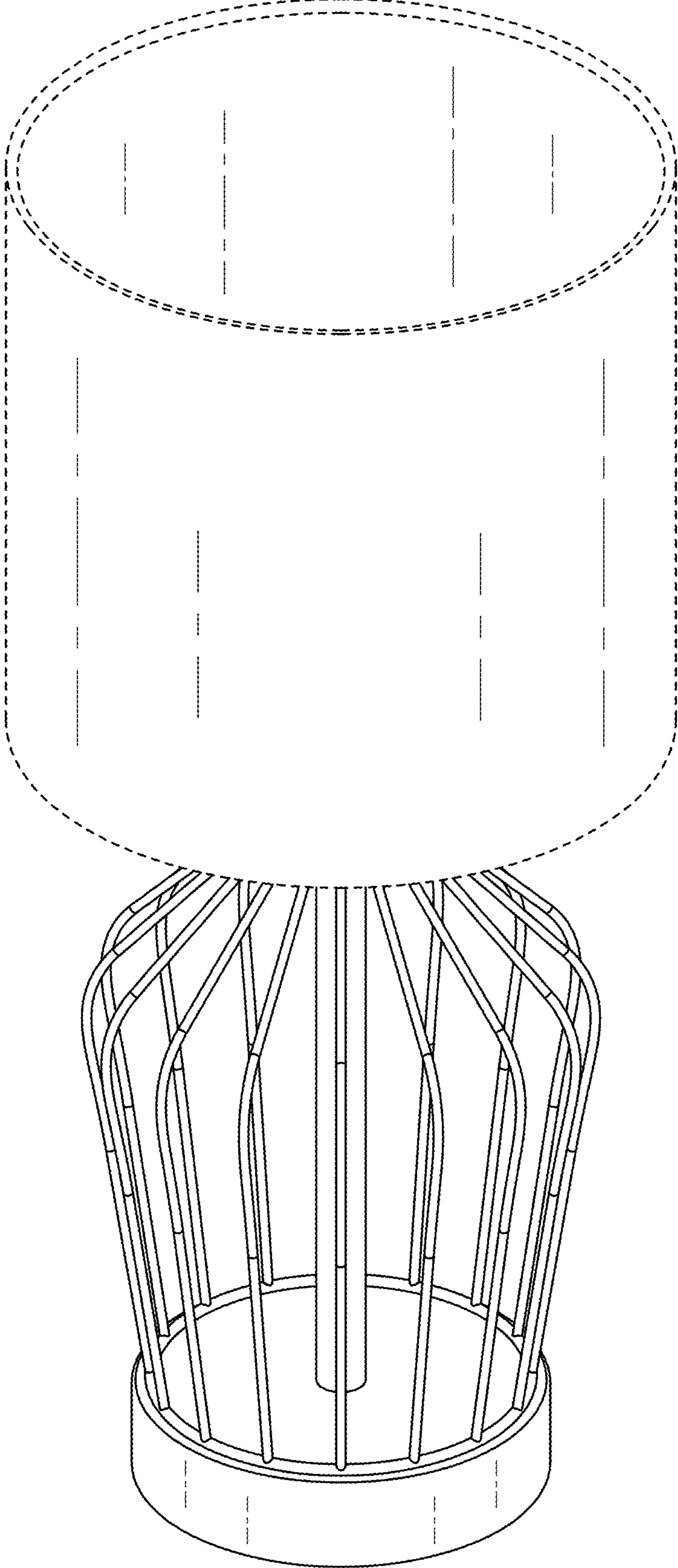


FIG. 10