



US00D876706S

(12) **United States Design Patent** (10) **Patent No.:** **US D876,706 S**  
**Tang et al.** (45) **Date of Patent:** **\*\* Feb. 25, 2020**

(54) **FLOOR LAMP**

(71) Applicants: **Zhisheng Tang**, Zhongshan (CN);  
**Guisheng Tang**, Zhongshan (CN)

(72) Inventors: **Zhisheng Tang**, Zhongshan (CN);  
**Guisheng Tang**, Zhongshan (CN)

(\*\*) Term: **15 Years**

(21) Appl. No.: **29/633,056**

(22) Filed: **Jan. 11, 2018**

(30) **Foreign Application Priority Data**

Nov. 21, 2017 (CN) ..... 2017 3 0574715

(51) **LOC (12) Cl.** ..... **26-03**

(52) **U.S. Cl.**  
USPC ..... **D26/107**

(58) **Field of Classification Search**  
USPC ..... D26/24, 93, 107, 108  
CPC .... F21S 6/00; F21S 6/002; F21S 6/004; F21S  
6/005; F21S 6/006; F21S 8/043; F21S  
8/08; F21V 21/14; F21V 21/06; F21V  
21/145; F21V 21/15; F21W 2131/30;  
F21W 2131/20

See application file for complete search history.

(56) **References Cited**

U.S. PATENT DOCUMENTS

D728,846 S \* 5/2015 McCormick ..... D26/107  
D728,847 S \* 5/2015 Wiedenmann ..... D26/107  
D744,153 S \* 11/2015 Hodgson ..... D26/107  
D757,341 S \* 5/2016 Marijnissen ..... D26/107  
D800,953 S \* 10/2017 Zandee ..... D26/107  
D810,995 S \* 2/2018 de la Haye ..... D26/107  
D822,266 S \* 7/2018 Jiang ..... D26/107

\* cited by examiner

*Primary Examiner* — Brian N. Vinson

(74) *Attorney, Agent, or Firm* — Matthias Scholl P.C.;  
Matthias Scholl

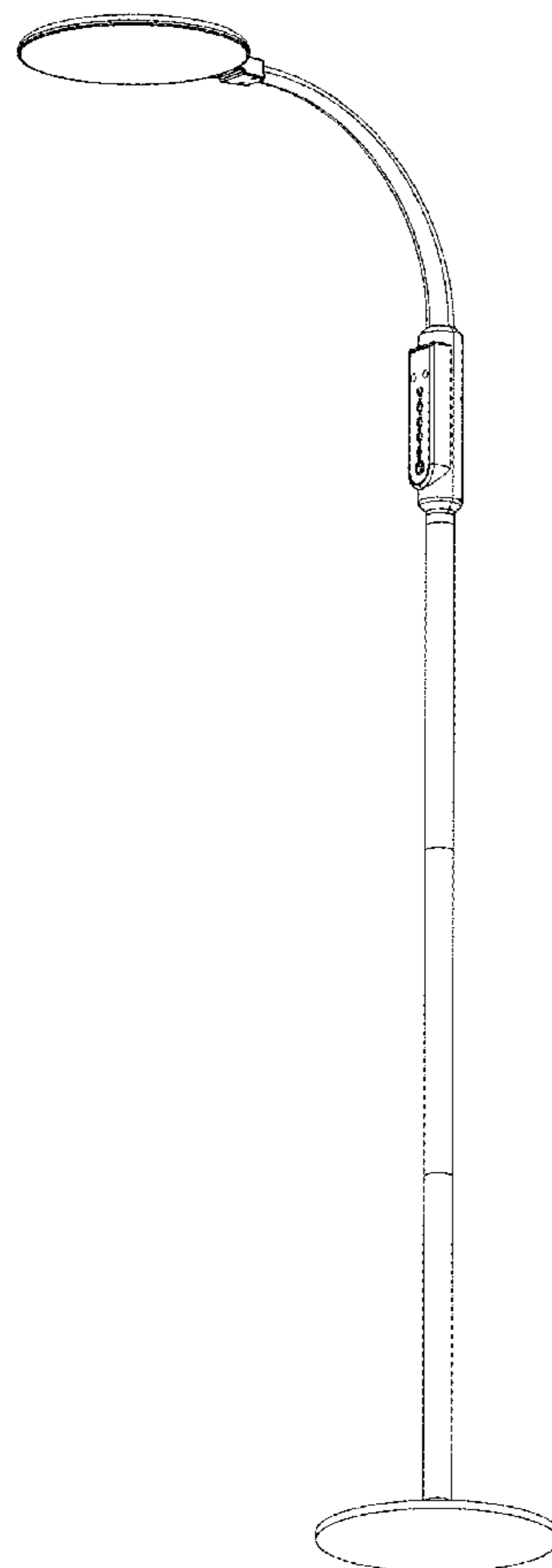
(57) **CLAIM**

The ornamental design for a floor lamp, as shown and described.

**DESCRIPTION**

FIG. 1 is a front elevation view of a floor lamp;  
FIG. 2 is a rear elevation view thereof;  
FIG. 3 is a left-side elevation view thereof;  
FIG. 4 is a right-side elevation view thereof;  
FIG. 5 is a top plan view thereof; and  
FIG. 6 is a bottom plan view thereof; and,  
FIG. 7 is a perspective view thereof.

**1 Claim, 7 Drawing Sheets**



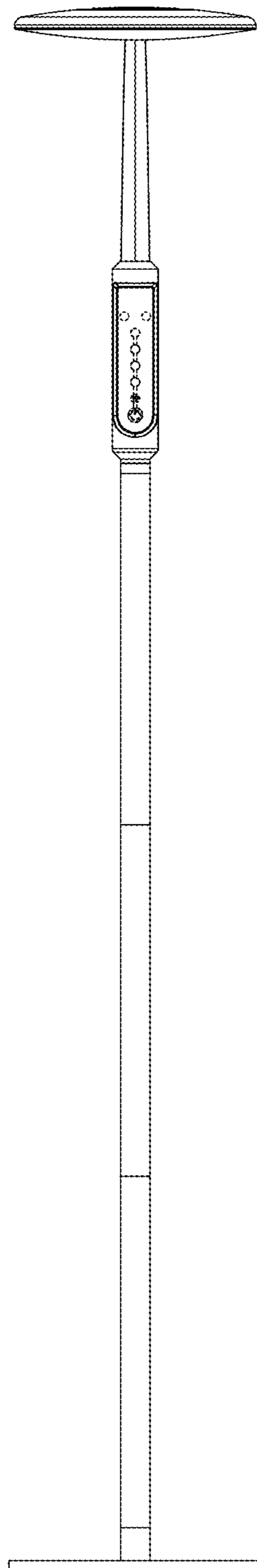


FIG. 1

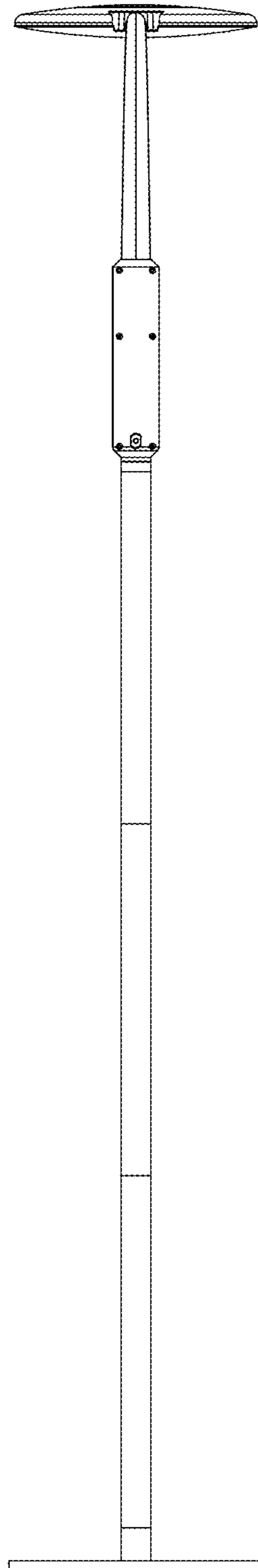


FIG. 2

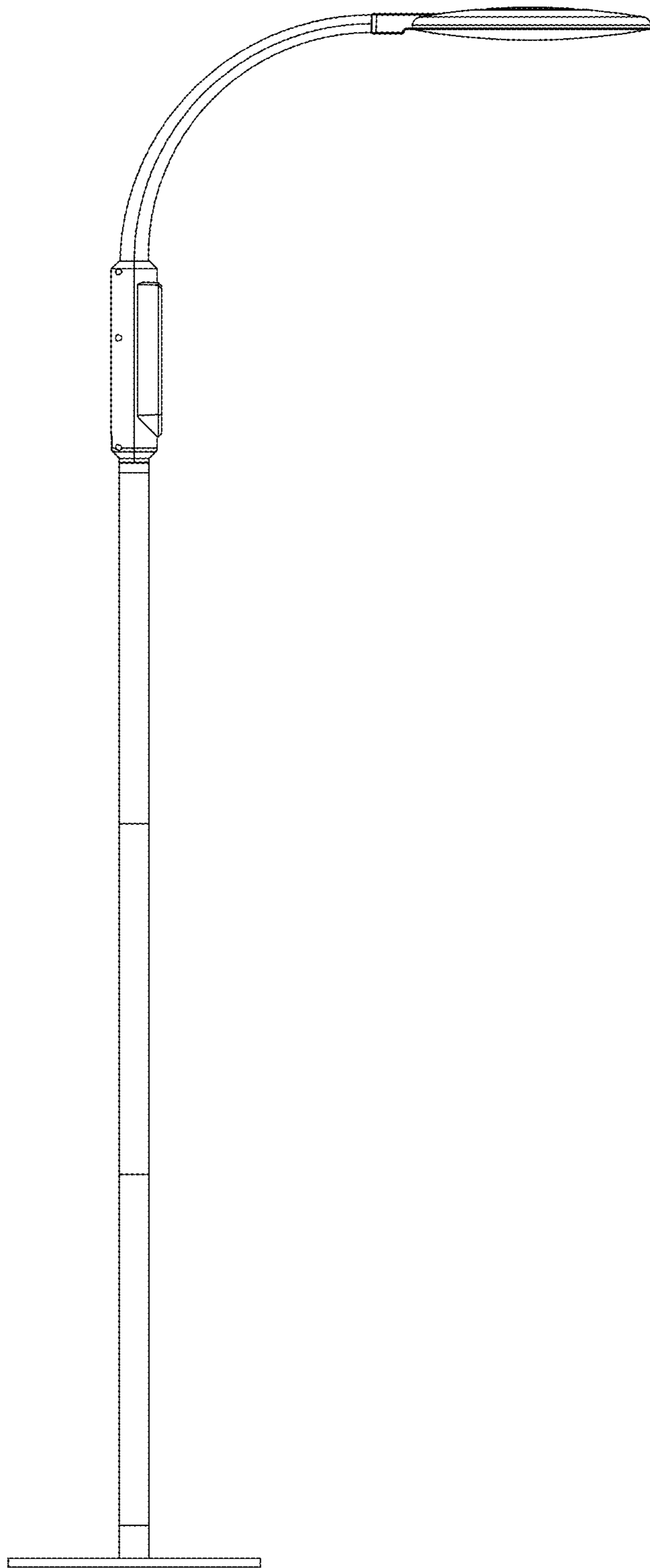


FIG. 3

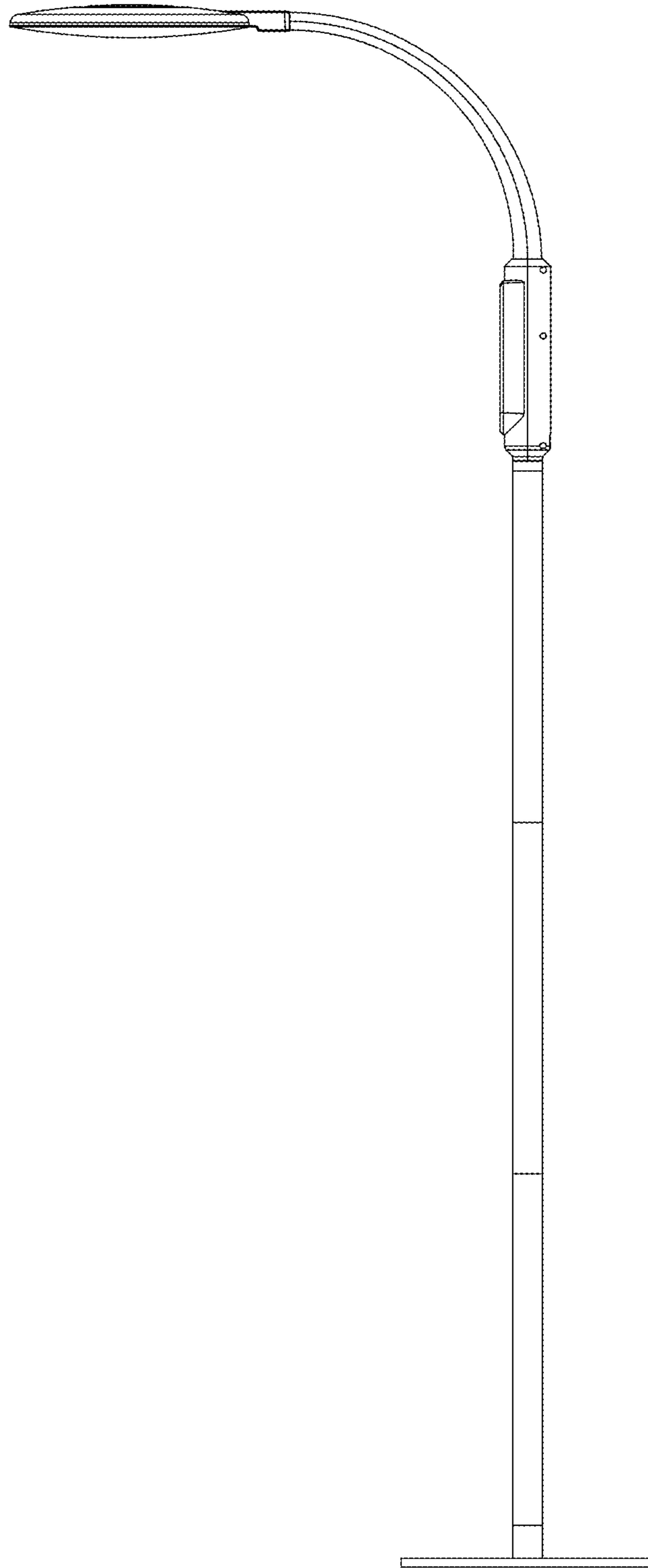


FIG. 4

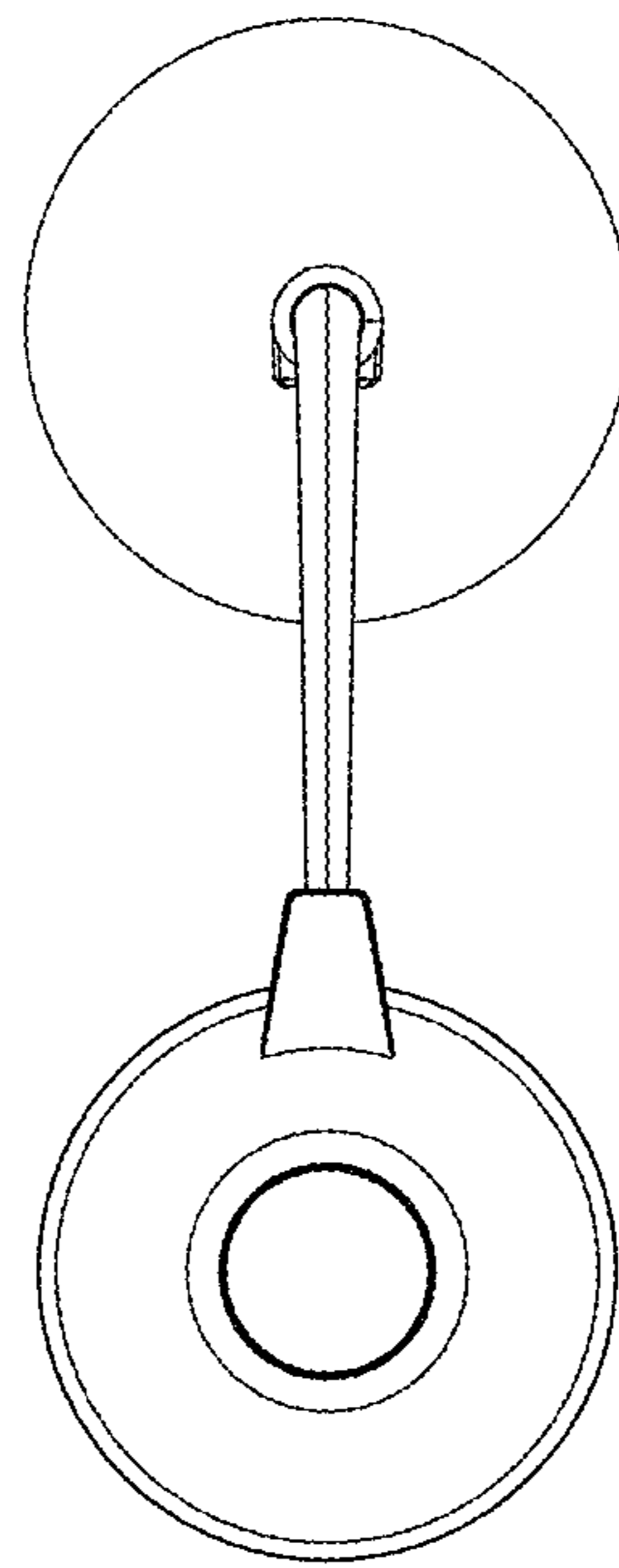


FIG. 5

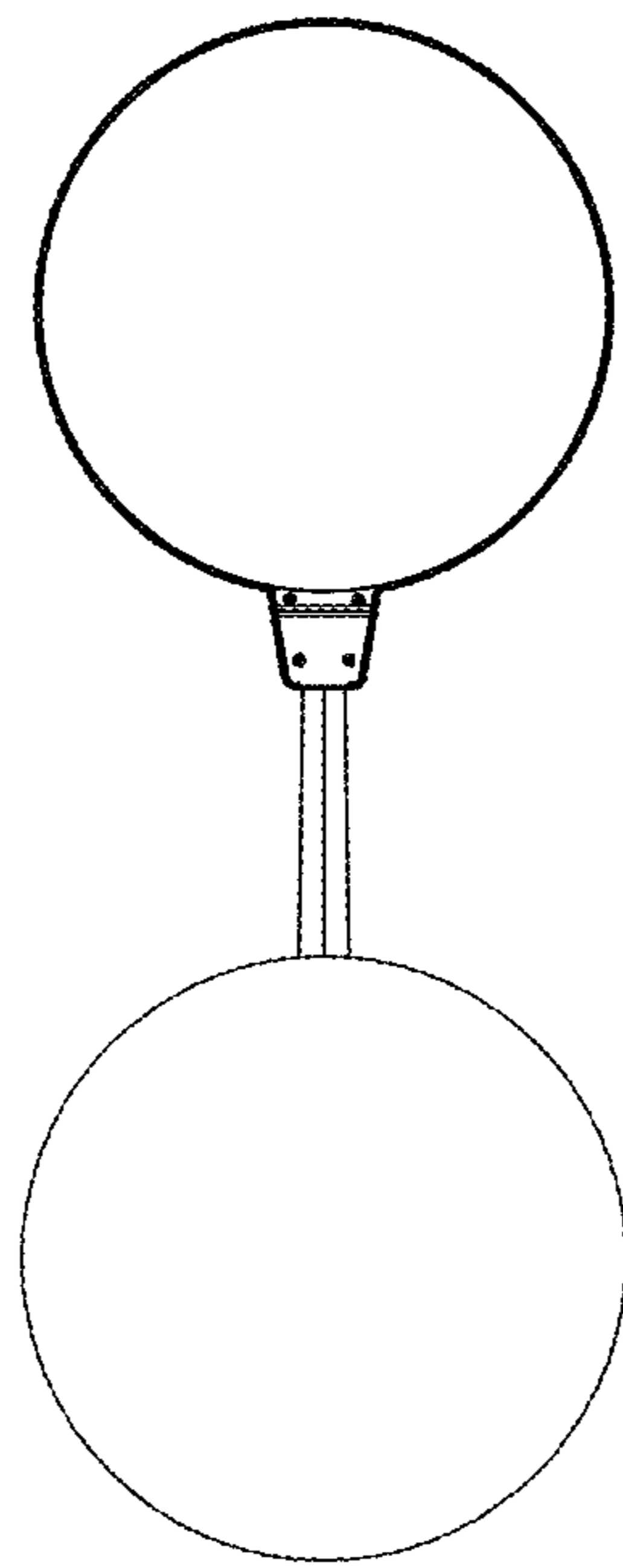


FIG. 6

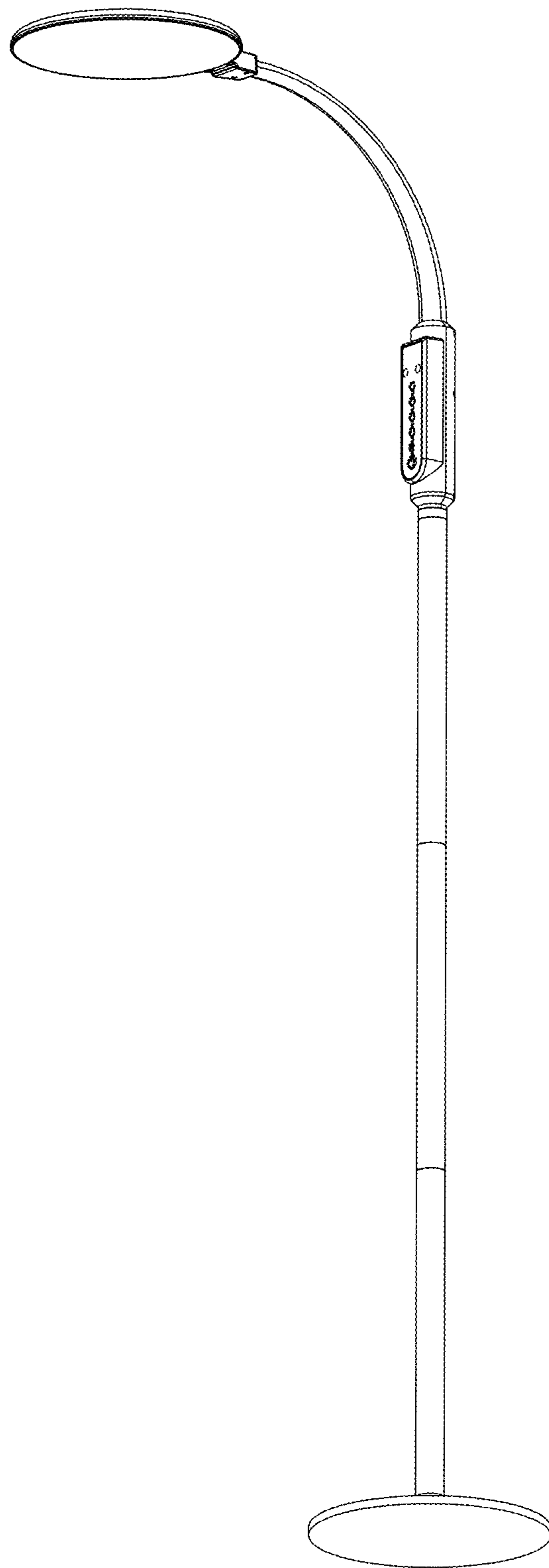


FIG. 7