



US00D876705S

(12) **United States Design Patent** (10) **Patent No.:** **US D876,705 S**
Tang et al. (45) **Date of Patent:** **** Feb. 25, 2020**

(54) **FLOOR LAMP**

(71) Applicants: **Zhisheng Tang**, Zhongshan (CN);
Guisheng Tang, Zhongshan (CN)

(72) Inventors: **Zhisheng Tang**, Zhongshan (CN);
Guisheng Tang, Zhongshan (CN)

(**) Term: **15 Years**

(21) Appl. No.: **29/633,053**

(22) Filed: **Jan. 11, 2018**

(30) **Foreign Application Priority Data**

Oct. 13, 2017 (CN) 2017 3 0487612

(51) **LOC (12) Cl.** **26-03**

(52) **U.S. Cl.**
USPC **D26/107**

(58) **Field of Classification Search**
USPC D26/24, 93, 107, 108
CPC F21S 6/00; F21S 6/002; F21S 6/004; F21S
6/005; F21S 6/006; F21S 8/043; F21S
8/08; F21V 21/14; F21V 21/06; F21V
21/145; F21V 21/15; F21W 2131/30;
F21W 2131/20

See application file for complete search history.

(56) **References Cited**

U.S. PATENT DOCUMENTS

D728,846 S *	5/2015	McCormick	D26/107
D728,847 S *	5/2015	Wiedenmann	D26/107
D744,153 S *	11/2015	Hodgson	D26/107
D757,341 S *	5/2016	Marijnissen	D26/107
D800,953 S *	10/2017	Zandee	D26/107
D810,995 S *	2/2018	de la Haye	D26/107
D822,266 S *	7/2018	Jiang	D26/107

* cited by examiner

Primary Examiner — Brian N. Vinson

(74) *Attorney, Agent, or Firm* — Matthias Scholl P.C.;
Matthias Scholl

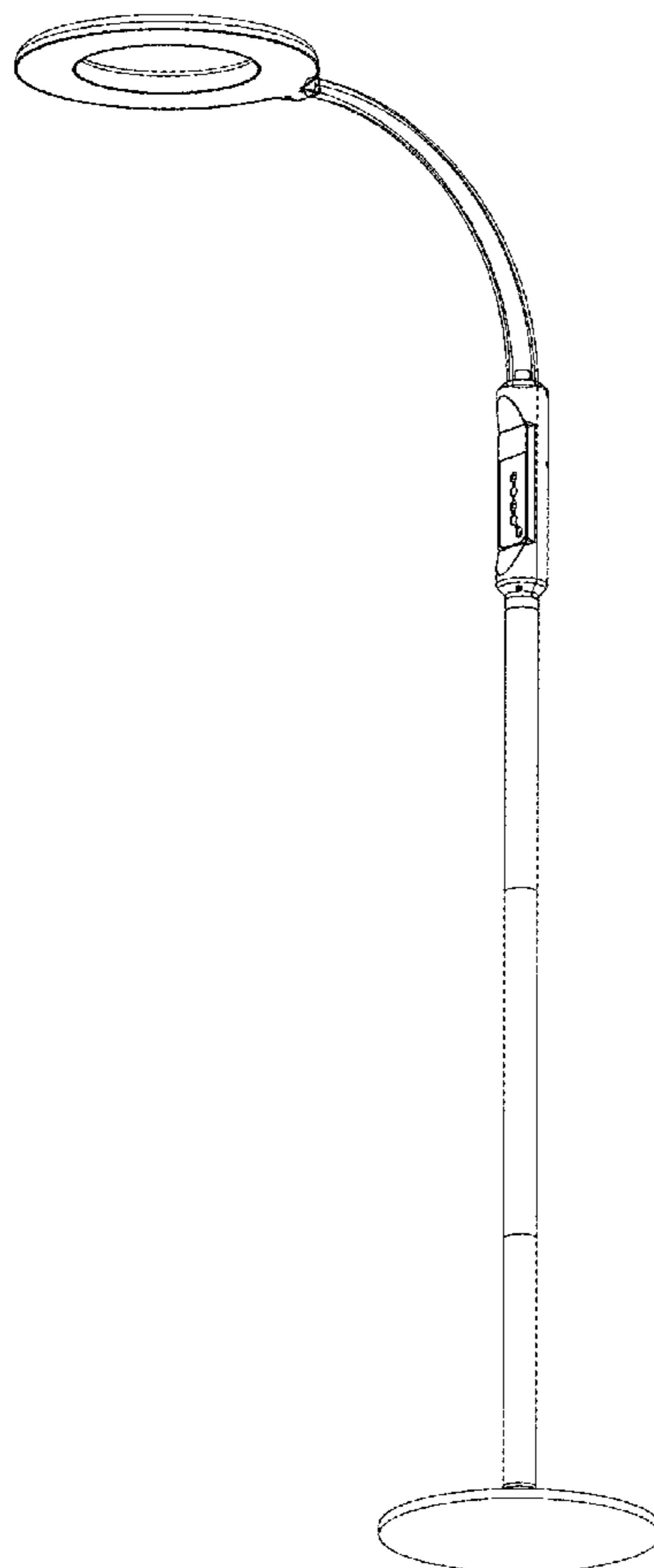
(57) **CLAIM**

The ornamental design for a floor lamp, as shown and described.

DESCRIPTION

FIG. 1 is a front elevation view of a floor lamp;
FIG. 2 is a rear elevation view thereof;
FIG. 3 is a left-side elevation view thereof;
FIG. 4 is a right-side elevation view thereof;
FIG. 5 is a top plan view thereof; and
FIG. 6 is a bottom plan view thereof; and,
FIG. 7 is a perspective view thereof.

1 Claim, 7 Drawing Sheets



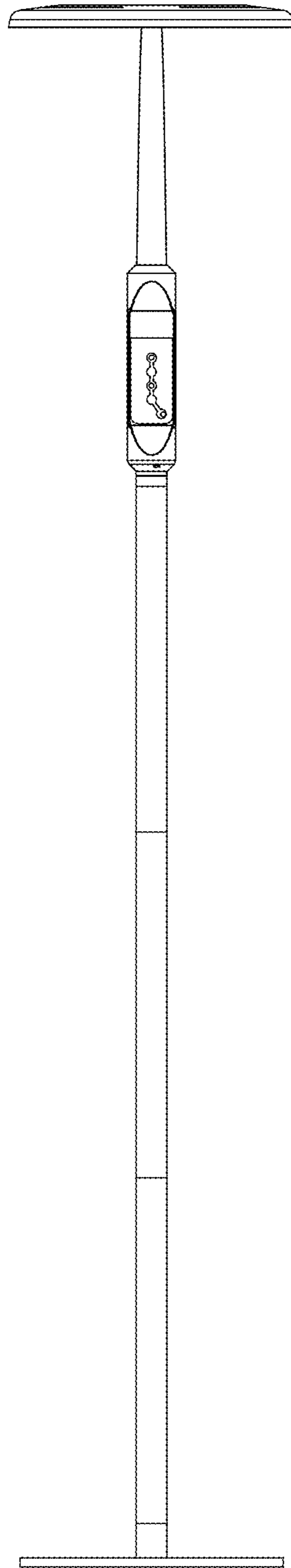


FIG. 1

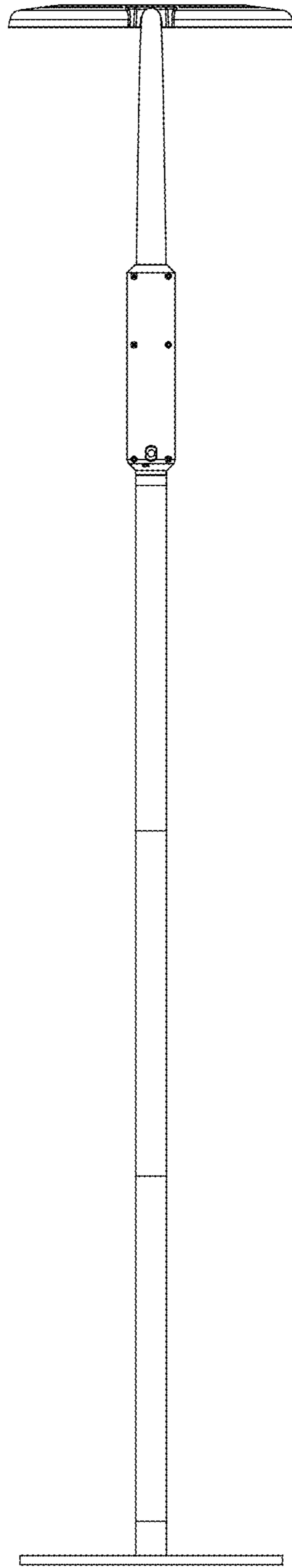


FIG. 2

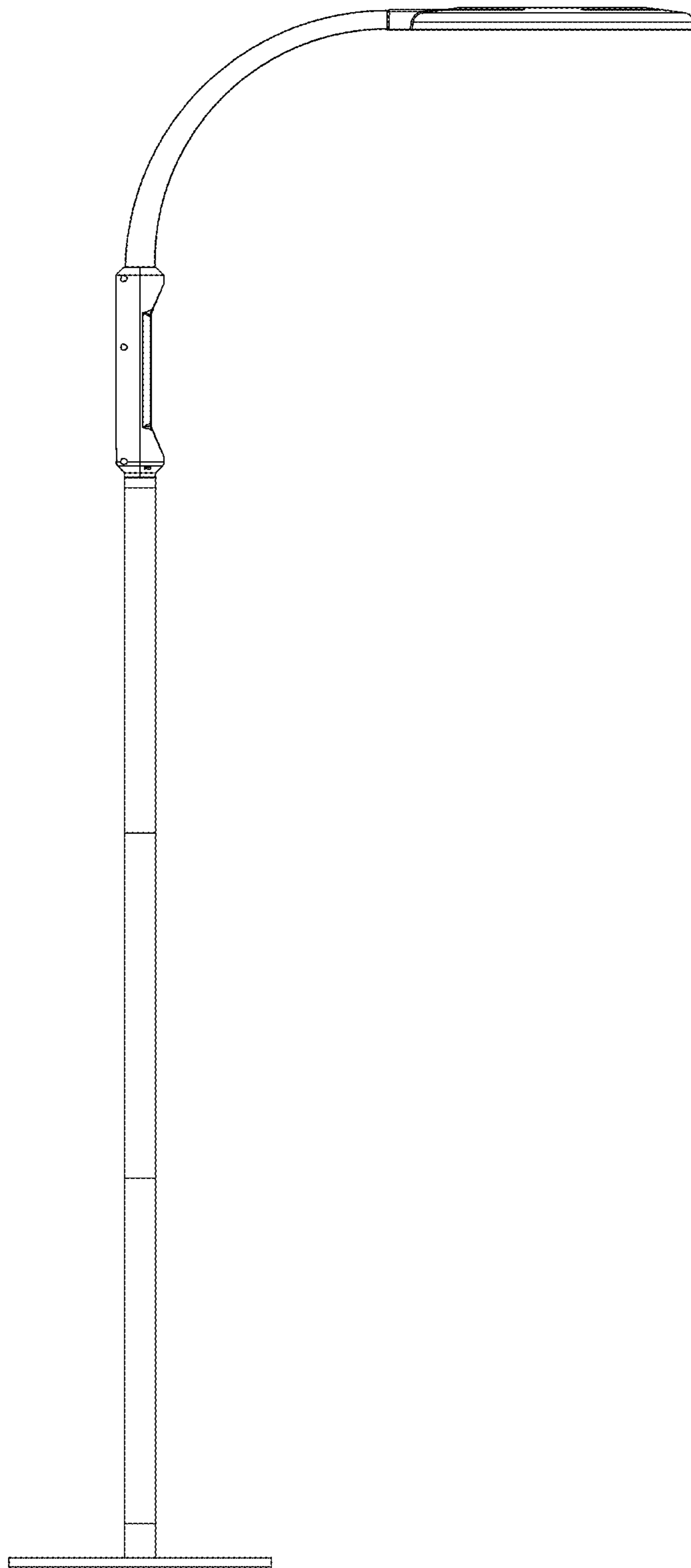


FIG. 3

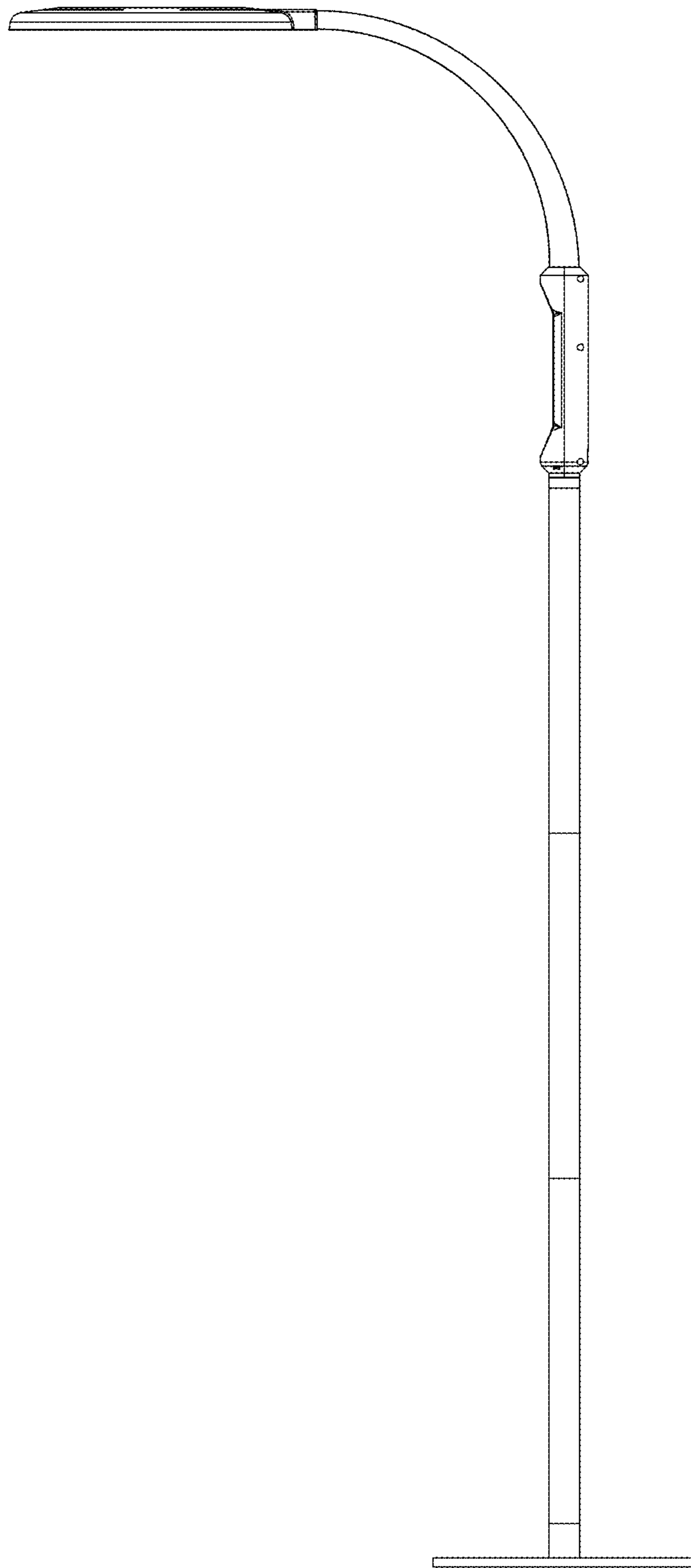


FIG. 4

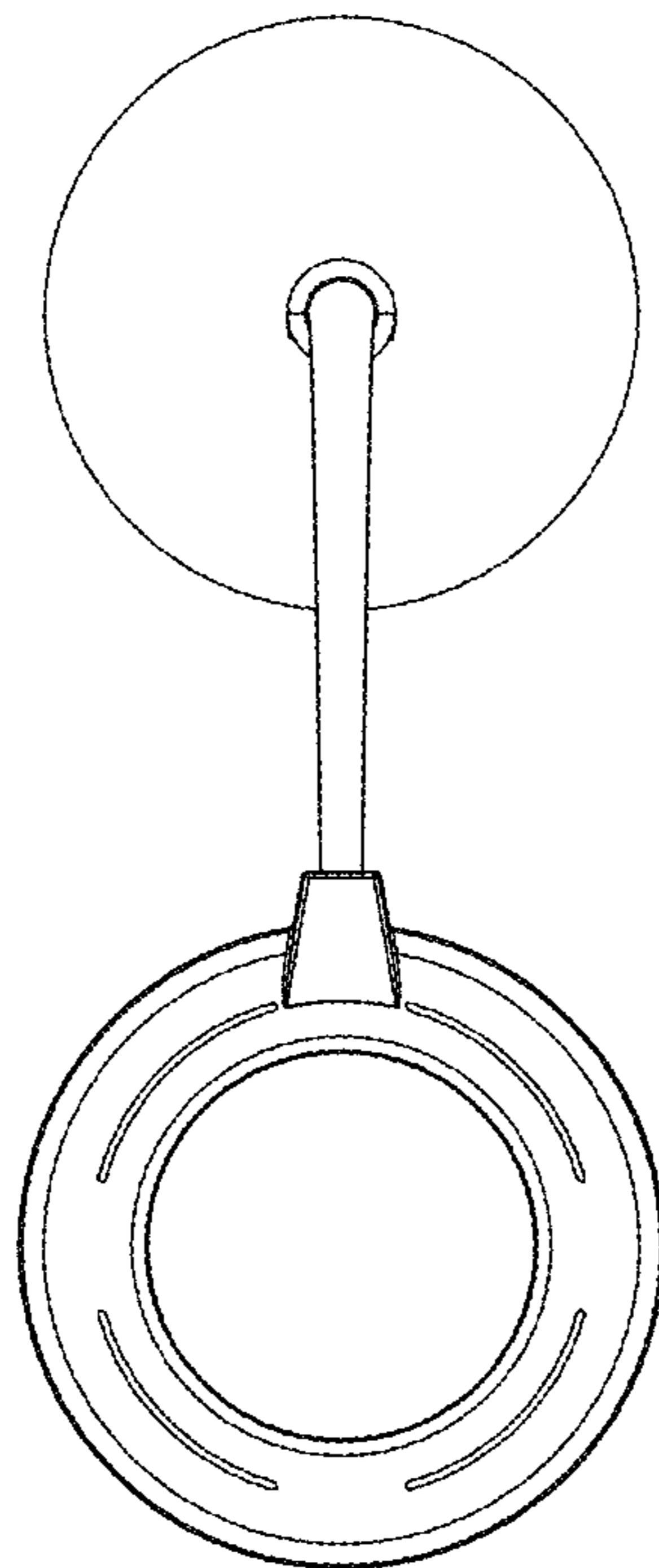


FIG. 5

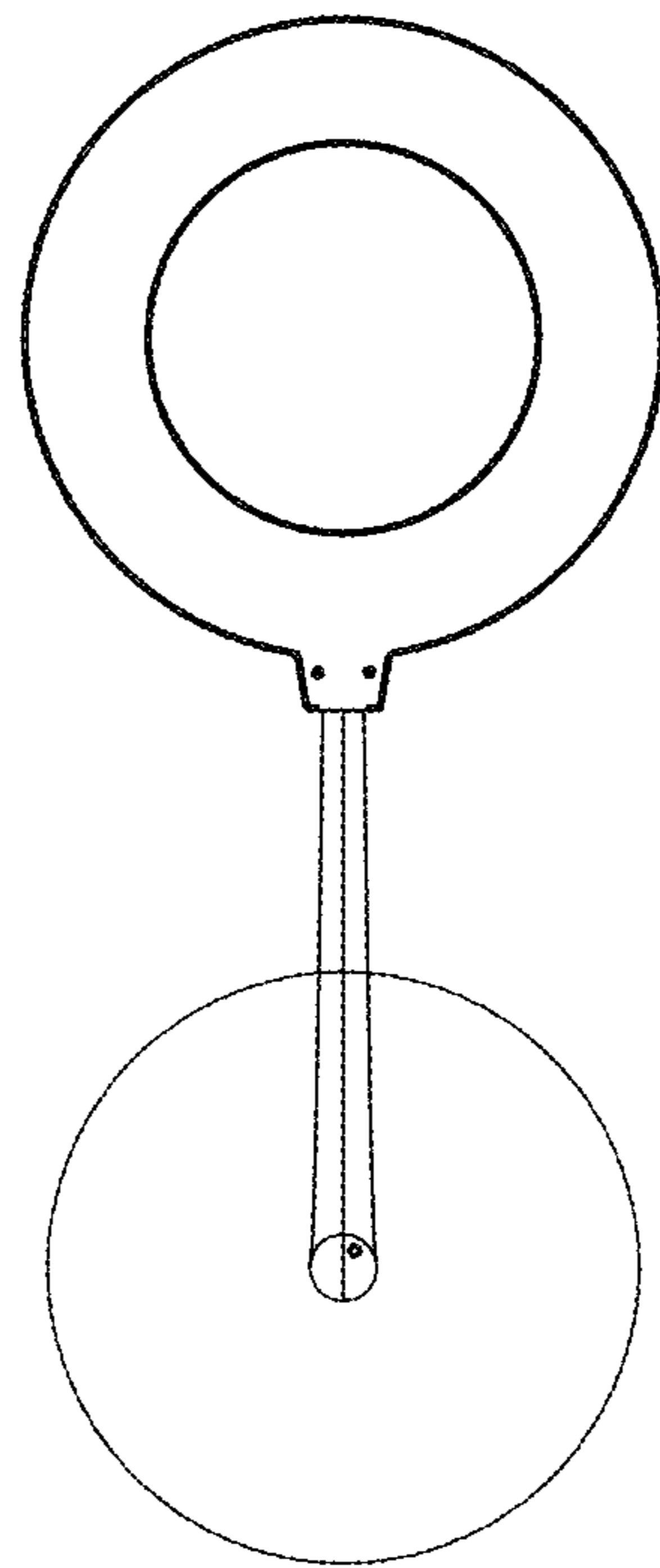


FIG. 6

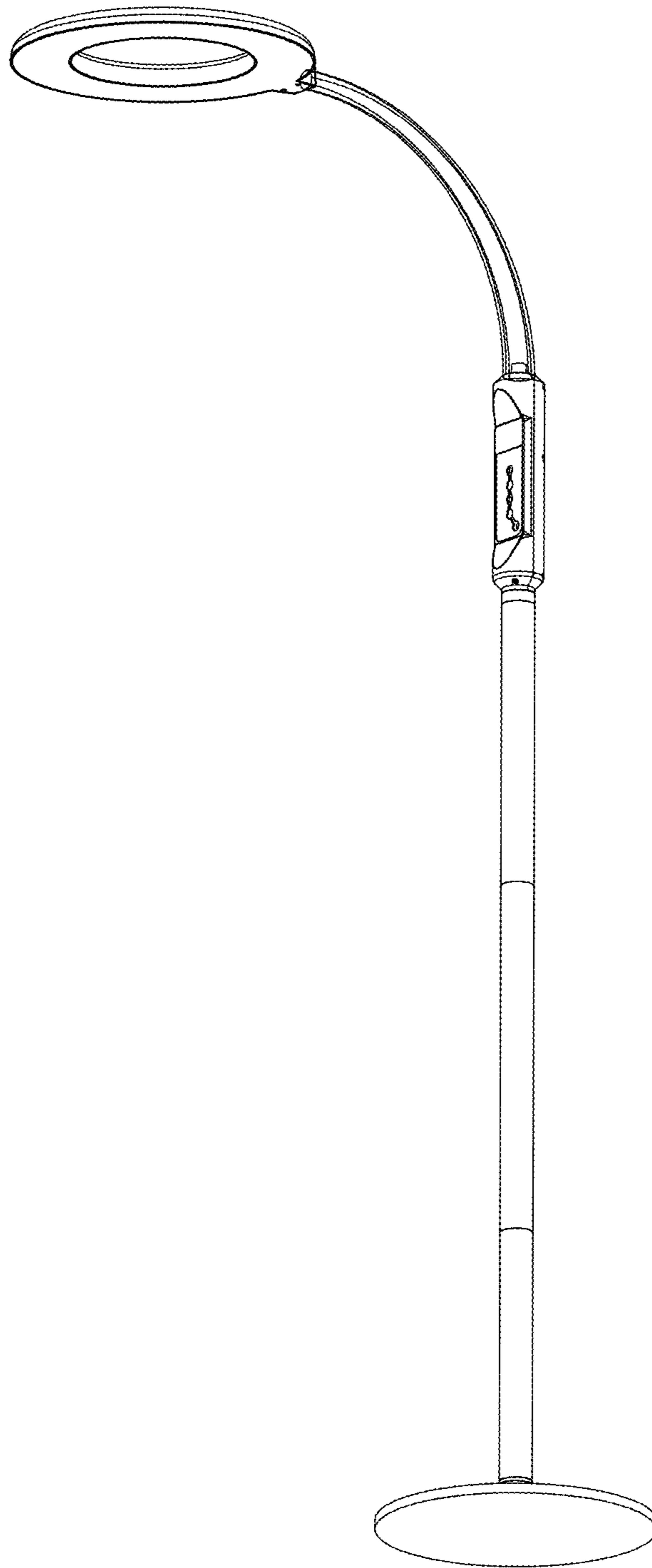


FIG. 7