



US00D876704S

(12) **United States Design Patent**
Crasset

(10) **Patent No.:** **US D876,704 S**

(45) **Date of Patent:** **** Feb. 25, 2020**

- (54) **OUTDOOR LIGHTING FIXTURE**
- (71) Applicant: **Eclairage Roger Pradier**, Saint Maur (FR)
- (72) Inventor: **Matali Crasset**, Paris (FR)
- (**) Term: **15 Years**
- (21) Appl. No.: **29/688,933**
- (22) Filed: **Apr. 25, 2019**

Related U.S. Application Data

- (62) Division of application No. 35/504,315, filed on Dec. 22, 2017 (U.S. filing date under 35 U.S.C. 384), and having an international filing date of Dec. 22, 2017, now Pat. No. Des. 853,008.
- (51) **LOC (12) Cl.** **26-05**
- (52) **U.S. Cl.**
USPC **D26/104**
- (58) **Field of Classification Search**
USPC D26/24, 34, 36, 72, 93, 104, 110, 112
CPC .. F21S 8/032; F21S 6/00; F21S 6/002; F21W
2131/30
See application file for complete search history.

(56) **References Cited**

U.S. PATENT DOCUMENTS

- 858,251 A * 6/1907 Atterholt F21V 17/00
362/363
- D48,833 S * 4/1916 Shapiro D26/24
- D68,735 S * 11/1925 Ryan D26/36
- D89,208 S * 2/1933 Pieper D26/24
- D161,347 S * 12/1950 Kushner D26/24
- D164,818 S * 10/1951 Ragsdale D22/123
- D197,909 S * 4/1964 Winters D26/24
- D227,398 S * 6/1973 Ginsberg D26/104
- D238,960 S * 2/1976 Leung D26/112
- D254,875 S * 4/1980 Stekelberg D26/24
- D298,573 S * 11/1988 Komamura D26/37

- D384,181 S * 9/1997 Borden D26/110
- D485,390 S * 1/2004 Stancik D26/104
- D539,465 S * 3/2007 Rokke D26/106
- D577,458 S * 9/2008 Chan D26/104
- D643,568 S * 8/2011 Kong D26/93
- D690,843 S * 10/2013 Feigenbaum D26/24
- D736,448 S * 8/2015 Cohen D26/110
- D742,041 S * 10/2015 Garcia D26/110
- D747,509 S * 1/2016 Liang D26/24

(Continued)

OTHER PUBLICATIONS

French Mobile Terrace Light La Hutte by Roger Pradier. Two screenshots from TERRAlumi.com. Undated; 1 page. Found online Sep. 19, 2019 at <https://www.terralumi.com/Garden-Lighting/French-Mobile-Terrace-Light-La-Hutte::6090.html> (Year: 2019).*

(Continued)

Primary Examiner — Robert M. Spear
(74) *Attorney, Agent, or Firm* — Muncy, Geissler, Olds & Lowe, P.C.

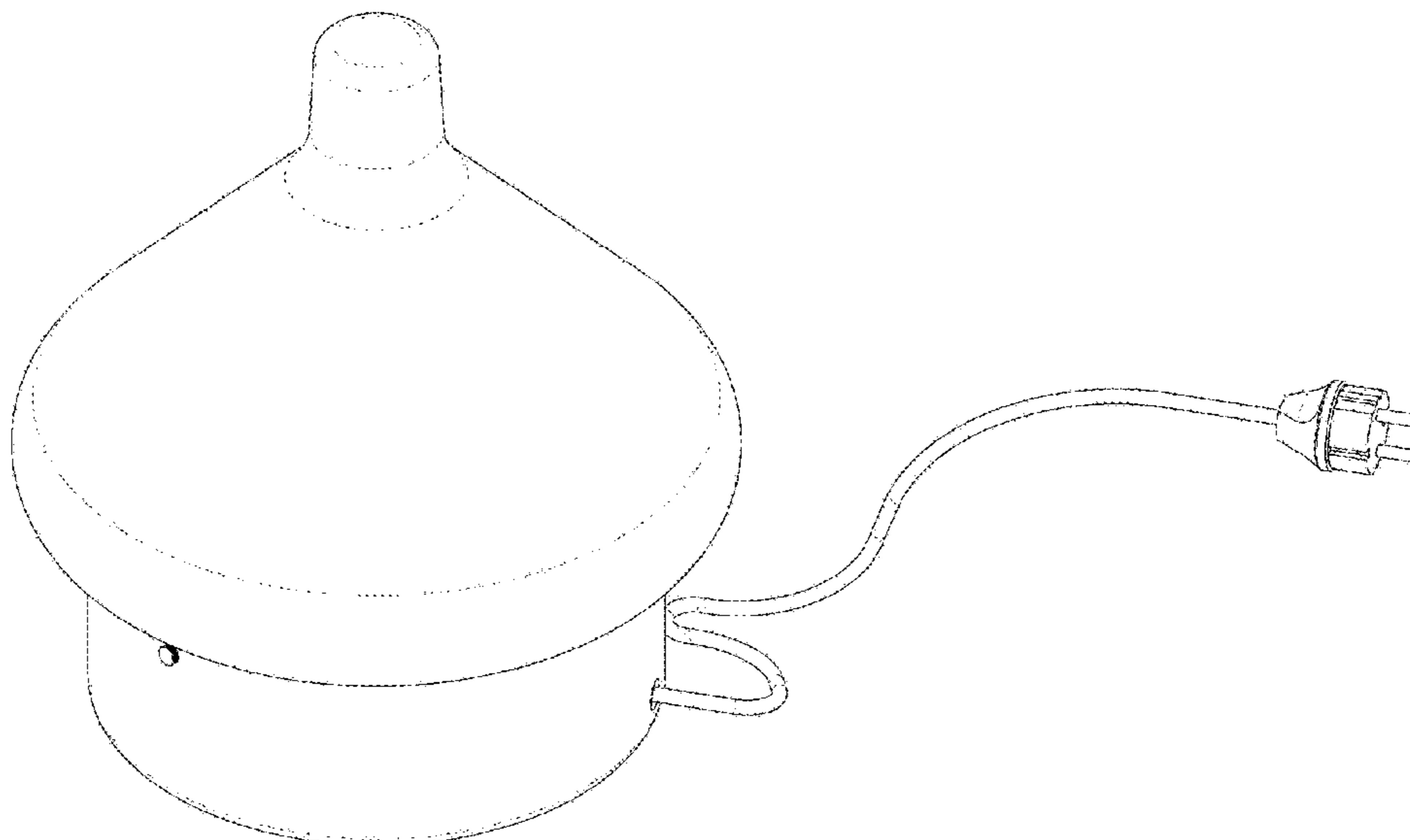
(57) **CLAIM**

The ornamental design for a outdoor lighting fixture, as shown and described.

DESCRIPTION

FIG. 1 is a perspective view of an outdoor lighting fixture showing my new design;
FIG. 2 is a front elevational view thereof;
FIG. 3 is a rear elevational view thereof;
FIG. 4 is a left plan view thereof;
FIG. 5 is a right plan view thereof;
FIG. 6 is a bottom elevational view thereof; and,
FIG. 7 is a top view thereof.
The thin, broken lines in the drawings depict the shape and contours of the surfaces. All surfaces of the outdoor lighting fixture are included in the claim.

1 Claim, 7 Drawing Sheets



(56)

References Cited

U.S. PATENT DOCUMENTS

D764,079 S * 8/2016 Wu F21V 17/00
D26/24
D803,462 S * 11/2017 Couckhuyt D26/93
D811,642 S * 2/2018 Liang D26/72
D815,335 S * 4/2018 Lin D26/110

OTHER PUBLICATIONS

Contemporain—Suspensions plafonniers: La Hutte. Undated; 2 pages. Found online Sep. 19, 2019 at http://www.roger-pradier.com/fr/s06_catalogue/s06p03_fiche_produit.php?luminaire=2684 (Year: 2019).*

* cited by examiner

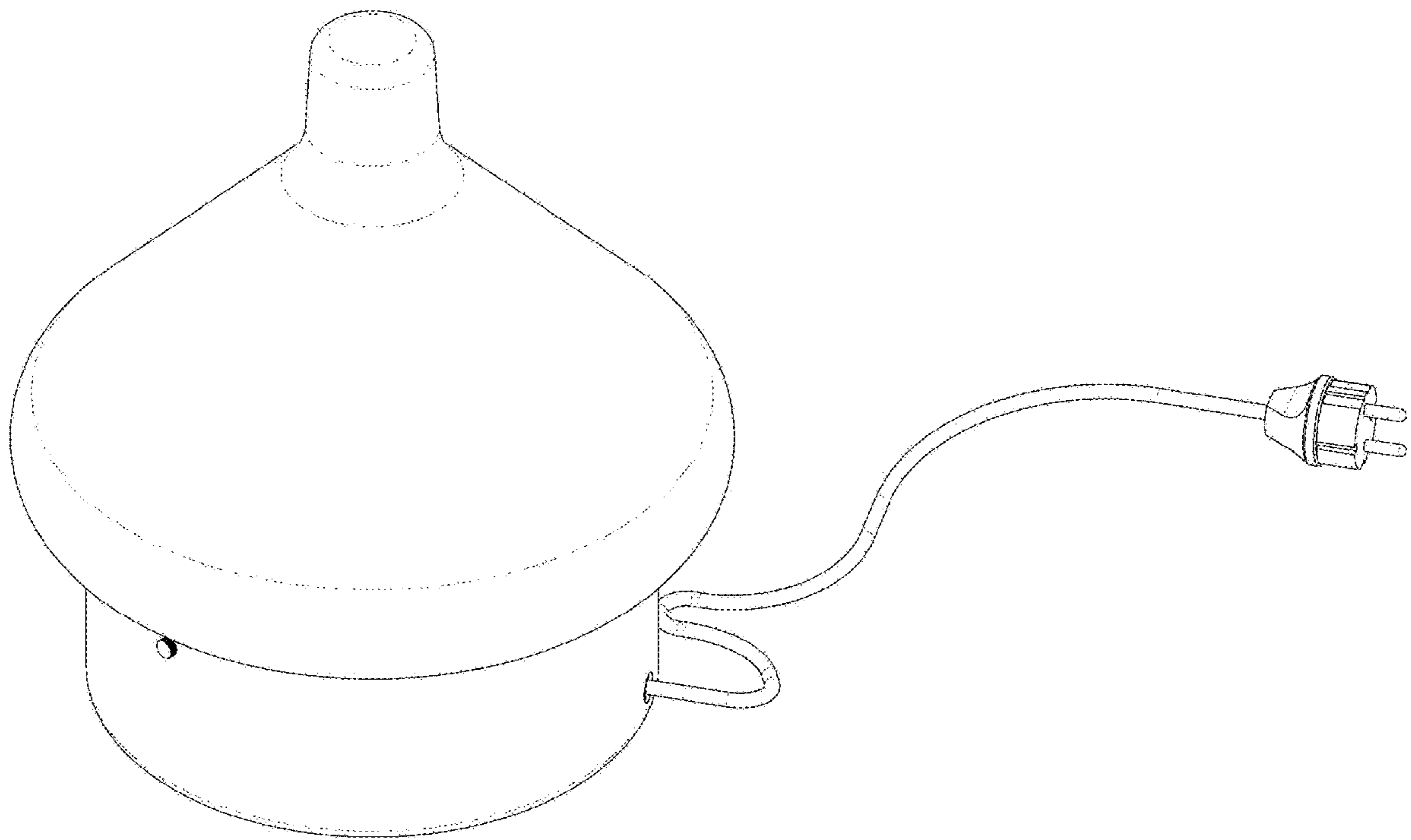


Fig. 1

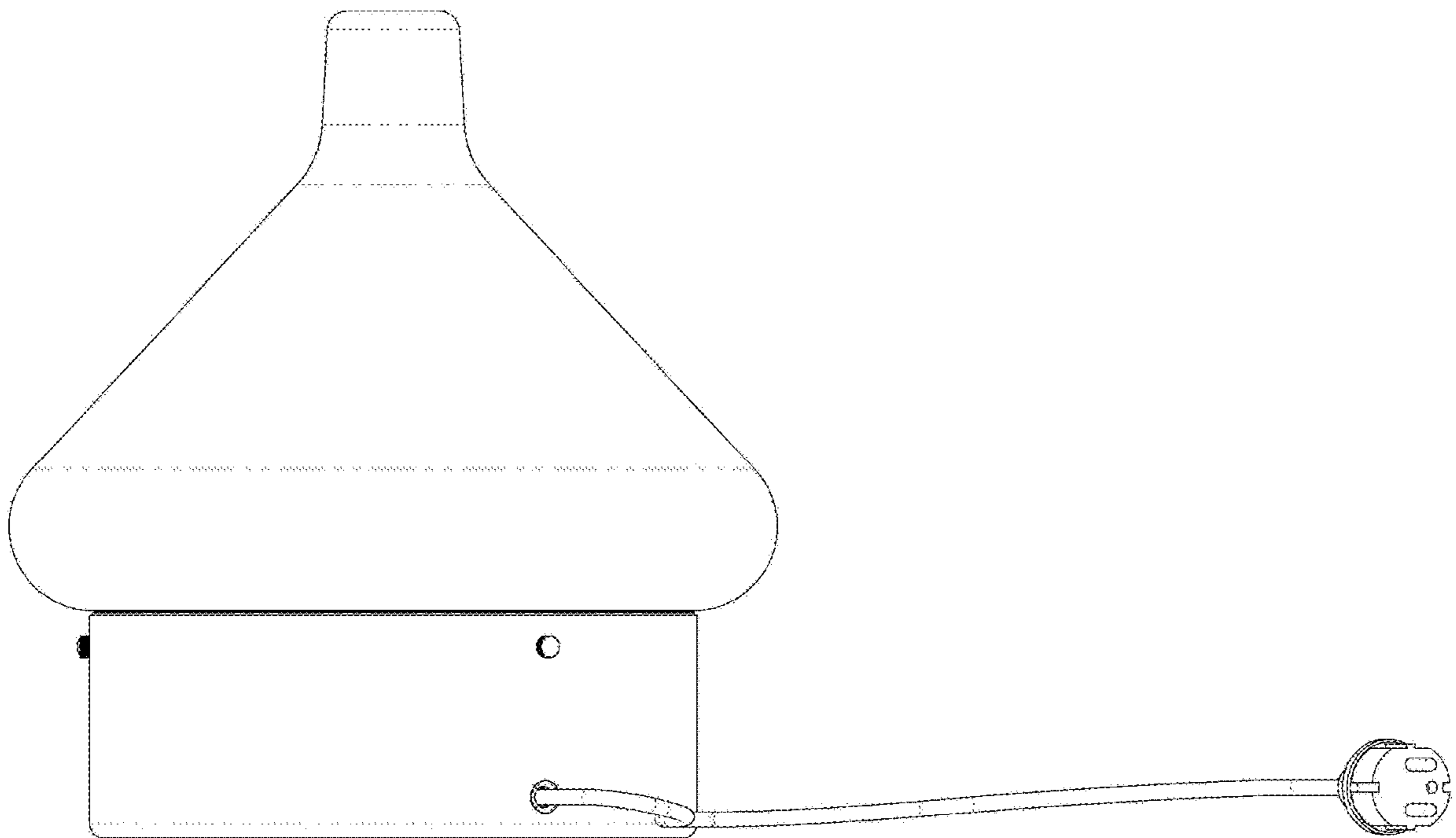


Fig. 2

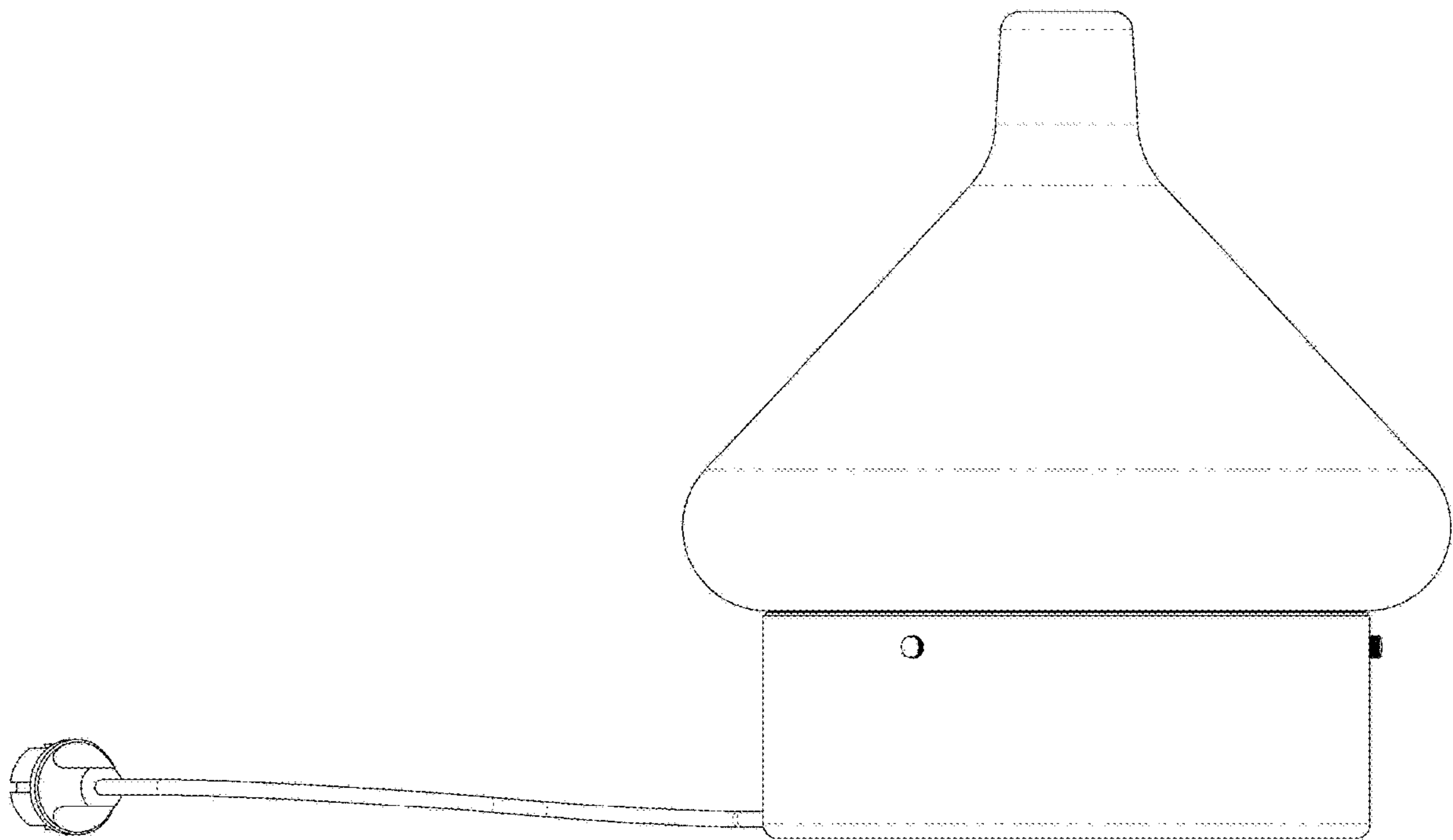


Fig. 3

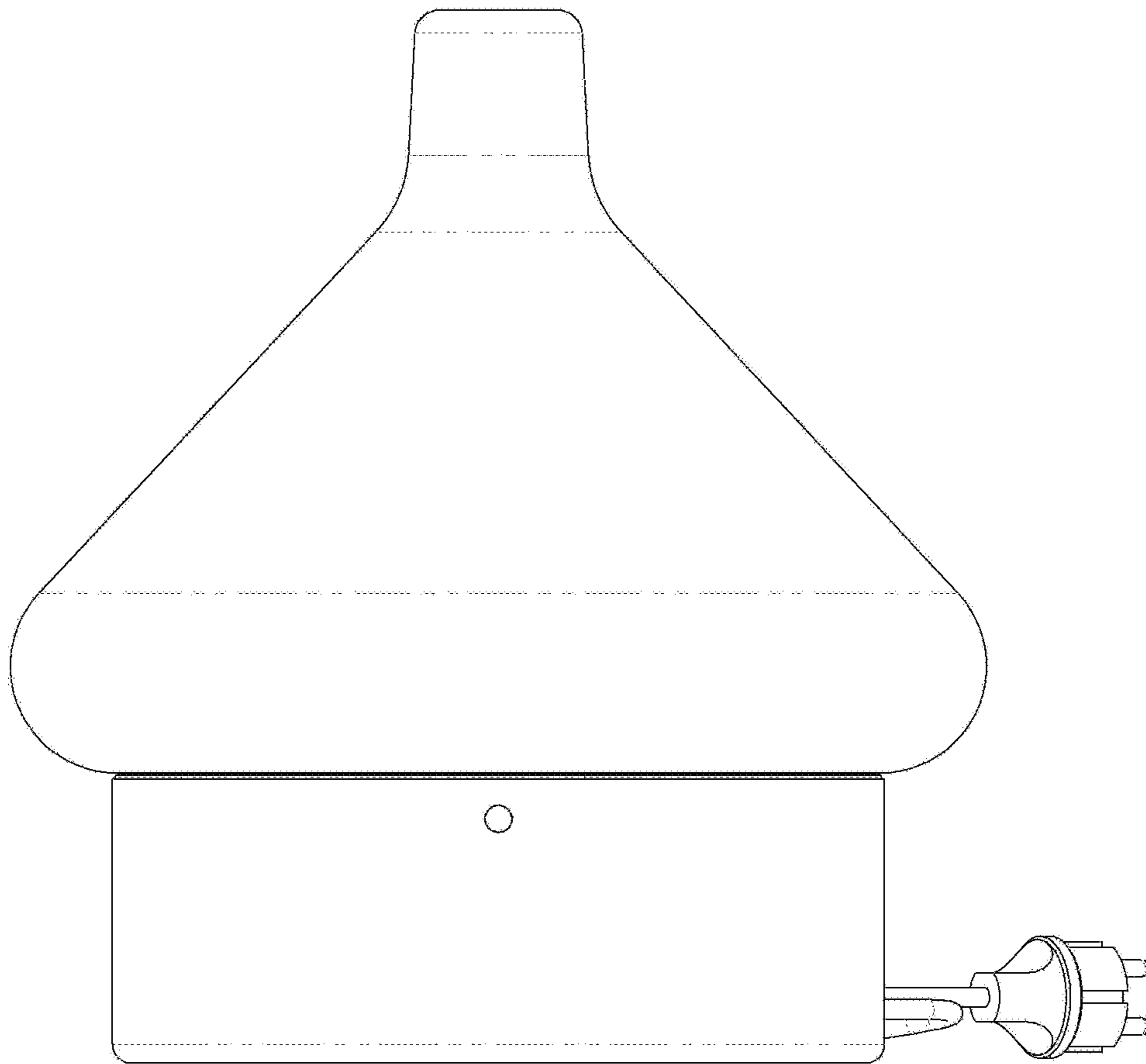


Fig. 4

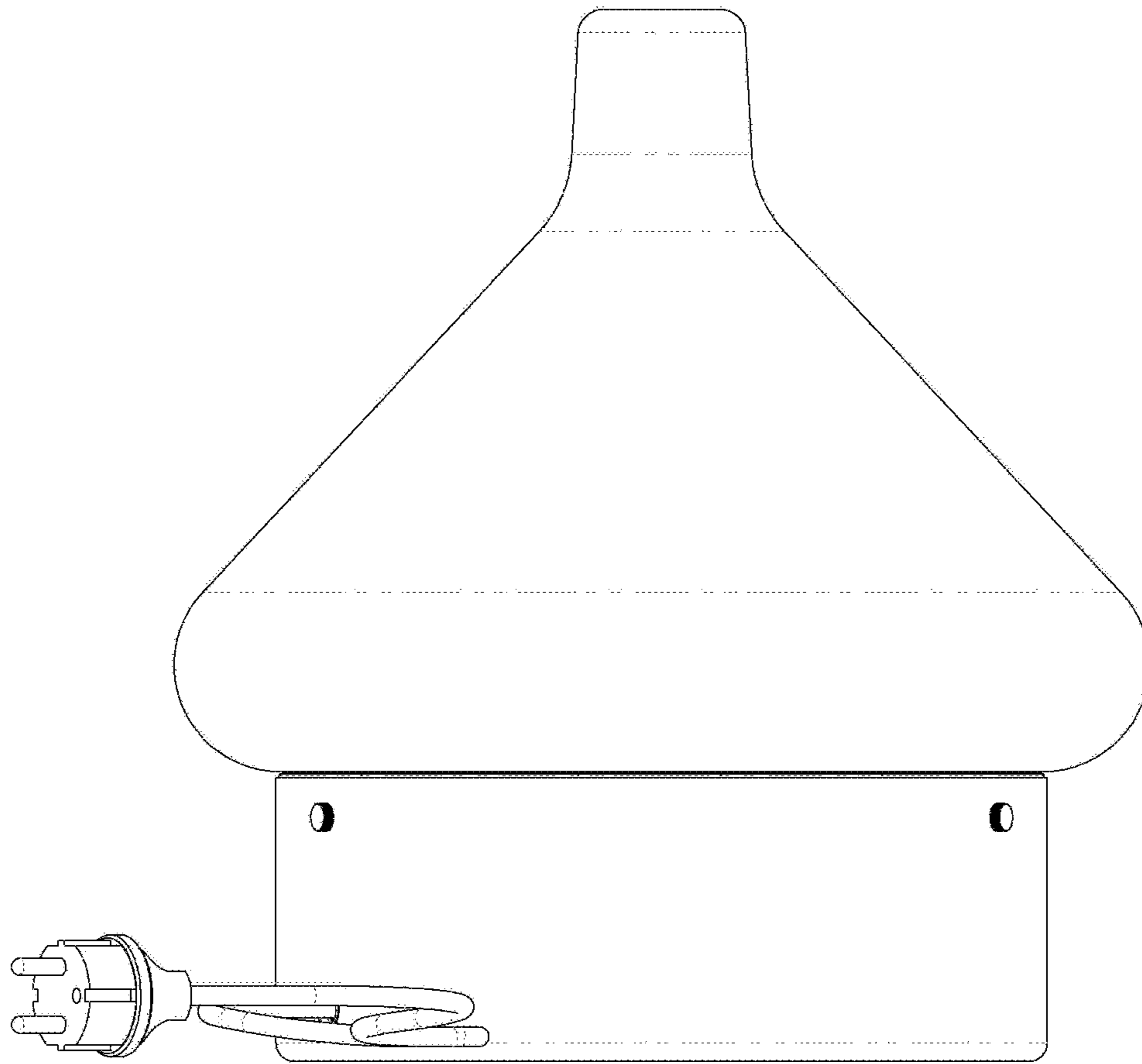


Fig. 5

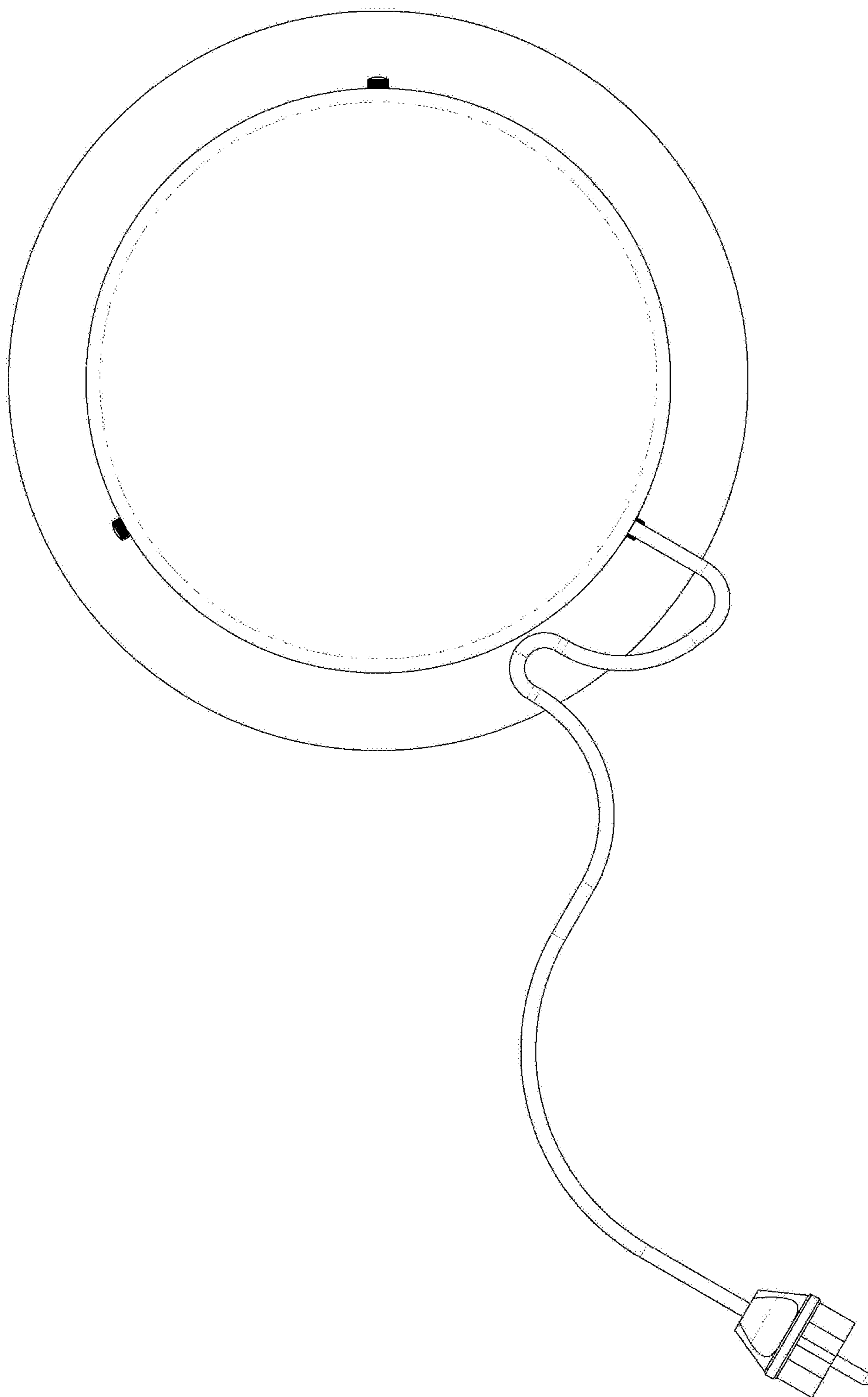


Fig. 6

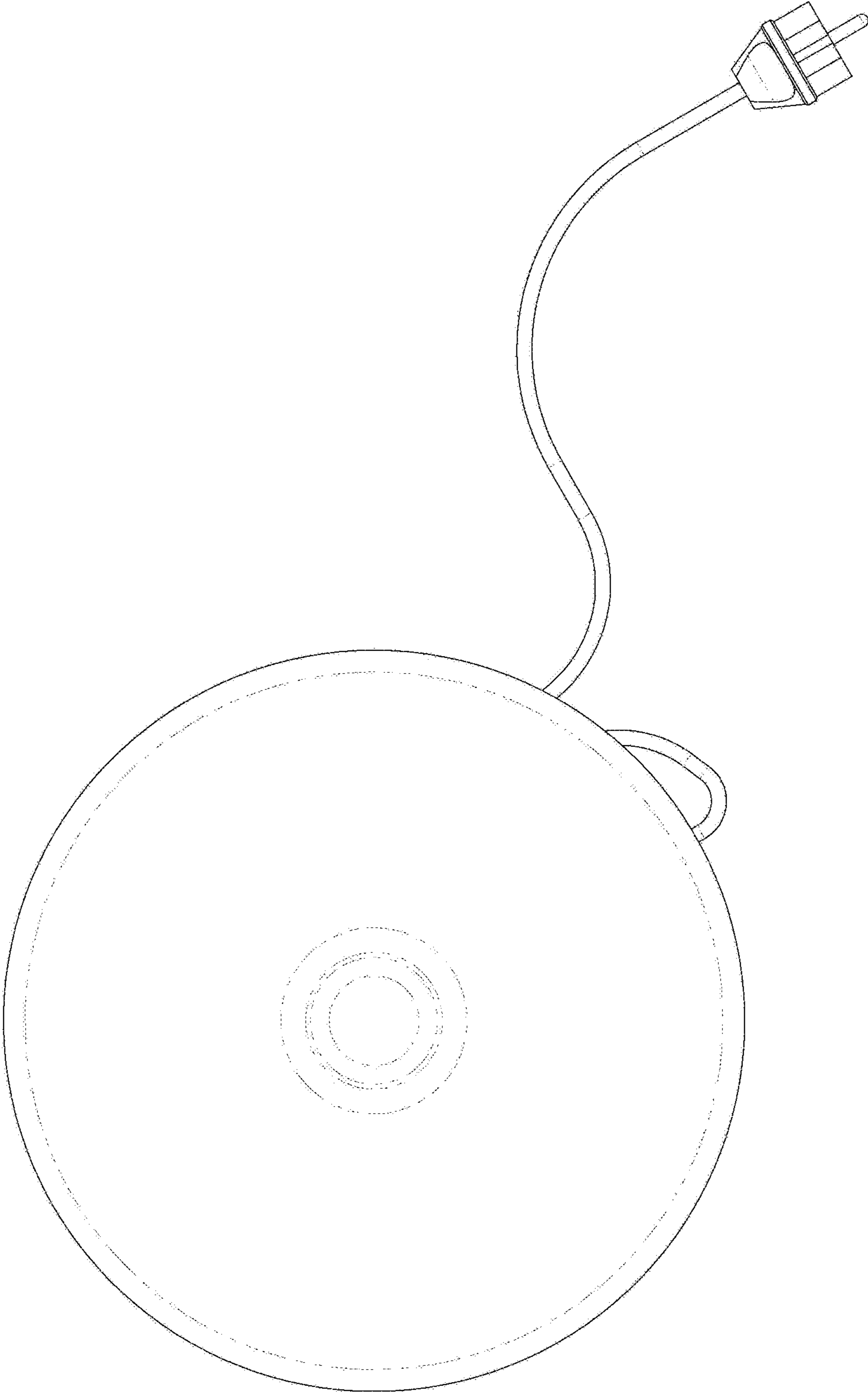


Fig. 7