



US00D876703S

(12) **United States Design Patent** (10) **Patent No.:** **US D876,703 S**
Liao (45) **Date of Patent:** **** Feb. 25, 2020**

(54) **LED ANIMATION LIGHT**

(71) Applicant: **Yihui Liao**, Fujian (CN)

(72) Inventor: **Yihui Liao**, Fujian (CN)

(**) Term: **15 Years**

(21) Appl. No.: **29/659,430**

(22) Filed: **Aug. 9, 2018**

(51) **LOC (12) Cl.** **26-05**

(52) **U.S. Cl.**
USPC **D26/94**

(58) **Field of Classification Search**
USPC D26/1, 24, 26, 36, 44, 61, 93, 94, 104,
D26/137; D10/111, 114.6, 114.8;
D11/121, 125, 131, 141, 157; D21/708
CPC F21V 1/00; F21V 1/10; F21V 3/00; F21V
3/02; F21V 3/023; F21V 7/04; F21V
7/043; F21V 7/045; F21V 37/0095; F21V
21/02; F21V 21/30; F21V 33/0004; F21V
33/0012; F21V 33/0024; F21V 15/00;
F21L 4/00; F21S 6/00; F21S 6/002
See application file for complete search history.

(56) **References Cited**

U.S. PATENT DOCUMENTS

D393,016 S * 3/1998 Young D21/398
D403,800 S * 1/1999 Chen D26/104

D460,204 S * 7/2002 Giese D26/26
D551,591 S * 9/2007 Wesorick D11/131
D670,424 S * 11/2012 Lee D26/93
D752,802 S * 3/2016 Johnson D26/94
D762,913 S * 8/2016 Anderson D26/106
D829,961 S * 10/2018 Lin D26/104
D852,405 S * 6/2019 Zeng D26/104
D854,226 S * 7/2019 Lin D26/104
2003/0086266 A1 * 5/2003 Leen F21S 8/035
362/276

* cited by examiner

Primary Examiner — Wan Laymon
Assistant Examiner — Clint A Samuel

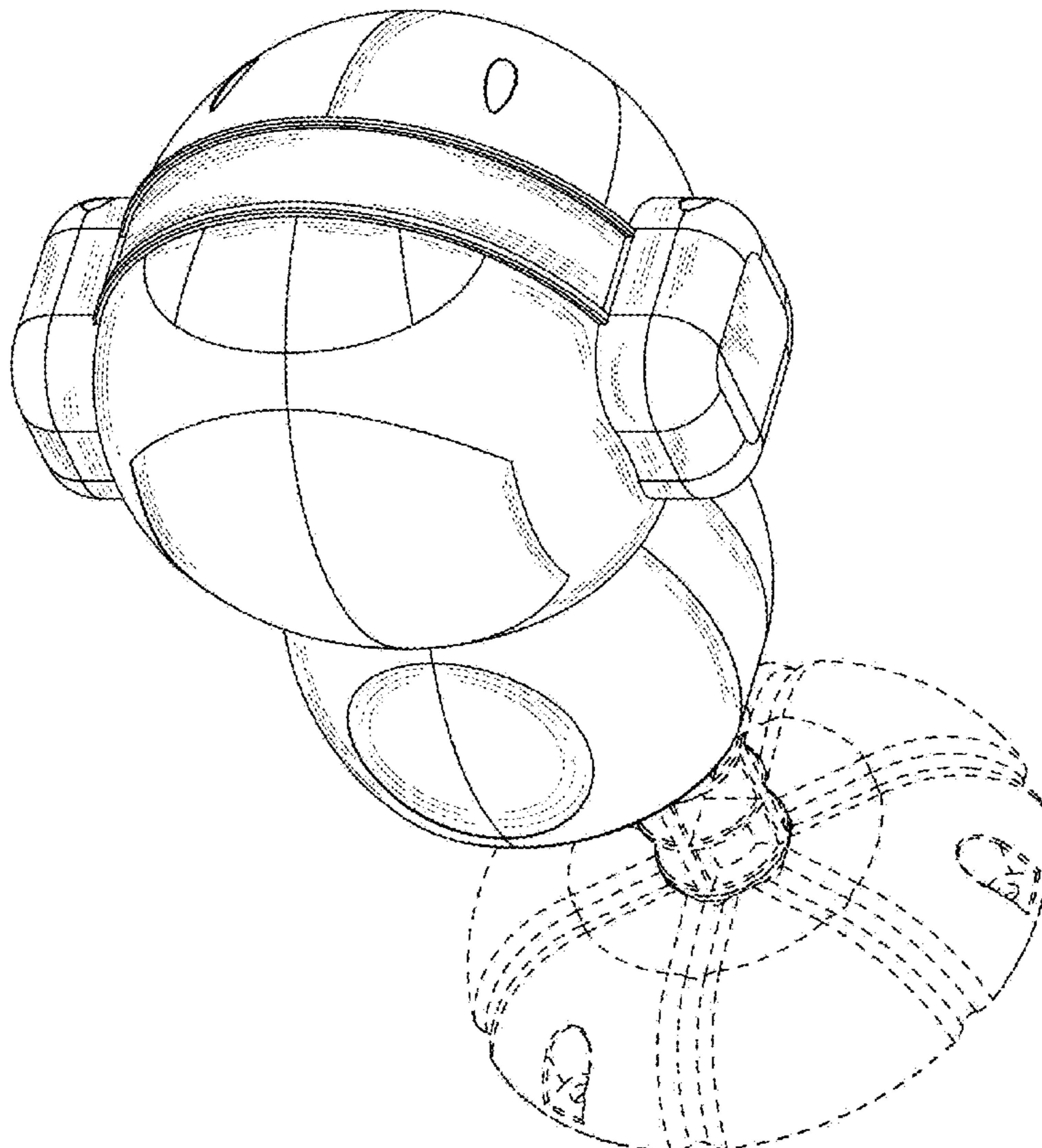
(57) **CLAIM**

The ornamental design for a LED animation light, as shown and described.

DESCRIPTION

FIG. 1 is a front perspective view of a LED animation light showing my new design;
FIG. 2 is a front elevational view thereof;
FIG. 3 is a rear elevational view thereof;
FIG. 4 is a left side elevational view thereof;
FIG. 5 is a right side elevational view thereof;
FIG. 6 is a top plan view thereof; and,
FIG. 7 is a bottom plan view thereof.
The broken lines depict environment that forms no part of the claimed design.

1 Claim, 7 Drawing Sheets



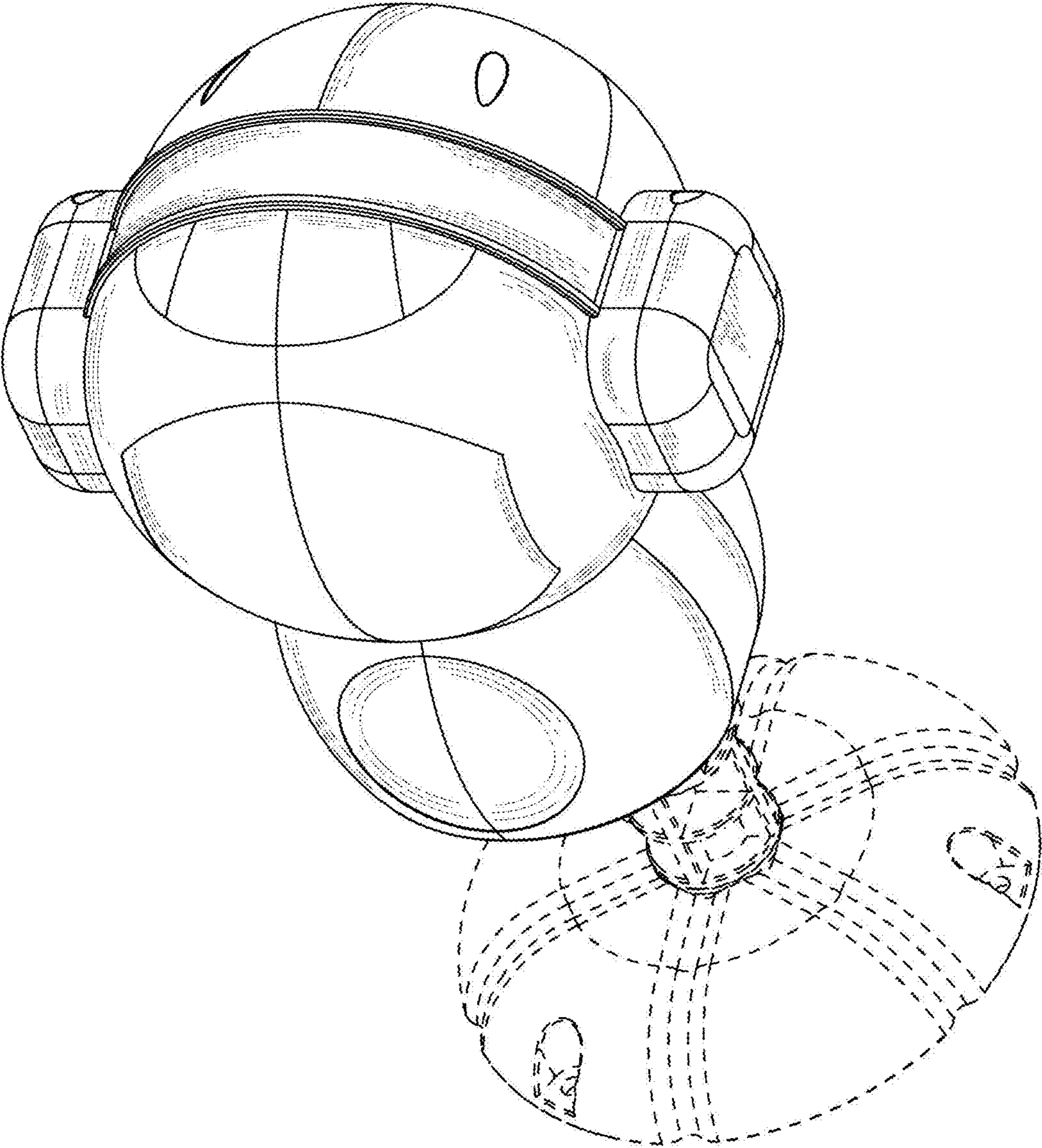


FIG.1

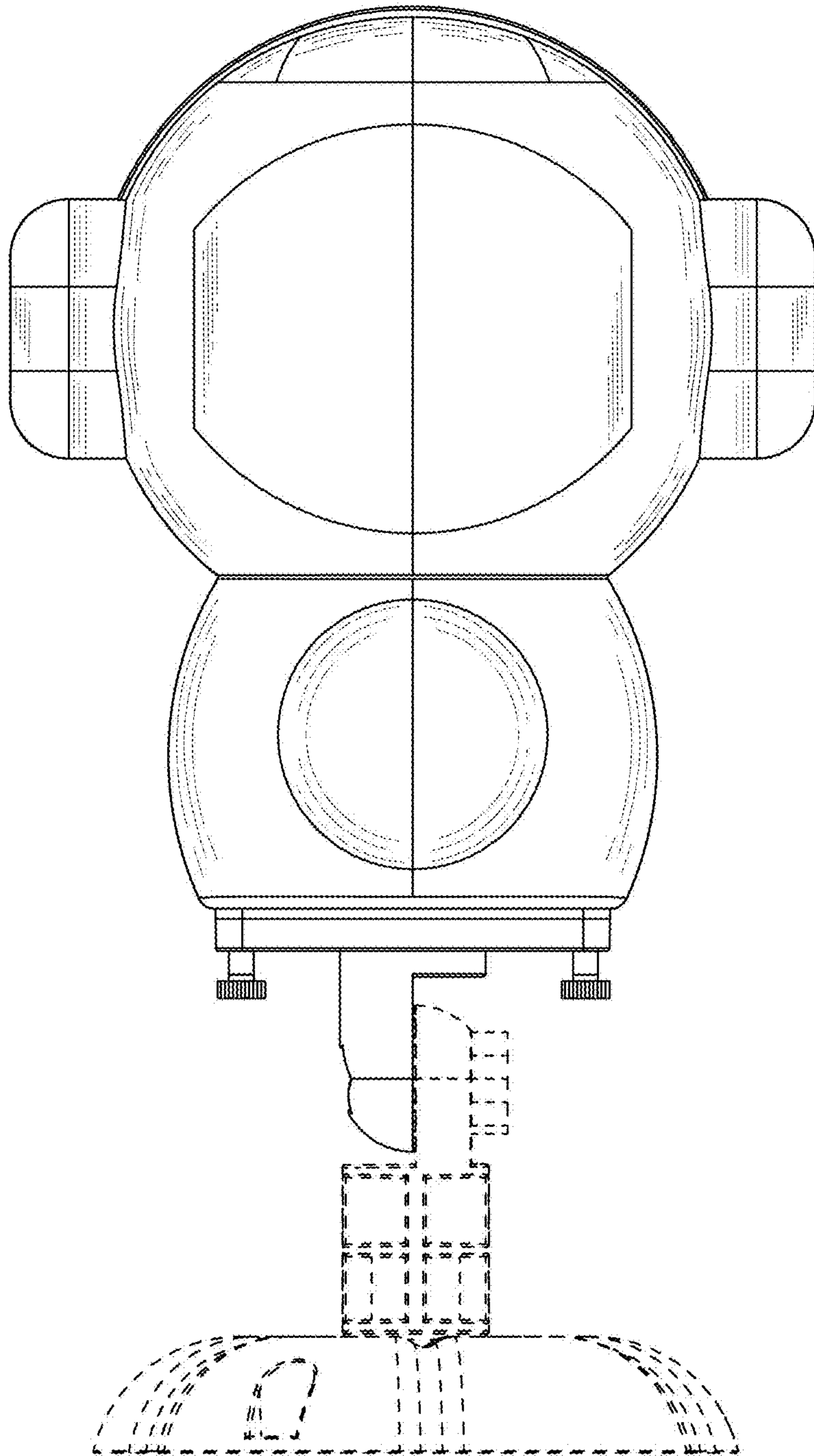


FIG.2

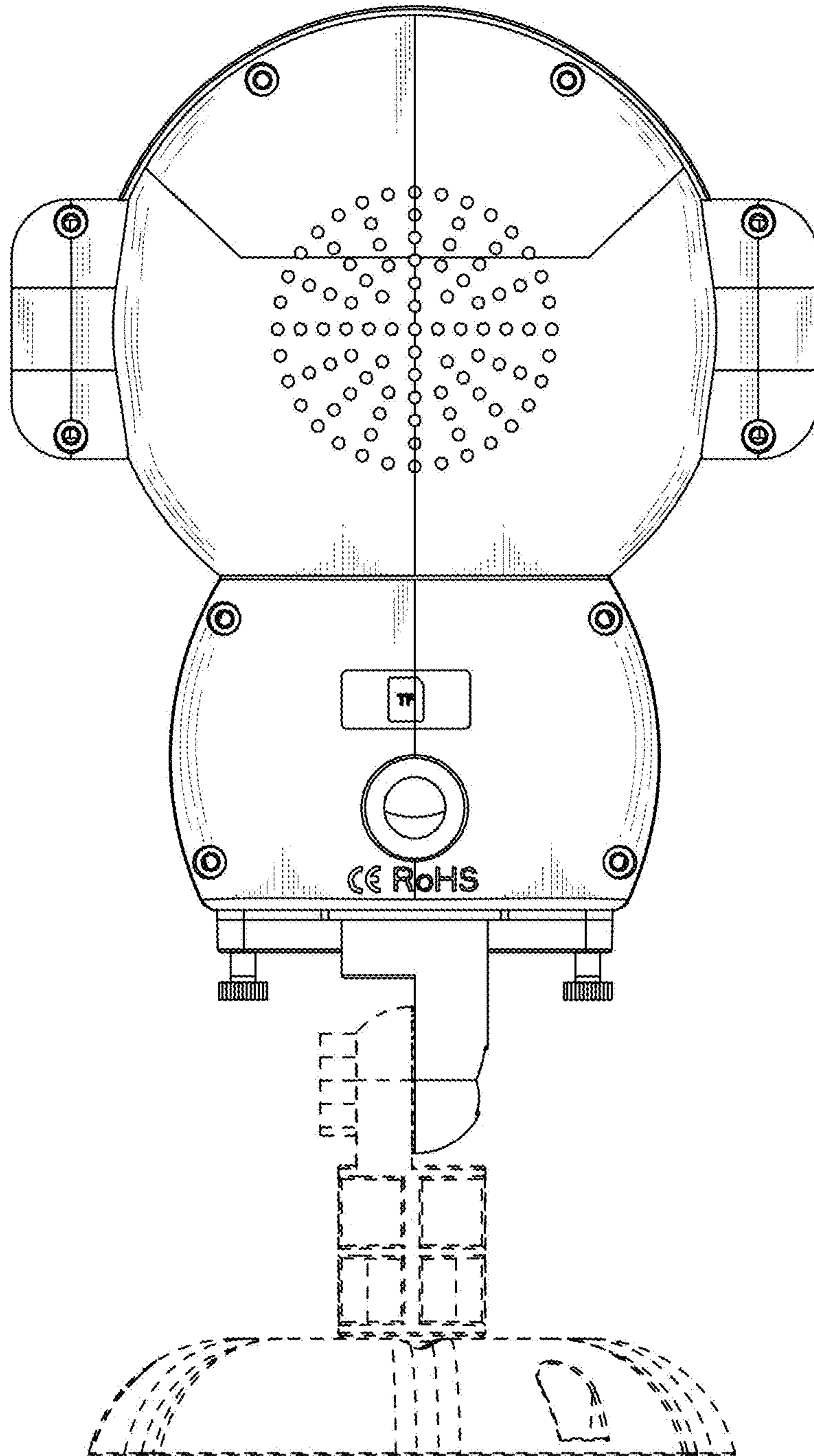


FIG.3

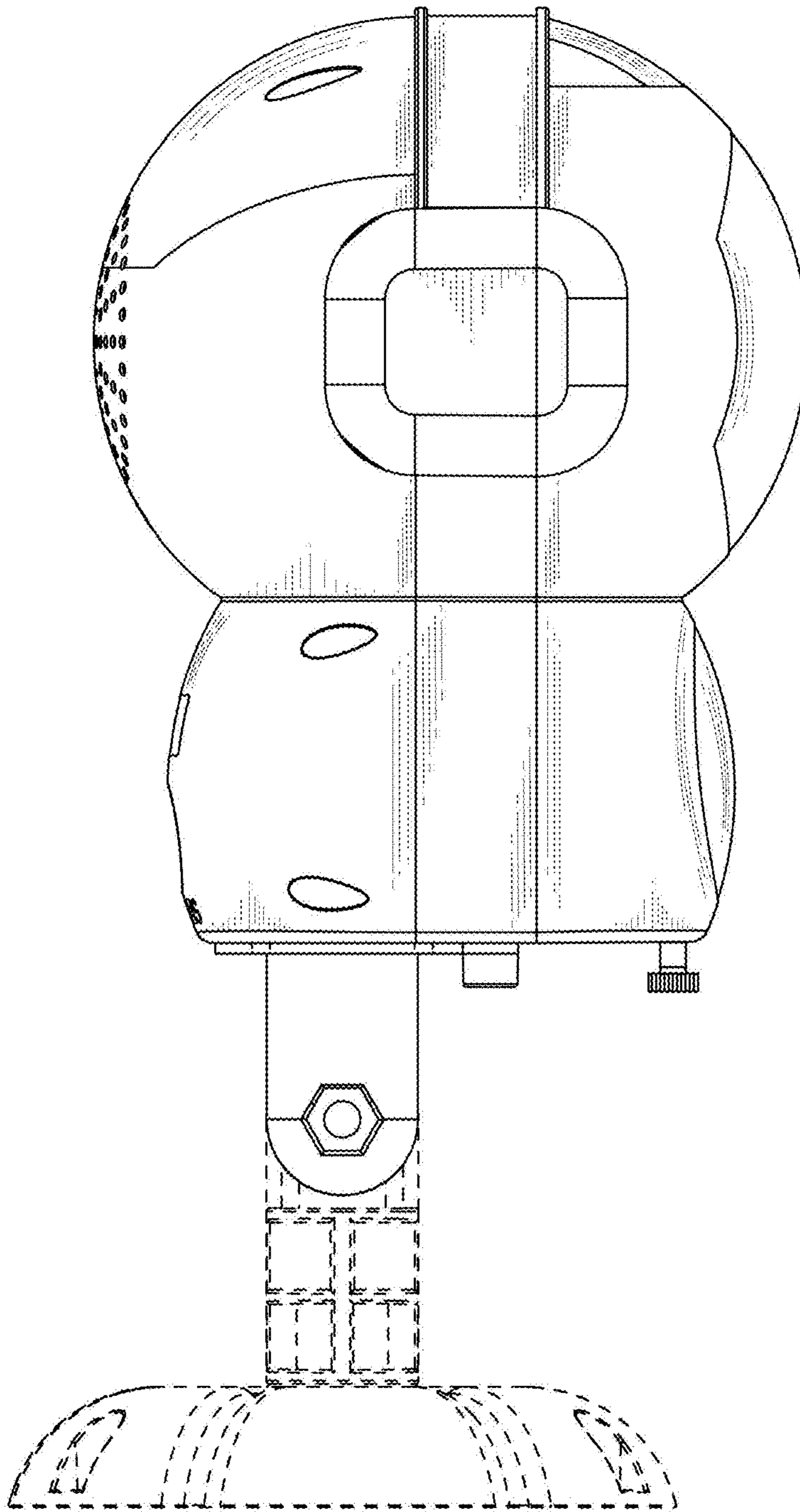


FIG.4

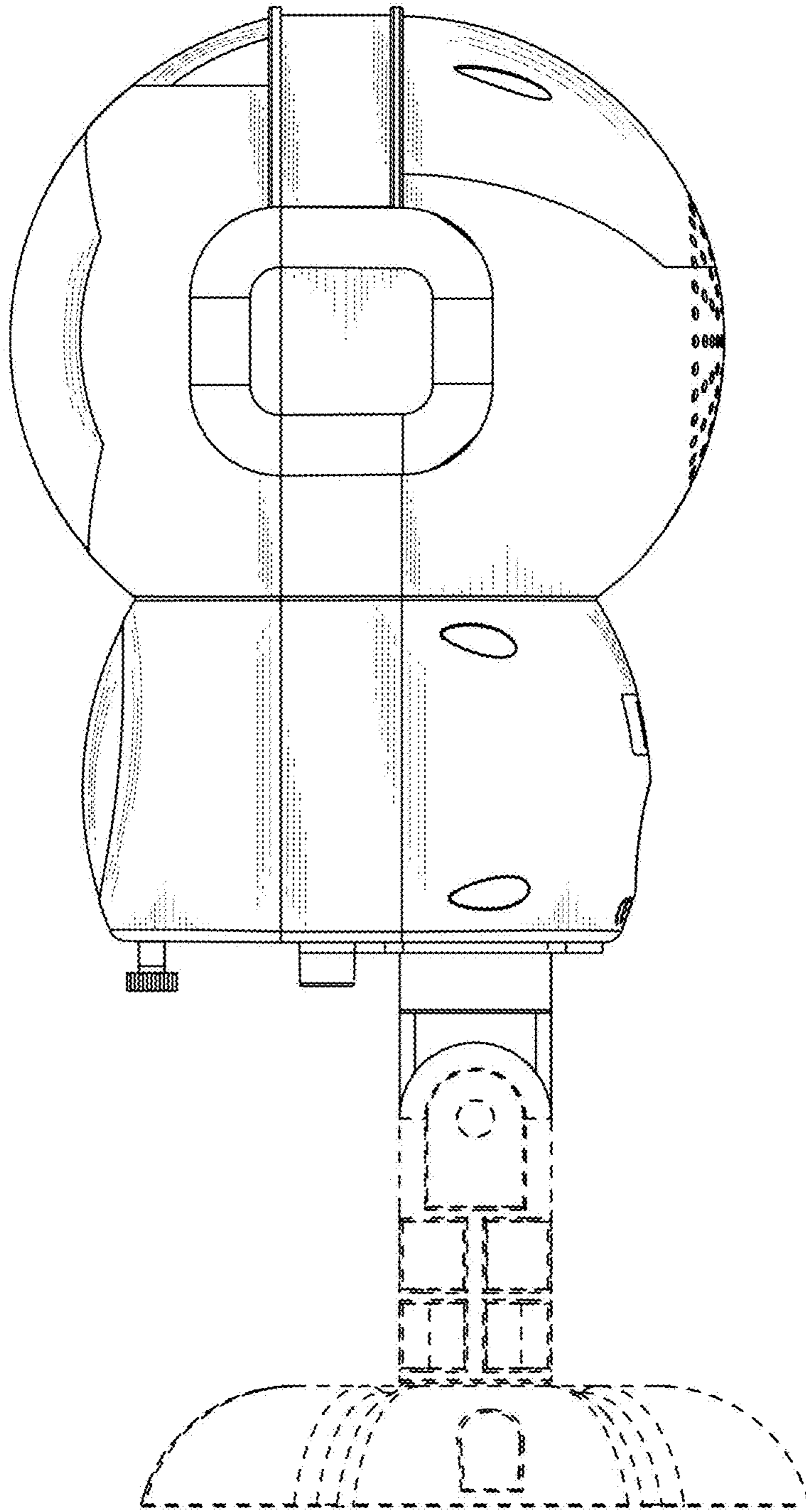


FIG.5

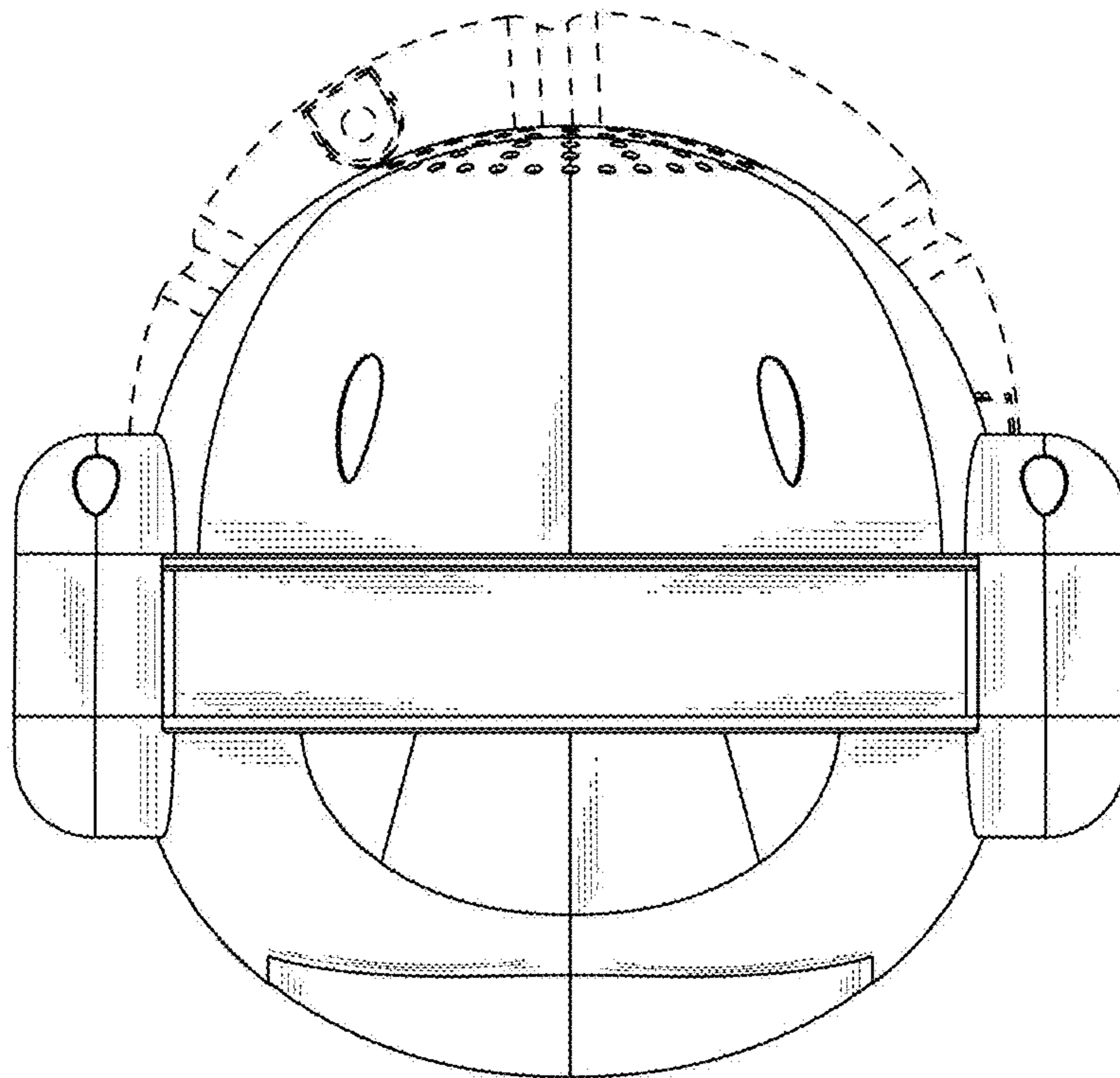


FIG.6

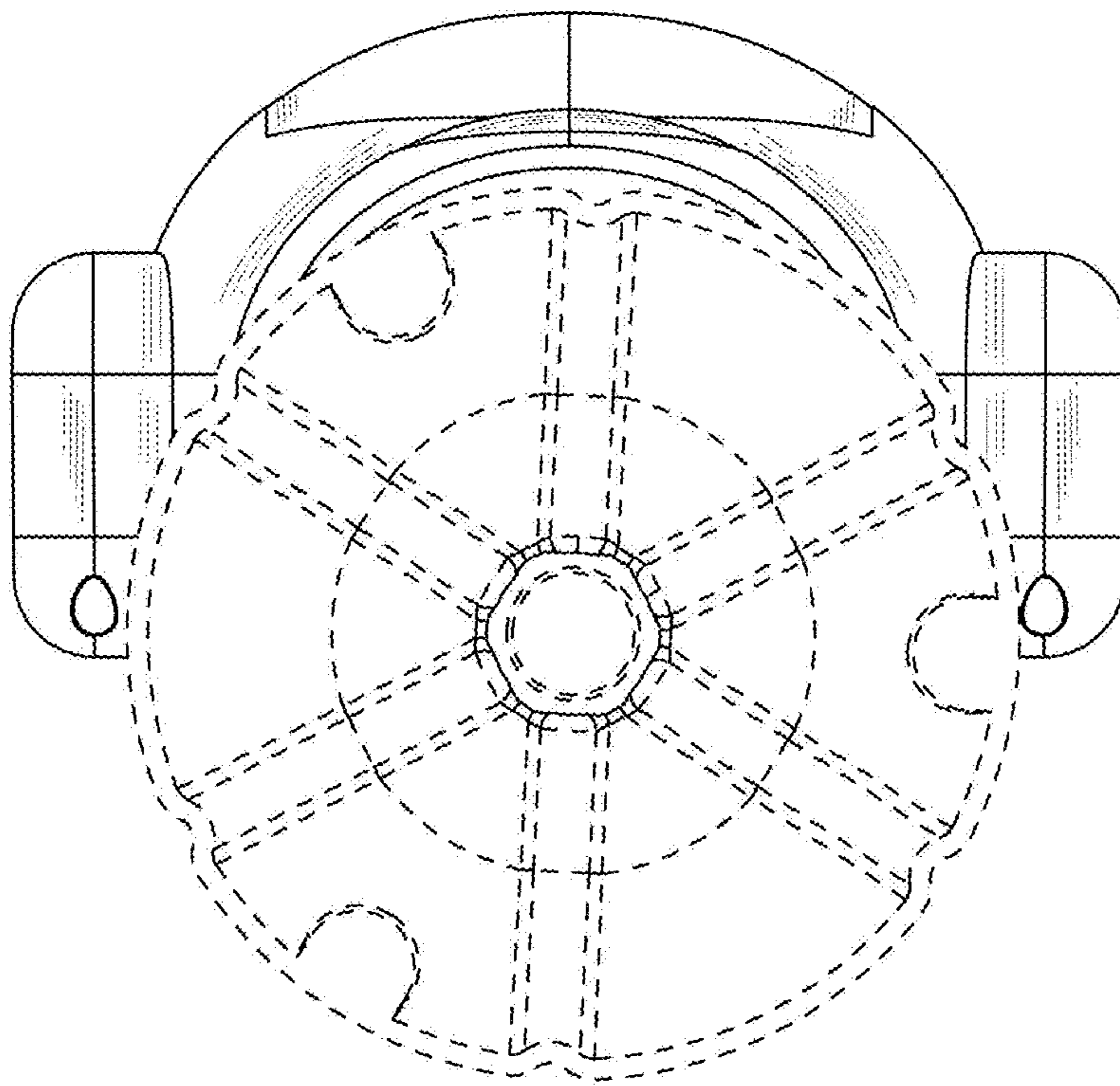


FIG.7