



US00D876698S

(12) **United States Design Patent**
Hidalgo

(10) **Patent No.:** **US D876,698 S**

(45) **Date of Patent:** **** Feb. 25, 2020**

(54) **CEILING FAN LIGHT FIXTURE**

(71) Applicant: **Minka Lighting, Inc.**, Corona, CA
(US)

(72) Inventor: **Rolando Hidalgo**, Yorba Linda, CA
(US)

(73) Assignee: **Minka Lighting, Inc.**, Corona, CA
(US)

(**) Term: **15 Years**

(21) Appl. No.: **29/649,880**

(22) Filed: **Jun. 1, 2018**

2,730,612	A *	1/1956	Westendorf	F21L 14/00
					362/376
3,078,367	A *	2/1963	Jackson	F21V 15/02
					362/296.01
D395,702	S *	6/1998	Flatt	D23/314
D439,697	S *	3/2001	Klaus	D26/119
D517,231	S *	3/2006	Pickett	D26/59
D675,371	S *	1/2013	Nowak	D26/128
D754,908	S *	4/2016	Orozco	D26/85
D823,512	S *	7/2018	Vajen Habig	D26/59
D829,363	S *	9/2018	Lan	D26/119
D834,698	S *	11/2018	Hidalgo	D23/377
D855,872	S *	8/2019	Lan	D26/119
D855,873	S *	8/2019	Haggar	D26/119
D856,572	S *	8/2019	Haggar	D26/119
D857,978	S *	8/2019	Fan	D26/119
D858,863	S *	9/2019	Deng	D26/119

* cited by examiner

Related U.S. Application Data

(63) Continuation-in-part of application No. 29/590,111,
filed on Jan. 6, 2017, now abandoned.

(51) **LOC (12) Cl.** **26-05**

(52) **U.S. Cl.**
USPC **D26/59; D26/119**

(58) **Field of Classification Search**
USPC ... D26/59, 24, 118, 119, 121–124, 128–137;
D23/370, 377–382, 411–414
CPC F04D 25/088; F04D 29/38; F21V 21/03;
B63H 1/16
See application file for complete search history.

(56) **References Cited**

U.S. PATENT DOCUMENTS

D81,532	S *	7/1930	Gosling	D26/88
1,921,295	A *	8/1933	Hume	F21V 15/02
					362/378
2,394,697	A *	2/1946	Kollath	F21L 14/00
					362/376

Primary Examiner — Janice Hallmark

(74) *Attorney, Agent, or Firm* — Seyfarth Shaw LLP

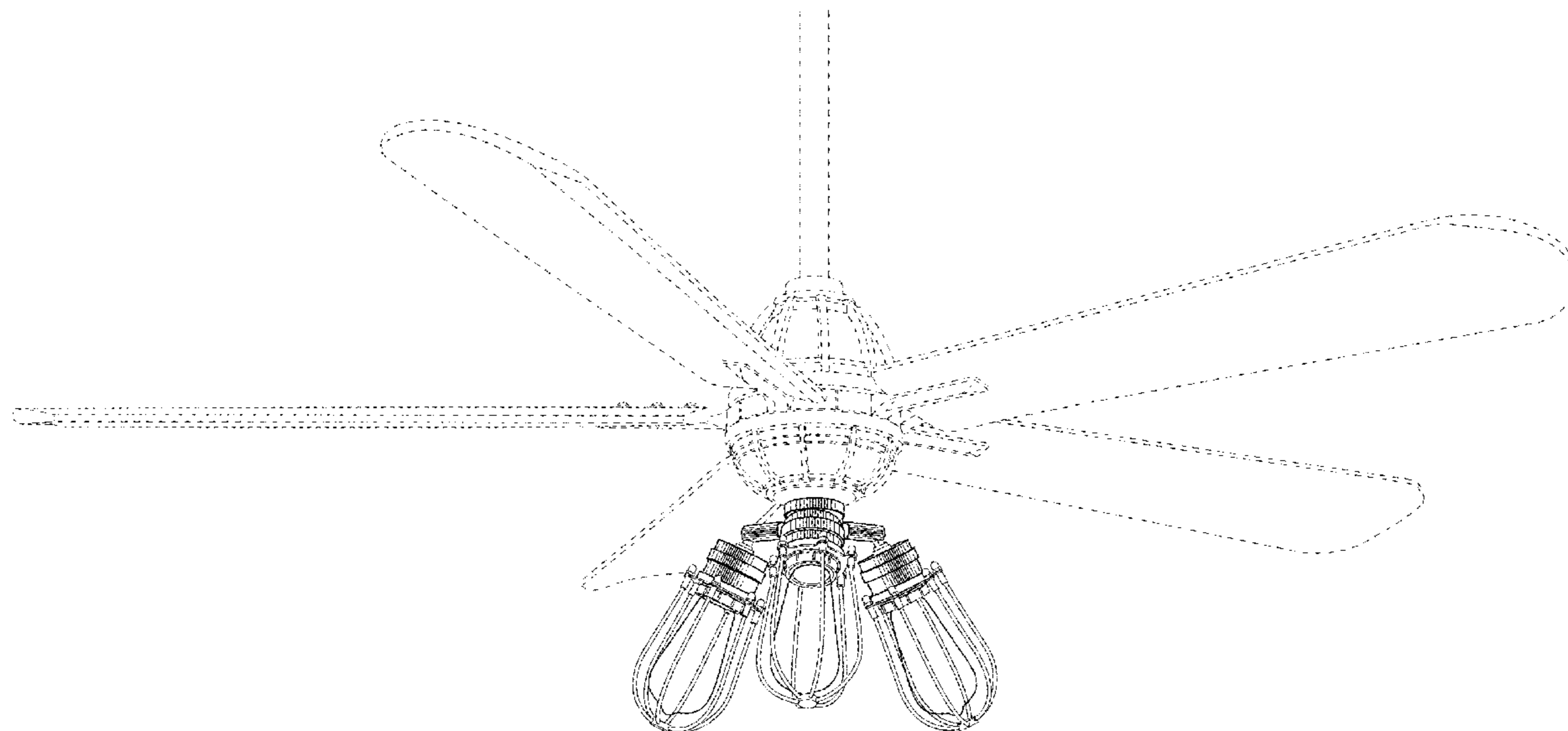
(57) **CLAIM**

The ornamental design for a ceiling fan light fixture, as shown and described.

DESCRIPTION

FIG. 1 is a perspective view of a ceiling fan light fixture in accordance with my design;
FIG. 2 is a top plan view thereof;
FIG. 3 is a bottom plan view thereof;
FIG. 4 is a front elevation view thereof;
FIG. 5 is a rear elevation view thereof;
FIG. 6 is a left elevation view thereof; and,
FIG. 7 is a right elevation view thereof.
The broken lines showing a ceiling fan illustrate environmental subject matter only and form no part of the claimed design.

1 Claim, 5 Drawing Sheets



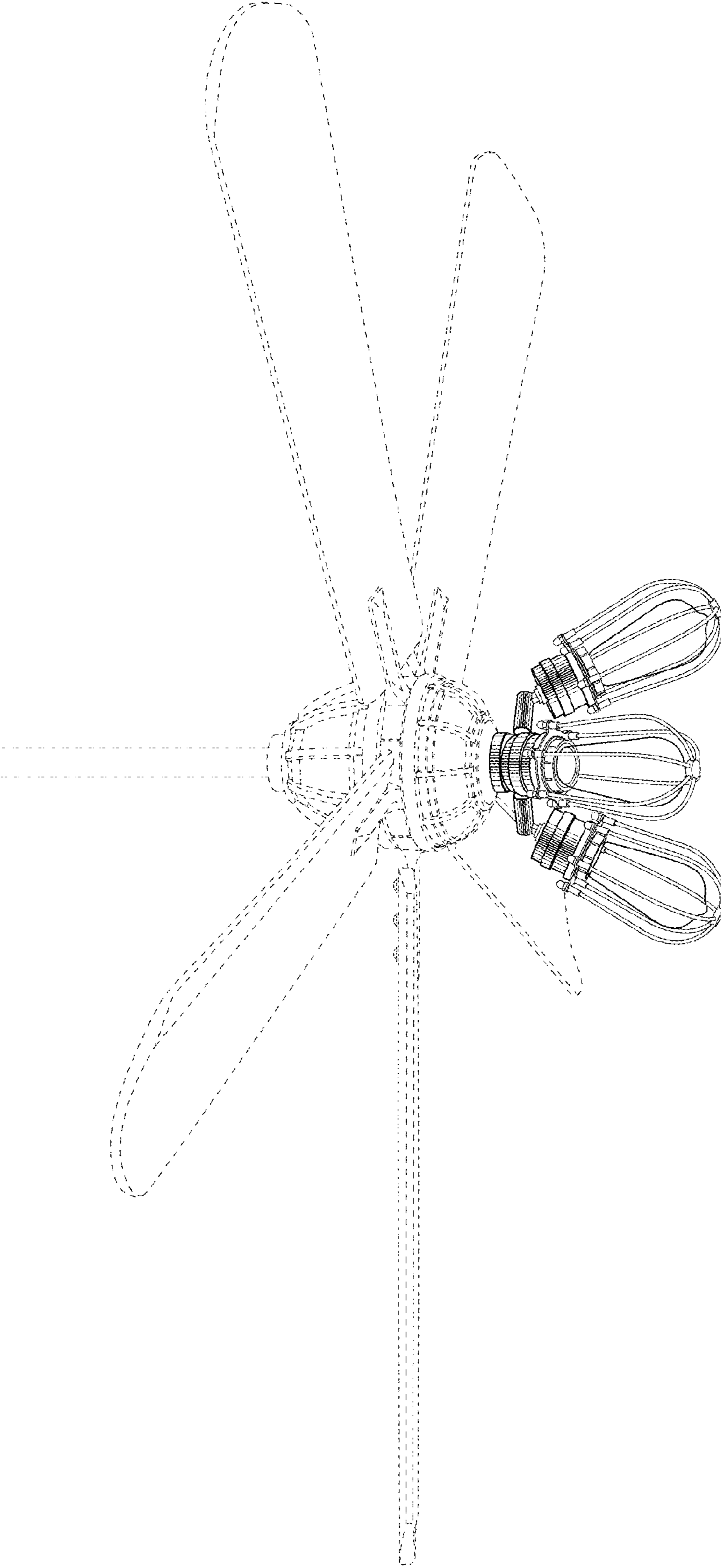


Fig. 1

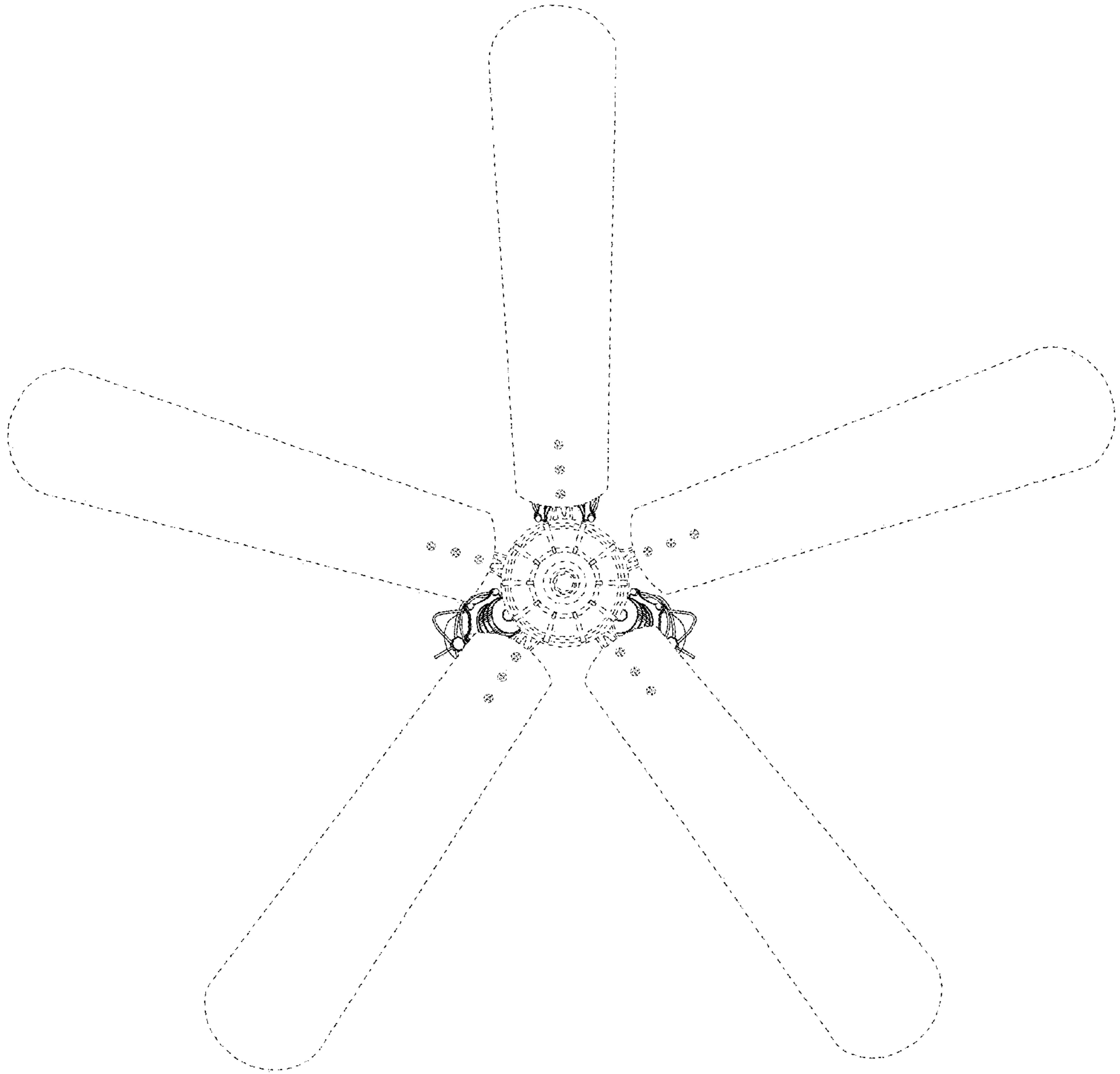


Fig.2

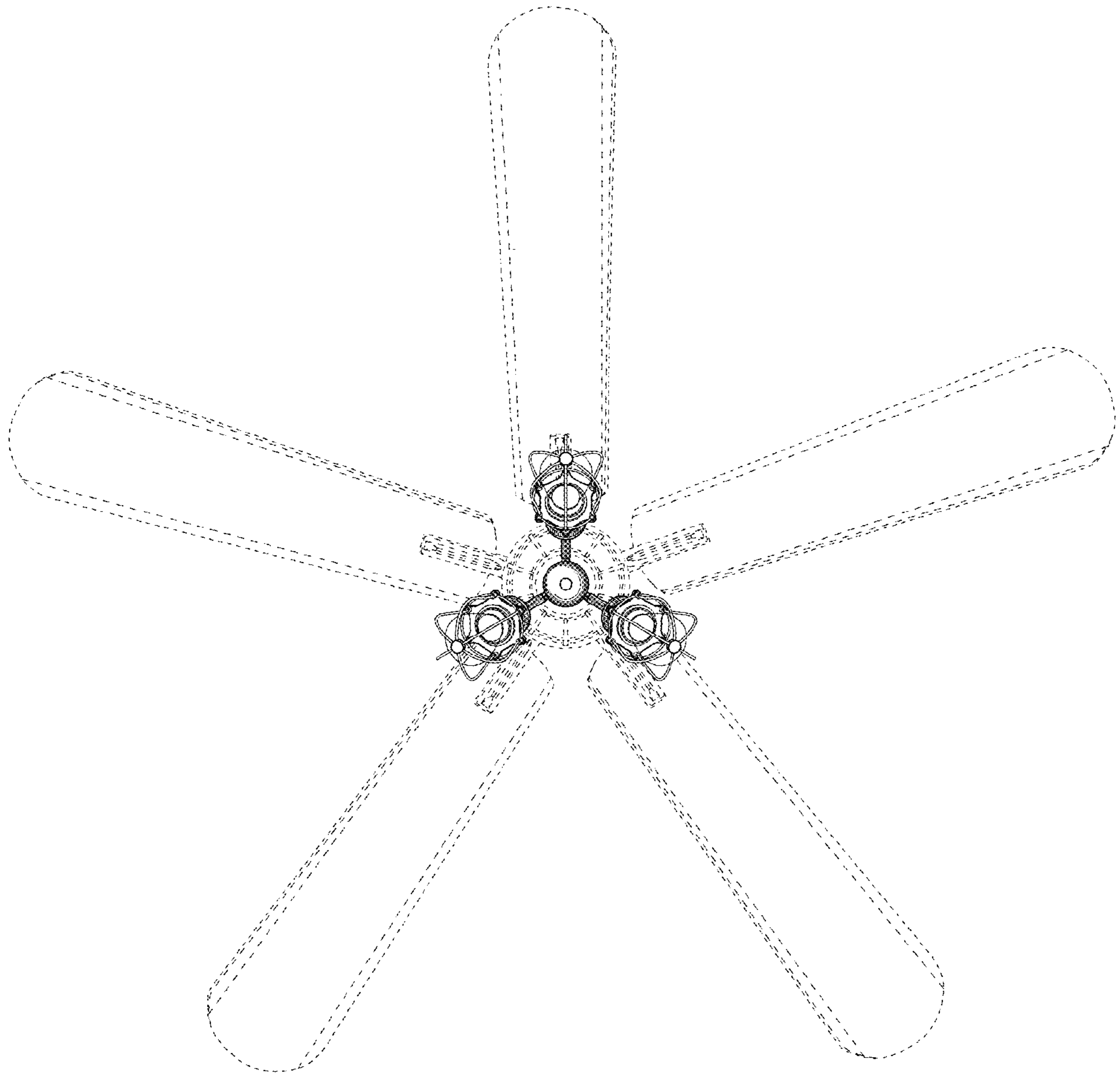


Fig.3

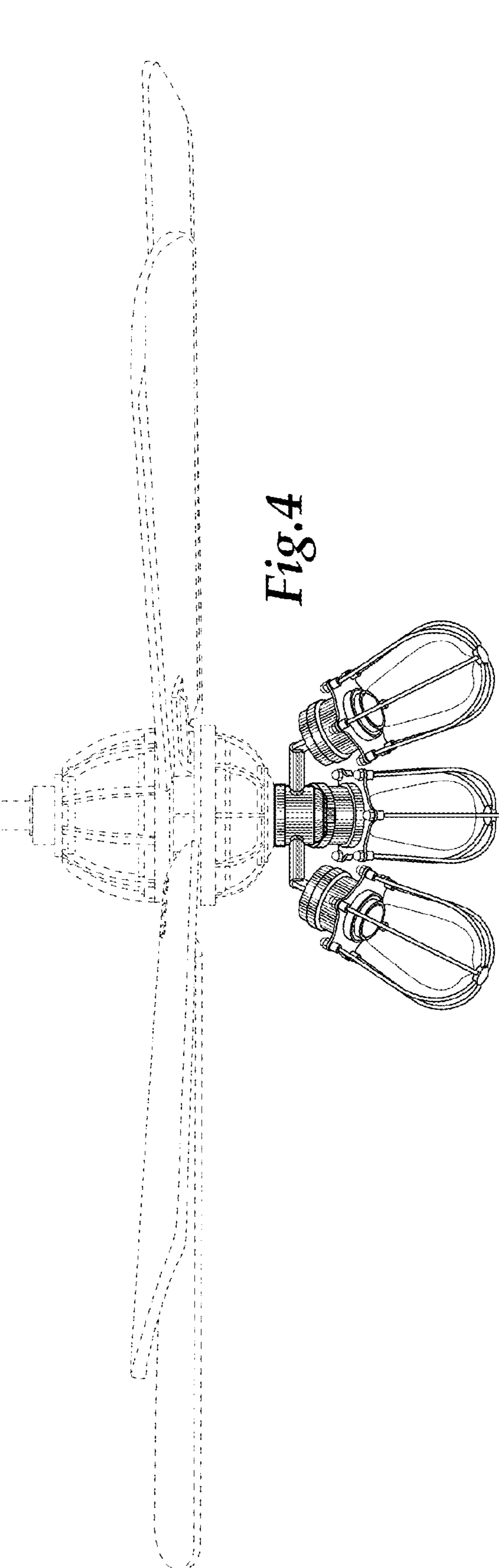


Fig. 4

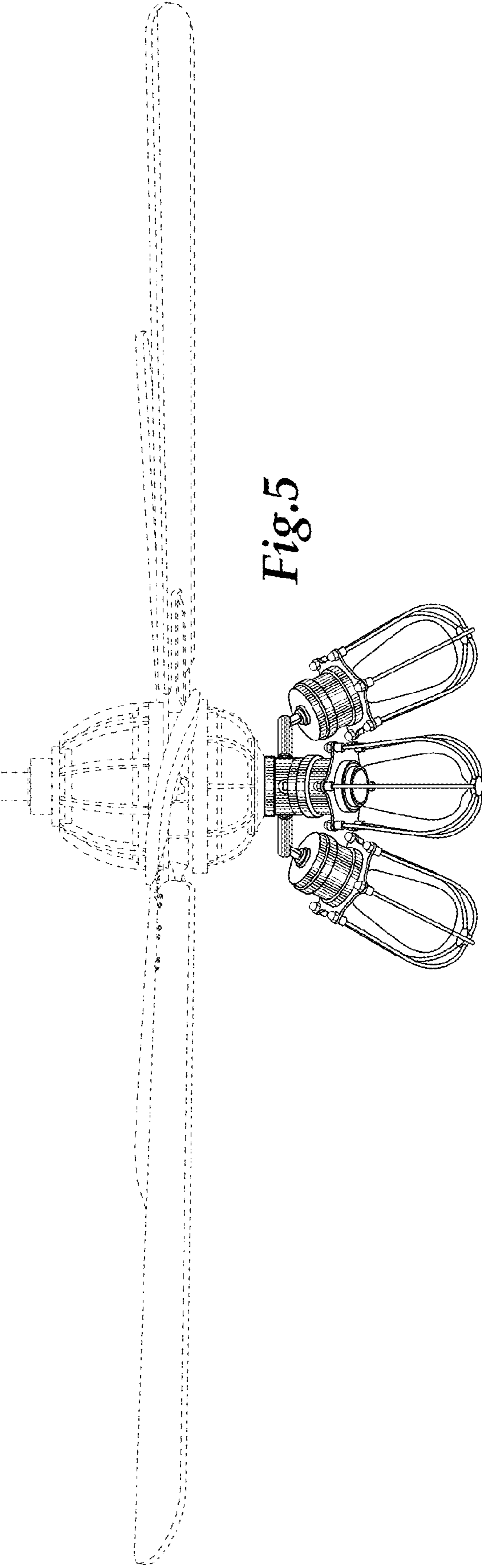


Fig. 5

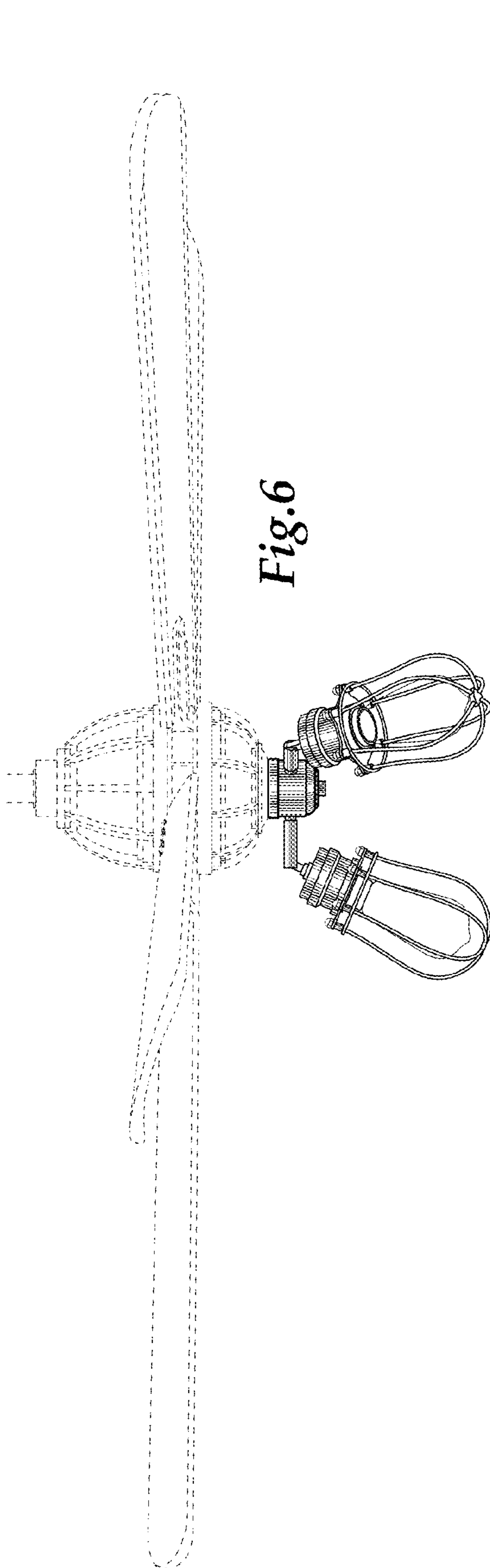


Fig. 6

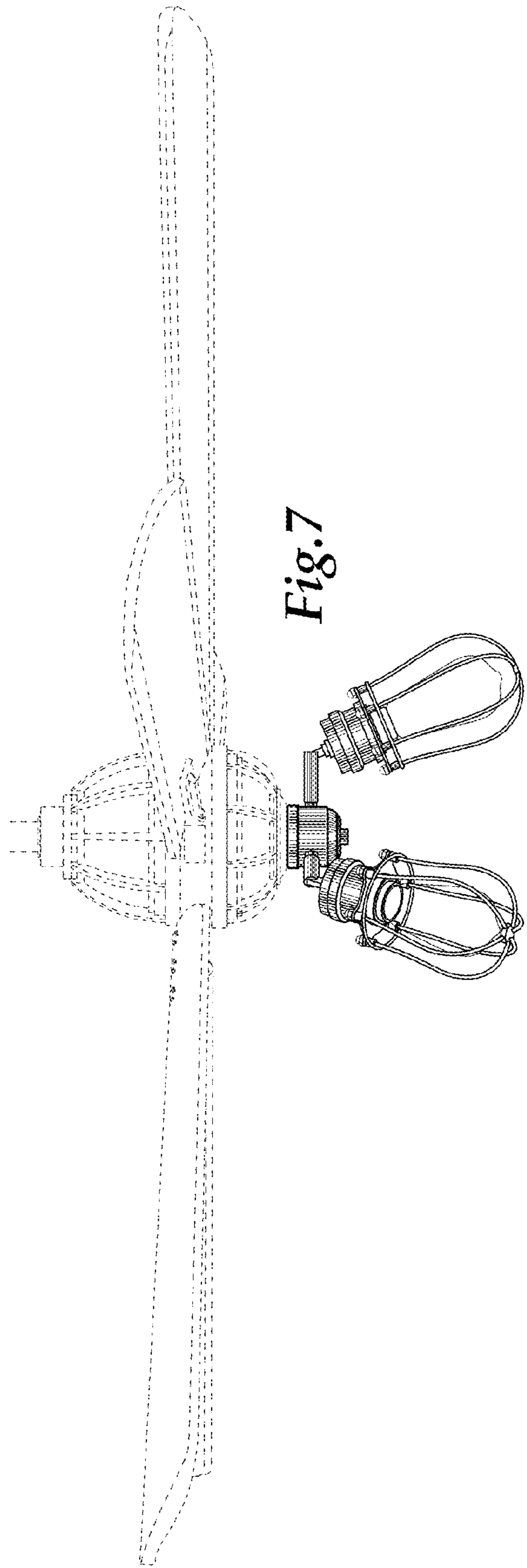


Fig. 7