



US00D876697S

(12) **United States Design Patent** (10) **Patent No.:** **US D876,697 S**
McRoberts (45) **Date of Patent:** **** Feb. 25, 2020**

- (54) **CEILING FAN LIGHT KIT**
- (71) Applicant: **HUNTER FAN COMPANY**,
Memphis, TN (US)
- (72) Inventor: **Claire Bernice McRoberts**, Memphis,
TN (US)
- (73) Assignee: **Hunter Fan Company**, Memphis, TN
(US)
- (**) Term: **15 Years**
- (21) Appl. No.: **29/625,915**
- (22) Filed: **Nov. 14, 2017**

- D428,982 S 8/2000 Oldenburg
- D435,901 S 1/2001 Tsuji
- D435,902 S 1/2001 Huang
- D437,046 S 1/2001 Tsuji
- D440,649 S 4/2001 Tsuji
- D454,632 S 3/2002 Huang
- D480,134 S 9/2003 Wilson
- D481,117 S 10/2003 Tsuji

(Continued)

OTHER PUBLICATIONS

<http://www.homedepot.com/p/Hampton-Bay-Havenville-52-in-Berre-Walnut-Ceiling-Fan-14951/203136411>, Item Specification for Hampton Bay Havenville 52in Berre Walnut Ceiling Fan Model 14951, accessed on Oct. 27, 2016.

(Continued)

Primary Examiner — Janice Hallmark

(74) *Attorney, Agent, or Firm* — McGarry Bair PC

Related U.S. Application Data

- (62) Division of application No. 29/582,629, filed on Oct. 28, 2016, now Pat. No. Des. 811,574.
- (51) **LOC (12) Cl.** **26-05**
- (52) **U.S. Cl.**
USPC **D26/59; D26/87**
- (58) **Field of Classification Search**
USPC ... D26/59, 24, 118, 119, 121–124, 128–137;
D23/370, 377–382, 411–414
CPC F04D 25/088; F04D 29/38; F21V 21/03;
B63H 1/16
See application file for complete search history.

(57) **CLAIM**

The ornamental design for a ceiling fan light kit, as shown and described.

DESCRIPTION

FIG. 1 is a bottom perspective view of a ceiling fan light kit showing our new design in the environment of a ceiling fan; FIG. 2 is a top perspective view thereof; FIG. 3 is a bottom view thereof; FIG. 4 is a top view thereof; and FIG. 5 is a right side view thereof; and FIG. 6 is a rear side view thereof; FIG. 7 is a left side view thereof; and, FIG. 8 is a front side view thereof.

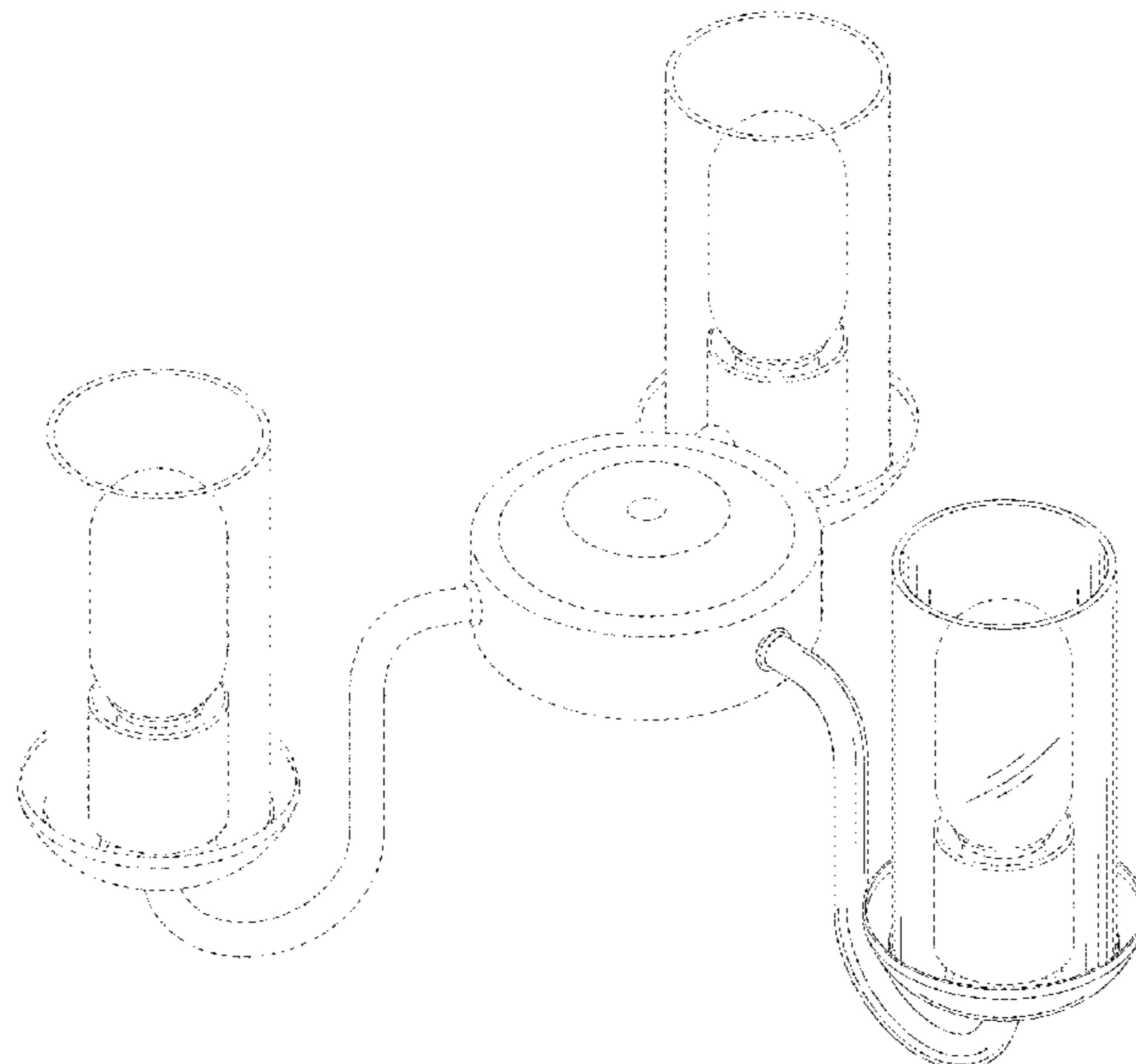
The broken lines showing a ceiling fan in FIG. 1 illustrate environmental subject matter only and form no part of the claimed design. All other broken lines depict portions of the ceiling fan light kit that form no part of the claimed design.

1 Claim, 8 Drawing Sheets

(56) **References Cited**

U.S. PATENT DOCUMENTS

- D83,940 S * 4/1931 Aglow D26/81
- D270,757 S 9/1983 Dennis
- D315,946 S 4/1991 Hollbrook
- D364,224 S 11/1995 Wang
- D392,035 S 3/1998 Gee, II
- D394,103 S 5/1998 Lee
- D405,172 S 2/1999 LaSpina
- D408,523 S 4/1999 Thomas
- D424,679 S 5/2000 LaSpina



(56)

References Cited

U.S. PATENT DOCUMENTS

D483,463	S	12/2003	Tai	
D483,465	S	12/2003	Tai	
D483,855	S	12/2003	Stauffer	
D486,215	S	2/2004	Hsieh	
D499,478	S	12/2004	Thomas, Jr.	
D526,078	S	8/2006	Holmes	
D526,733	S	8/2006	Ertze	
D533,955	S	12/2006	Pan	
D536,466	S	2/2007	Pan	
D559,970	S	1/2008	Frampton	
D575,444	S *	8/2008	Lissoni	D26/137
D613,890	S *	4/2010	Chen	D26/59
D627,046	S	11/2010	Wang	
D627,049	S	11/2010	Glasbrenner	
D632,382	S	2/2011	Pan	
D671,202	S	11/2012	Searle	
D671,631	S	11/2012	Searle	
D688,828	S *	8/2013	Orozco	D26/137
D714,925	S	10/2014	Pan	
D811,574	S *	2/2018	McRoberts	D23/377
D818,631	S *	5/2018	Zhang	D26/110
D845,535	S *	4/2019	Van Duysen	D26/87
D845,536	S *	4/2019	Van Duysen	D26/87
D851,318	S *	6/2019	Amato	D26/87
2011/0286204	A1	11/2011	Lord	

OTHER PUBLICATIONS

<http://www.hunterfan.com/Ceiling-Fans/Altitude?ModelNumber=59015>, Item Specification for Hunter Fan Altitude—52in Ceiling Fan Model 59015, accessed on Oct. 27, 2016.

<http://www.menards.com/main/lighting-ceiling-fans/ceiling-fans/shop-all-ceiling-fans/turn-of-the-century-somerville-52in-oil-rubbed-bronze-ceiling-fan/p-1444438422983-c-7488.htm?tid=>

6371324041319451390, Item Specification for Turn of the Century Somerville 52in Oil-Rubbed Bronze Transitional Ceiling Fan, accessed on Oct. 27, 2016.

<http://www.menards.com/main/lighting-ceiling-fans/ceiling-fans/shop-all-ceiling-fans/turn-of-the-century-yellowstone-56in-aged-walnut-ceiling-fan/p-1444438418412-c-7488.htm?tid=> 6371324041319451390, Item Specification for Turn of the Century Yellowstone 56in Aged Walnut Rustic and Lodge Ceiling Fan, accessed on Oct. 27, 2016.

<http://www.kichler.com/products/product/52-inch-sutter-place-premier-fan-obb-339400obb.aspx>, Item Specification for Kichler Sutter Place Premier Collection 52in Ceiling Fan Model 339400OBB, accessed on Oct. 27, 2016.

<http://www.quoruminternational.com/index.cfm/app/productDetail?product=79525-44>, Item Specification for Quorum International 79525-44 Ceiling Fan, accessed on Oct. 27, 2016.

<http://www.quoruminternational.com/index.cfm/app/productDetail?product=43306-95>, Item Specification for Quorum International 43306-95 Ceiling Fan, accessed on Oct. 27, 2016.

<http://www.kichler.com/products/product/52-inch-lyndon-fan-oz-300120oz.aspx>, Item Specification for Kichler 52in Lyndon Fan OZ Model 300120OZ, accessed on Oct. 27, 2016.

<http://www.hunterfan.com/Ceiling-Fans/Adirondack?ModelNumber=59006>, Item Specification for Hunter Fan Adirondack 52in Ceiling Fan Model 59006, accessed on Oct. 27, 2016.

<http://kingoffans.com/#/products/ceilingFans>, Item Specification for King of Fans Cameron II Ceiling Fan, accessed on Oct. 27, 2016.

http://www.cens.com/cens/html/en/product/product_main_77127.html, Item Specification for Air Cool Industrial Co. Jupiter-Champagne Lights Series Ceiling Fan Model YG075, accessed on Oct. 27, 2016.

http://www.cens.com/cens/html/en/product/product_main_77126.html, Item Specification for Air Cool Industrial Co. Lyra-Champagne Lights Series Ceiling Fan Model CE1009, accessed on Oct. 27, 2016.

* cited by examiner

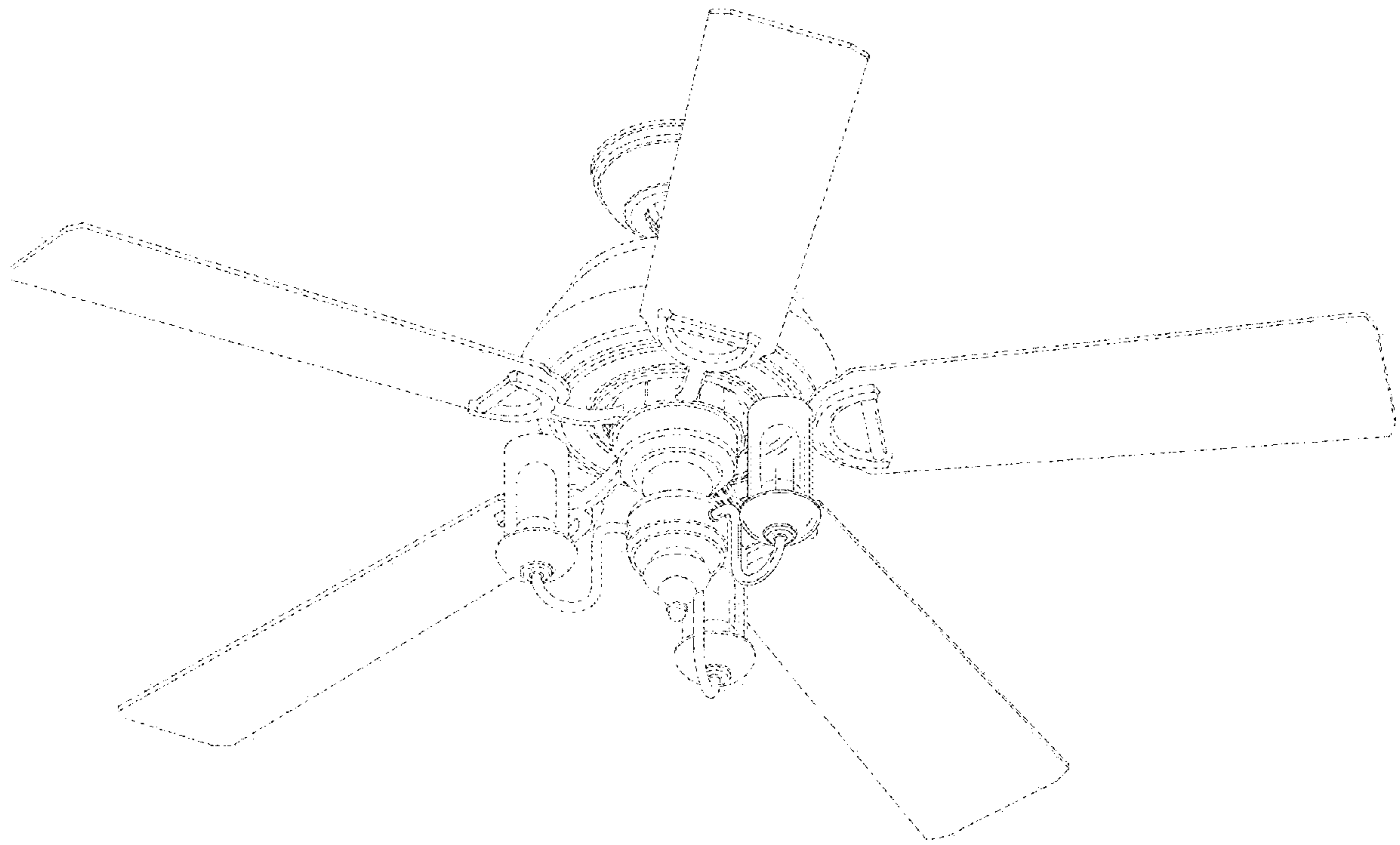


FIG.1

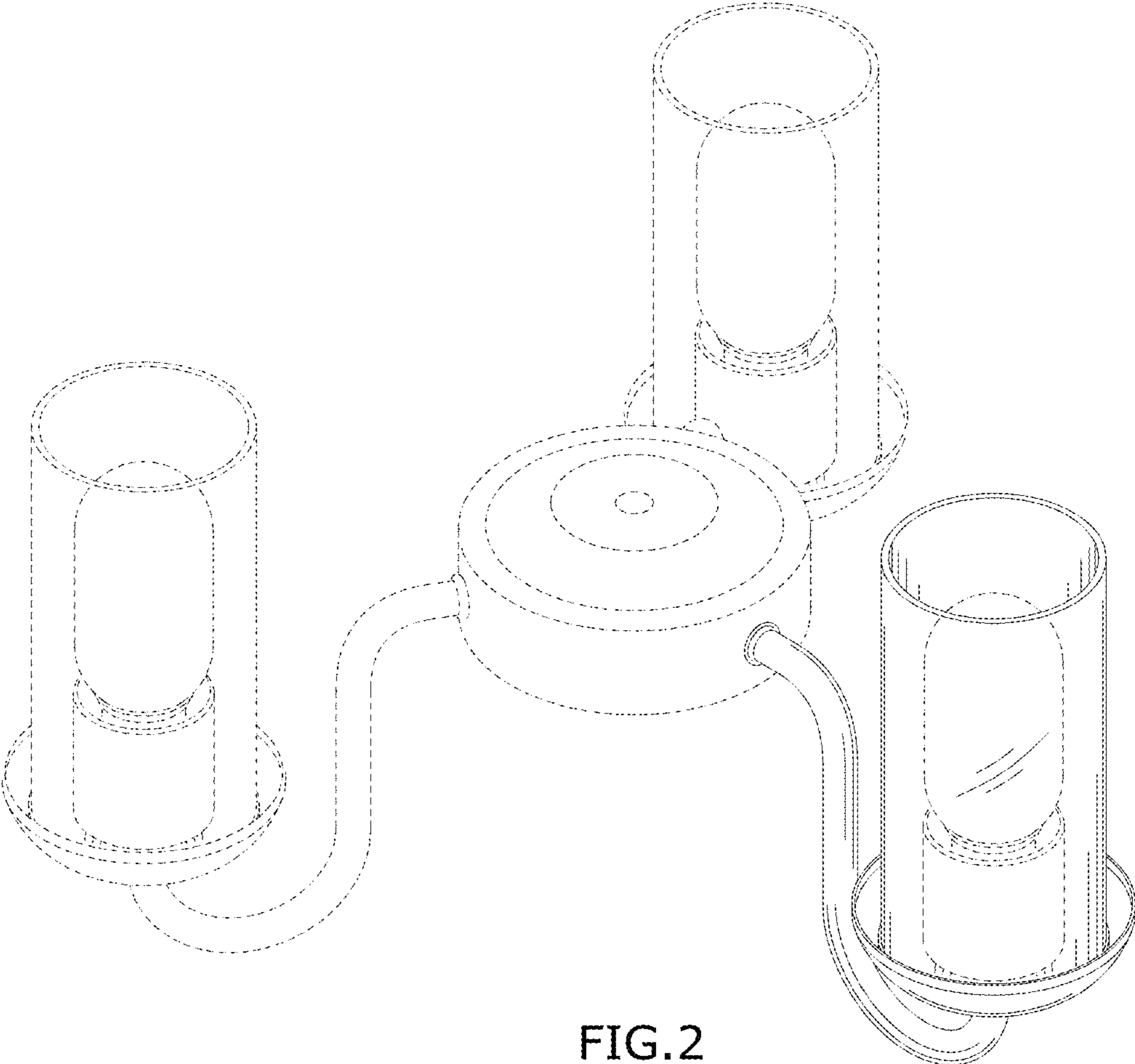


FIG. 2

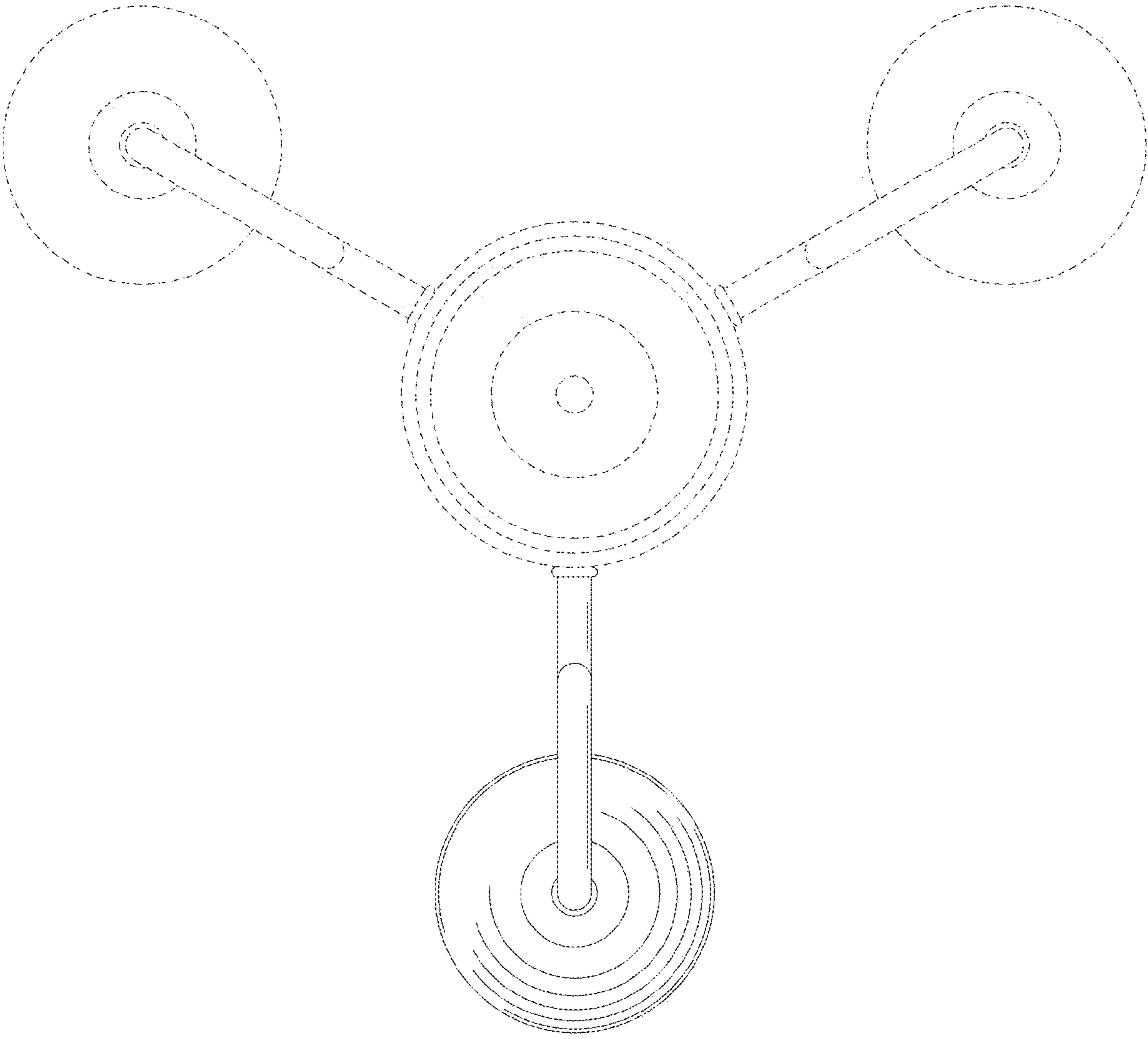


FIG.3

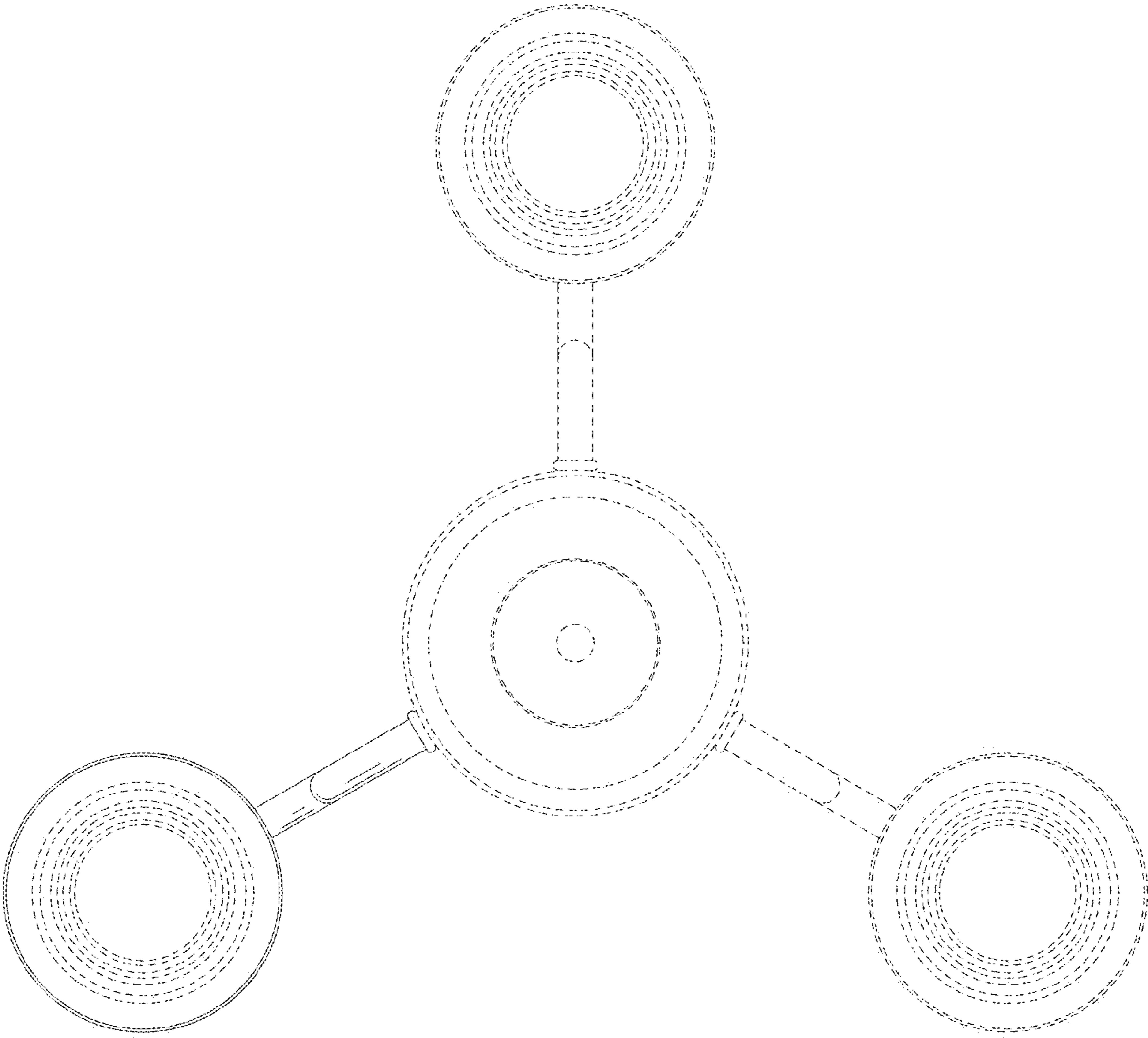


FIG.4

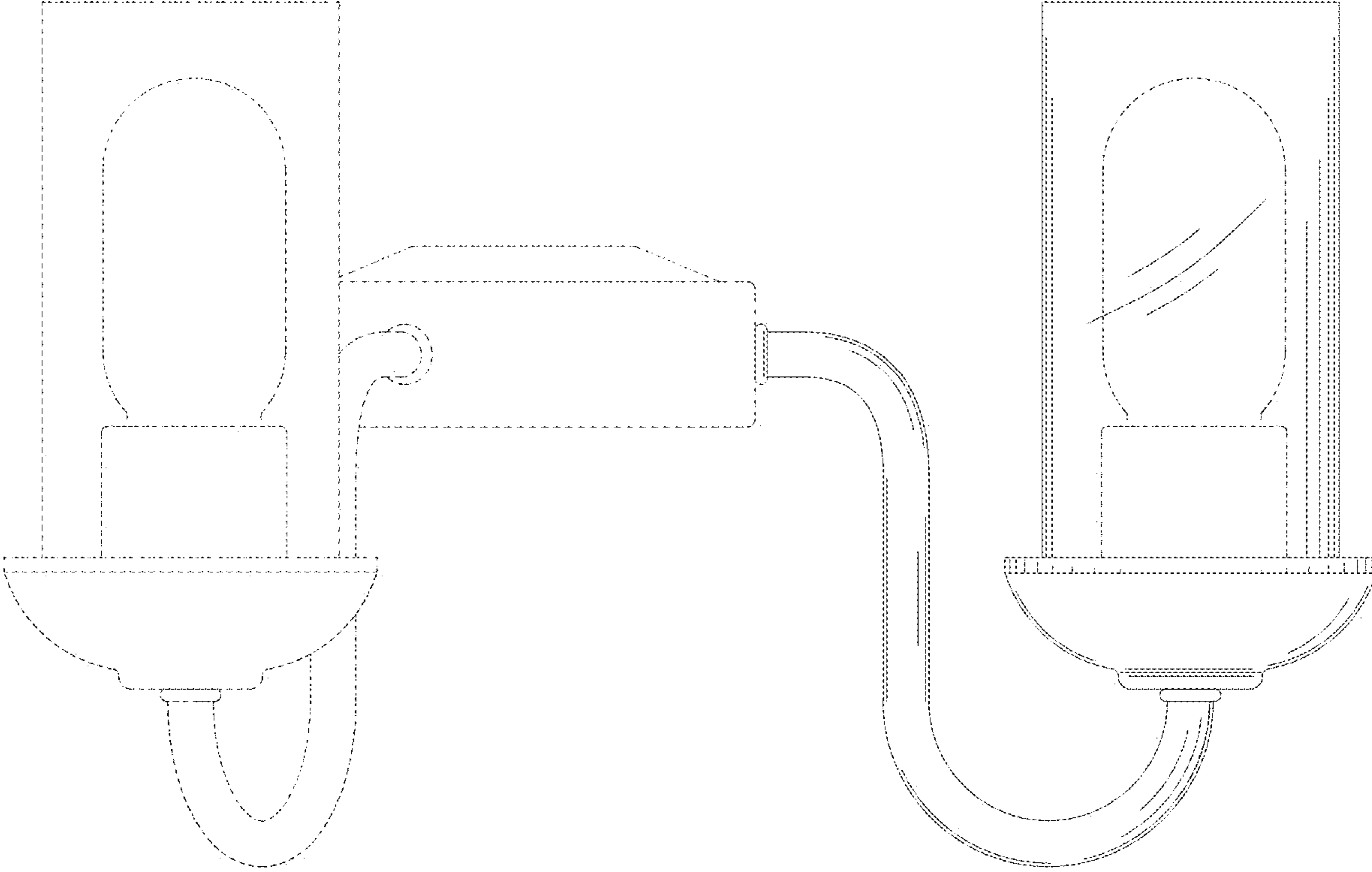


FIG. 5

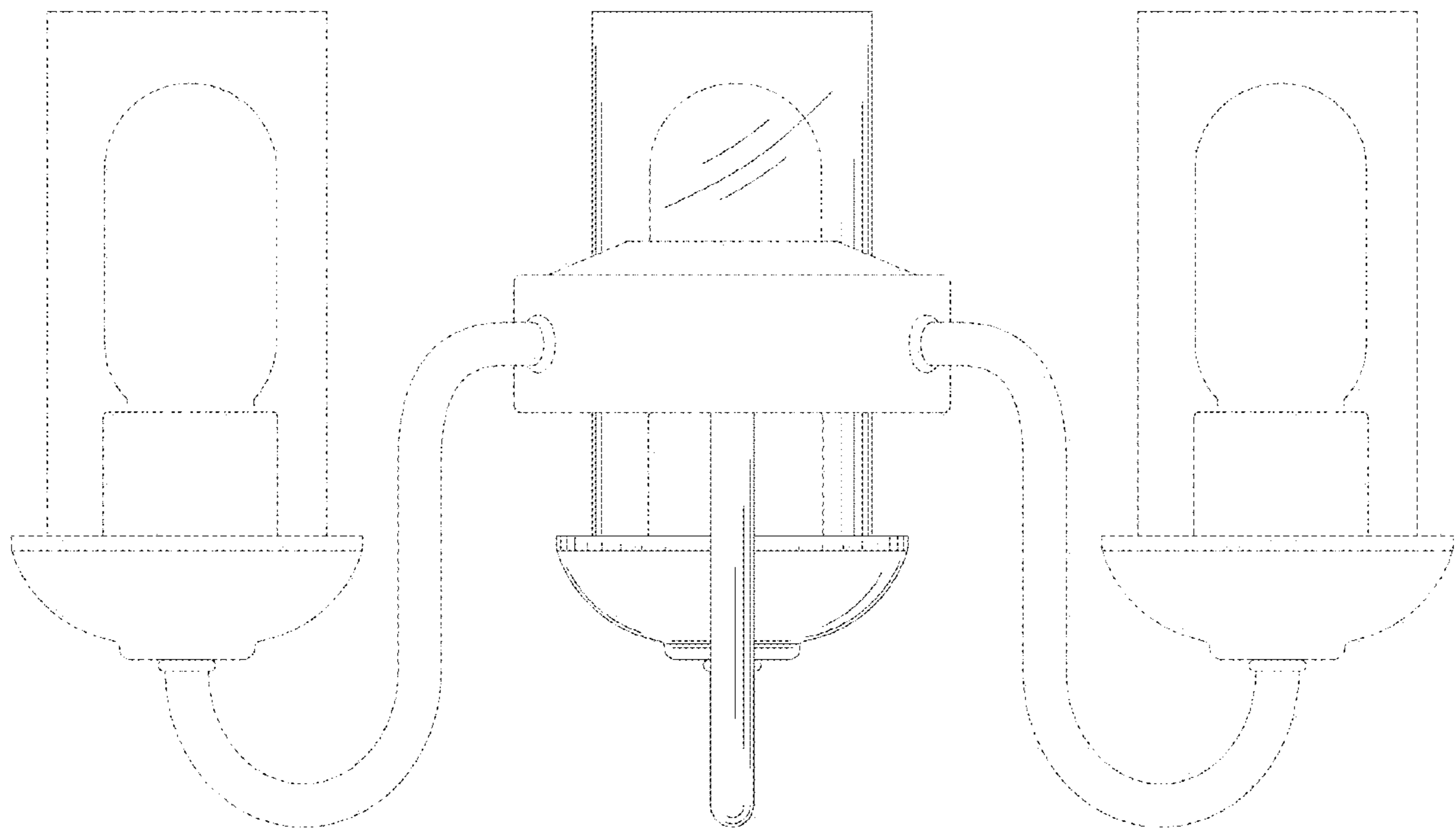


FIG. 6

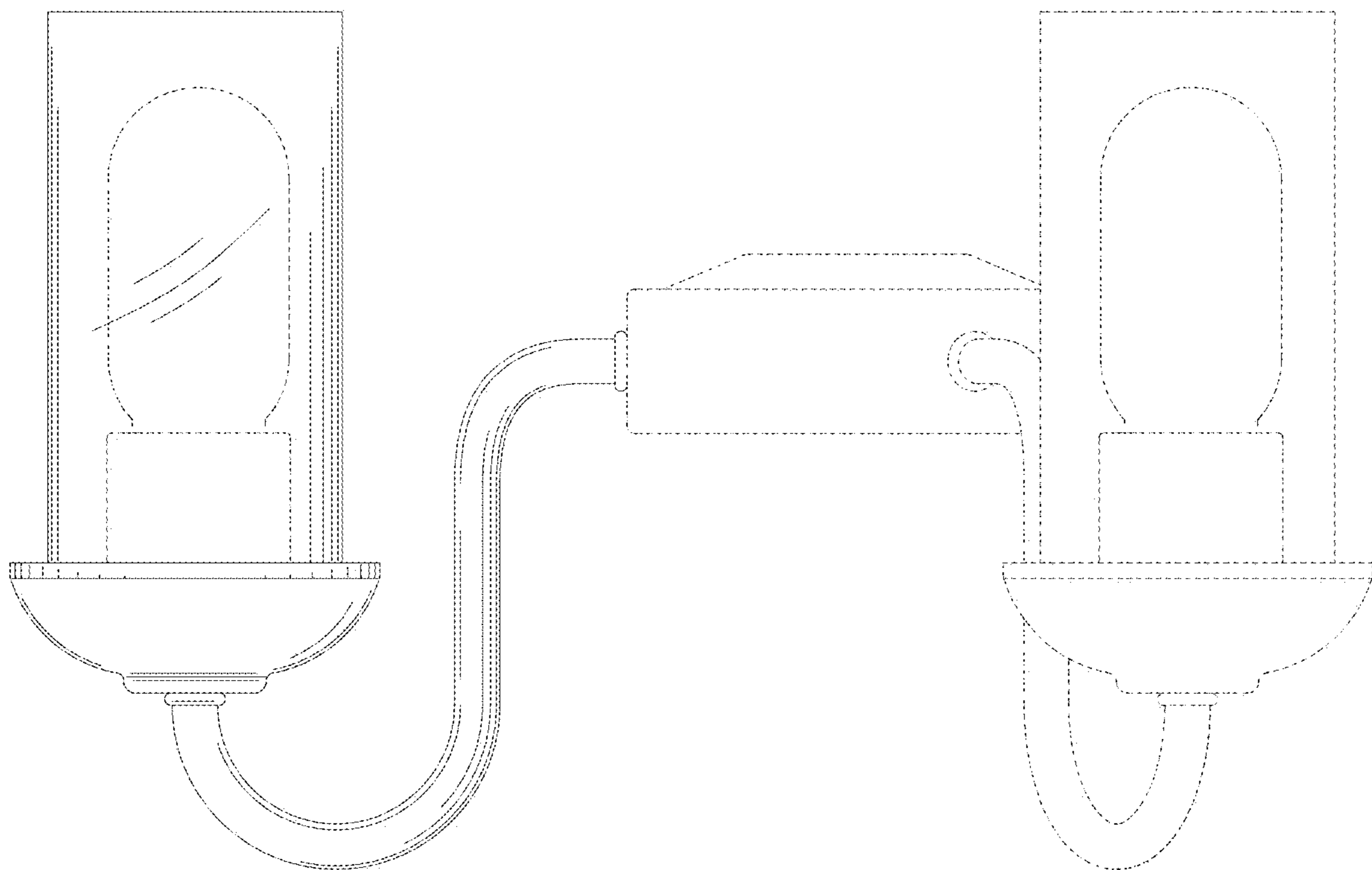


FIG. 7

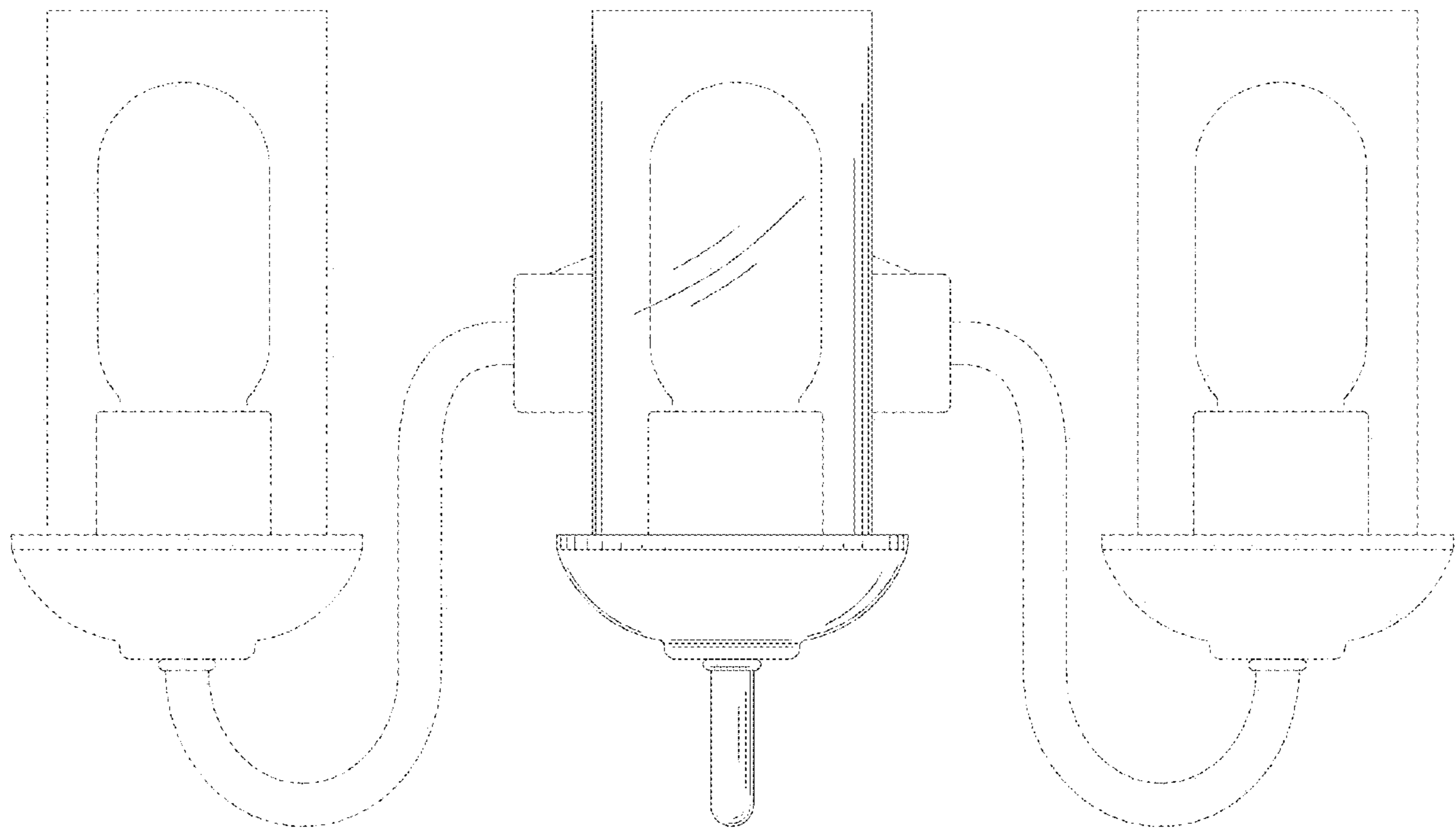


FIG. 8