



US00D876695S

(12) **United States Design Patent** (10) **Patent No.:** **US D876,695 S**
Hine (45) **Date of Patent:** **** Feb. 25, 2020**

(54) **LIGHTING DEVICE**

(71) Applicant: **Energizer Brands, LLC**, St. Louis, MO (US)

(72) Inventor: **David Jonathan Hine**, Skaneateles, NY (US)

(73) Assignee: **Energizer Brands, LLC**, St. Louis, MO (US)

(**) Term: **15 Years**

(21) Appl. No.: **29/659,401**

(22) Filed: **Aug. 8, 2018**

(51) **LOC (12) Cl.** **26-02**

(52) **U.S. Cl.**
USPC **D26/39**

(58) **Field of Classification Search**

USPC D26/1, 24, 25, 43, 60, 110, 113, 28, 37, D26/61, 85, 102, 138-140; 362/249.14, 362/311.02, 311.13

CPC F21S 4/00; F21S 4/10; F21S 4/15; F21S 4/26; F21S 2/00; F21V 11/02; F21V 11/06; F21V 17/10; F21V 17/16; F21V 21/0296; F21V 21/0054; F21V 21/008; F21V 21/00; F21V 21/08; F21V 23/00; F21V 23/04; F21V 33/00; F21W 2121/00; F21W 2121/04; F21Y 2115/10; F21L 4/00; F21L 4/02; F21L 4/04; F21L 4/08

See application file for complete search history.

(56) **References Cited**

U.S. PATENT DOCUMENTS

D426,330 S	6/2000	Cramer	
D470,615 S	2/2003	Janice et al.	
D472,998 S	4/2003	Paris et al.	
D488,140 S *	4/2004	Hanselman D14/129
D492,052 S	6/2004	Schnell	
D506,846 S	6/2005	Kang et al.	

D547,475 S	7/2007	Xu
D552,278 S	10/2007	Spartano et al.
D560,009 S	1/2008	Spartano et al.
D560,298 S	1/2008	Spartano et al.
D566,310 S	4/2008	Alessio
D568,510 S	5/2008	Shiu
D573,736 S	7/2008	Poon
D575,888 S	8/2008	Shiu
D581,567 S	11/2008	Crawford et al.
D583,971 S	12/2008	Castellucci et al.
D590,531 S	4/2009	Ma
D590,975 S	4/2009	Ma

(Continued)

Primary Examiner — Abraham Bahta

(74) *Attorney, Agent, or Firm* — Alston & Bird LLP

(57) **CLAIM**

The ornamental design for a lighting device, as shown and described.

DESCRIPTION

FIG. 1 is a top front perspective view of a lighting device with a connected strap according to one exemplary embodiment of the present design.

FIG. 2 is a bottom rear perspective view of the lighting device with the connected strap of FIG. 1.

FIG. 3 is a top front perspective view of the lighting device of FIG. 1.

FIG. 4 is a bottom rear perspective view of the lighting device of FIG. 1.

FIG. 5 a front view the lighting device of FIG. 1.

FIG. 6 is a back view of the lighting device of FIG. 1.

FIG. 7 is a left side view of the lighting device of FIG. 1.

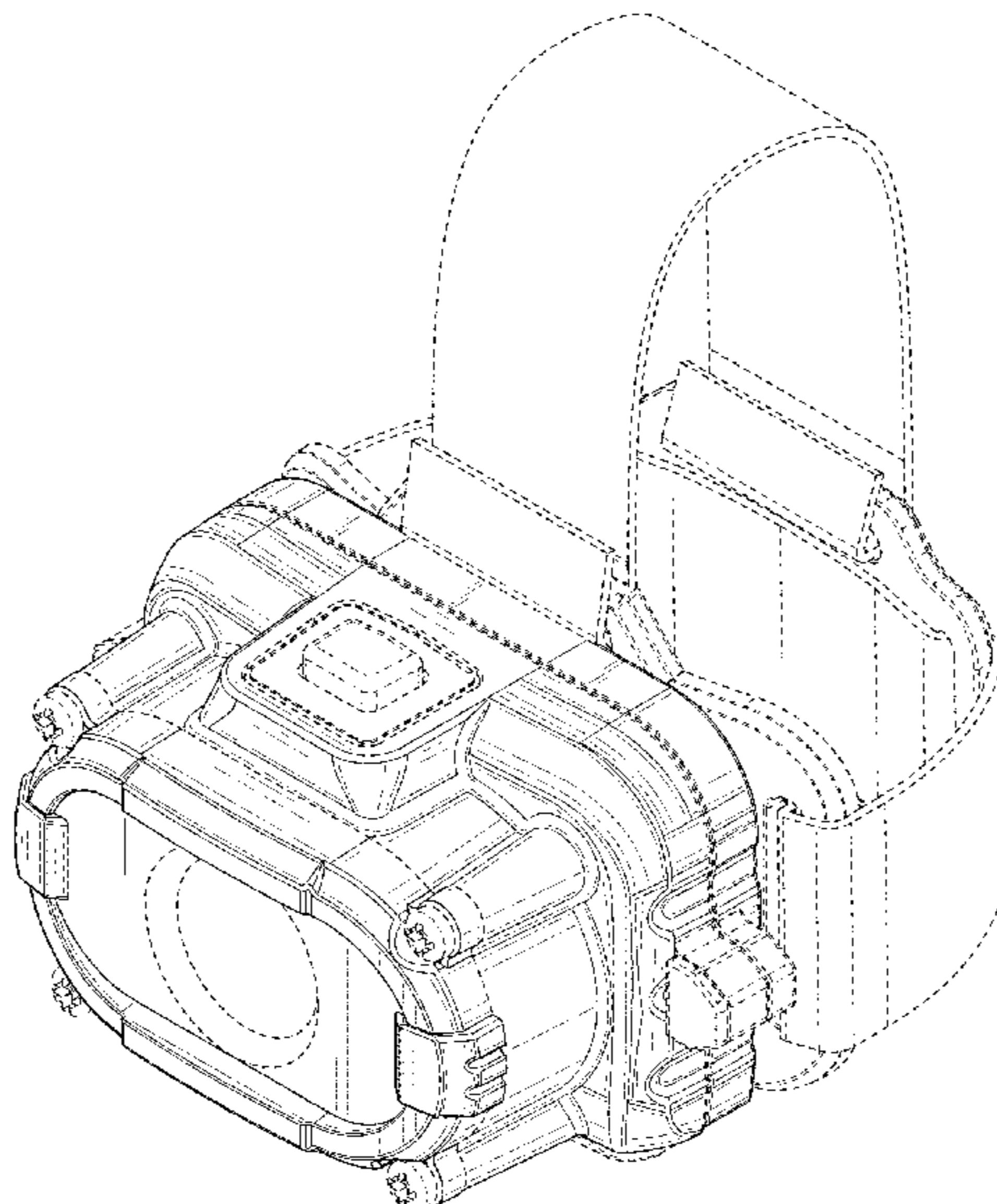
FIG. 8 is a right side view of the lighting device of FIG. 1.

FIG. 9 is a top view of the lighting device of FIG. 1; and,

FIG. 10 is a bottom view of the lighting device of FIG. 1.

The broken lines shown are provided for the purpose of illustrating environmental structure and form no part of the claimed design.

1 Claim, 10 Drawing Sheets



(56)

References Cited

U.S. PATENT DOCUMENTS

D592,782 S	5/2009	Hine et al.	D736,980 S	8/2015	Petzl	
D596,770 S	7/2009	Hine et al.	D742,051 S	10/2015	Abernethy et al.	
D615,227 S	5/2010	Hine et al.	D743,597 S	11/2015	Abernethy et al.	
D620,160 S	7/2010	Kang et al.	D744,134 S	11/2015	Hine et al.	
D625,862 S	10/2010	Fitch et al.	D752,257 S	3/2016	Hine et al.	
D625,863 S	10/2010	Kingston et al.	D752,258 S	3/2016	Hine et al.	
D631,587 S	1/2011	Hine et al.	D752,259 S	3/2016	Hine et al.	
7,922,349 B2	4/2011	Hunnewell et al.	D752,260 S	3/2016	Hine et al.	
D648,468 S	11/2011	Gibson	D752,261 S	3/2016	Ma	
D651,732 S	1/2012	Hopkins	D752,790 S	3/2016	Hine et al.	
D658,323 S	4/2012	Freschl	D806,294 S *	12/2017	Nguyen	D26/37
D683,489 S	5/2013	Lee	D813,432 S	3/2018	Koshiba	
8,517,559 B1	8/2013	Freschl	D814,083 S	3/2018	Green	
D696,803 S	12/2013	Kingston et al.	D824,059 S	7/2018	Inskeep	
D702,863 S	4/2014	Kotsis	D830,601 S	10/2018	Petzl	
D703,355 S	4/2014	Kotsis	D830,602 S	10/2018	Melchior	
D707,867 S	6/2014	Kotsis et al.	D836,810 S	12/2018	DeBrunner	
D711,028 S	8/2014	Pritchett	D844,869 S	4/2019	Green	
D736,977 S	8/2015	Petzl	D845,526 S	4/2019	Windom et al.	
D736,978 S	8/2015	Petzl	D851,307 S	6/2019	Sharrah et al.	
D736,979 S	8/2015	Petzl	D861,212 S	9/2019	Windom et al.	
			D861,940 S	10/2019	Kunzendorf	
			2008/0025036 A1	1/2008	Takada et al.	

* cited by examiner

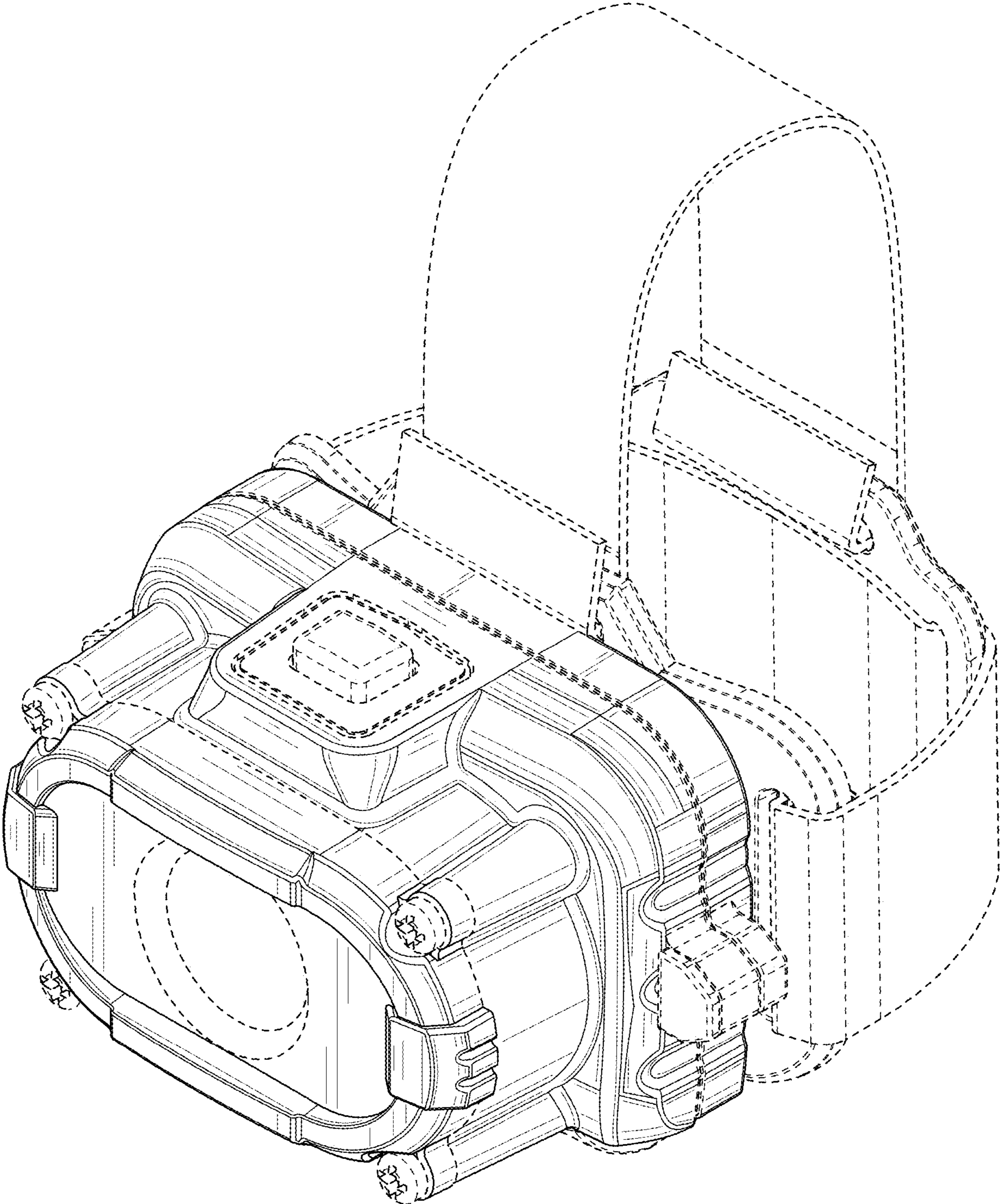


FIG. 1

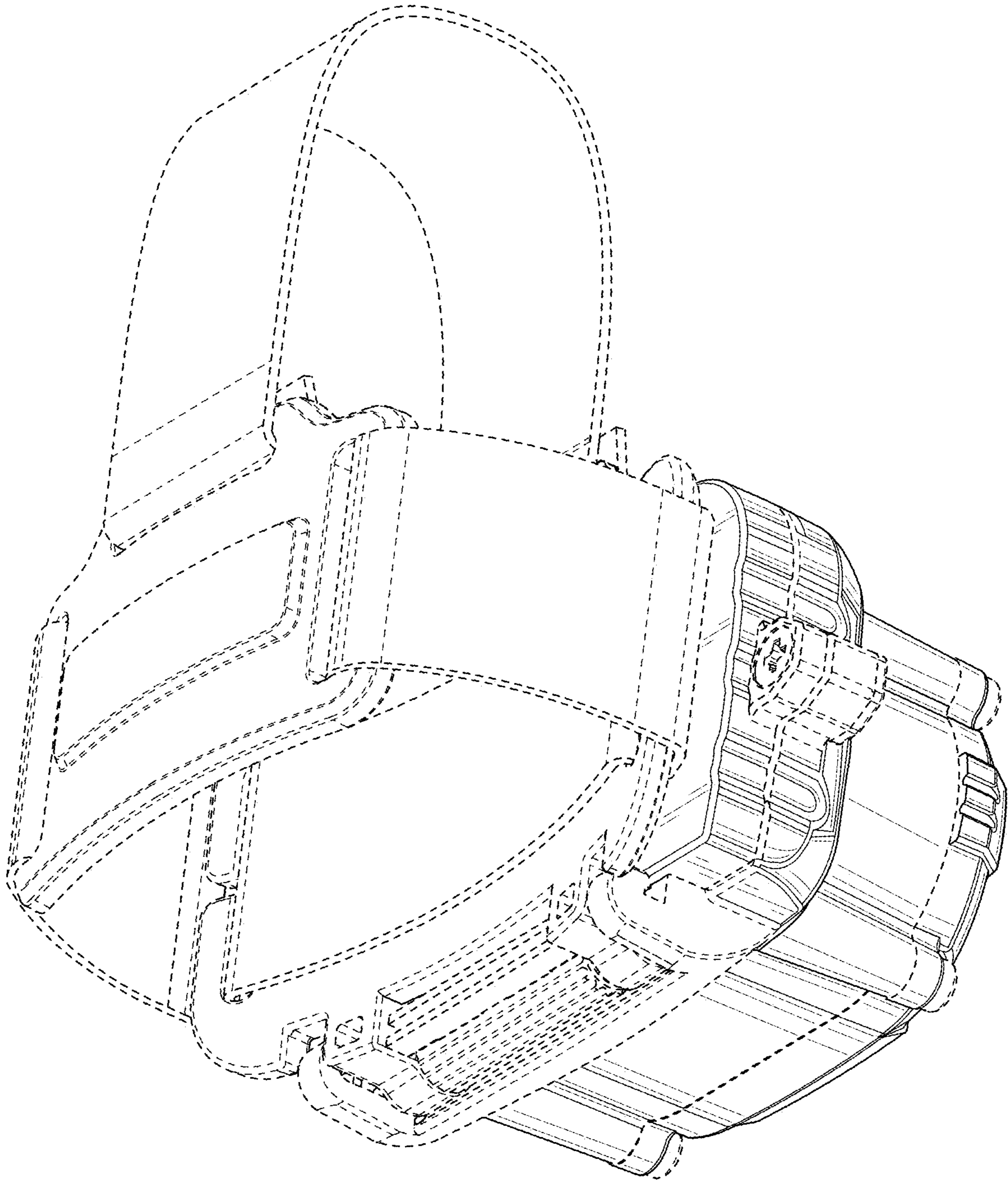


FIG. 2

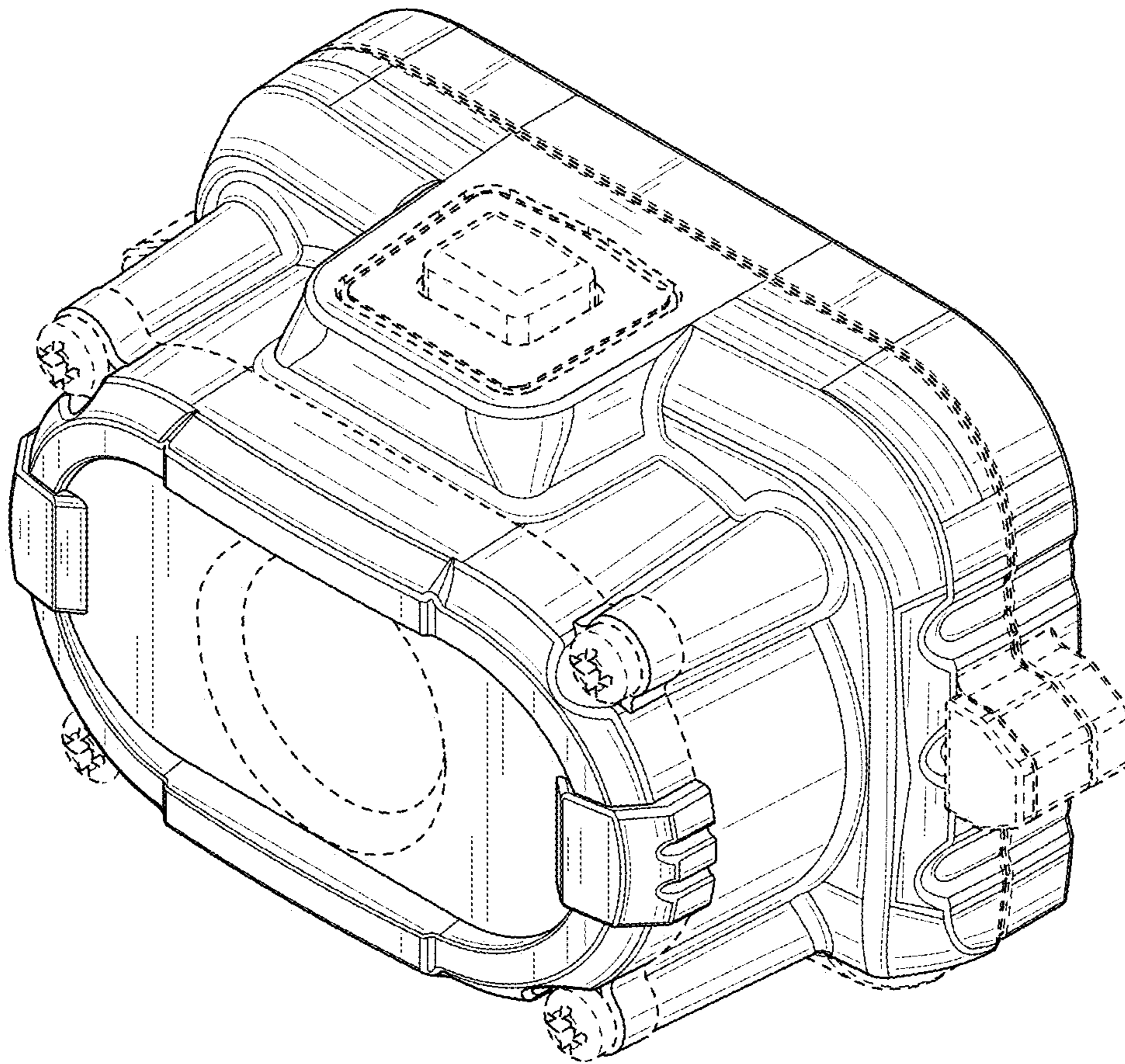


FIG. 3

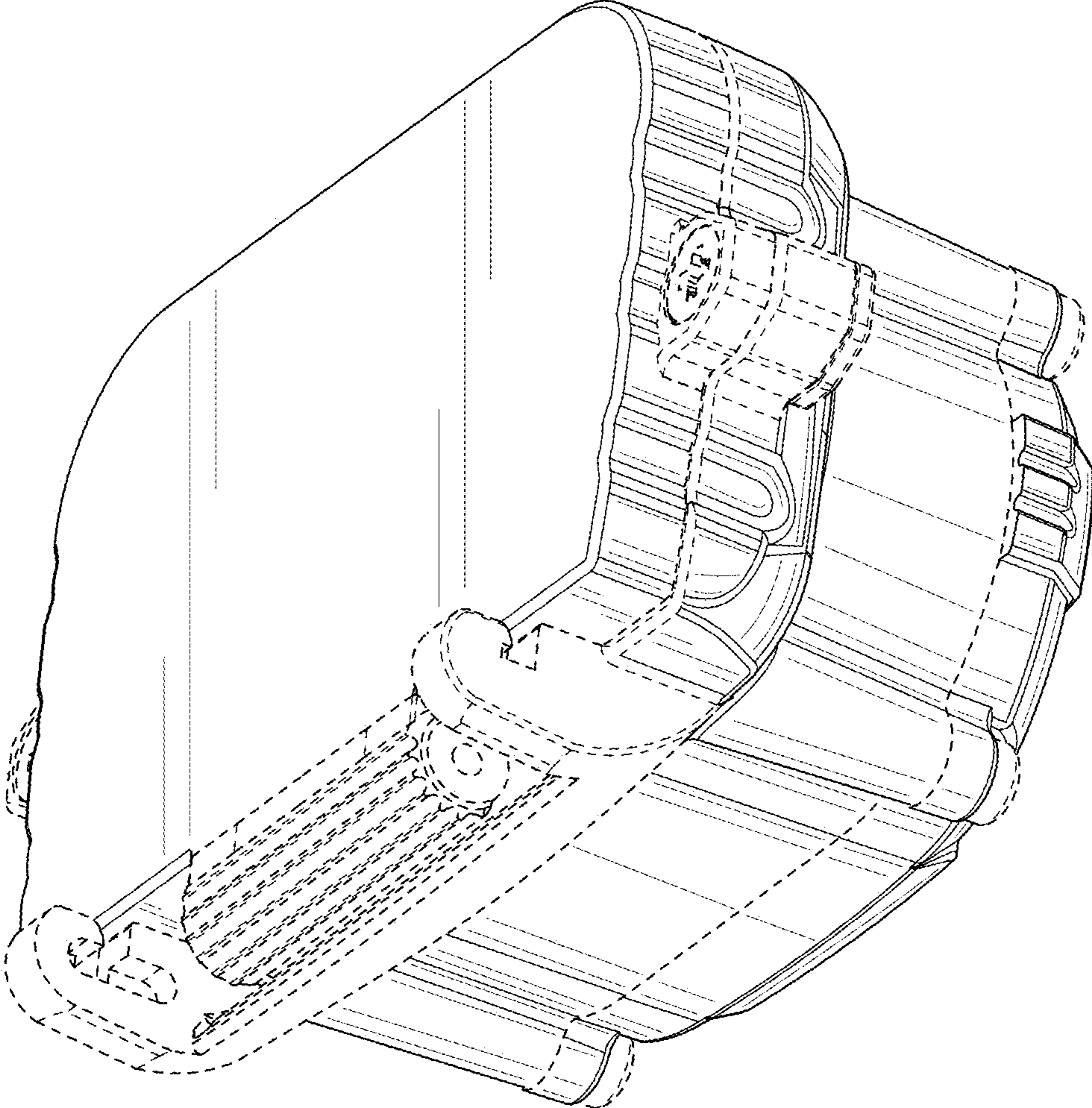


FIG. 4

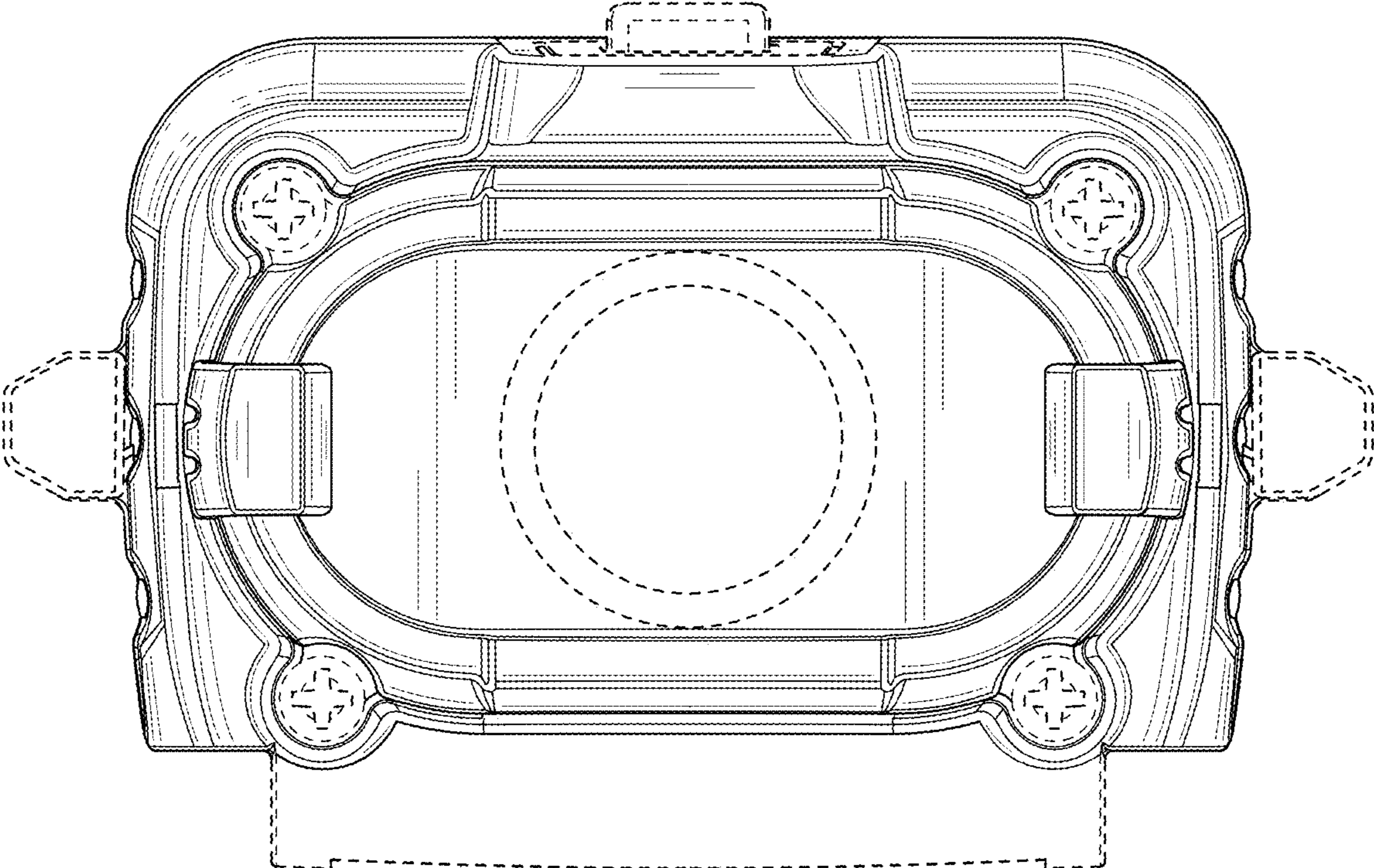


FIG. 5

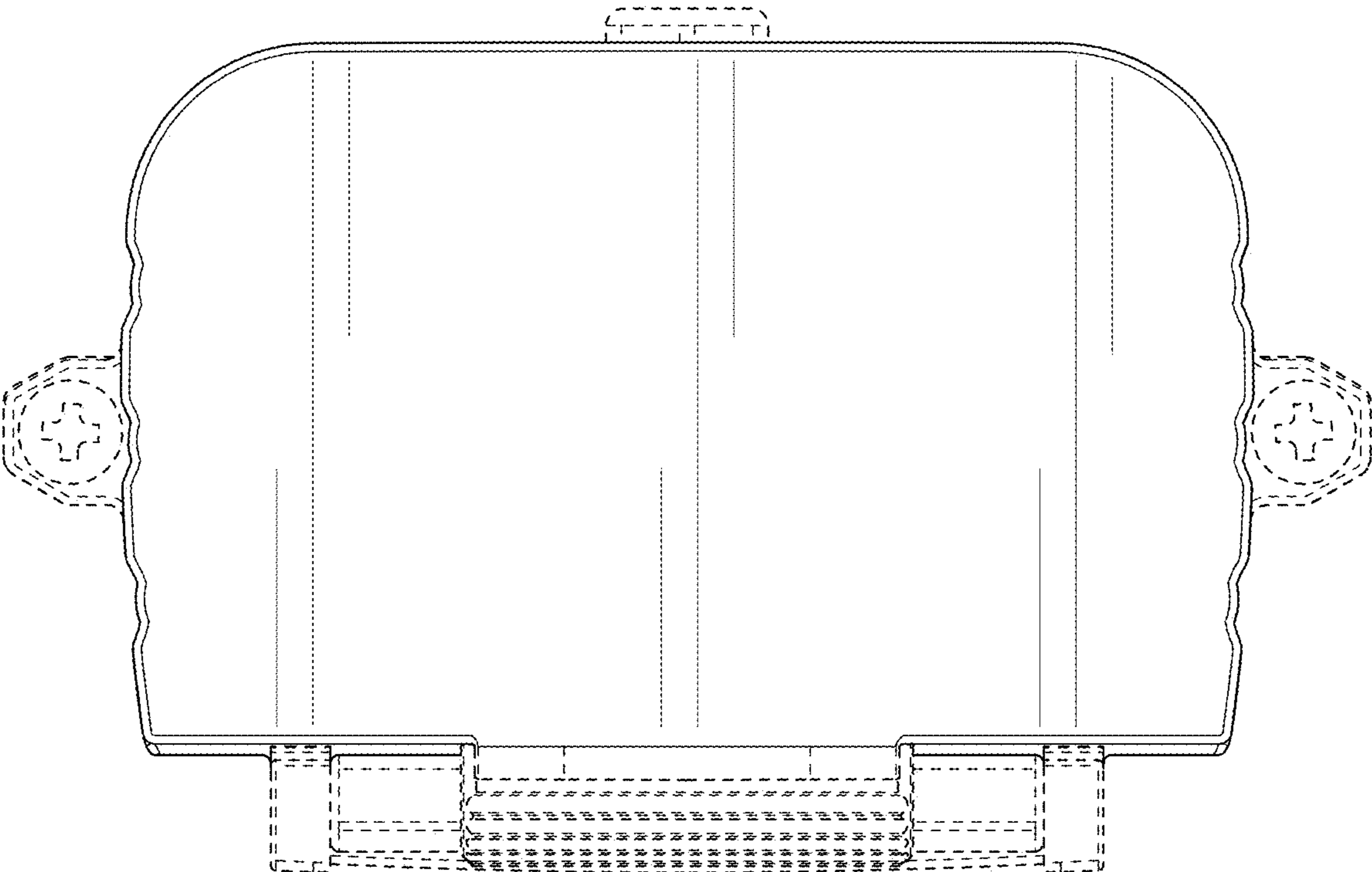


FIG. 6

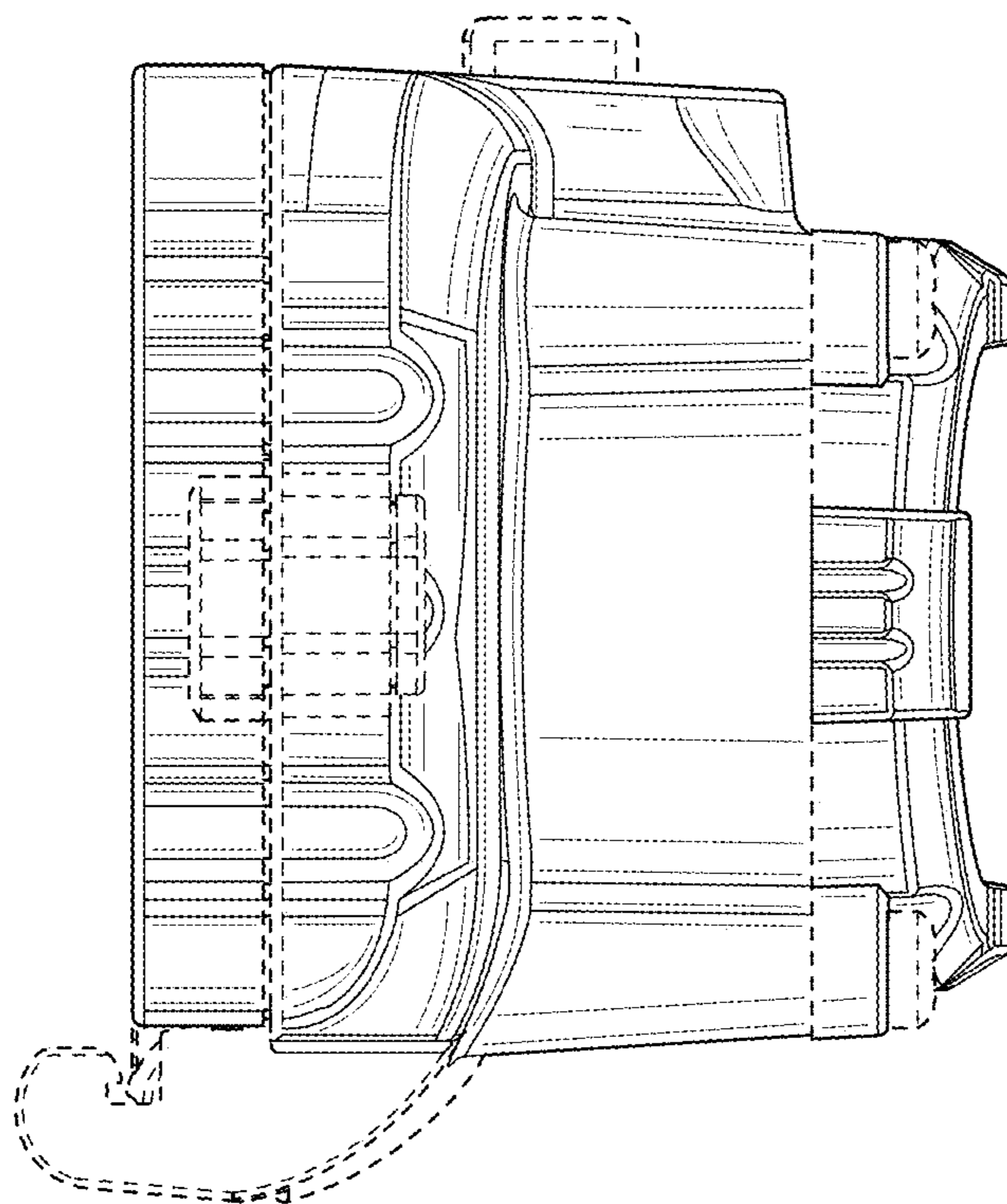


FIG. 7

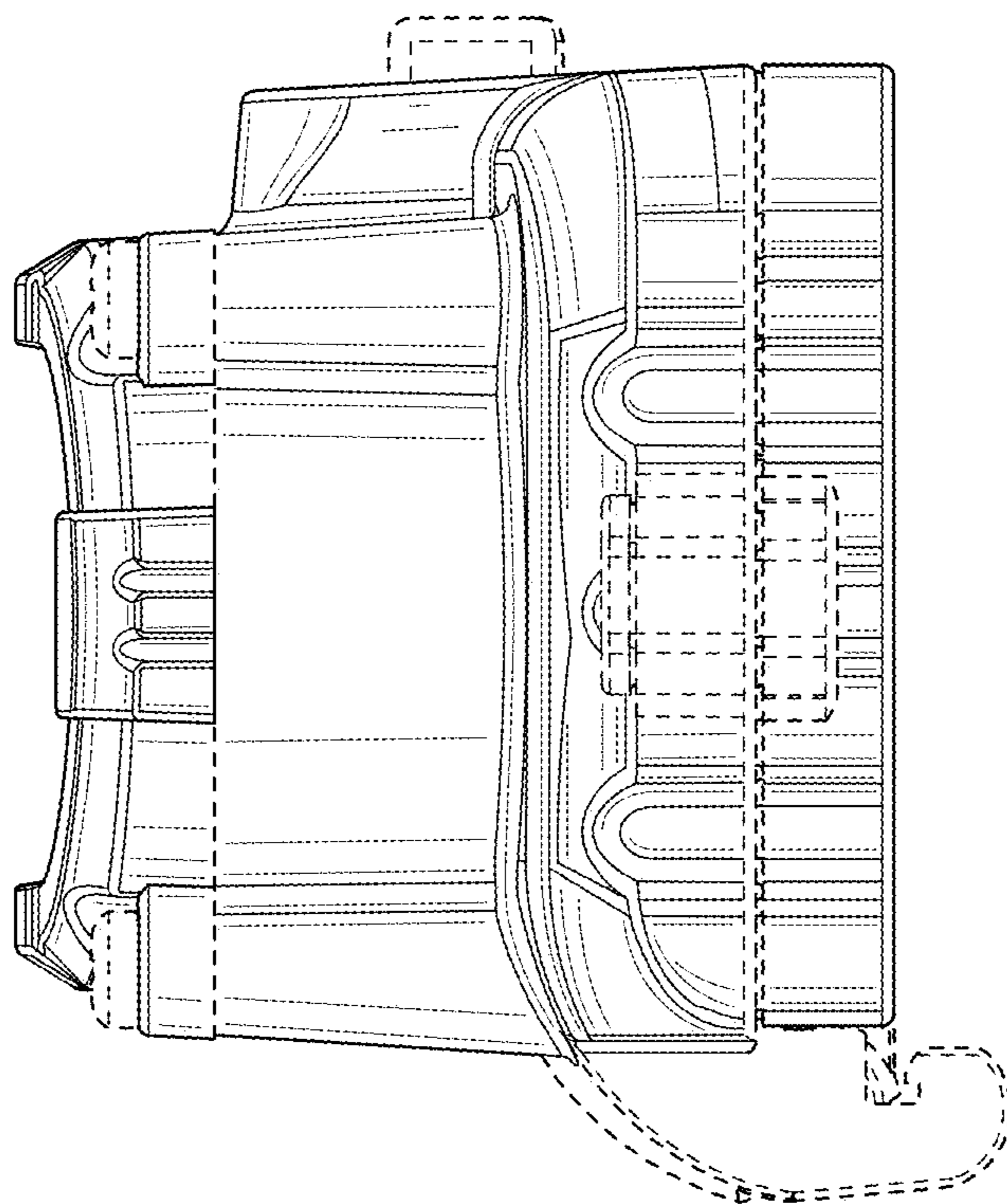


FIG. 8

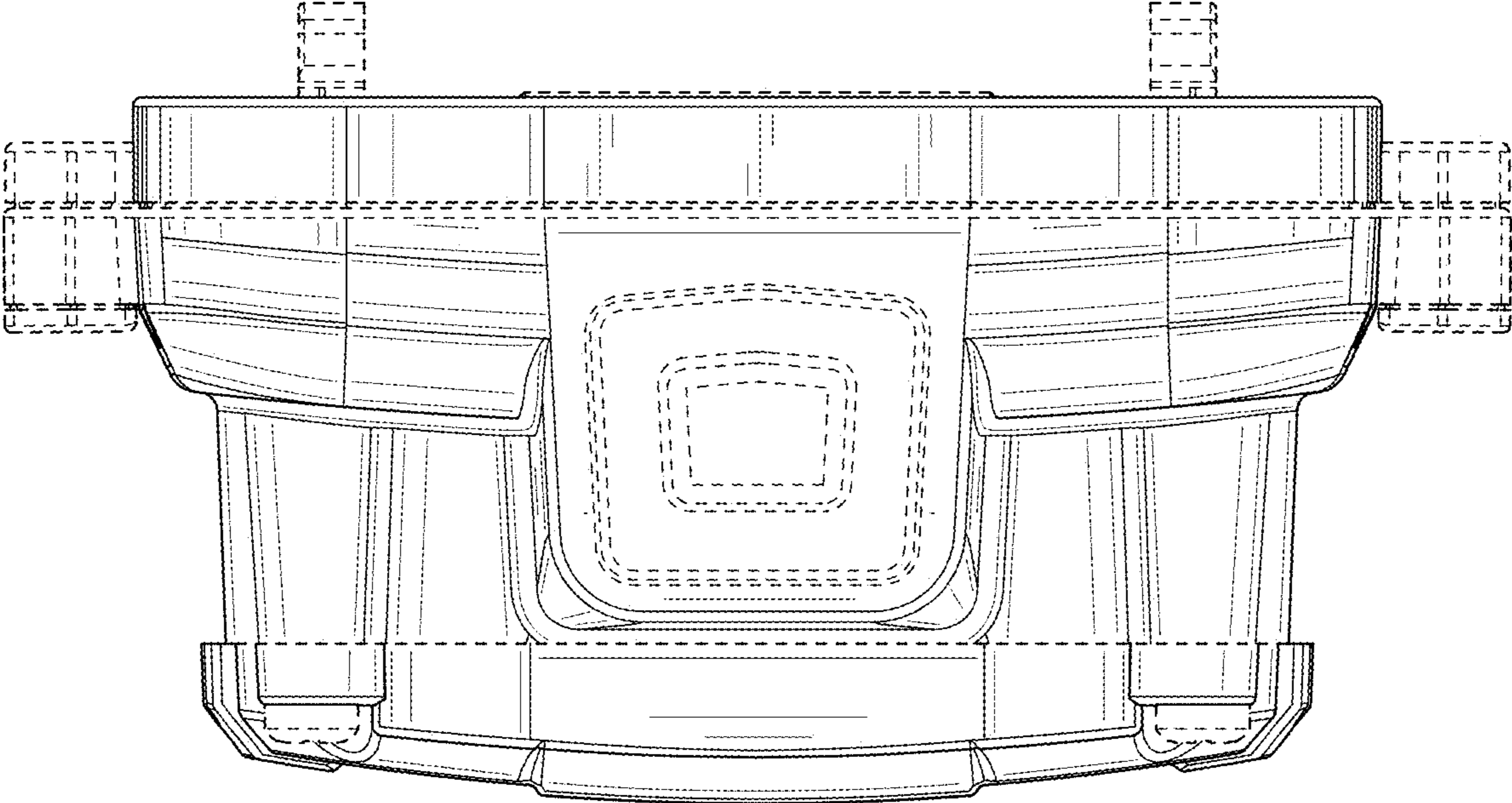


FIG. 9

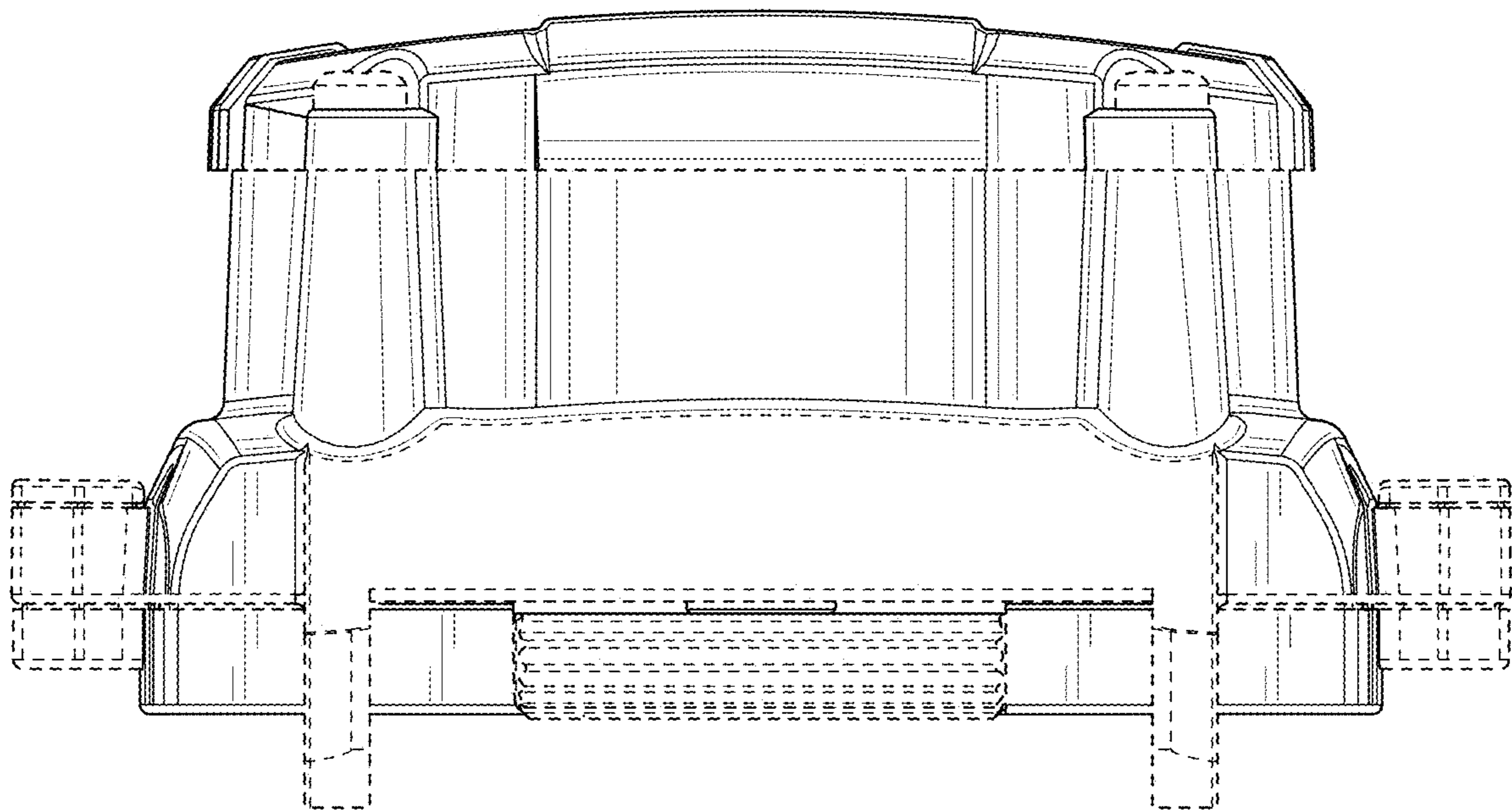


FIG. 10