



US00D876694S

(12) **United States Design Patent**  
**Inskeep et al.**

(10) **Patent No.:** **US D876,694 S**

(45) **Date of Patent:** **\*\* Feb. 25, 2020**

(54) **HEADLAMP**

(71) Applicant: **Vector Products, Inc.**, Boca Raton, FL (US)

(72) Inventors: **Mathew Inskeep**, Highland Beach, FL (US); **Ling To Shum**, Boca Raton, FL (US)

(73) Assignee: **VECTOR PRODUCTS, INC.**, Boca Raton, FL (US)

(\*\*) Term: **15 Years**

(21) Appl. No.: **29/647,615**

(22) Filed: **May 15, 2018**

(51) **LOC (12) Cl.** ..... **26-02**

(52) **U.S. Cl.**  
USPC ..... **D26/39**

(58) **Field of Classification Search**  
USPC ..... D26/37-51  
CPC ..... F21L 2003/00; F21L 4/00; F21L 4/005; F21L 4/02; F21L 4/025; F21L 4/027; F21L 4/04; F21L 4/08; F21L 2005/00; F21L 7/00; F21L 11/00; F21L 13/00; F21L 13/04; F21L 13/08; F21L 14/02; F21L 17/00; F21L 19/00; F21L 25/00  
See application file for complete search history.

(56) **References Cited**

U.S. PATENT DOCUMENTS

D712,579 S \* 9/2014 Cen ..... D26/39  
D724,248 S \* 3/2015 Brands ..... D26/39  
D742,050 S \* 10/2015 Inskeep ..... D26/39

D744,135 S \* 11/2015 Menjor ..... D26/39  
D750,823 S \* 3/2016 Sharrah ..... D26/39  
D752,261 S \* 3/2016 Ma ..... D26/39  
D756,552 S \* 5/2016 Kunzendorf ..... D26/39  
D796,098 S \* 8/2017 Grandadam ..... D26/39  
D813,432 S \* 3/2018 Koshiba ..... D26/39  
D843,037 S \* 3/2019 Li ..... D26/39  
D843,622 S \* 3/2019 Karl, IV ..... D26/39

\* cited by examiner

*Primary Examiner* — Lakiya G Rogers

*Assistant Examiner* — Carissa C Fitts

(74) *Attorney, Agent, or Firm* — Daniel S. Polley, P.A.

(57) **CLAIM**

We claim the ornamental design for a headlamp, as shown and described.

**DESCRIPTION**

FIG. 1 is a top perspective view of the headlamp, tilted off of the strap, showing my new design.

FIG. 2 is a bottom perspective view thereof.

FIG. 3 is a top, back perspective view with the headlamp tilted off of the strap.

FIG. 4 is a top view thereof.

FIG. 5 is a bottom view thereof.

FIG. 6 is a right side view thereof with the headlamp tilted off of the strap.

FIG. 7 is a left side view thereof.

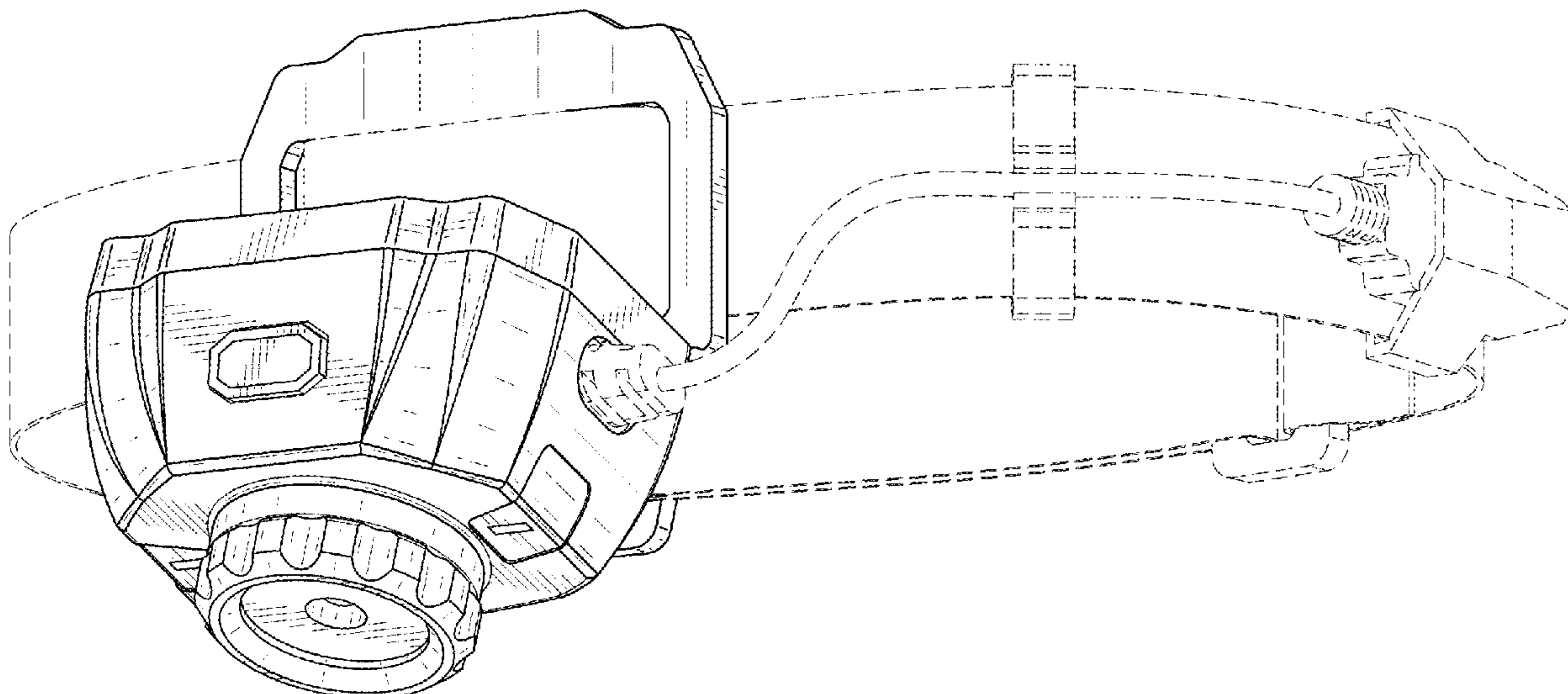
FIG. 8 is a front view thereof.

FIG. 9 is a back view thereof; and,

FIG. 10 is back view of the headlamp removed from the strap.

The broken lines show portions of the headlamp which form no part of the claimed design.

**1 Claim, 8 Drawing Sheets**



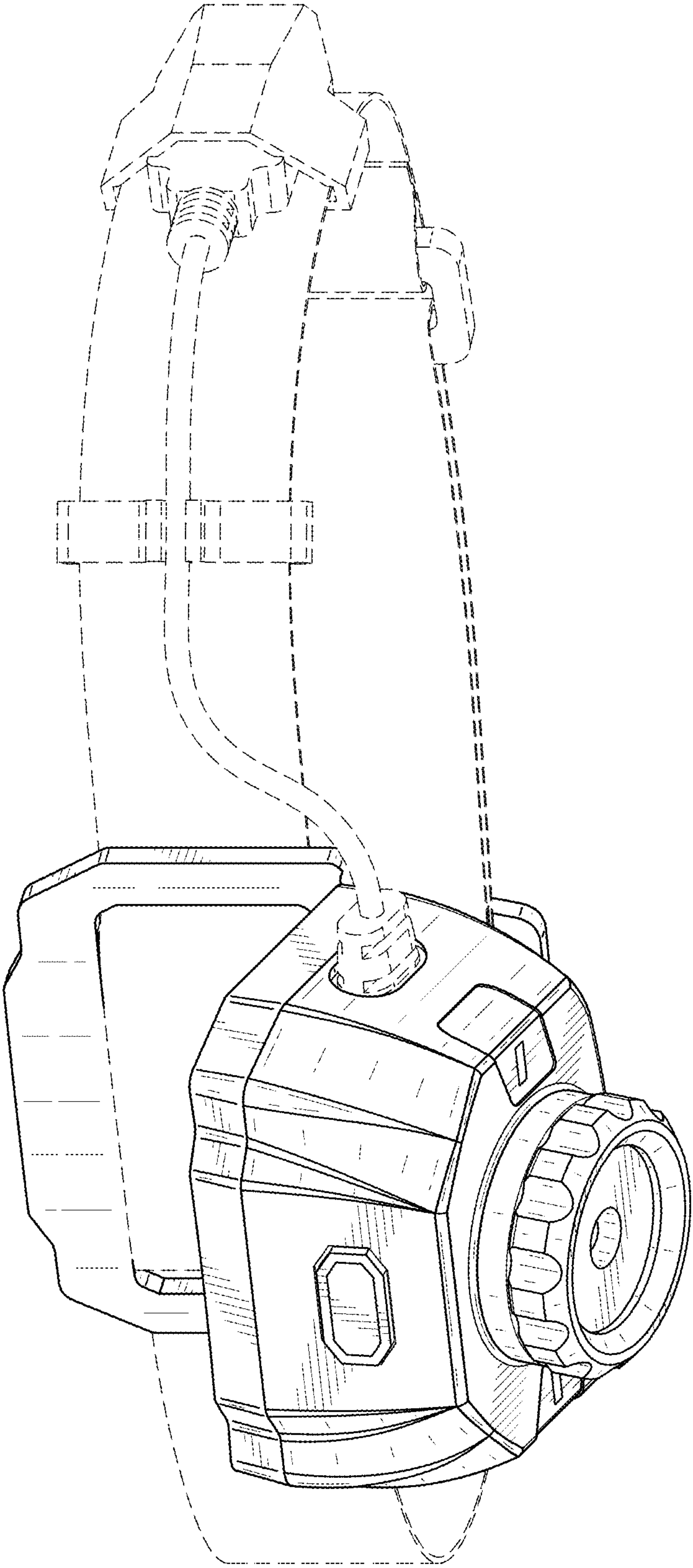


FIG. 1

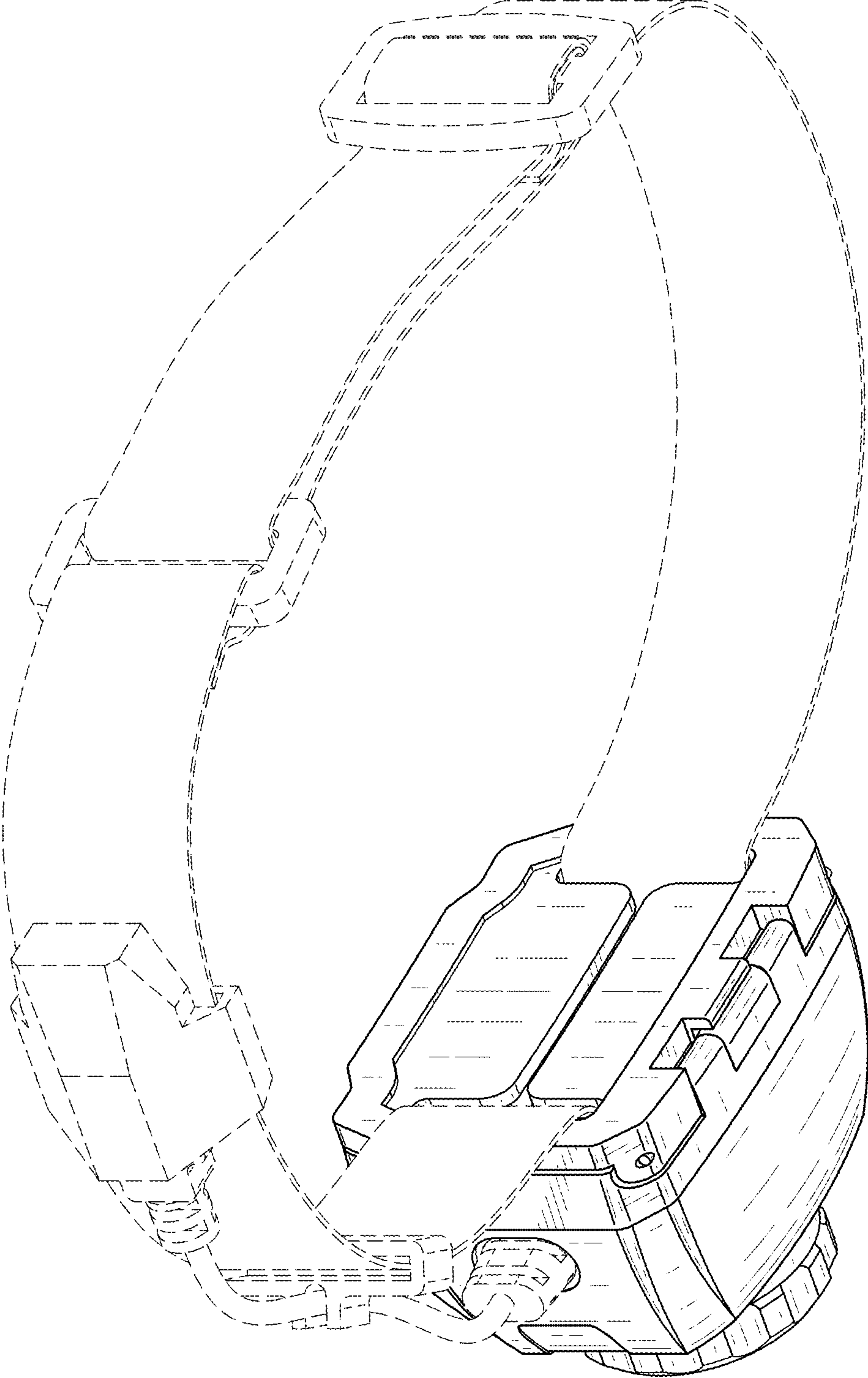


FIG. 2

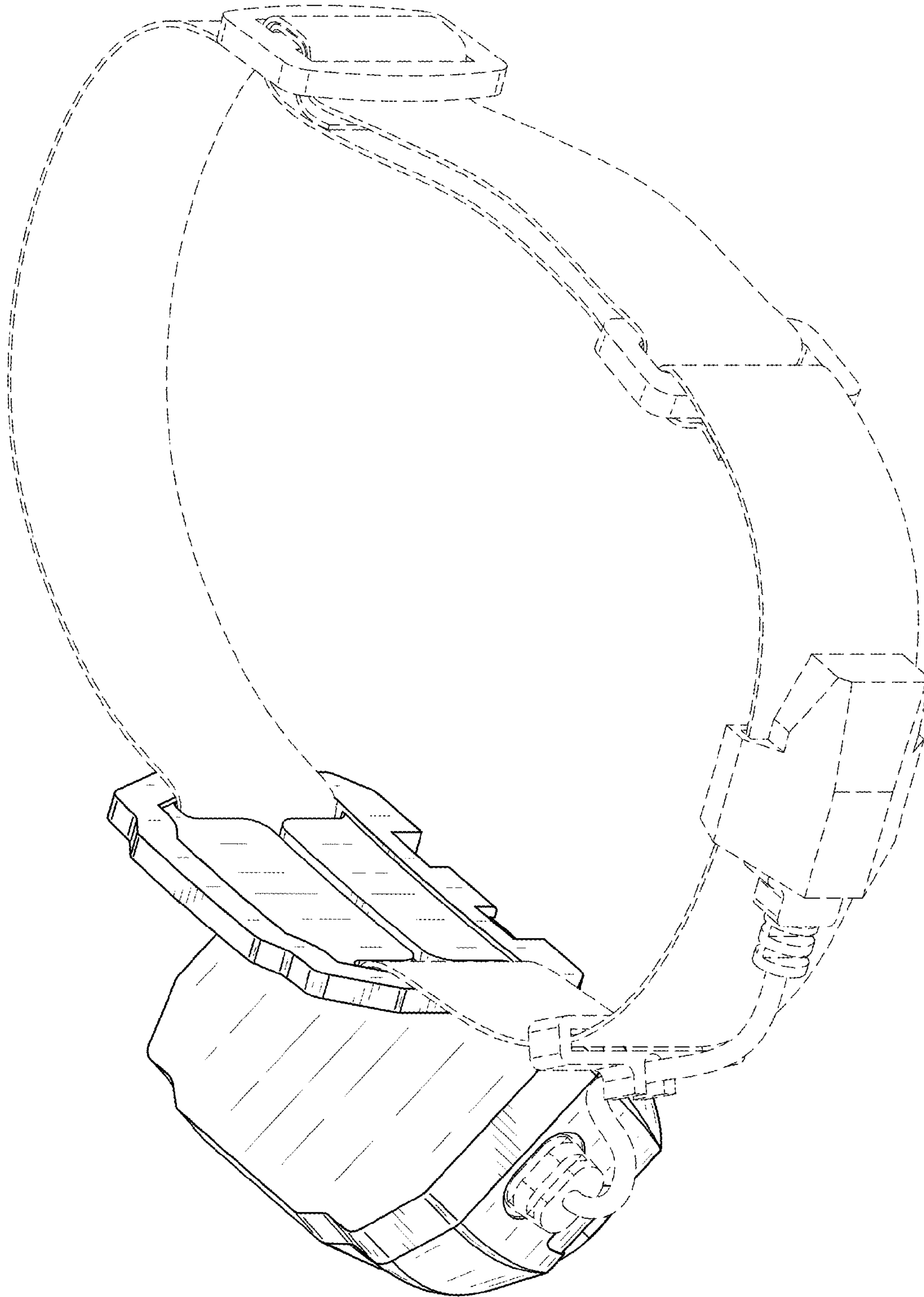


FIG. 3



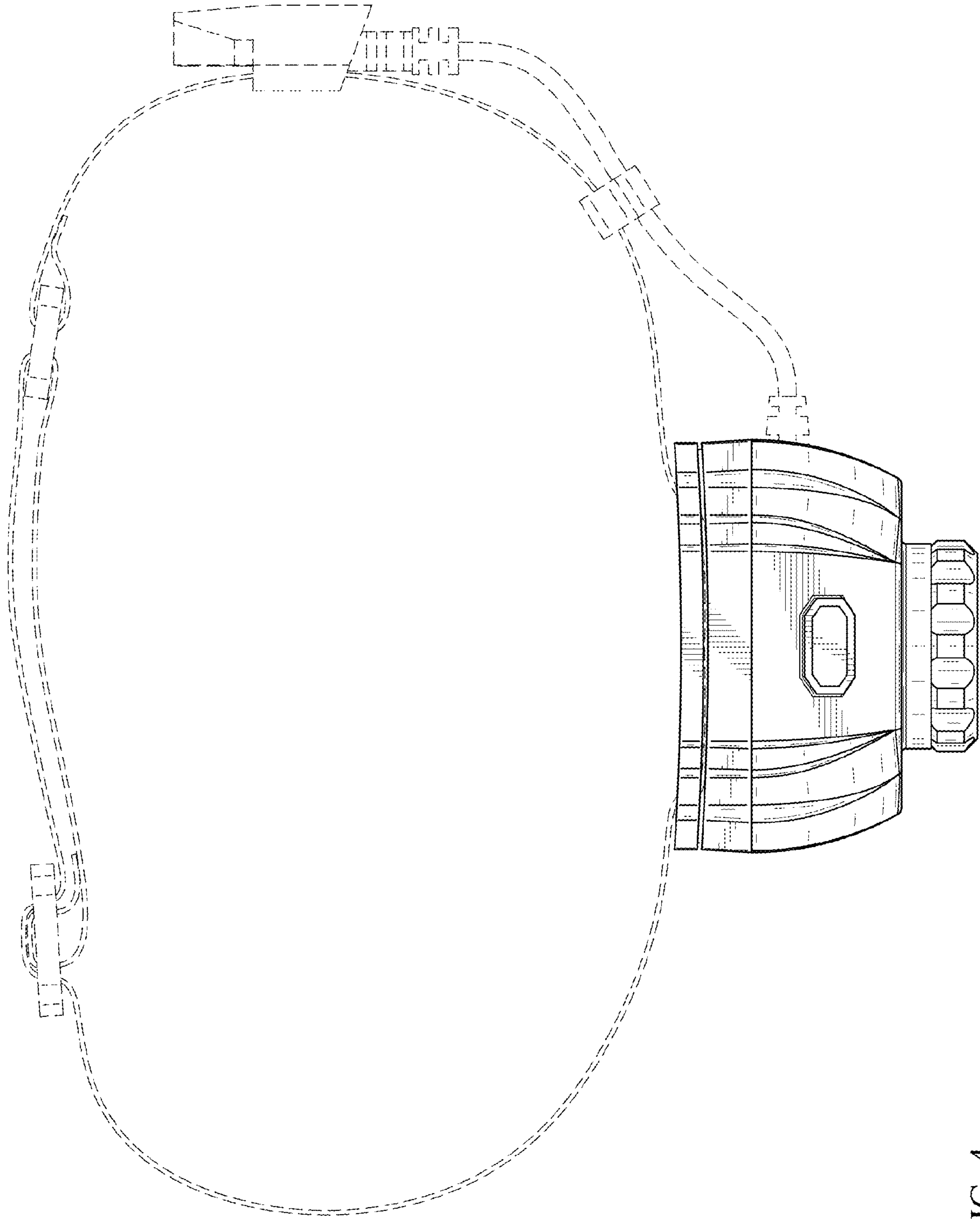


FIG. 4

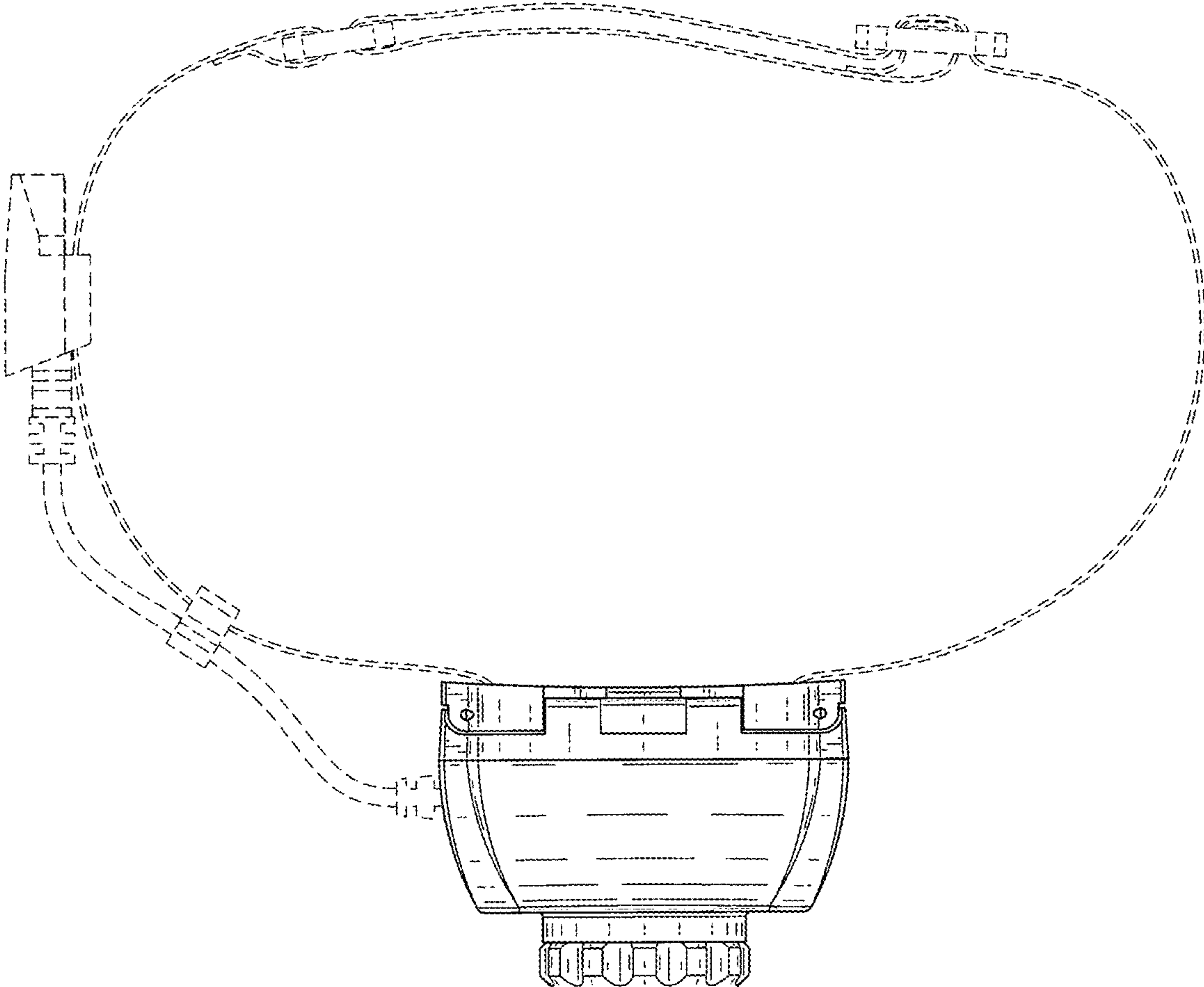


FIG. 5

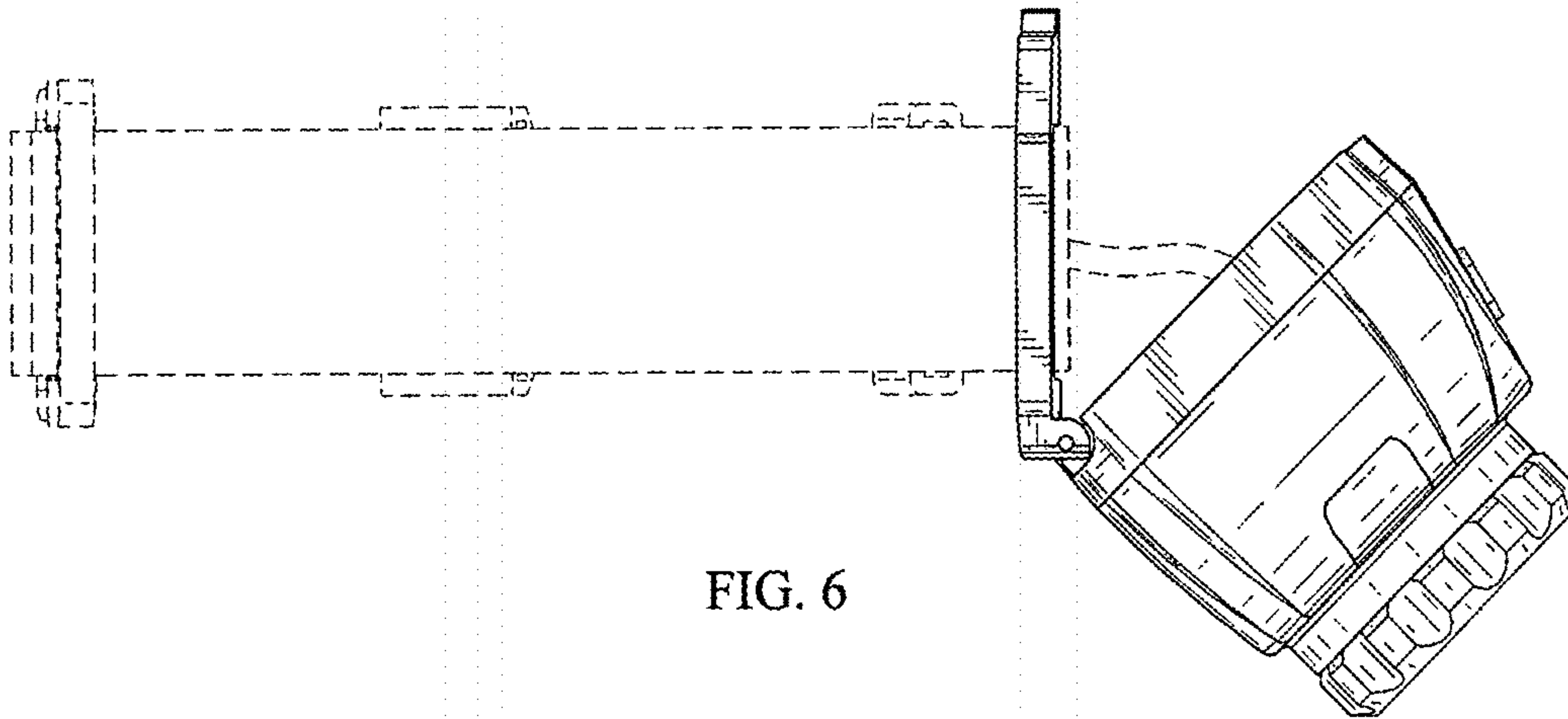


FIG. 6

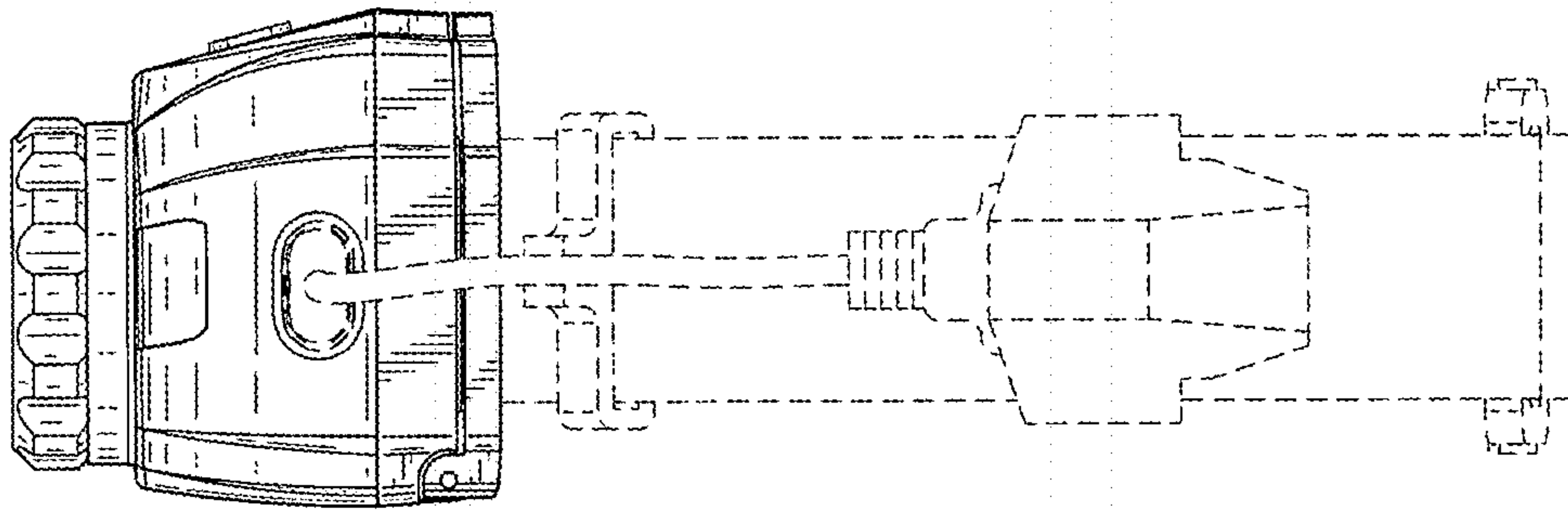


FIG. 7

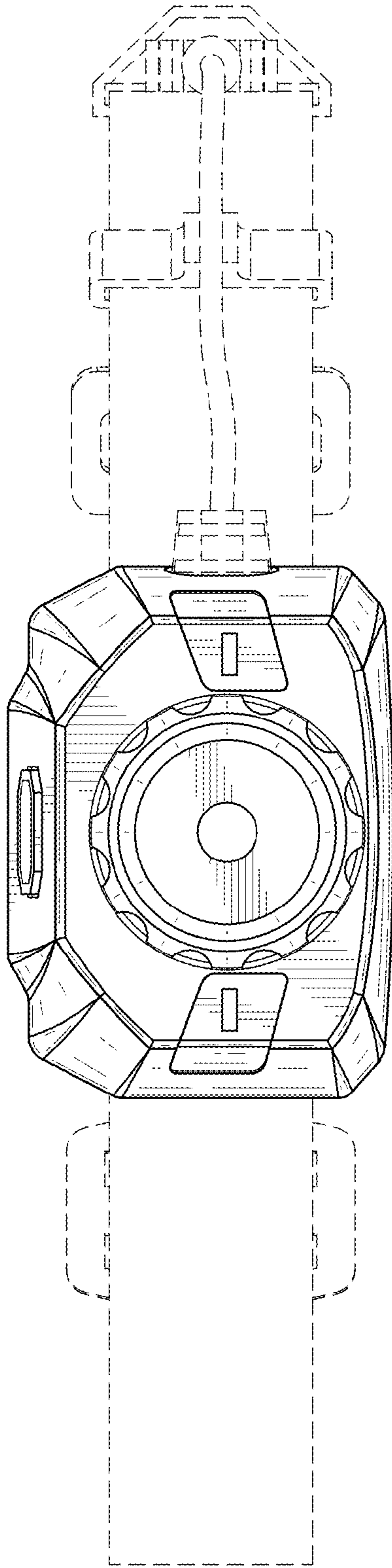


FIG. 8

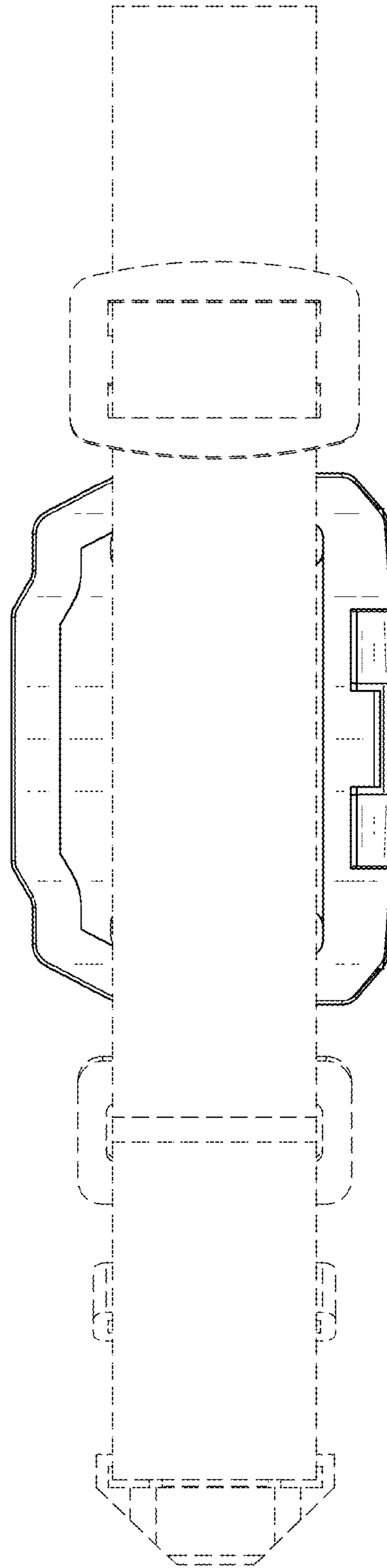


FIG. 9



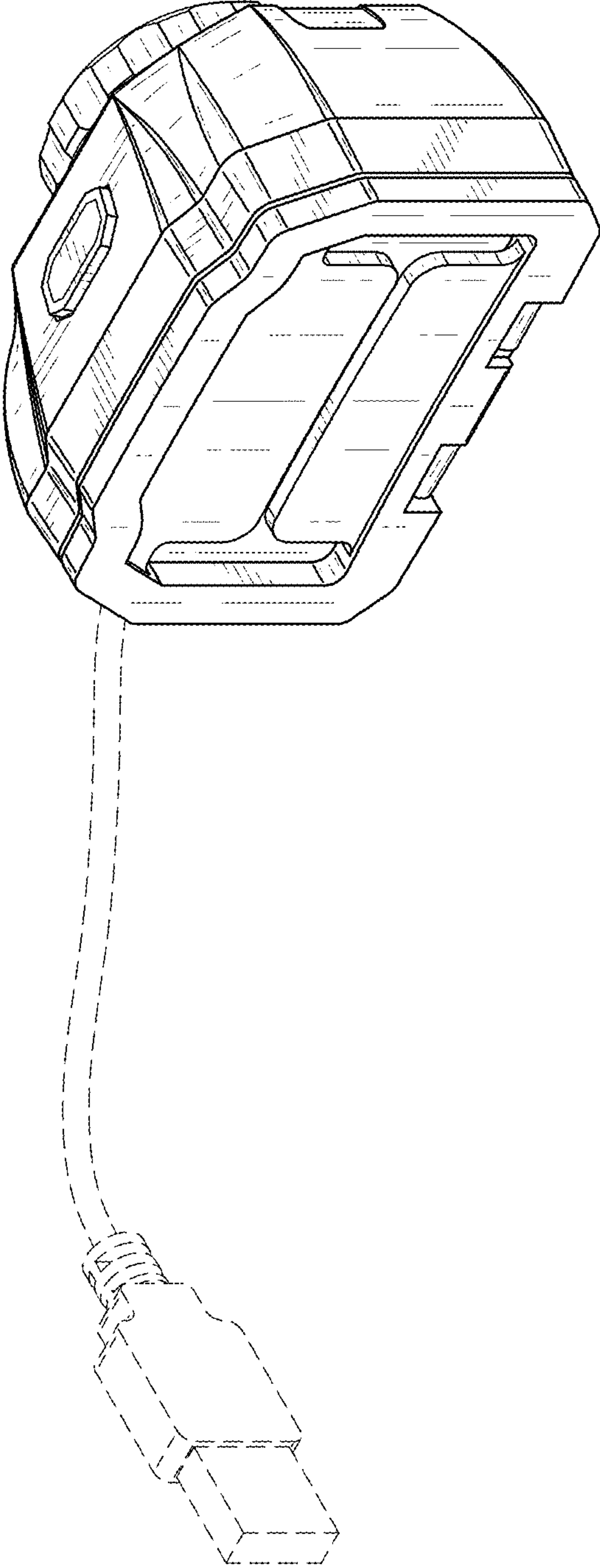


FIG. 10