



US00D876692S

(12) **United States Design Patent**
Yahr et al.

(10) **Patent No.:** **US D876,692 S**
(45) **Date of Patent:** **** Feb. 25, 2020**

(54) **PORTION OF A LIGHTING LAMP**

(74) *Attorney, Agent, or Firm* — Quarles & Brady LLP

(71) Applicant: **J.W. SPEAKER CORPORATION**,
Germantown, WI (US)

(72) Inventors: **Brandon L. Yahr**, Slinger, WI (US);
Jeffrey L. Spenner, Hubertus, WI (US)

(73) Assignee: **J.W. SPEAKER CORPORATION**,
Germantown, WI (US)

(**) Term: **15 Years**

(21) Appl. No.: **29/643,400**

(22) Filed: **Apr. 9, 2018**

(51) **LOC (12) Cl.** **26-06**

(52) **U.S. Cl.**
USPC **D26/36**

(58) **Field of Classification Search**
USPC D26/28–36, 139
CPC F21S 48/00; F21S 48/10; F21S 48/115;
F21S 48/225; F21S 48/1233; F21S
48/1266; F21S 48/1388; F21S 48/2268;
F21V 21/04; F21V 29/004; B60Q 9/13;
B60Q 9/135; B60Q 9/1375
See application file for complete search history.

(56) **References Cited**

U.S. PATENT DOCUMENTS

D121,503 S * 7/1940 Bahr D26/36
D235,473 S * 6/1975 Nagel D26/36

* cited by examiner

Primary Examiner — Marcus A Jackson

(57) **CLAIM**

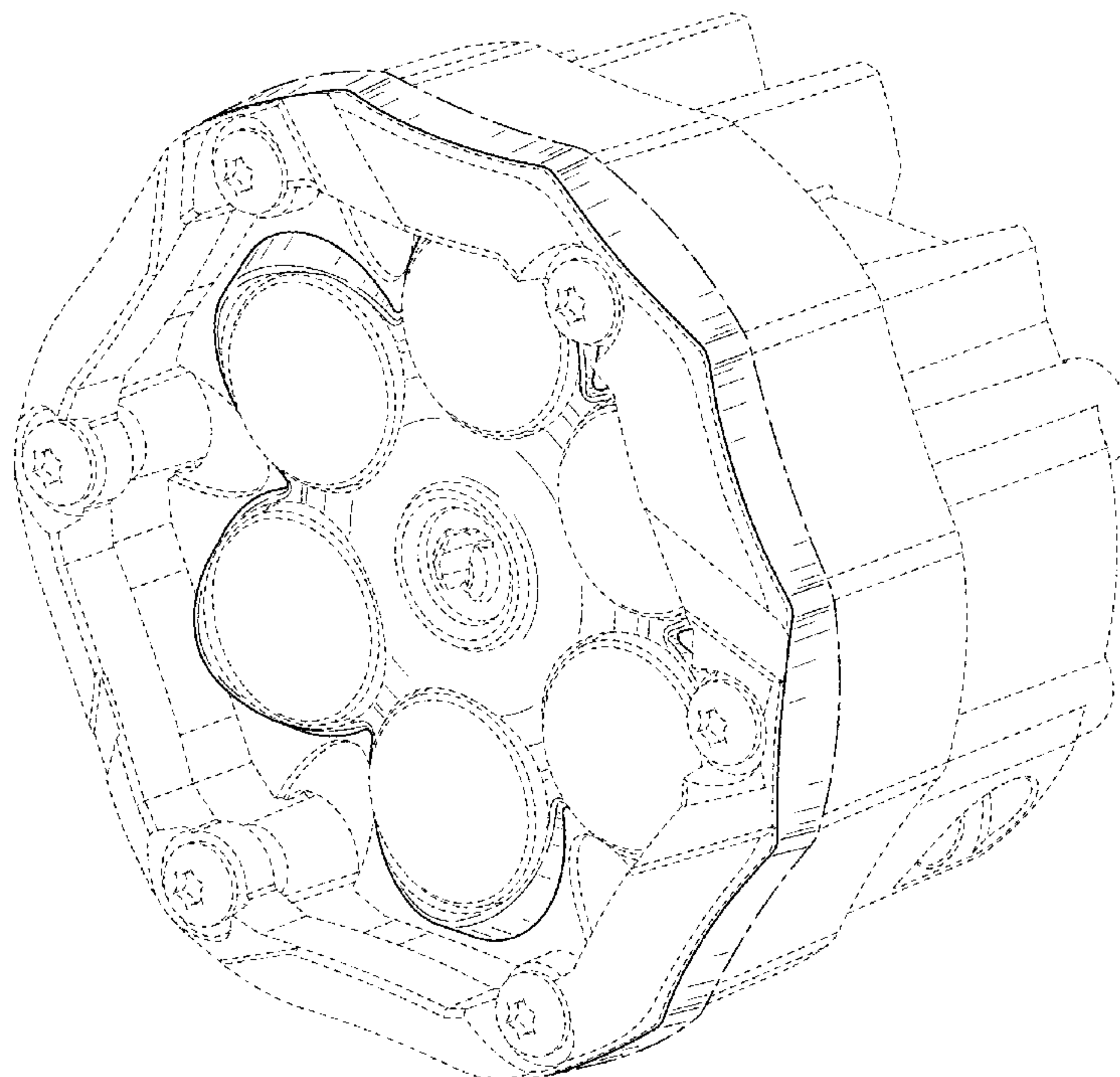
The ornamental design for a portion of a lighting lamp, as shown and described.

DESCRIPTION

FIG. 1 is an isometric view of a top, front, and right side of an ornamental design for a portion of a lighting lamp; FIG. 2 is a front elevational view of the portion of a lighting lamp of FIG. 1; FIG. 3 is a rear elevational view of the portion of a lighting lamp of FIG. 1; FIG. 4 is a right side elevational view of the portion of a lighting lamp of FIG. 1; FIG. 5 is a left side elevational view of the portion of a lighting lamp of FIG. 1; FIG. 6 is a top plan view of the portion of a lighting lamp of FIG. 1; and, FIG. 7 is a bottom plan view of the portion of a lighting lamp of FIG. 1.

The dash-dash-dash broken lines are included for the purpose of illustrating portions of the portion of a lighting lamp that form no part of the claimed design. The dash-dot-dash-dot broken lines define boundaries of the claimed design and form no part of the claimed design. Further, the dash-dot-dash-dot broken lines illustrated in FIGS. 1-7 depict how a portion of a lighting lamp may include a varying dimension.

1 Claim, 6 Drawing Sheets



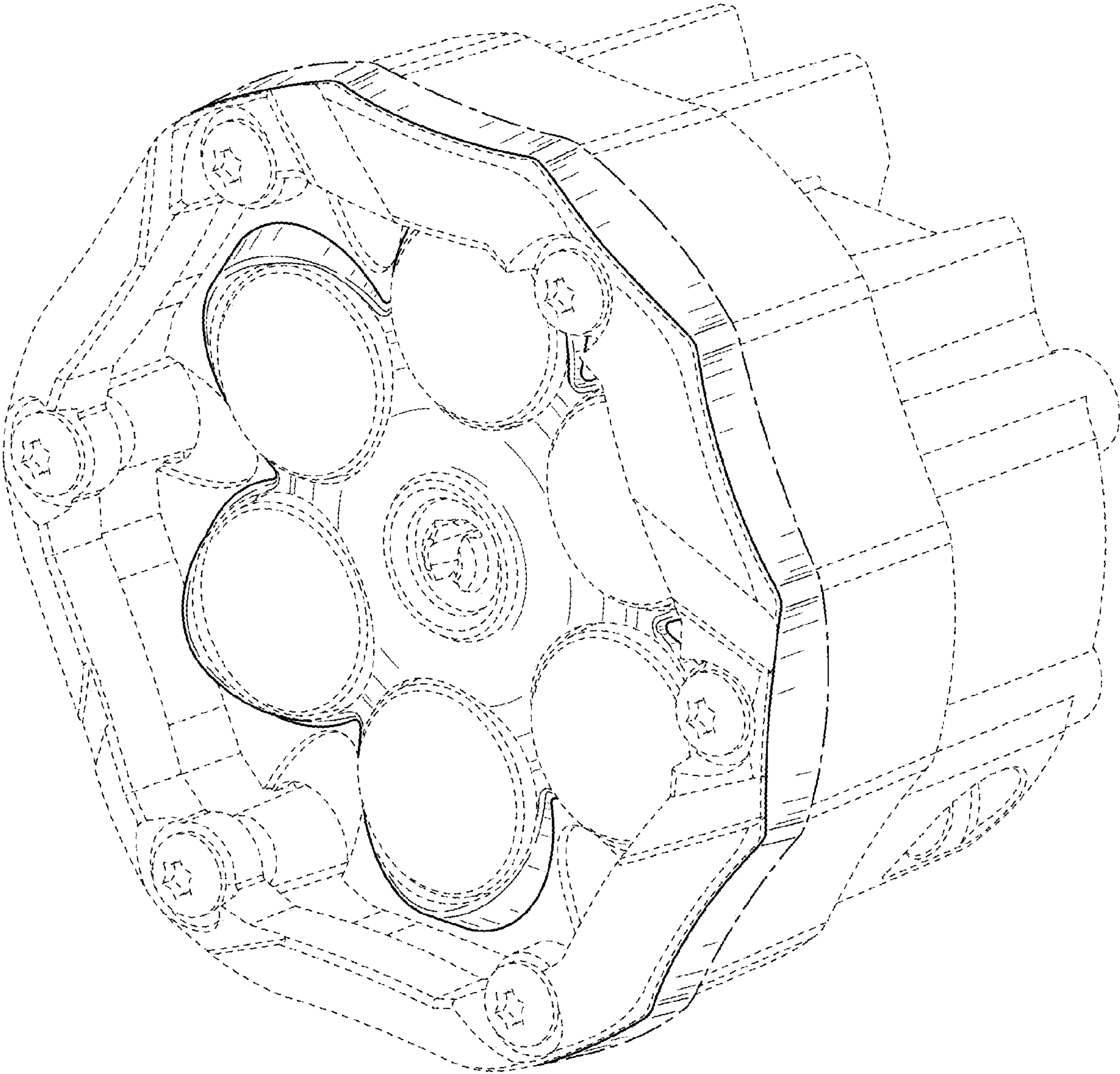


FIG. 1

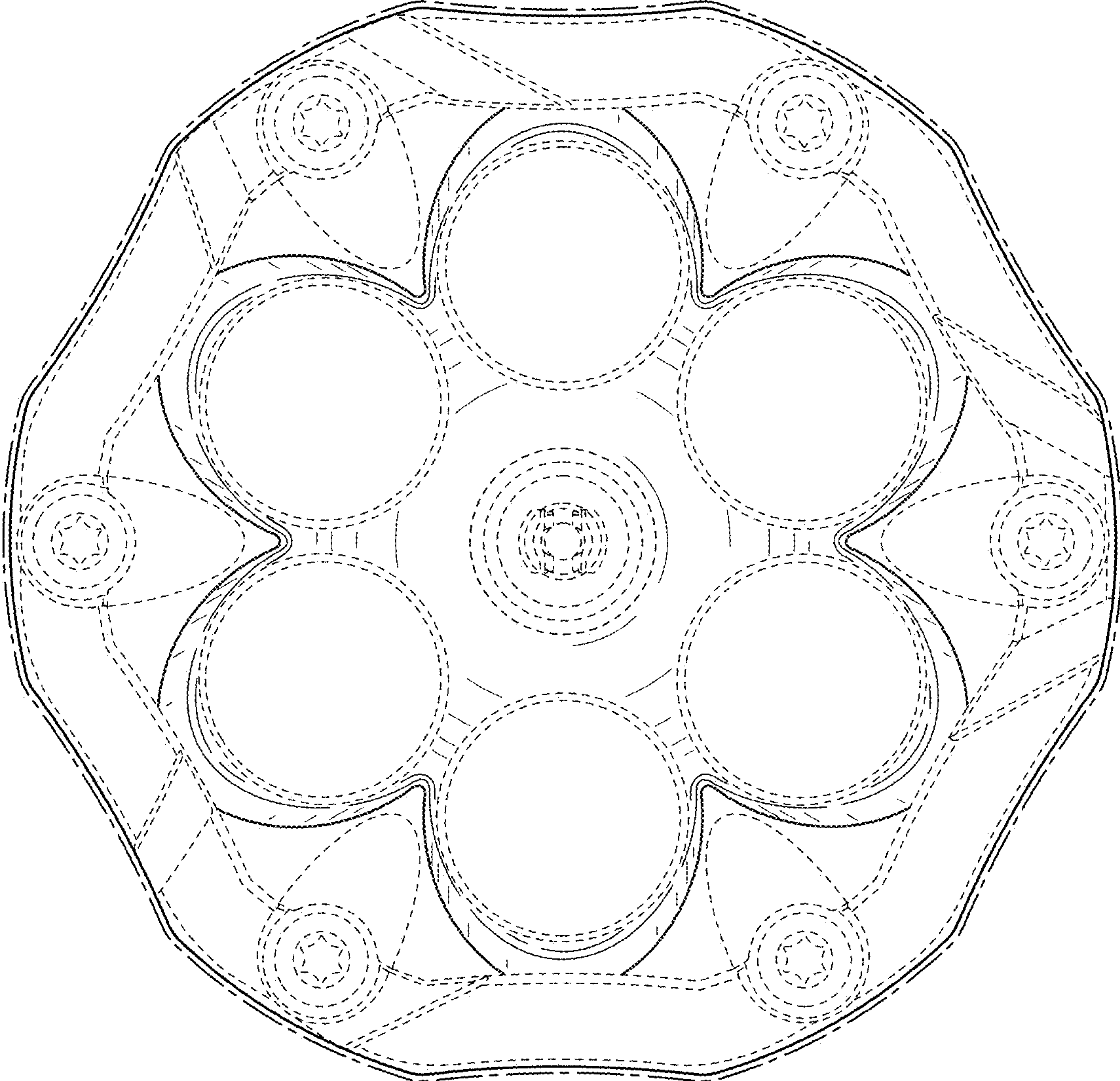


FIG. 2

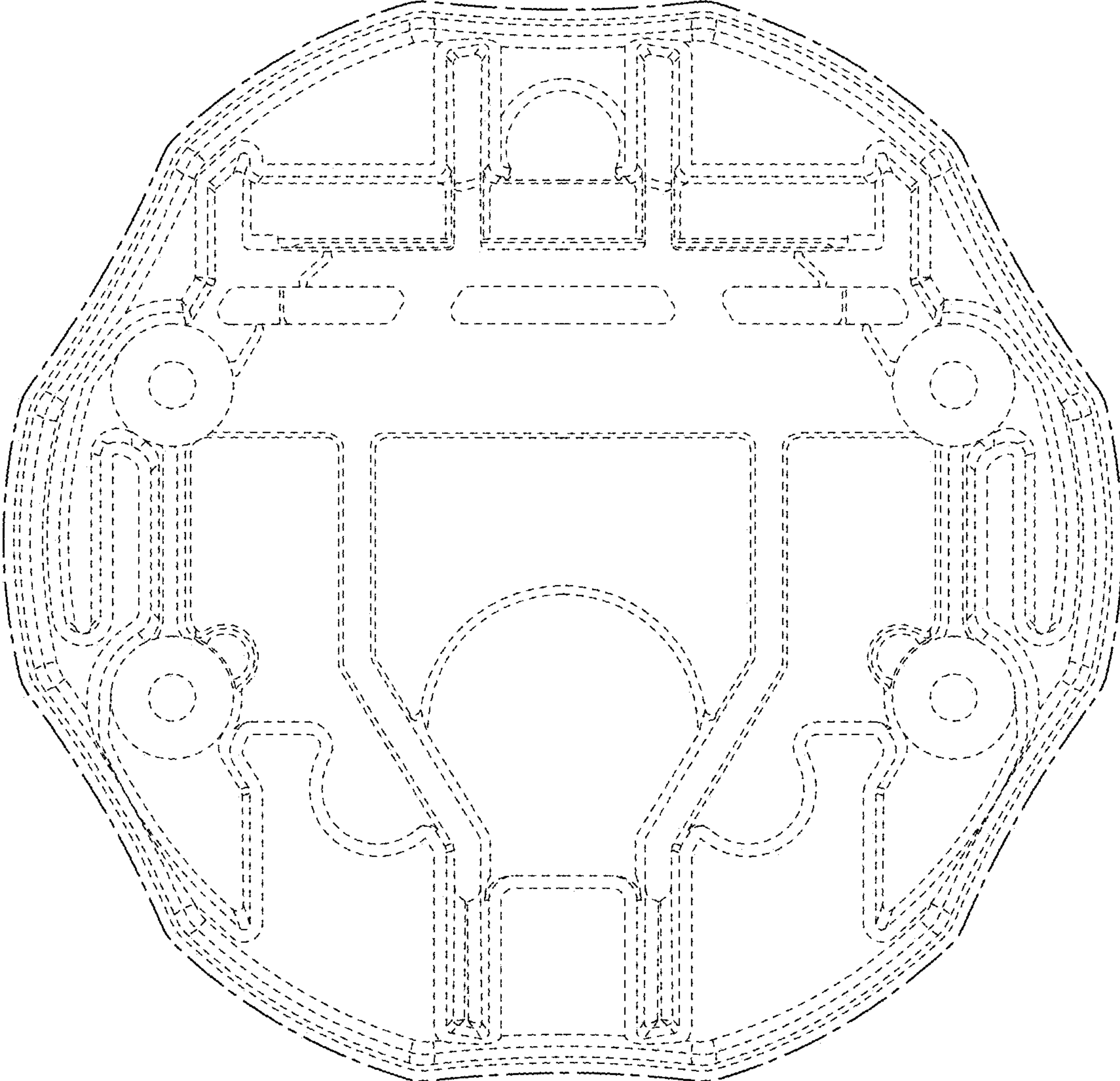


FIG. 3

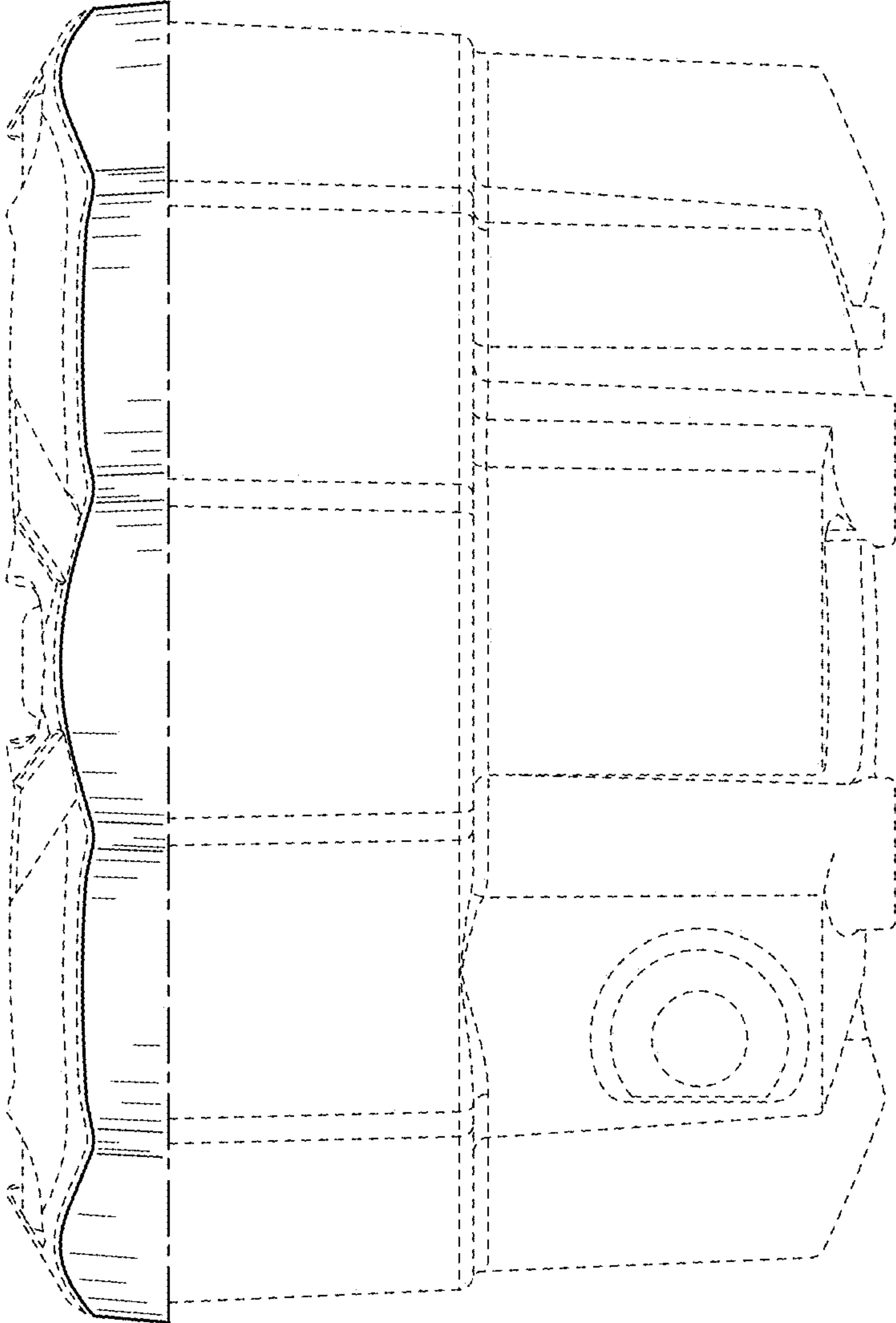


FIG. 4

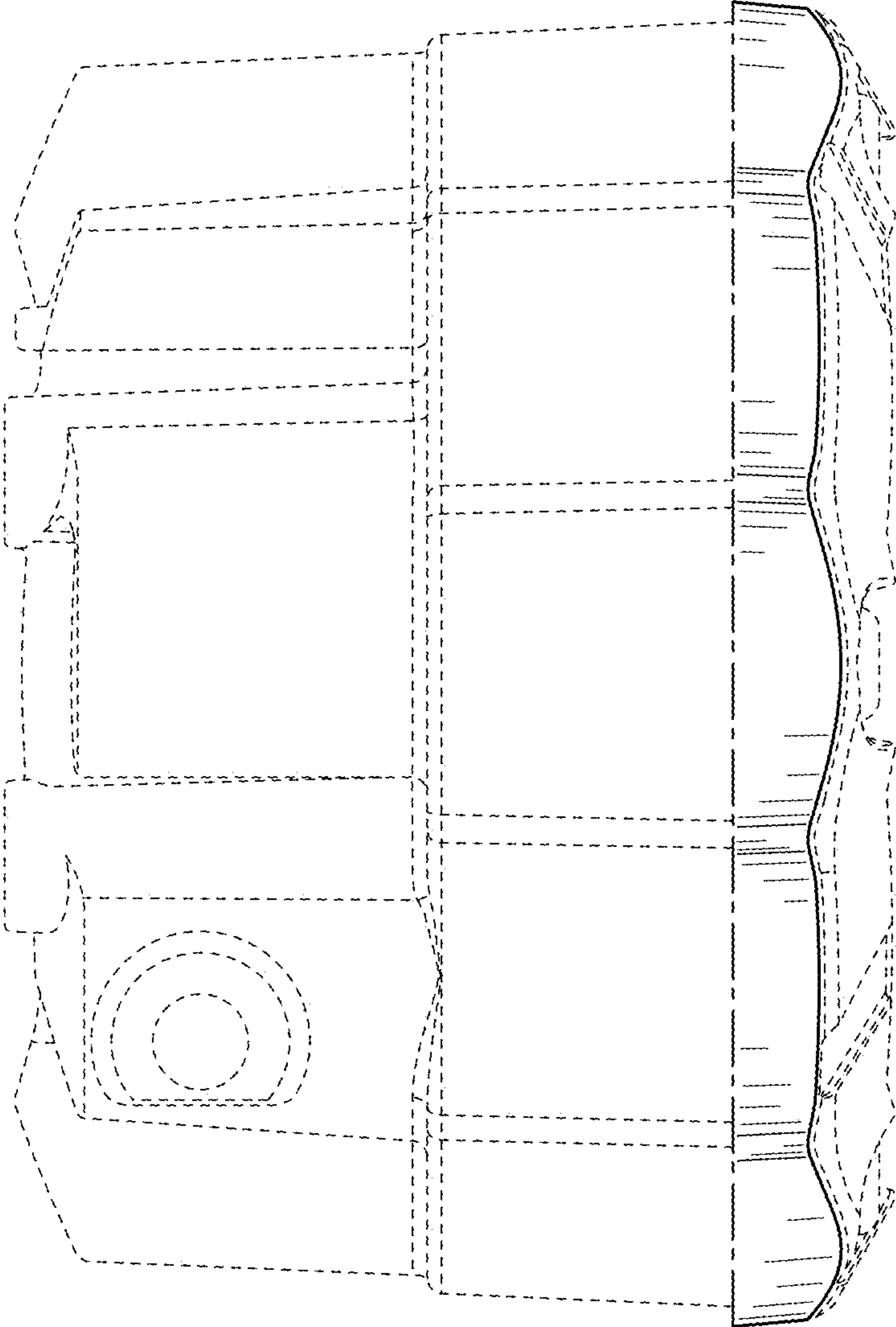


FIG. 5

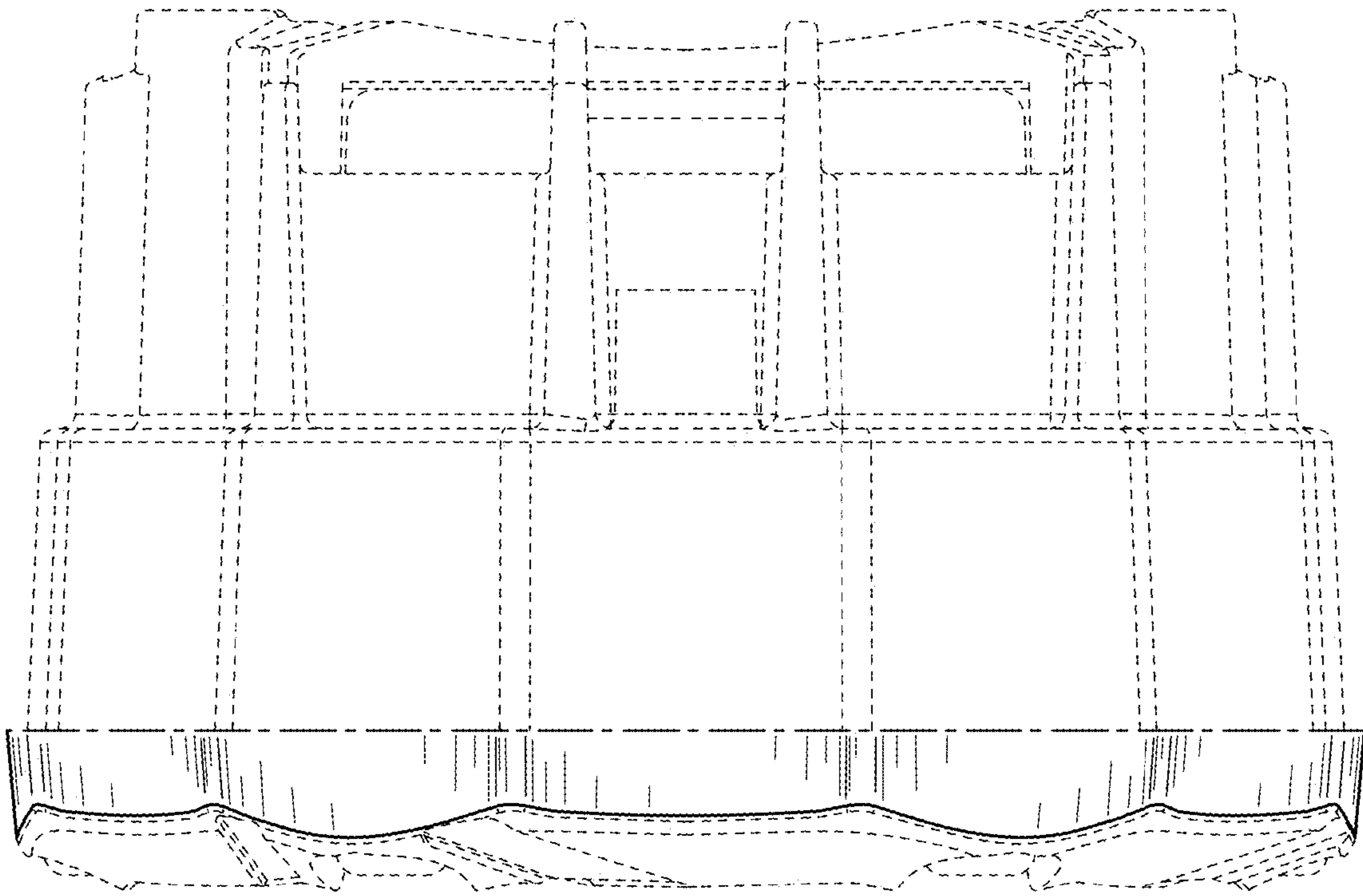


FIG. 6

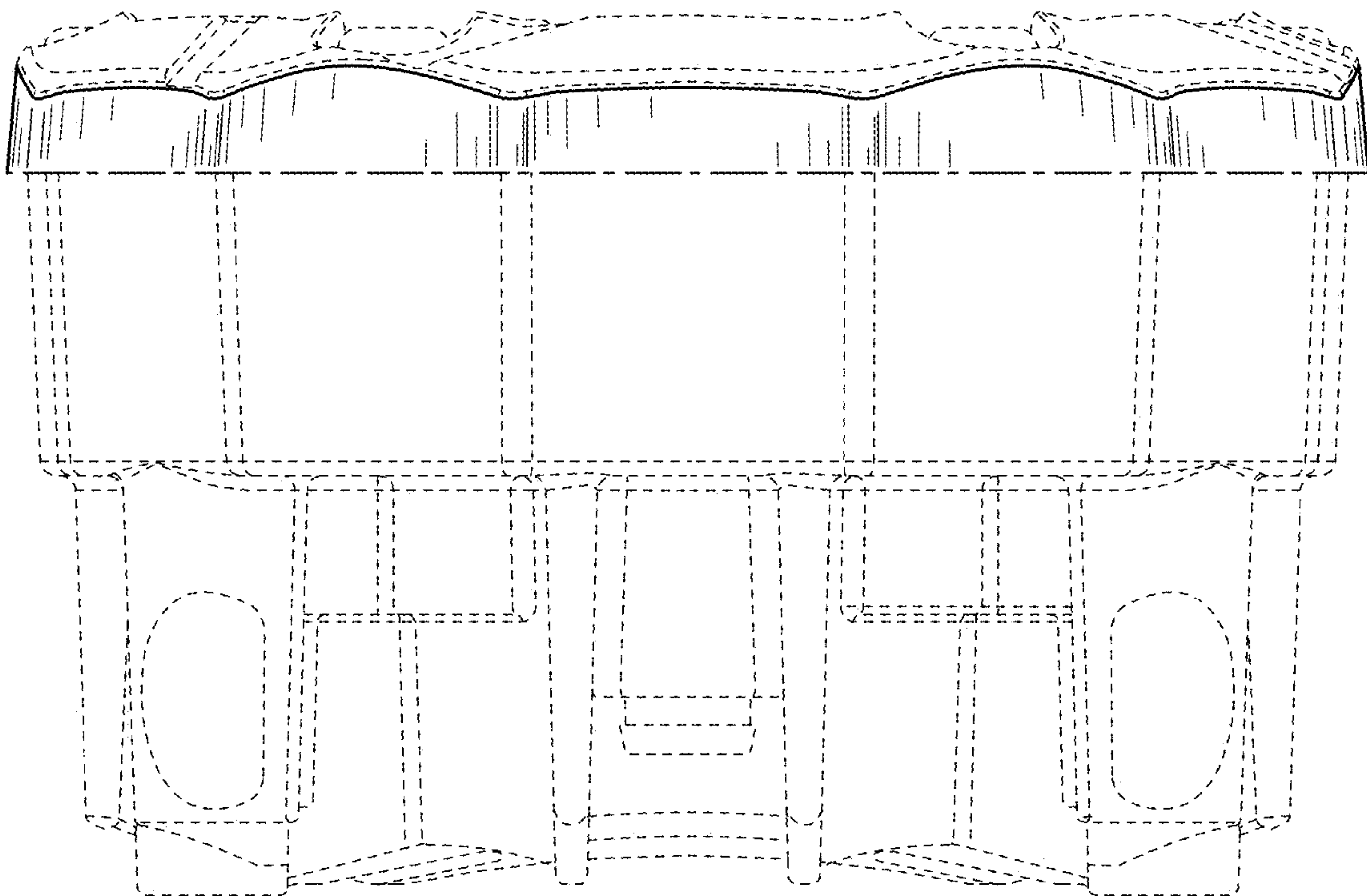


FIG. 7