



US00D876685S

(12) **United States Design Patent** (10) **Patent No.:** **US D876,685 S**
Lin (45) **Date of Patent:** **** Feb. 25, 2020**

(54) **VEHICLE TAILLIGHT**
(71) Applicant: **KUEN HWA TRAFFIC INDUSTRIAL CO., LTD.**, Tainan (TW)
(72) Inventor: **Chung-I Lin**, Hsinchu (TW)
(73) Assignee: **Kuen Hwa Traffic Industrial Co., Ltd.**, Tainan (TW)
(**) Term: **15 Years**
(21) Appl. No.: **29/675,534**
(22) Filed: **Jan. 3, 2019**
(51) **LOC (12) Cl.** **26-06**
(52) **U.S. Cl.**
USPC **D26/28**
(58) **Field of Classification Search**
USPC D26/28, 29, 30, 31, 32, 33, 34, 35, 36;
362/459-468, 475-478, 485-487
CPC F21S 48/00; F21S 48/10; F21S 48/115;
F21S 48/225; F21S 48/1233; F21S
48/1266; F21S 48/1388; F21S 48/2268;
F21V 21/04
See application file for complete search history.

D804,693 S * 12/2017 Handt D26/28
D805,226 S * 12/2017 Amemiya D26/28
D815,766 S * 4/2018 Park D26/28
D821,619 S * 6/2018 Amemiya D26/28
D832,473 S * 10/2018 Handt D26/28
D849,291 S * 5/2019 Wu D26/28
D851,295 S * 6/2019 Whang D26/28
D853,605 S * 7/2019 Nordmann D26/28

* cited by examiner

Primary Examiner — Angela J Lee

(74) *Attorney, Agent, or Firm* — Rosenberg, Klein & Lee

(57) **CLAIM**

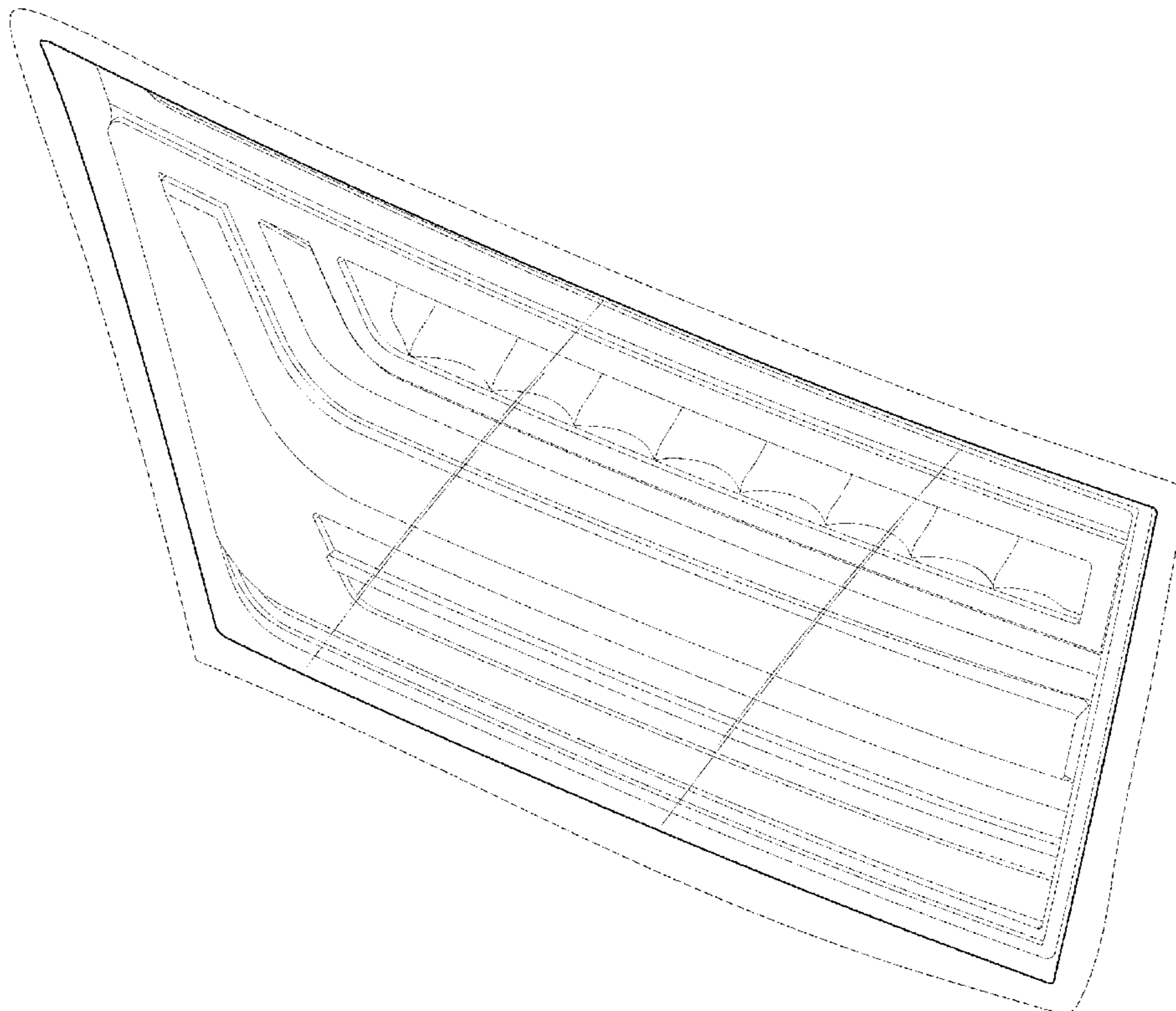
The ornamental design for a vehicle taillight, as shown and described.

DESCRIPTION

FIG. 1 is a perspective view of a vehicle taillight showing my present design;
FIG. 2 is a front view thereof;
FIG. 3 is a right view thereof;
FIG. 4 is a top plan view thereof,
FIG. 5 is another perspective view thereof; and,
FIG. 6 is still another perspective view thereof.
The broken lines in the drawings illustrate portions of the vehicle taillight and form no part of the claimed design.

1 Claim, 6 Drawing Sheets

(56) **References Cited**
U.S. PATENT DOCUMENTS
D736,971 S * 8/2015 Duff D26/28
D755,420 S * 5/2016 Ko D26/28



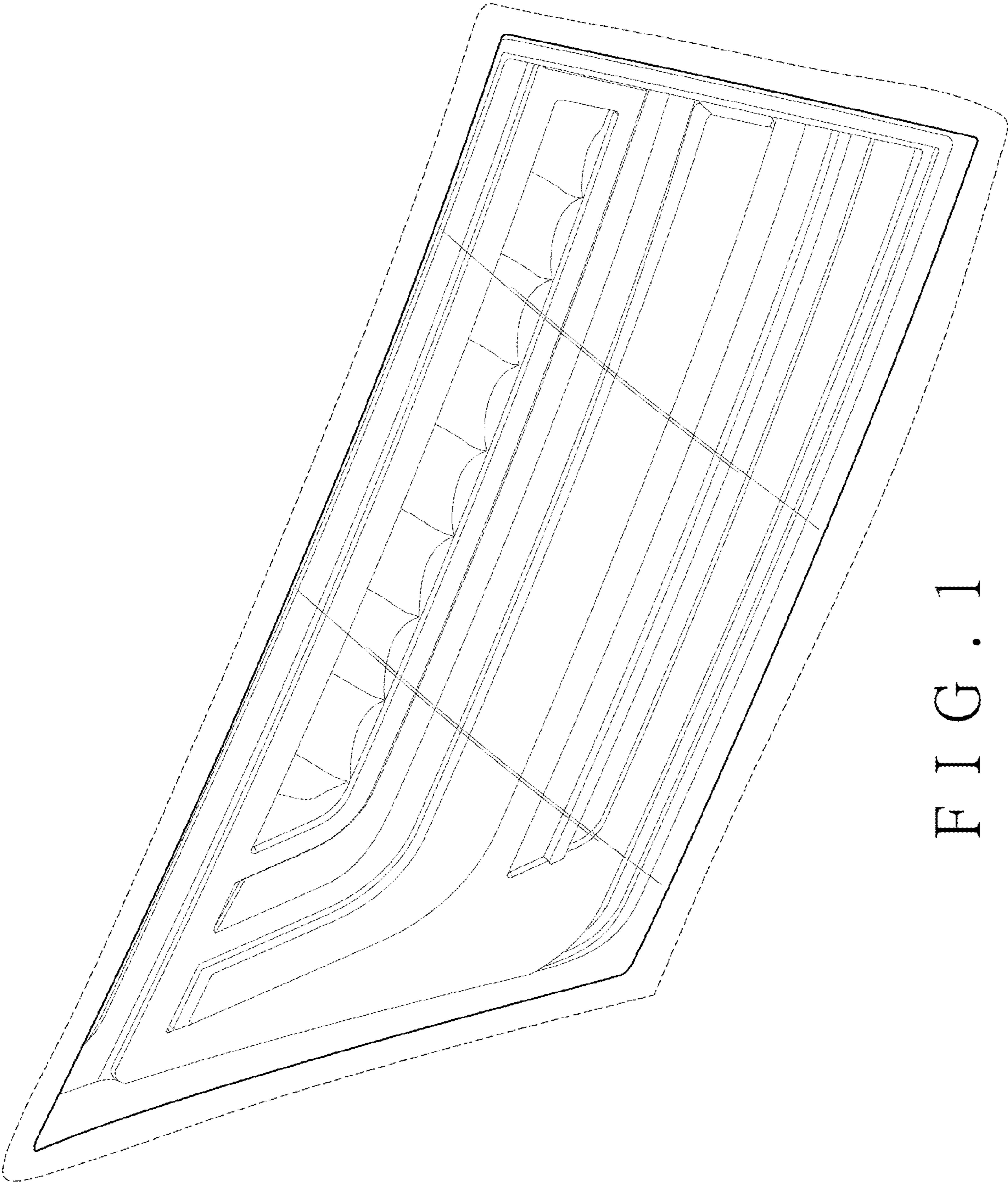


FIG. 1

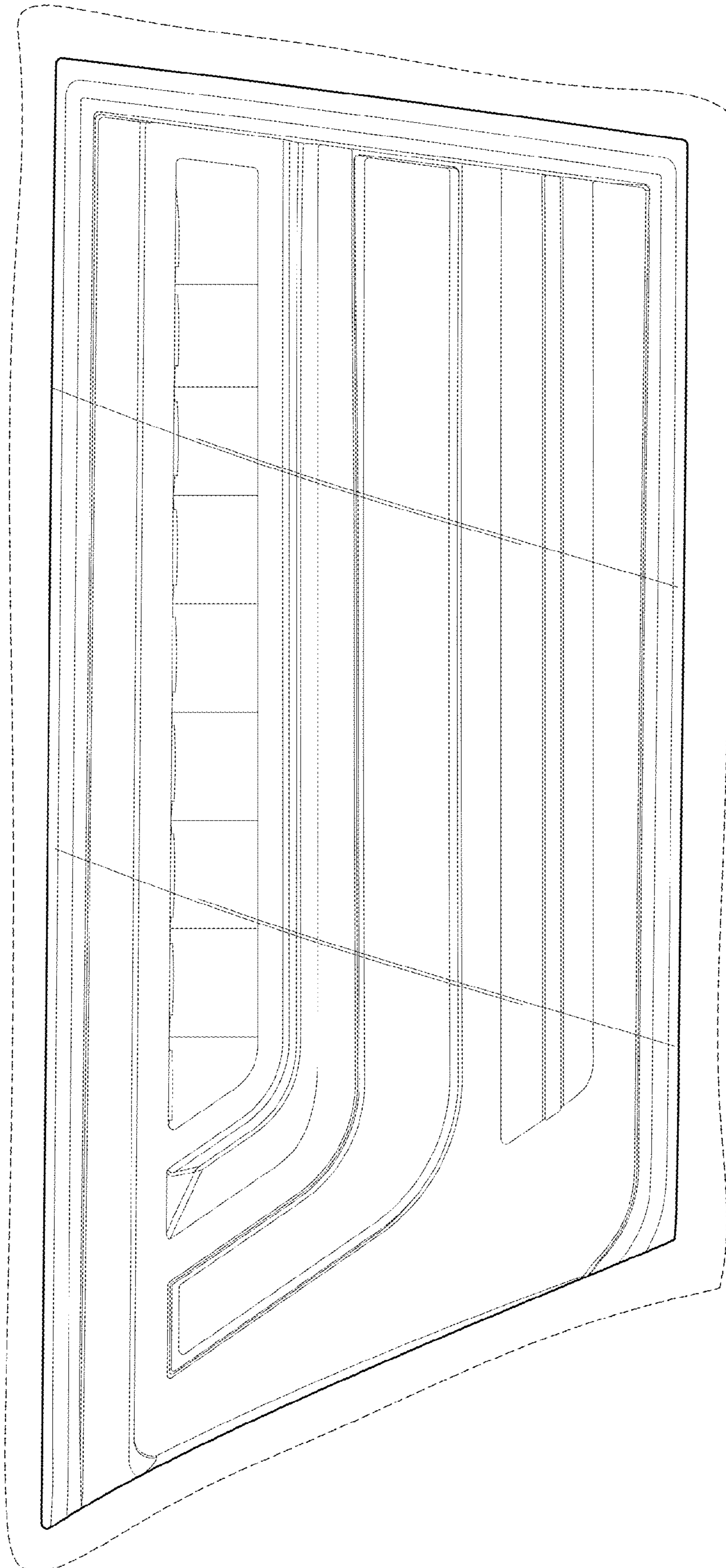


FIG. 2

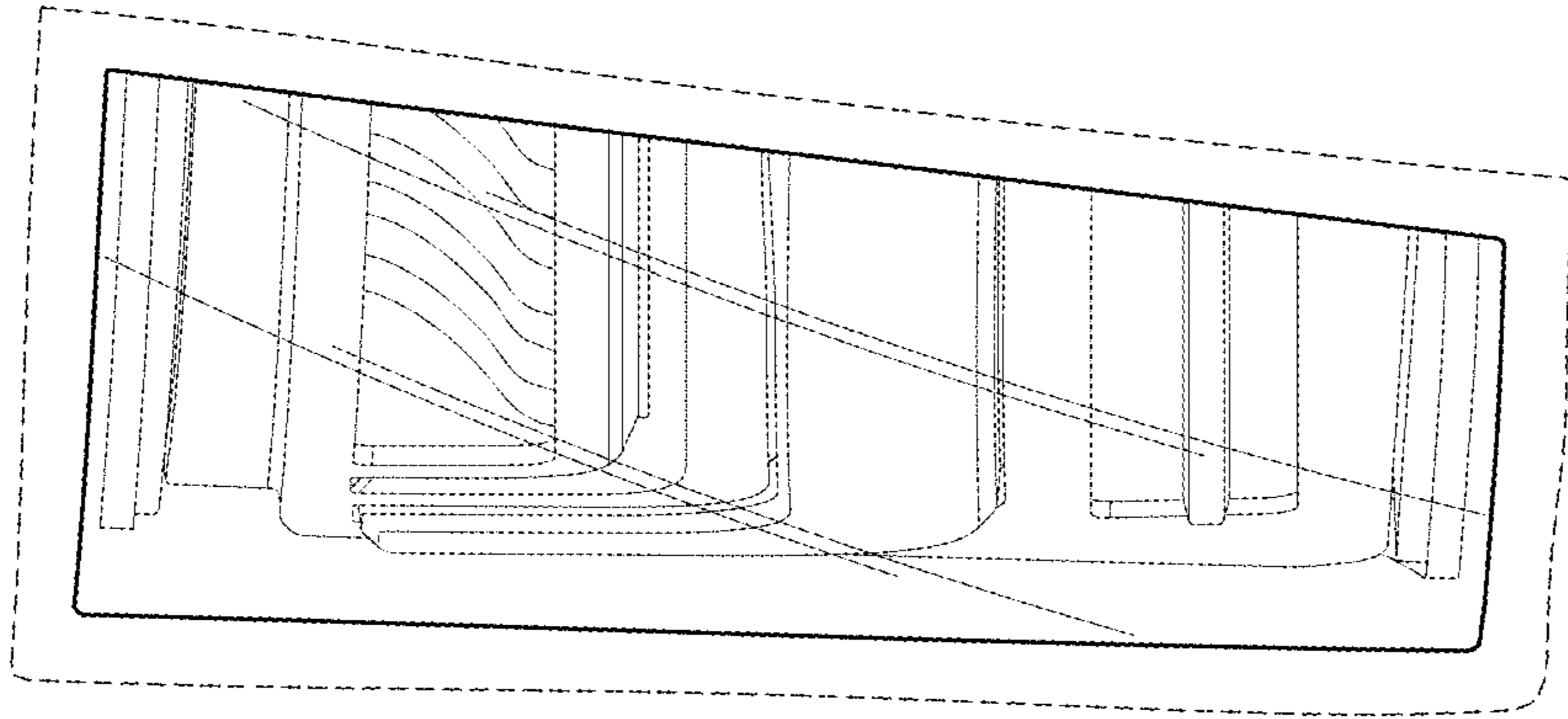


FIG. 3

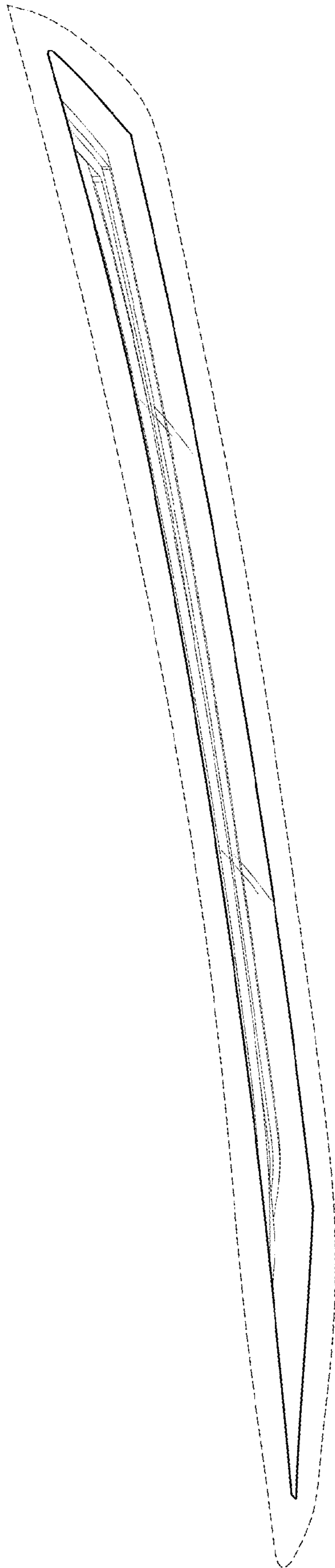


FIG. 4

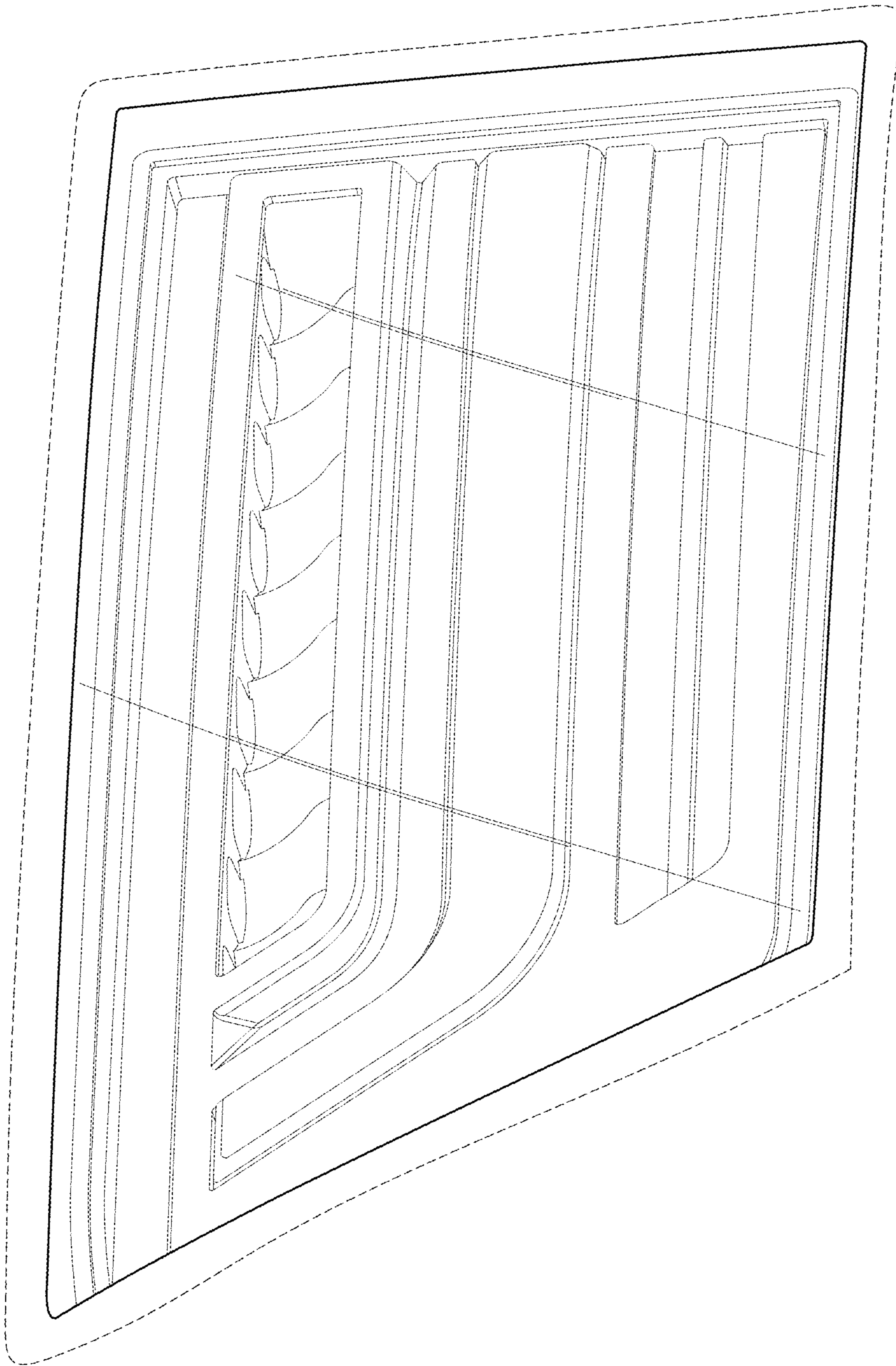


FIG. 5

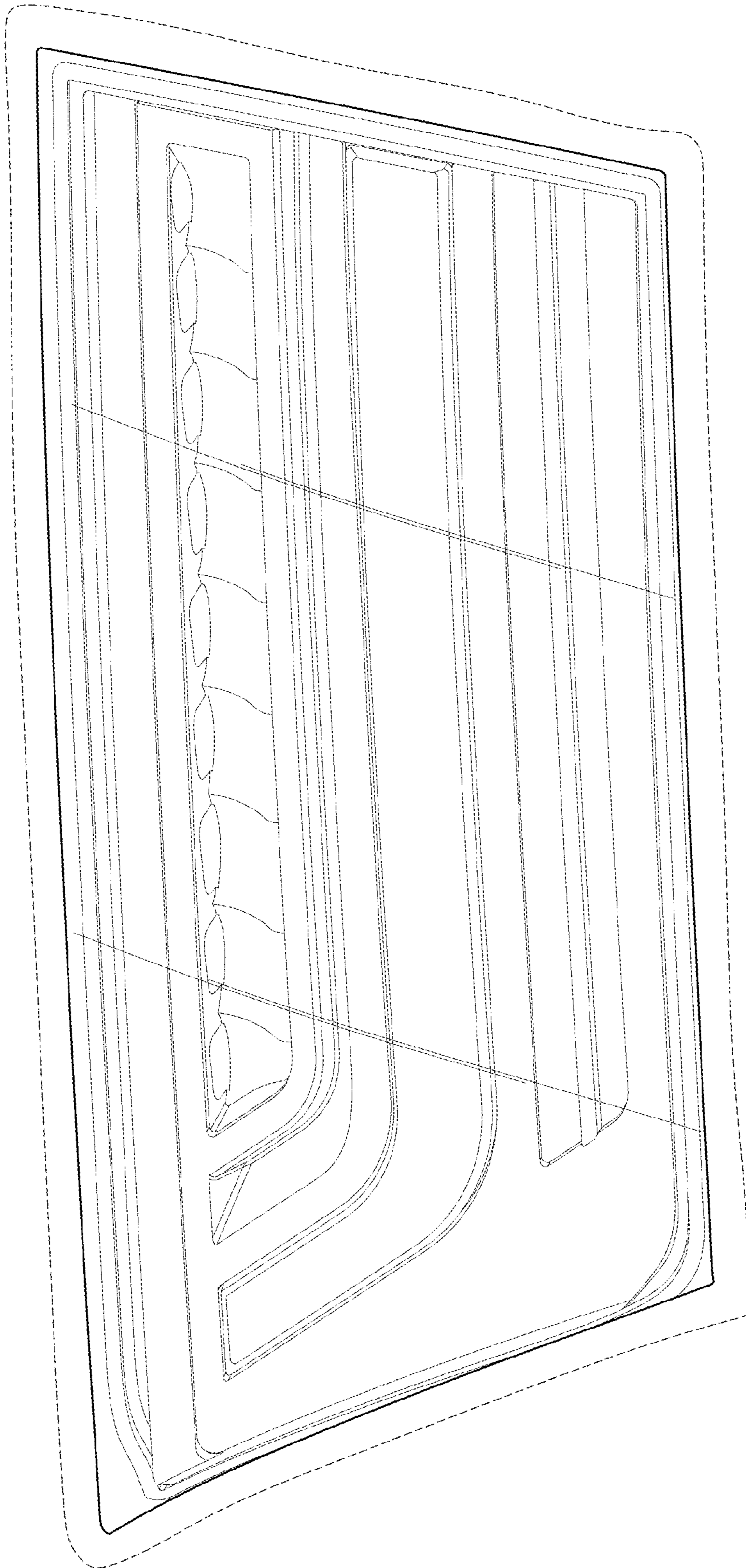


FIG. 6