



US00D876680S

(12) **United States Design Patent**
Toriyama

(10) **Patent No.:** **US D876,680 S**

(45) **Date of Patent:** **** Feb. 25, 2020**

(54) **HEADLIGHT**

(71) Applicant: **HONDA MOTOR CO., LTD.**, Tokyo
(JP)

(72) Inventor: **Daisuke Toriyama**, Rancho Palos
Verdes, CA (US)

(73) Assignee: **HONDA MOTOR CO., LTD.**, Tokyo
(JP)

(**) Term: **15 Years**

(21) Appl. No.: **29/668,209**

(22) Filed: **Oct. 29, 2018**

(51) **LOC (12) Cl.** **26-06**

(52) **U.S. Cl.**
USPC **D26/28**

(58) **Field of Classification Search**
USPC D26/28-36, 139
CPC F21S 48/00; F21S 48/10; F21S 48/115;
F21S 48/225; F21S 48/1233; F21S
48/1266; F21S 48/1388; F21S 48/2268;
F21V 13/00; F21V 21/04; F21V 29/004
See application file for complete search history.

(56) **References Cited**

U.S. PATENT DOCUMENTS

D806,919 S * 1/2018 Hatton D26/28
D808,048 S * 1/2018 Hannemann D26/28

D809,167 S * 1/2018 Chi D26/28
D810,974 S * 2/2018 Sato D26/28
D812,270 S * 3/2018 Minamiyama D26/28
D812,271 S * 3/2018 Katagiri D26/28
D812,273 S * 3/2018 Wu D26/28

* cited by examiner

Primary Examiner — Marcus A Jackson

(74) *Attorney, Agent, or Firm* — Arent Fox LLP

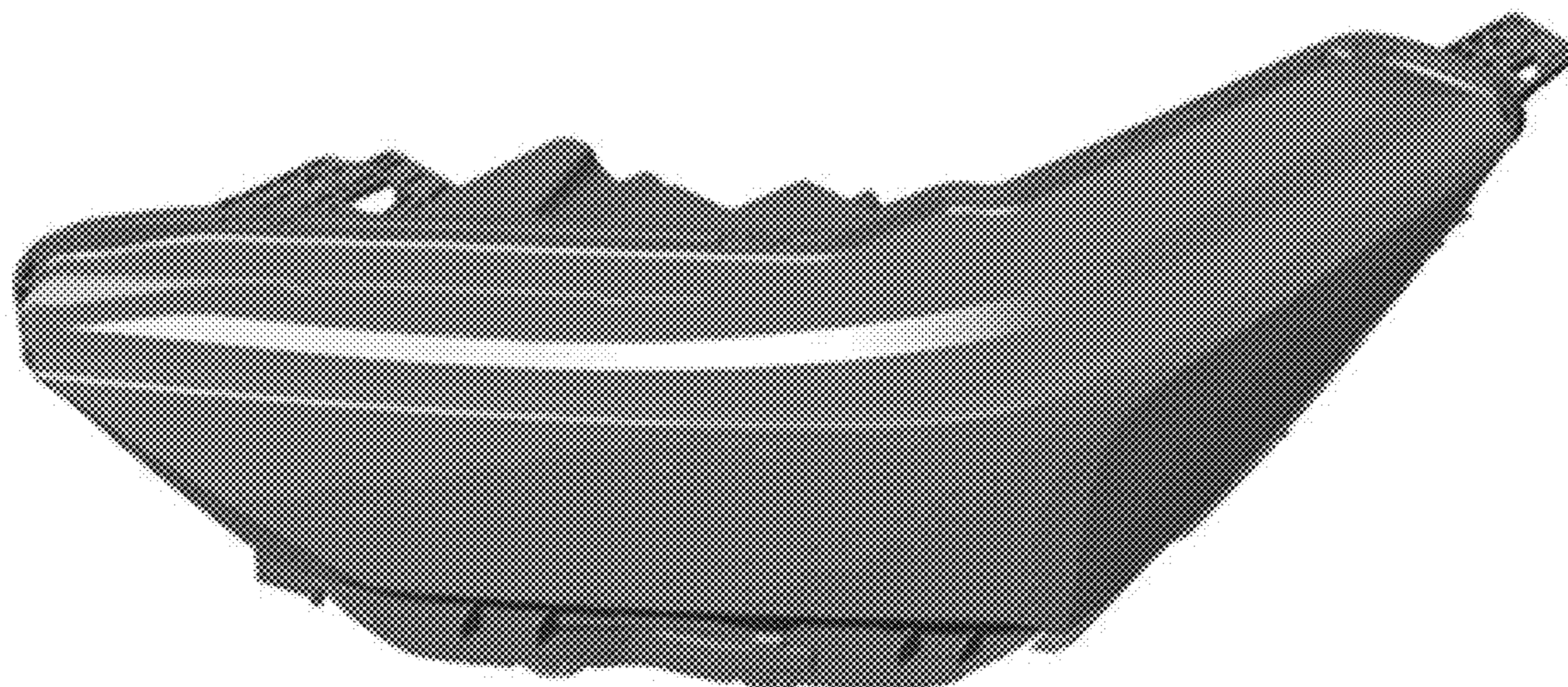
(57) **CLAIM**

The ornamental design for a headlight, as shown and described.

DESCRIPTION

FIG. 1 is a rear top left perspective view of a headlight showing my new design;
FIG. 2 is a rear top right perspective view of the design shown in FIG. 1;
FIG. 3 is a front top right perspective view of the design shown in FIG. 1;
FIG. 4 is a front top left perspective view of the design shown in FIG. 1;
FIG. 5 is a rear view of the design shown in FIG. 1;
FIG. 6 is a front view of the design shown in FIG. 1;
FIG. 7 is a right side view of the design shown in FIG. 1;
FIG. 8 is a top view of the design shown in FIG. 1; and
FIG. 9 is a bottom view of the design shown in FIG. 1.

1 Claim, 9 Drawing Sheets



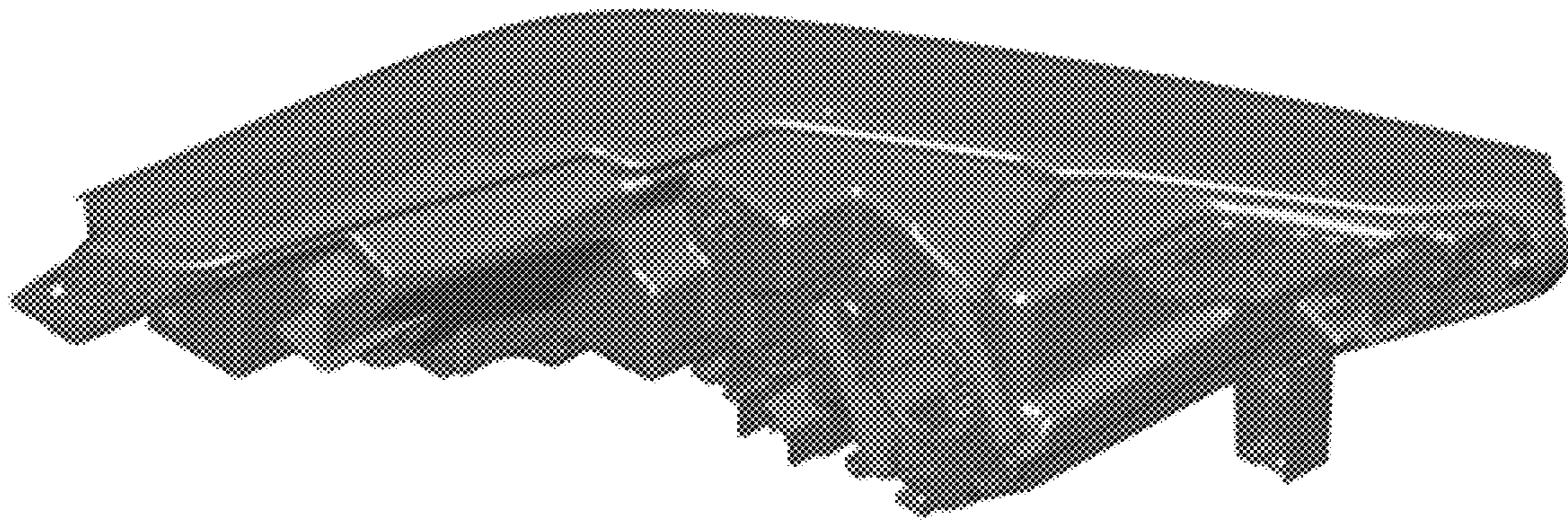


FIG. 1

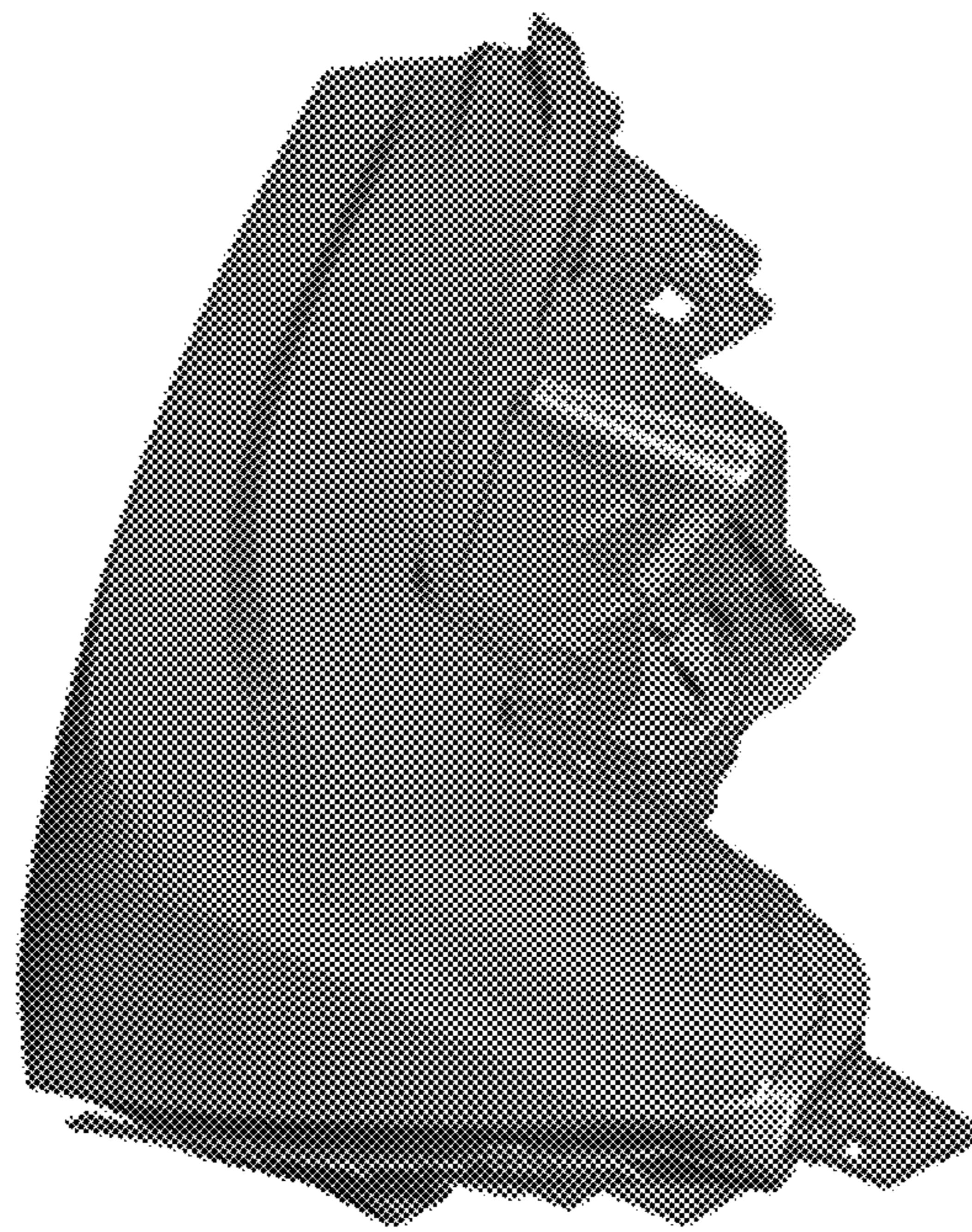


FIG. 2

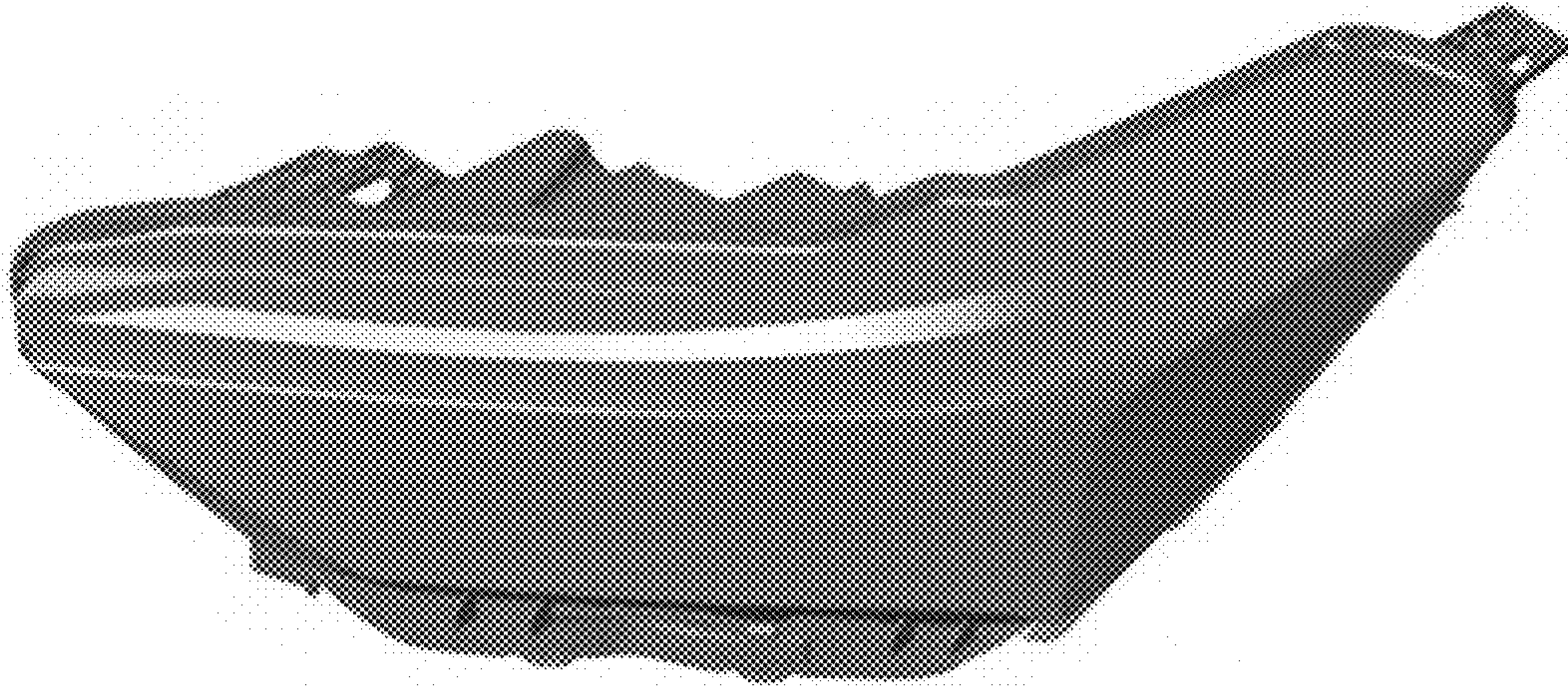


FIG. 3

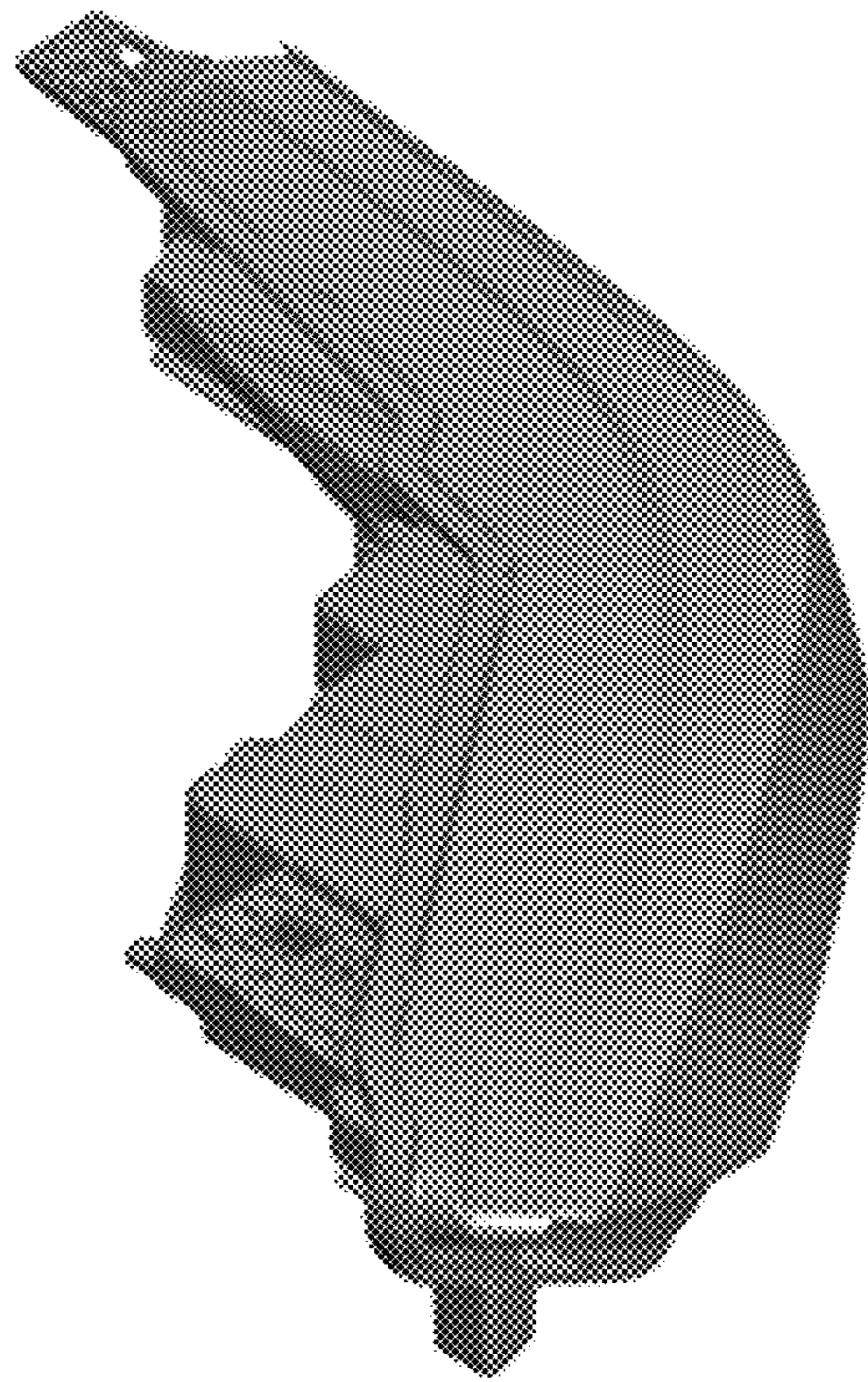


FIG. 4

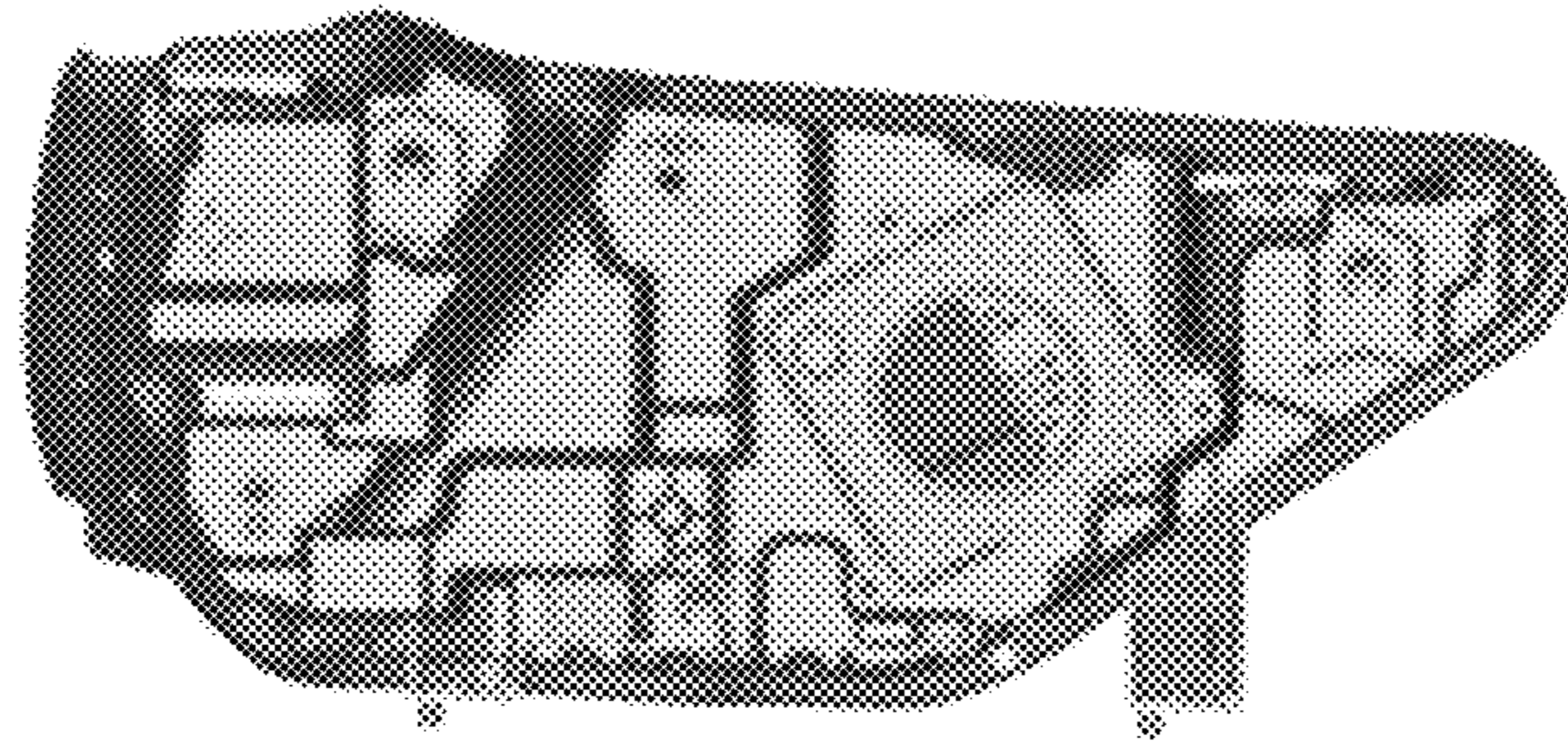


FIG. 5

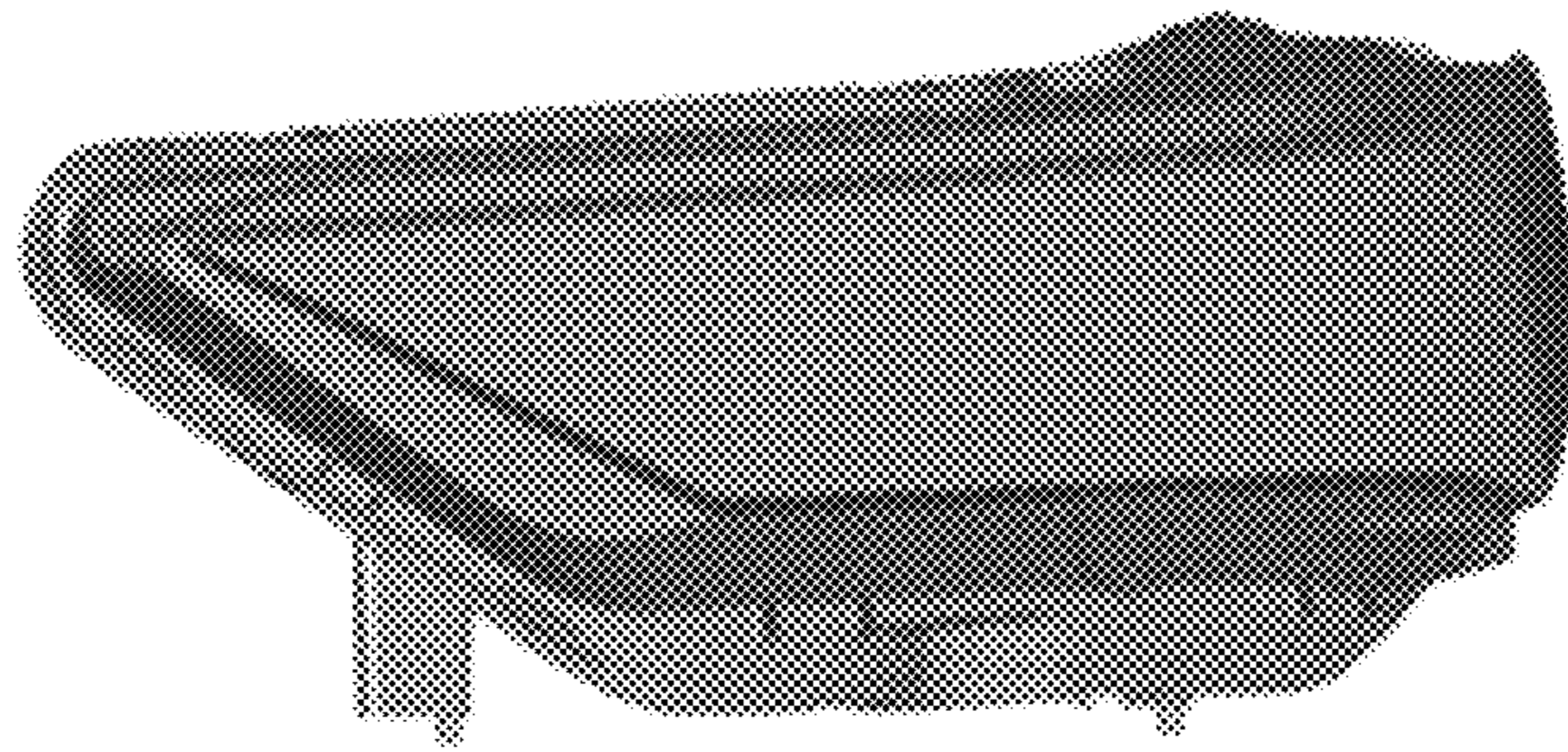


FIG. 6

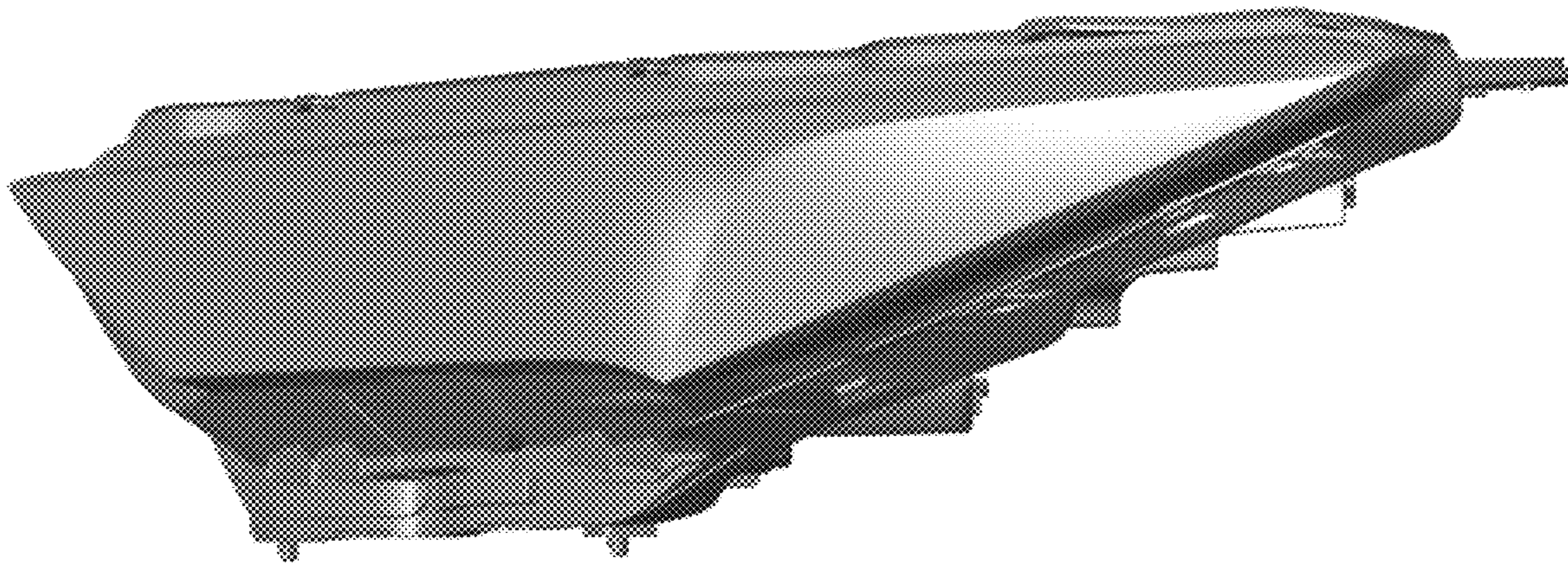


FIG. 7

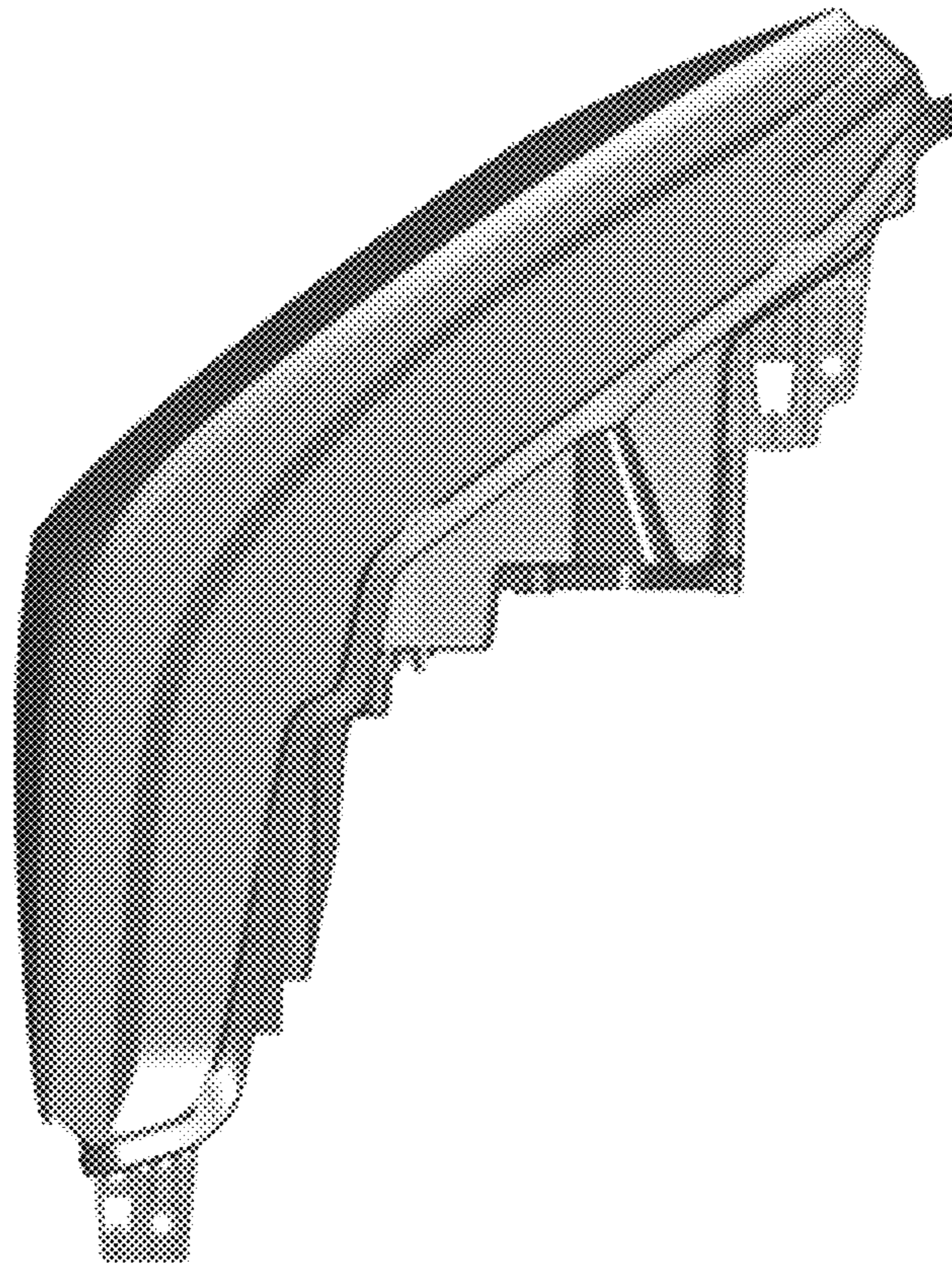


FIG. 8

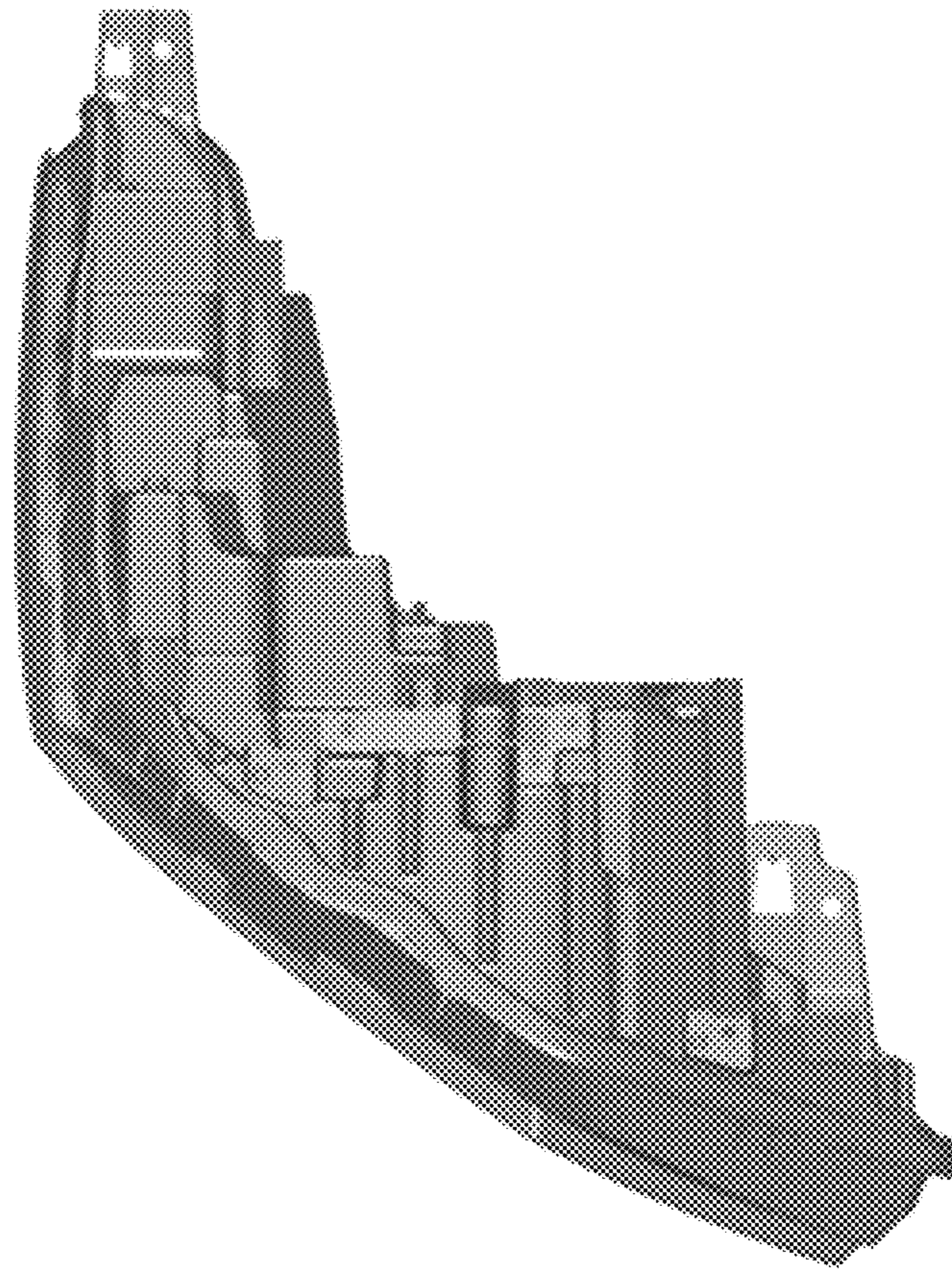


FIG. 9