



US00D876679S

(12) **United States Design Patent**  
**Hou et al.**

(10) **Patent No.:** **US D876,679 S**

(45) **Date of Patent:** **\*\* Feb. 25, 2020**

(54) **NIGHT LIGHT**

(71) Applicant: **Leedarson Lighting Co., Ltd.**, Fujian (CN)

(72) Inventors: **Shouqiang Hou**, Fujian (CN);  
**Qiaorong Chen**, Fujian (CN)

(73) Assignee: **LEEDARSON LIGHTING CO., LTD.**, Zhangzhou, Fujian (CN)

(\*\*) Term: **15 Years**

(21) Appl. No.: **29/678,617**

(22) Filed: **Jan. 30, 2019**

(51) **LOC (12) Cl.** ..... **26-05**

(52) **U.S. Cl.**  
USPC ..... **D26/26**

(58) **Field of Classification Search**  
USPC ..... D26/26, 24, 113, 118, 119, 120;  
D23/366, 367, 369; 362/640-644,  
362/650-653, 659  
CPC ..... F21S 8/035; F21V 23/06; F21V 23/0442;  
F21W 2121/00; H01R 2103/00  
See application file for complete search history.

(56) **References Cited**

**U.S. PATENT DOCUMENTS**

D352,564 S \* 11/1994 Marischen ..... D26/26  
D376,436 S \* 12/1996 Emmerling ..... D26/26  
D377,535 S \* 1/1997 Shulman ..... D26/26  
5,662,408 A \* 9/1997 Marischen ..... F21S 8/035  
362/253

D392,756 S \* 3/1998 Hanig ..... D26/26  
D403,442 S \* 12/1998 Joss ..... D26/26  
D524,461 S \* 7/2006 Molenaar ..... D26/26  
D526,422 S \* 8/2006 Yuen ..... D26/26  
D618,833 S \* 6/2010 Wei ..... D26/26  
D821,615 S \* 6/2018 Trice ..... D26/26

**FOREIGN PATENT DOCUMENTS**

CN 3525381 \* 5/2006

\* cited by examiner

*Primary Examiner* — Angela J Lee

(74) *Attorney, Agent, or Firm* — Dinsmore & Shohl LLP

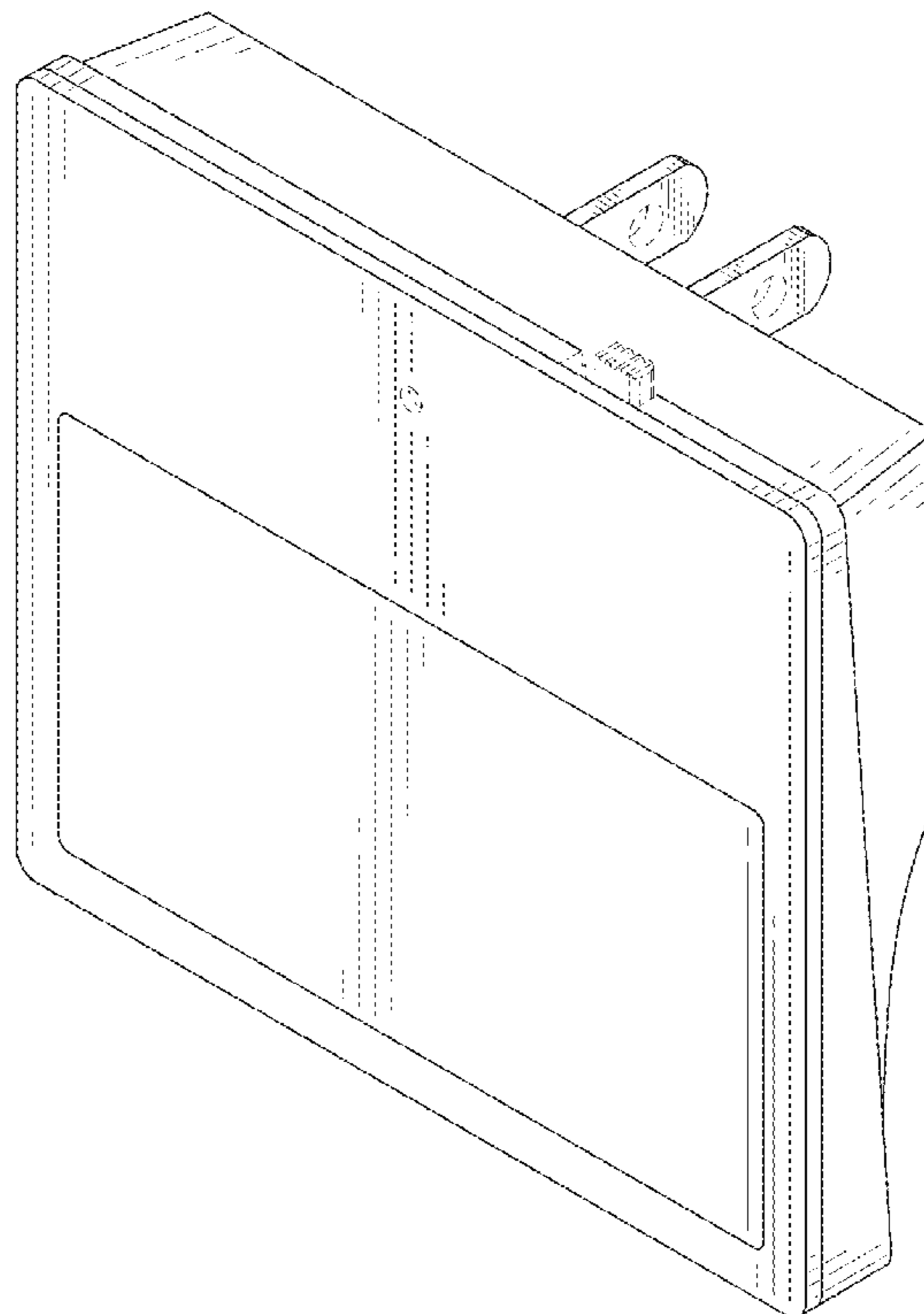
(57) **CLAIM**

The ornamental design for a night light, as shown and described.

**DESCRIPTION**

FIG. 1 is a perspective view including a face, a top, and a side the night light;  
FIG. 2 is a perspective view including an opposite face, a bottom, and an opposite side the night light;  
FIG. 3 is a front view of the night light;  
FIG. 4 is a rear view of the night light;  
FIG. 5 is a side elevation view of the night light;  
FIG. 6 is an opposite side elevation view of the night light;  
FIG. 7 is a plan view of the top of the night light; and,  
FIG. 8 is a plan view of the bottom of the night light.  
The portions of the Figures shown in phantom lines are for illustrative purpose only and form no part of the claimed design.

**1 Claim, 8 Drawing Sheets**



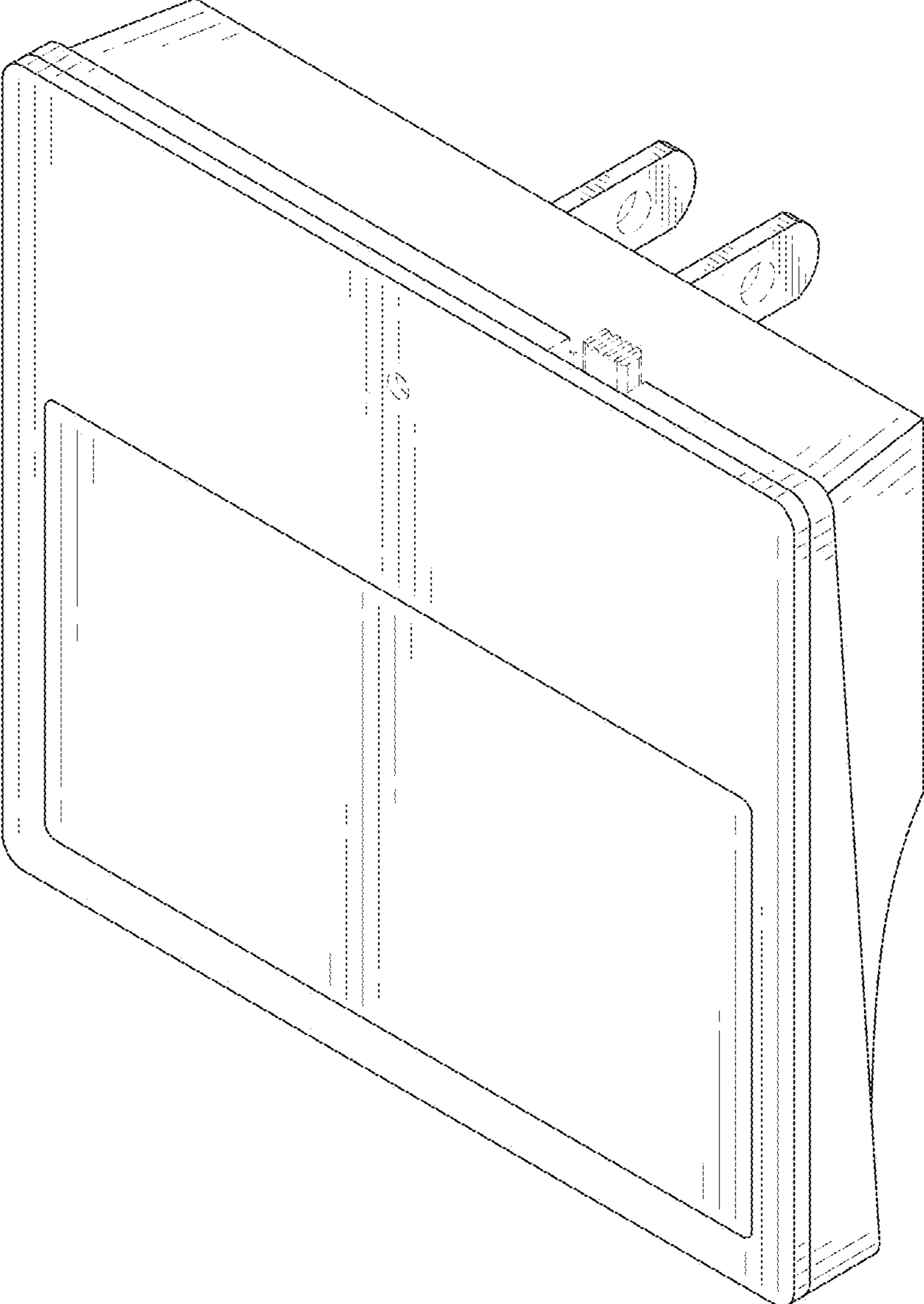


FIG. 1

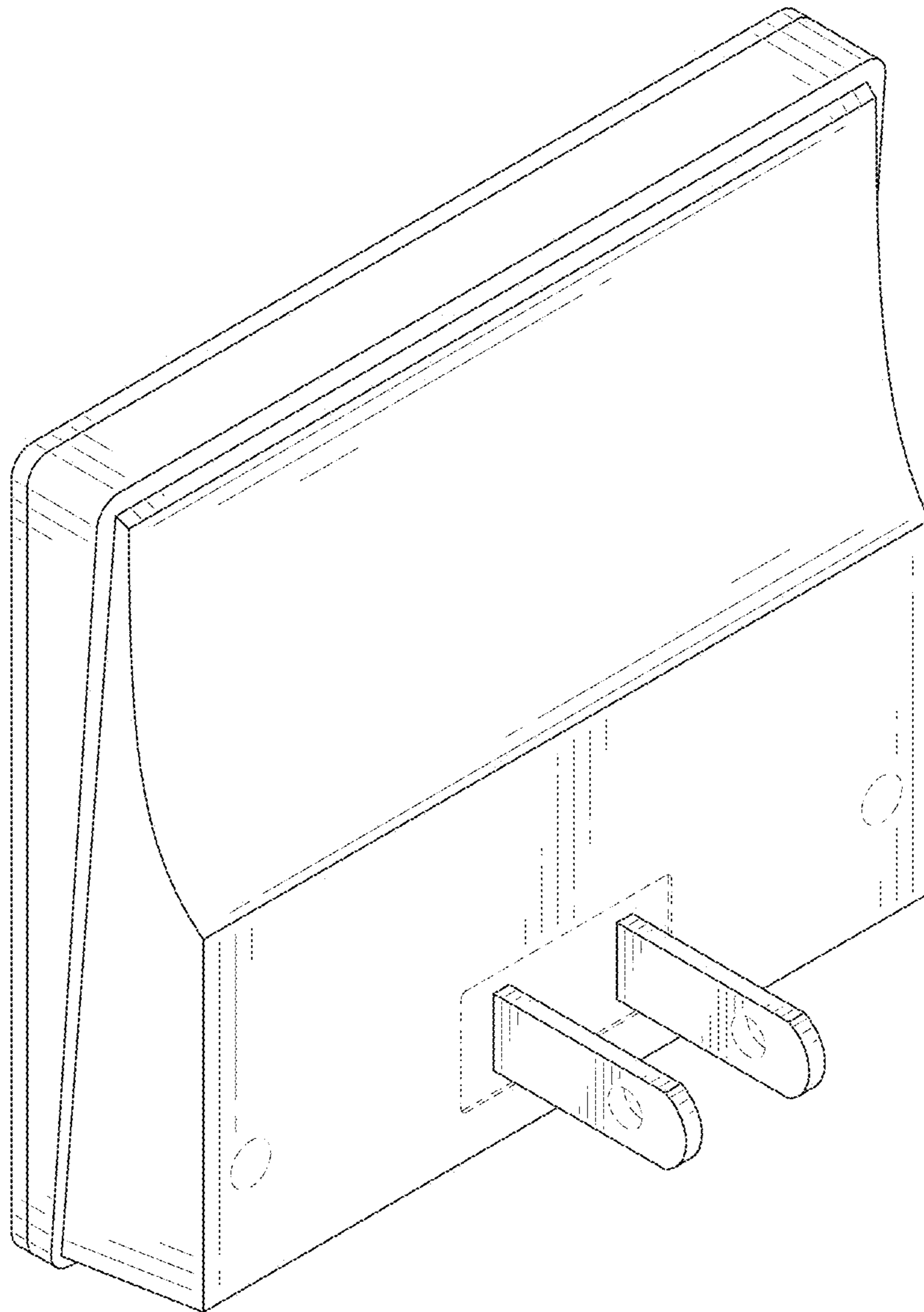


FIG. 2

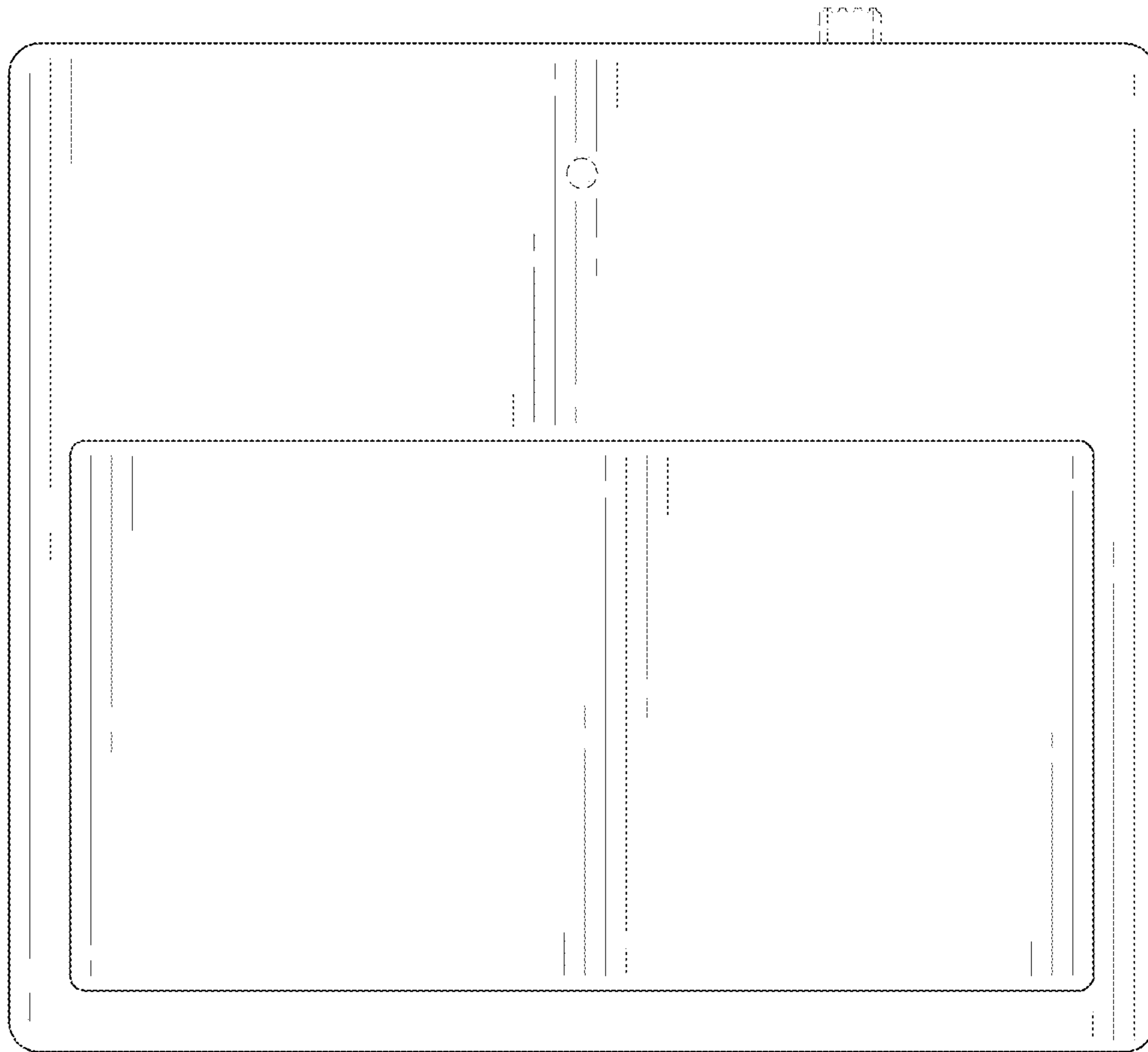


FIG. 3

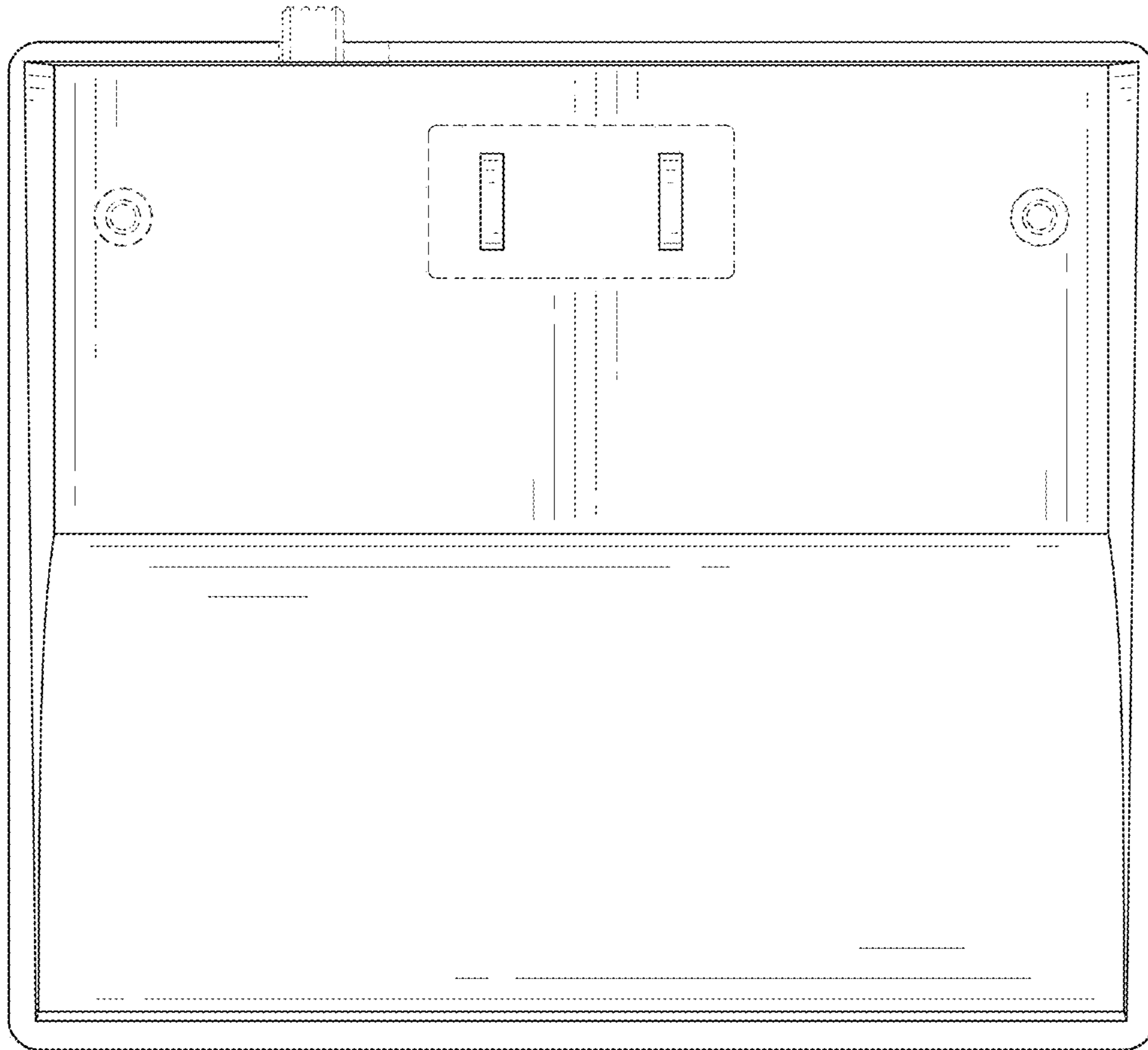


FIG. 4

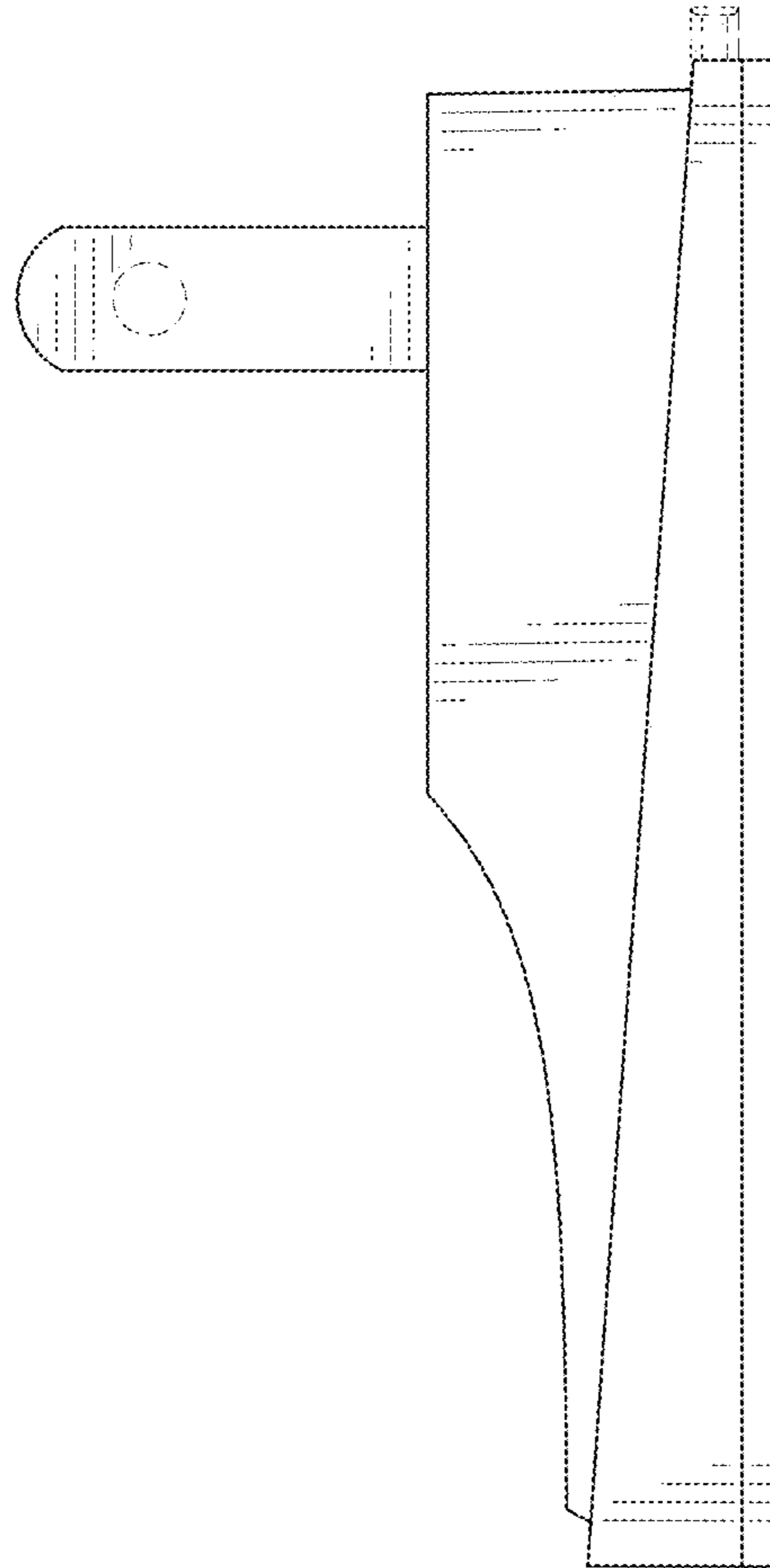


FIG. 5

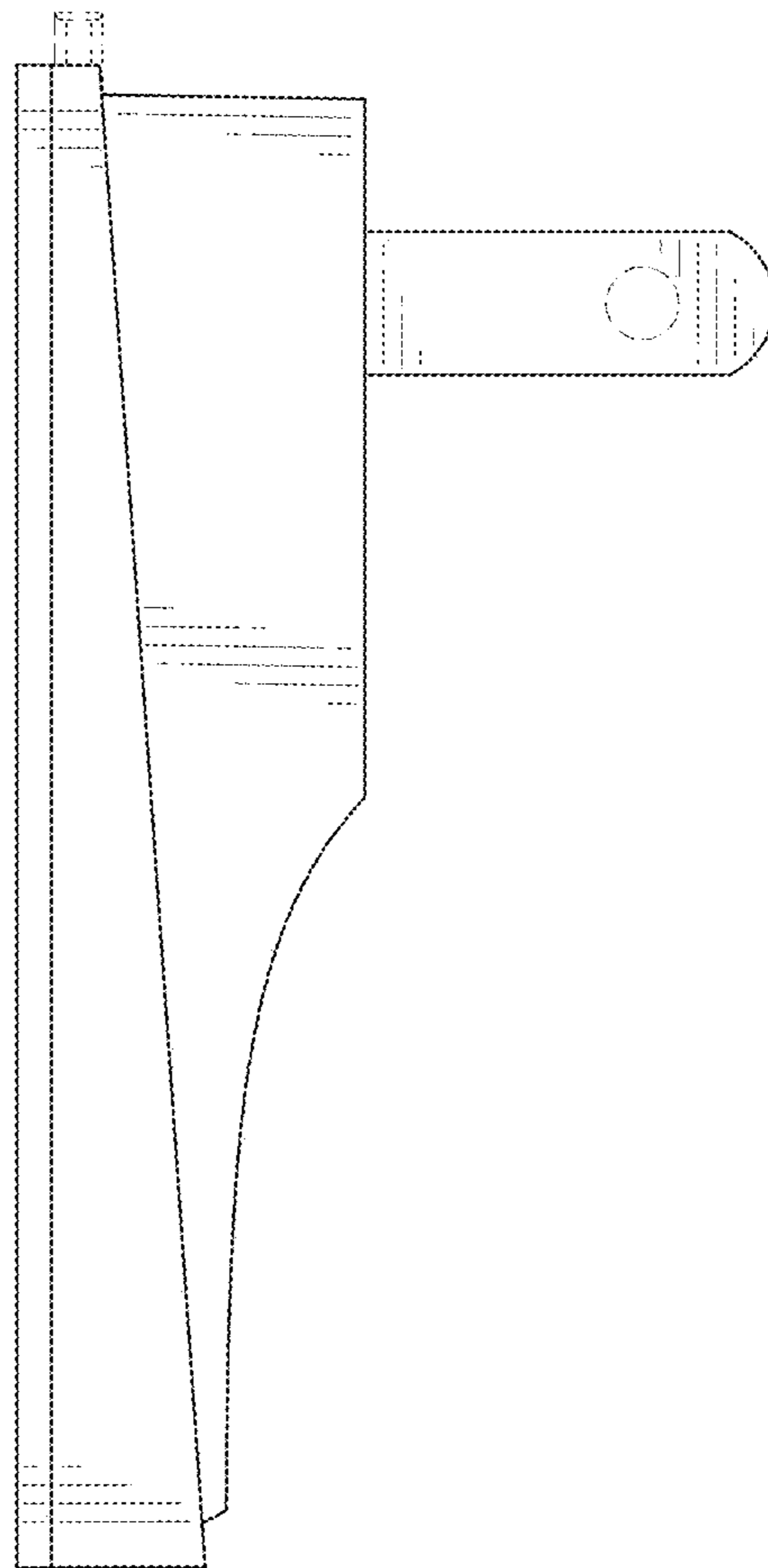


FIG. 6

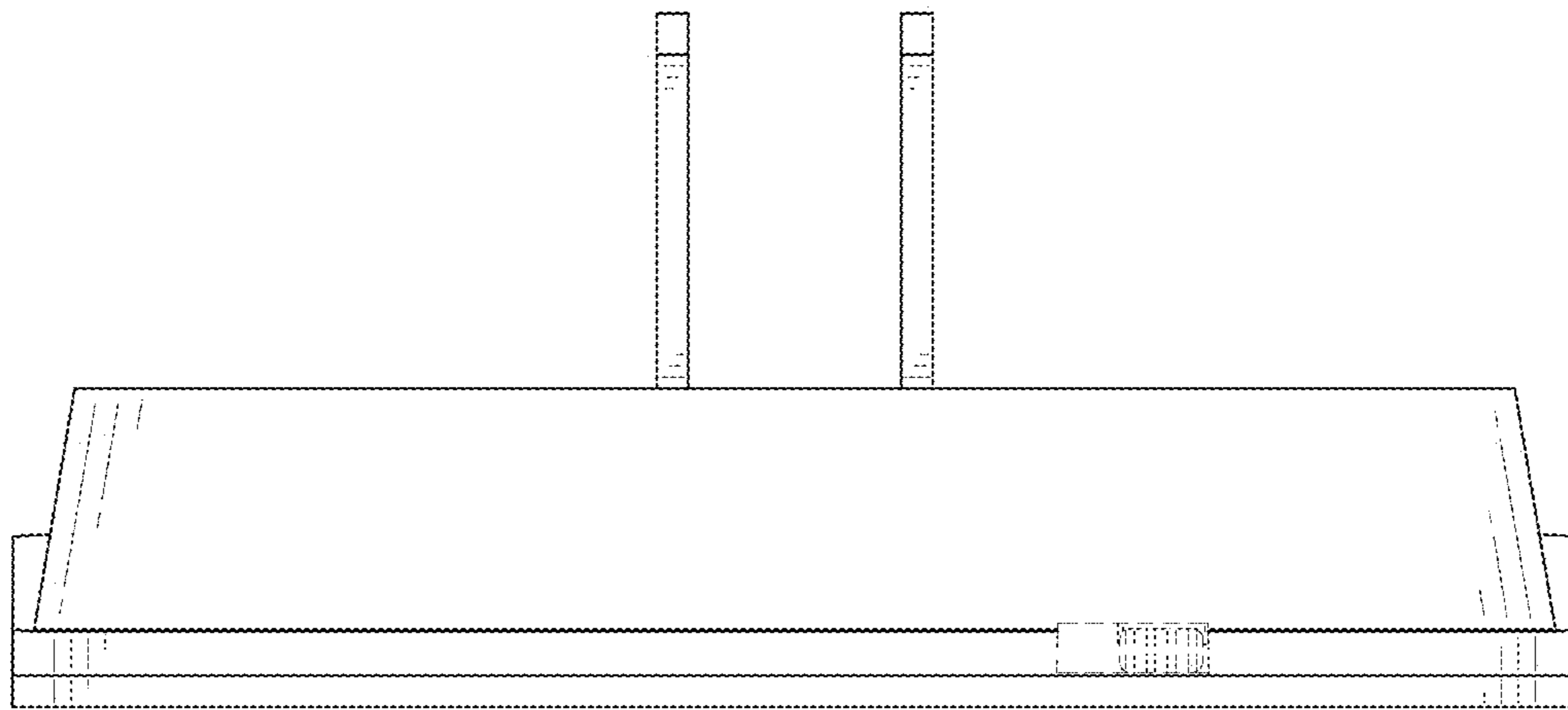


FIG. 7



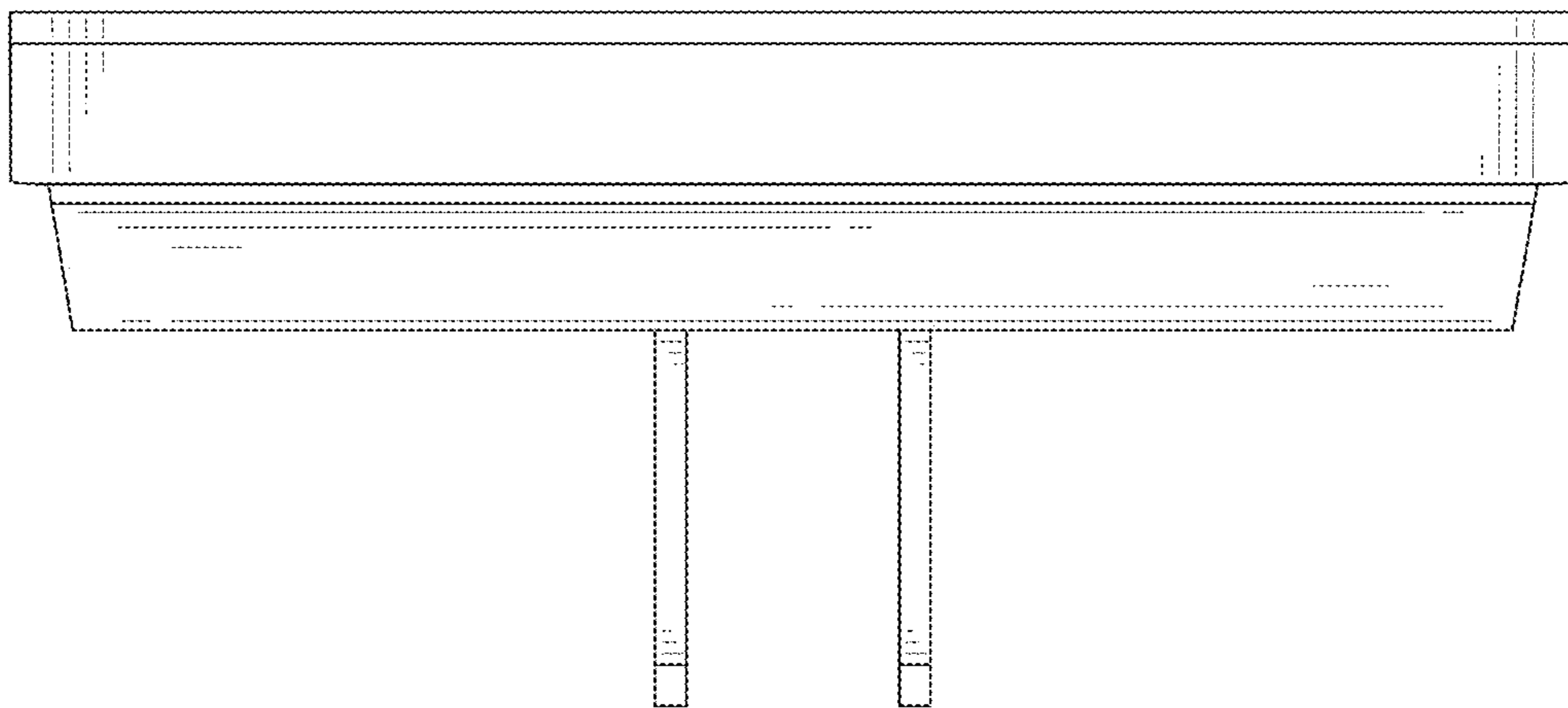


FIG. 8