



US00D876678S

(12) **United States Design Patent**  
**Chen et al.**

(10) **Patent No.:** **US D876,678 S**  
(45) **Date of Patent:** **\*\* Feb. 25, 2020**

(54) **NIGHT LIGHT**

(71) Applicant: **Leedarson Lighting Co., Ltd.**, Fujian (CN)

(72) Inventors: **Qiaorong Chen**, Fujian (CN);  
**Shouqiang Hou**, Fujian (CN)

(73) Assignee: **LEEDARSON LIGHTING CO., LTD.**, Zhangzhou, Fujian (CN)

(\*\*) Term: **15 Years**

(21) Appl. No.: **29/678,614**

(22) Filed: **Jan. 30, 2019**

(51) **LOC (12) Cl.** ..... **26-05**

(52) **U.S. Cl.**  
USPC ..... **D26/26**

(58) **Field of Classification Search**  
USPC ..... D26/26, 24, 113, 118, 119, 120;  
D23/366, 367, 369; 362/640-644,  
362/650-653, 659  
CPC ..... F21S 8/035; F21V 23/06; F21V 23/0442;  
F21W 2121/00; H01R 2103/00  
See application file for complete search history.

(56) **References Cited**

**U.S. PATENT DOCUMENTS**

D350,407 S *	9/1994	Yuen	.....	D26/26
D366,127 S *	1/1996	Yuen	.....	D26/26
D375,808 S *	11/1996	Fang	.....	D26/26
D378,617 S *	3/1997	Yuen	.....	D26/26
D403,442 S *	12/1998	Joss	.....	D26/26
D426,657 S *	6/2000	Joss	.....	D26/26

D457,974 S *	5/2002	Piepgras	.....	D26/26
D506,403 S *	6/2005	Kaczmarek	.....	D10/104.1
D644,362 S *	8/2011	Kingston	.....	D26/26
D645,175 S *	9/2011	Stolte	.....	D26/26
D715,468 S *	10/2014	Dai	.....	D26/26
D772,443 S *	11/2016	Walker	.....	D26/26
D813,429 S *	3/2018	Li	.....	D26/26

\* cited by examiner

*Primary Examiner* — Angela J Lee

(74) *Attorney, Agent, or Firm* — Dinsmore & Shohl LLP

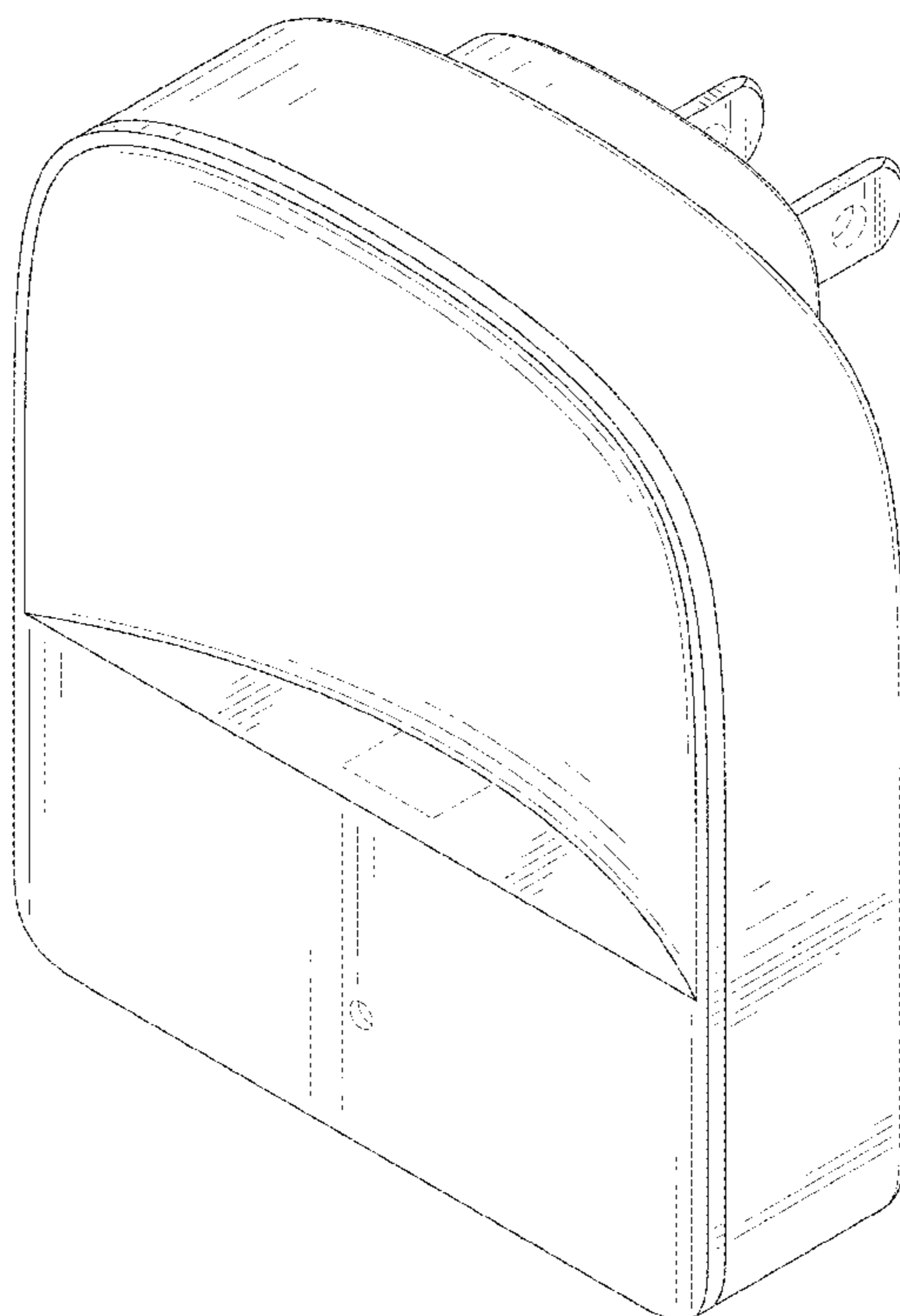
(57) **CLAIM**

The ornamental design for a night light, as shown and described.

**DESCRIPTION**

FIG. 1 is a perspective view including a face, a top, and a side the night light;  
FIG. 2 is a perspective view including an opposite face, a bottom, and an opposite side the night light;  
FIG. 3 is an elevation view of the face of the night light;  
FIG. 4 is an elevation view of the opposite face of the night light;  
FIG. 5 is an elevation view of a side of the night light;  
FIG. 6 is an elevation view of the opposite side of the night light;  
FIG. 7 is a plan view of the top of the night light; and,  
FIG. 8 is a plan view of the bottom of the night light.  
The portions of the Figures shown in phantom lines are for illustrative purpose only and form no part of the claimed design.

**1 Claim, 8 Drawing Sheets**



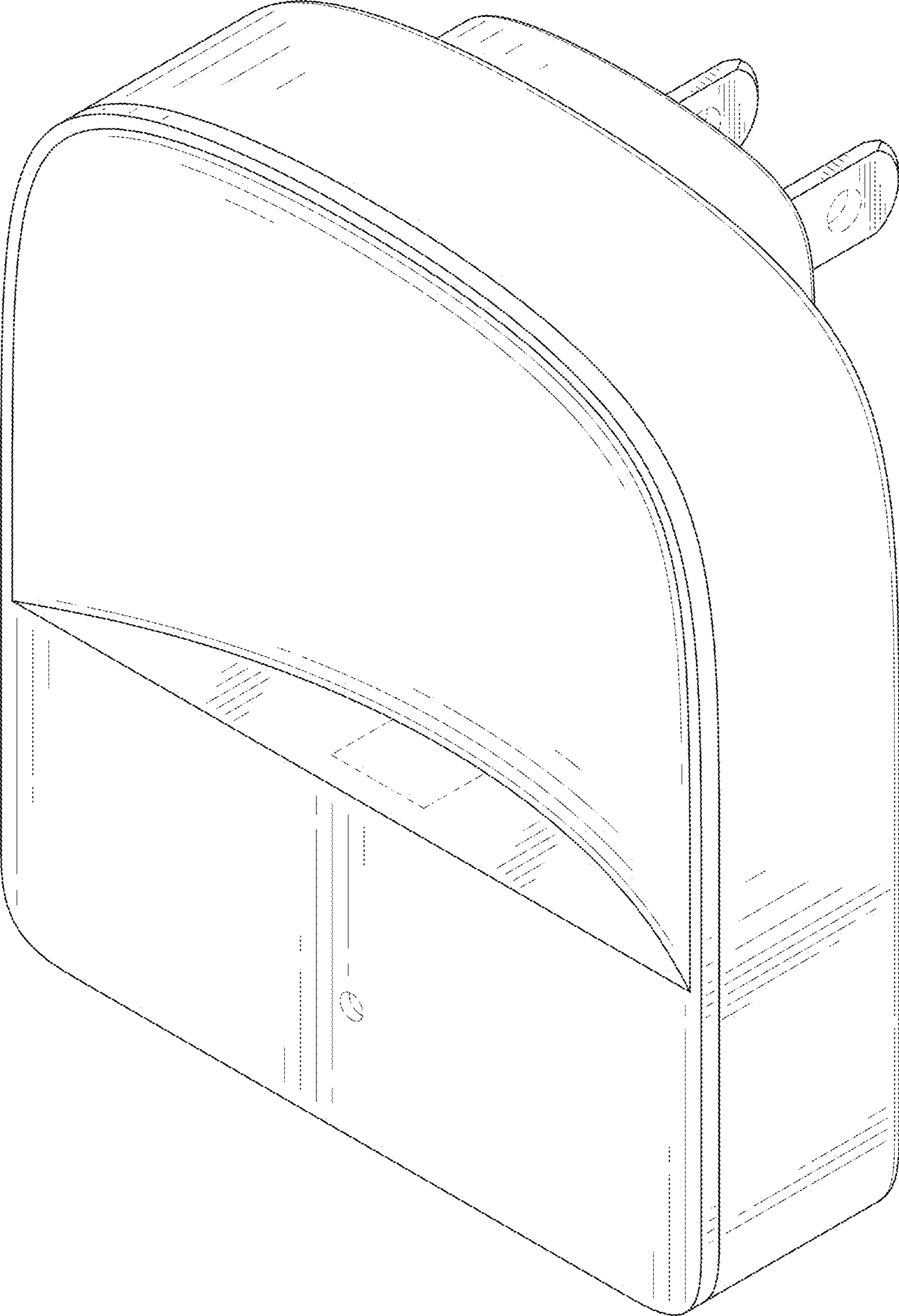


FIG. 1

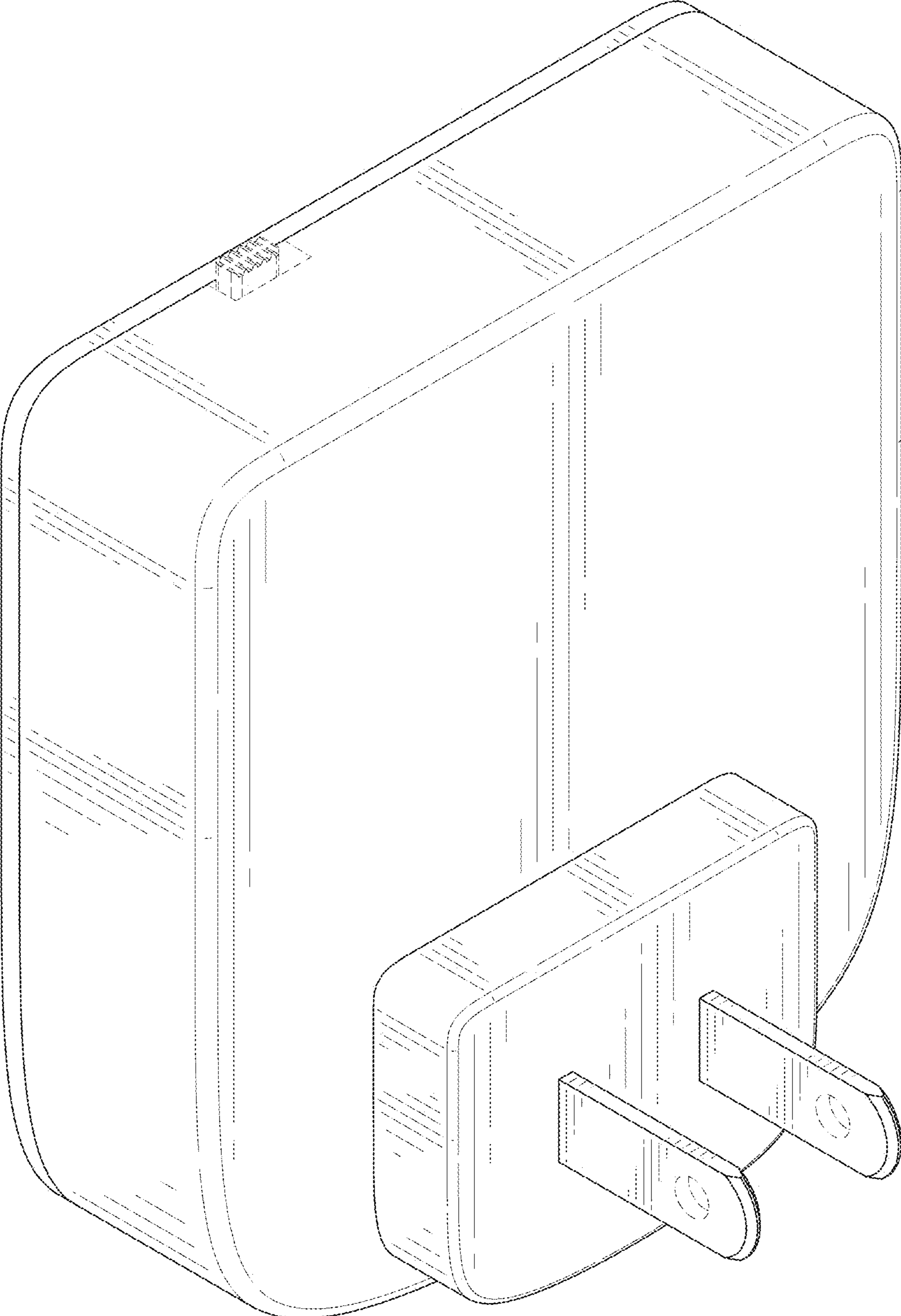


FIG. 2

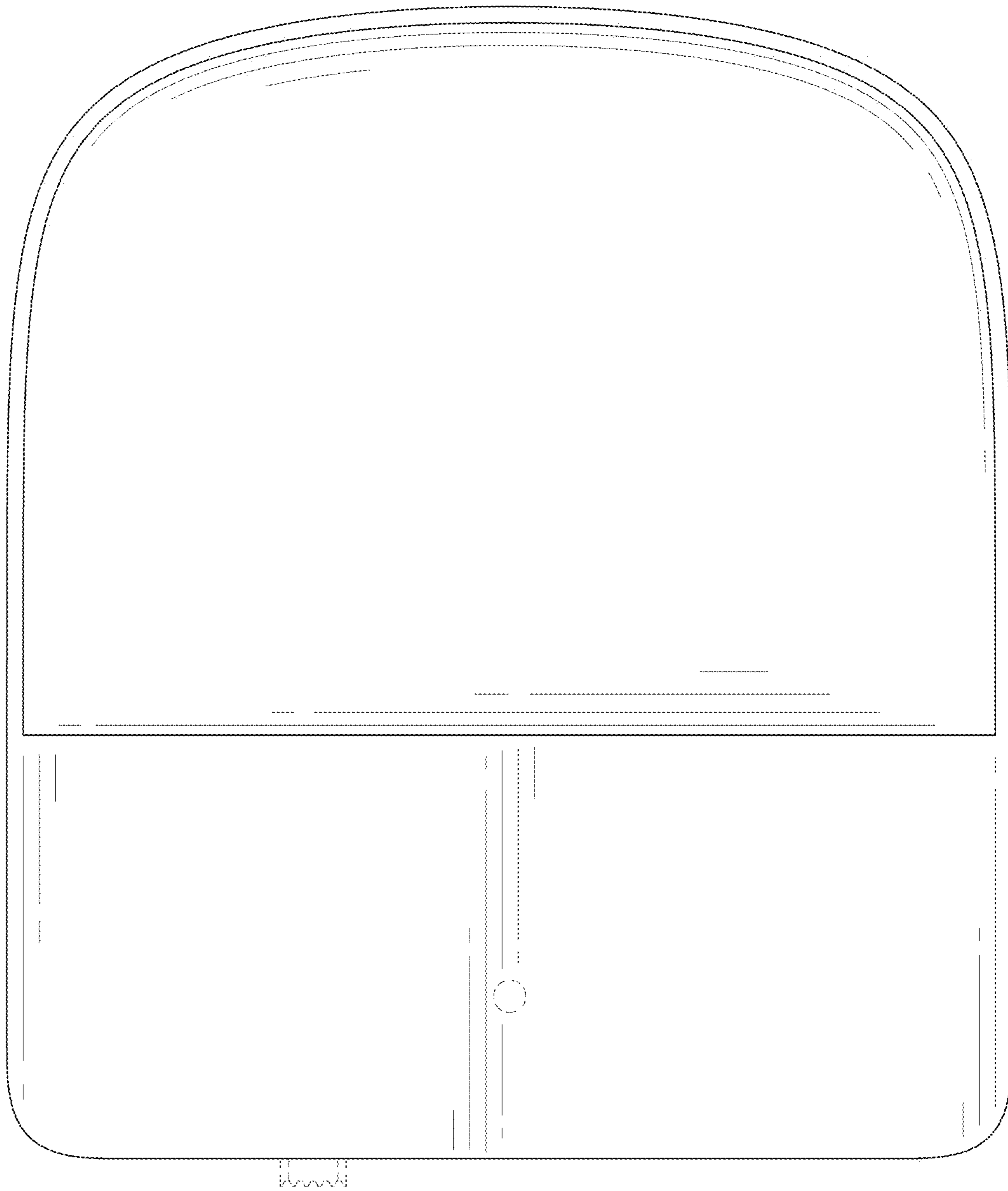


FIG. 3

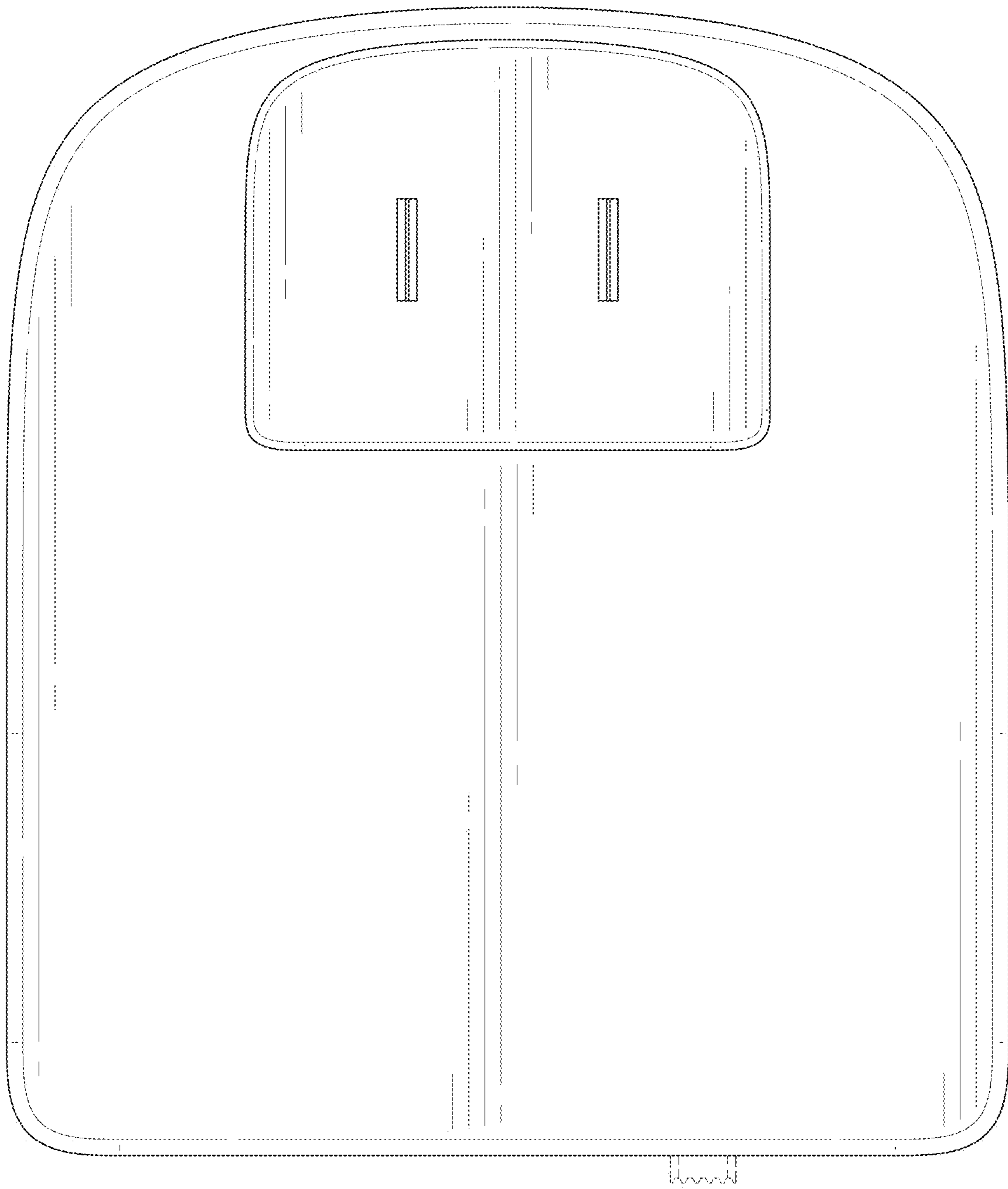


FIG. 4



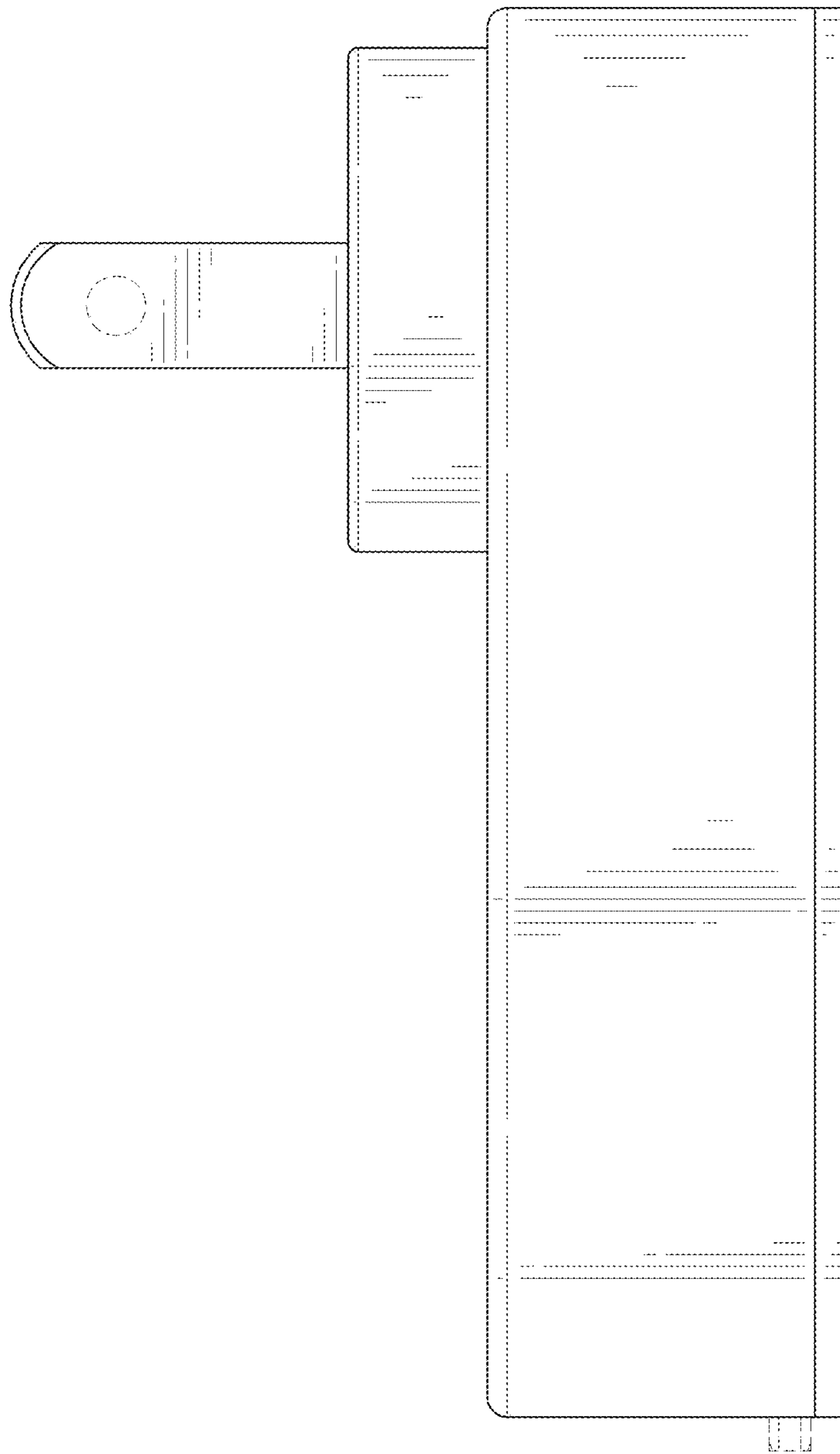


FIG. 5

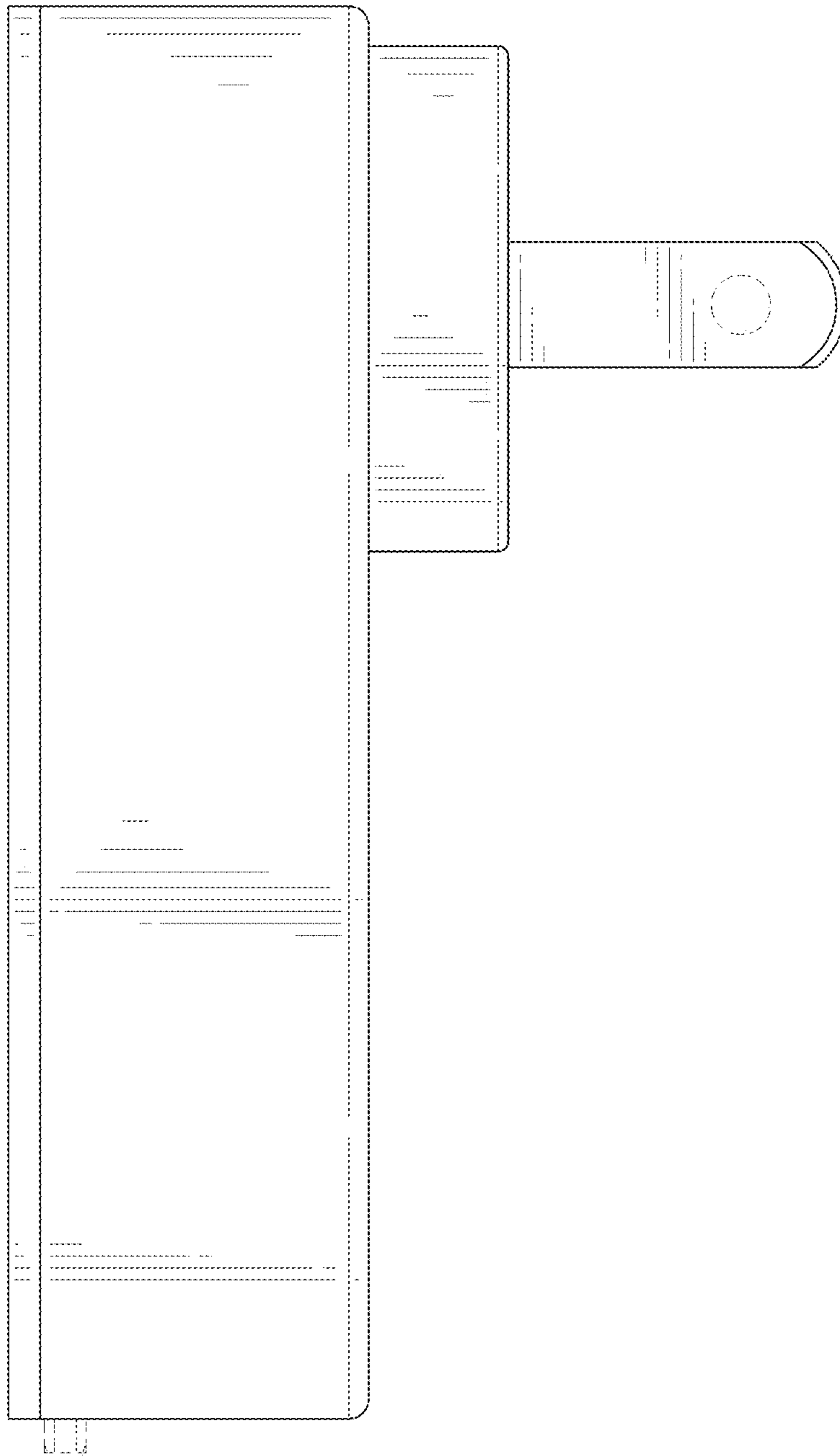


FIG. 6

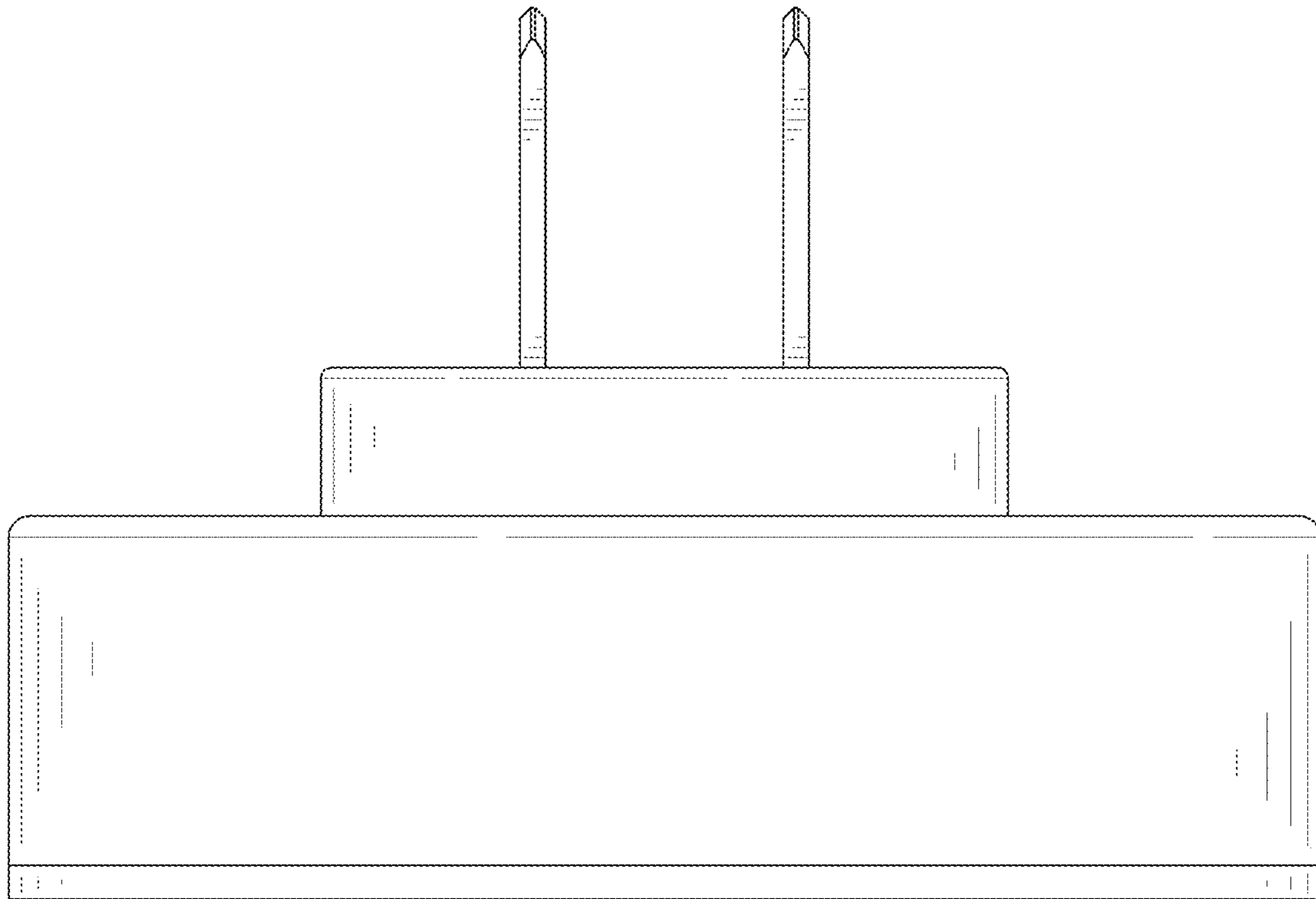


FIG. 7



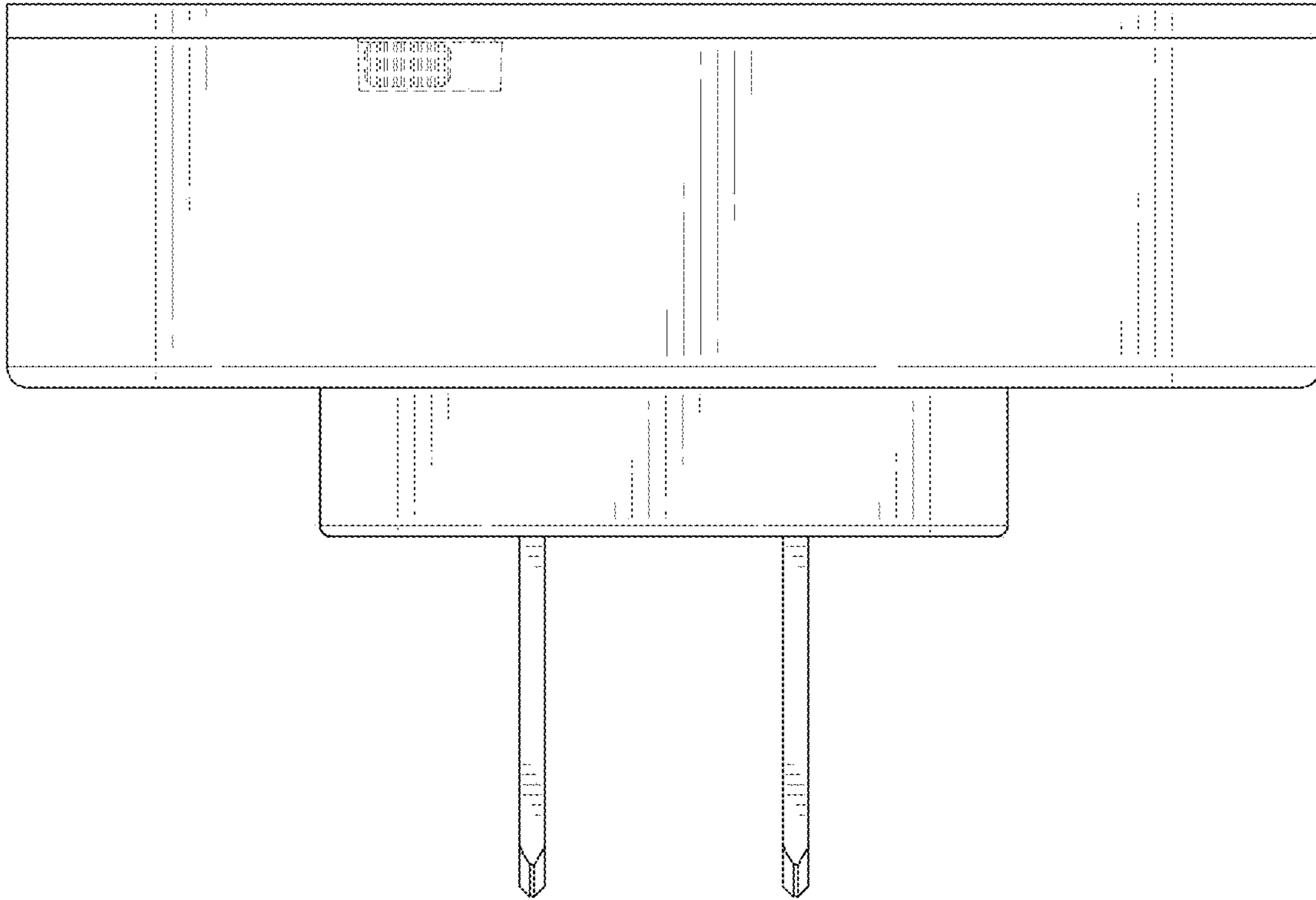


FIG. 8