



US00D876676S

(12) **United States Design Patent**  
**Chen et al.**

(10) **Patent No.:** **US D876,676 S**  
(45) **Date of Patent:** **\*\* Feb. 25, 2020**

- (54) **NIGHT LIGHT**
- (71) Applicant: **Leedarson Lighting Co., Ltd.**, Fujian (CN)
- (72) Inventors: **Qiaorong Chen**, Fujian (CN);  
**Shouqiang Hou**, Fujian (CN)
- (73) Assignee: **LEEDARSON LIGHTING CO., LTD.**, Zhangzhou, Fujian (CN)
- (\*\*) Term: **15 Years**
- (21) Appl. No.: **29/678,600**
- (22) Filed: **Jan. 30, 2019**
- (51) **LOC (12) Cl.** ..... **26-05**
- (52) **U.S. Cl.**  
USPC ..... **D26/26**
- (58) **Field of Classification Search**  
USPC ..... D26/26, 24, 113, 118, 119, 120;  
D23/366, 367, 369; 362/640-644,  
362/650-653, 659  
CPC ..... F21S 8/035; F21V 23/06; F21V 23/0442;  
F21W 2121/00; H01R 2103/00  
See application file for complete search history.

D601,281 S *	9/2009	Howard	.....	D26/26
D601,282 S *	9/2009	Howard	.....	D26/26
D614,802 S *	4/2010	Hsieh	.....	D26/118
D644,362 S *	8/2011	Kingston	.....	D26/26
D685,076 S *	6/2013	Gordon	.....	D23/366
D698,430 S *	1/2014	Dobler	.....	D23/366
D716,929 S *	11/2014	Gobber	.....	A61L 9/12 D23/366

**FOREIGN PATENT DOCUMENTS**

IN 273440-0001 \* 12/2015

\* cited by examiner

*Primary Examiner* — Angela J Lee

(74) *Attorney, Agent, or Firm* — Dinsmore & Shohl LLP

(57) **CLAIM**

The ornamental design for a night light, as shown and described.

**DESCRIPTION**

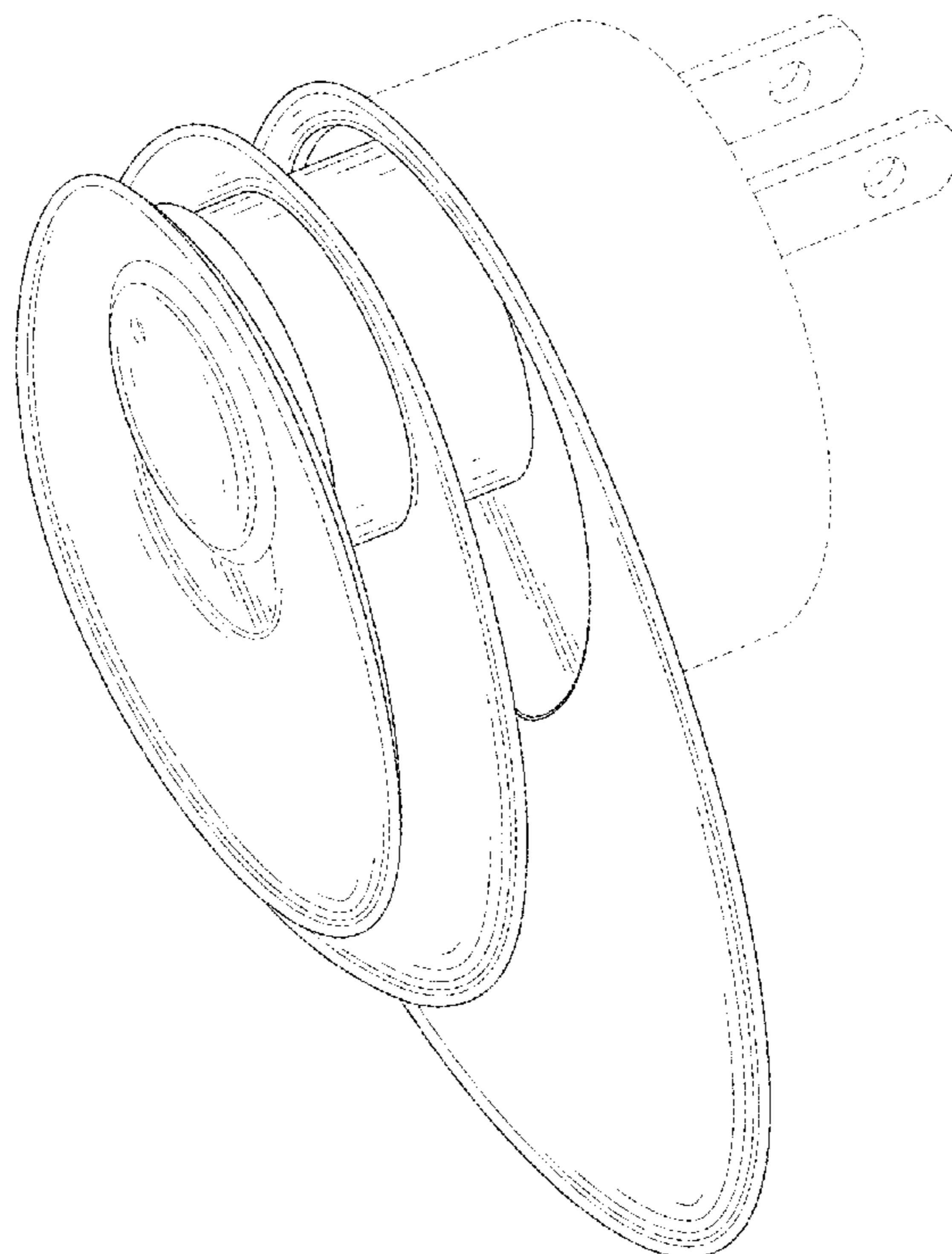
FIG. 1 is a perspective view including a face, a top, and a side the night light;  
 FIG. 2 is a perspective view including an opposite face, a bottom, and an opposite side the night light;  
 FIG. 3 is a front view of the night light;  
 FIG. 4 is a rear view of the night light;  
 FIG. 5 is a side elevation view of the night light;  
 FIG. 6 is an opposite side elevation view of the night light;  
 FIG. 7 is a plan view of the top of the night light; and,  
 FIG. 8 is a plan view of the bottom of the night light.  
 The portions of the Figures shown in phantom lines are for illustrative purpose only and form no part of the claimed design.

(56) **References Cited**

**U.S. PATENT DOCUMENTS**

D336,144 S *	6/1993	Galati	.....	D26/26
D347,288 S *	5/1994	Ham	.....	D26/26
D424,721 S *	5/2000	Garrity	.....	D26/26
D465,859 S *	11/2002	Lo	.....	D26/26
D525,375 S *	7/2006	Funck	.....	D26/26
D551,362 S *	9/2007	Ottosson	.....	D26/26

**1 Claim, 8 Drawing Sheets**



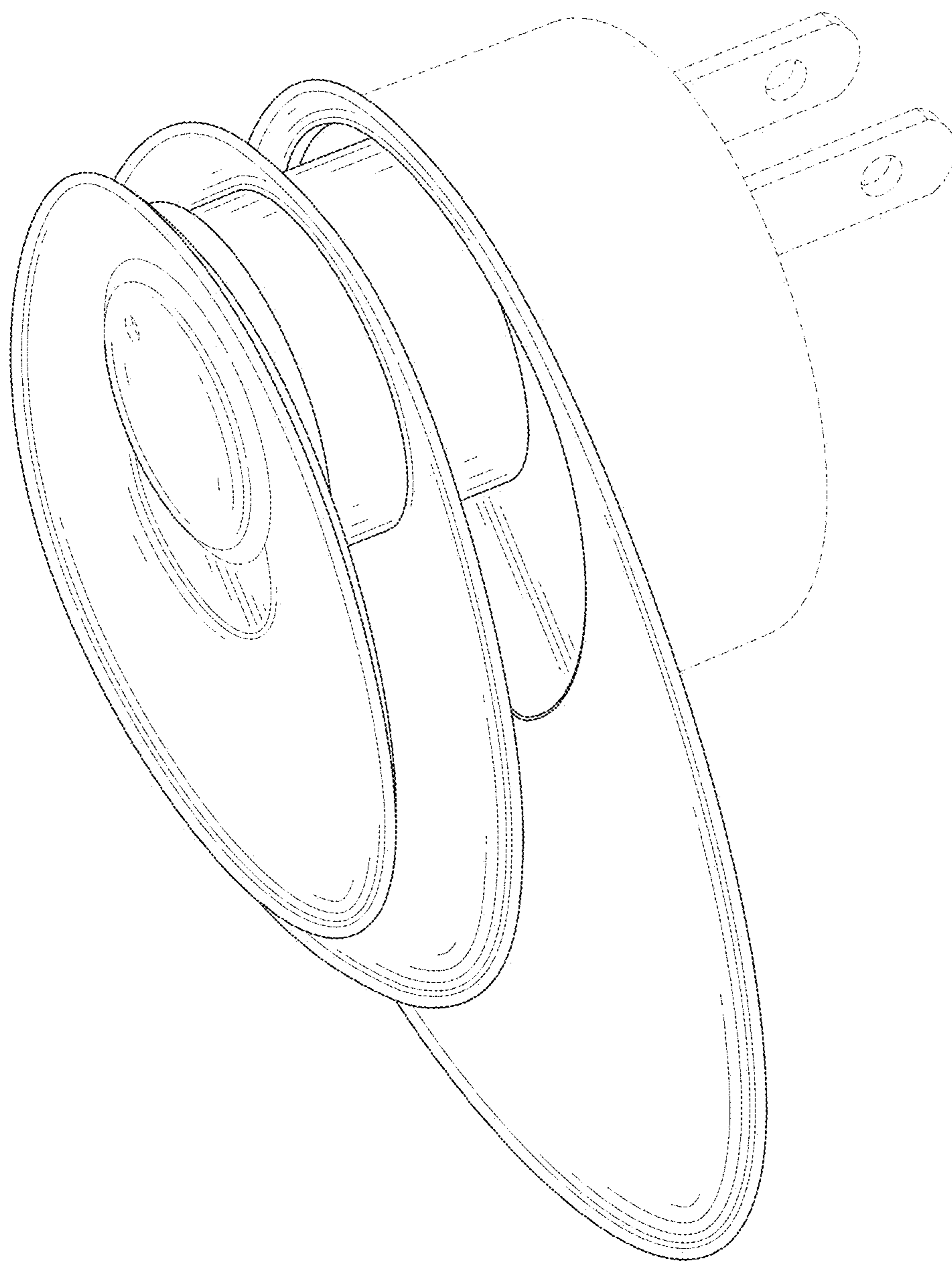


FIG. 1

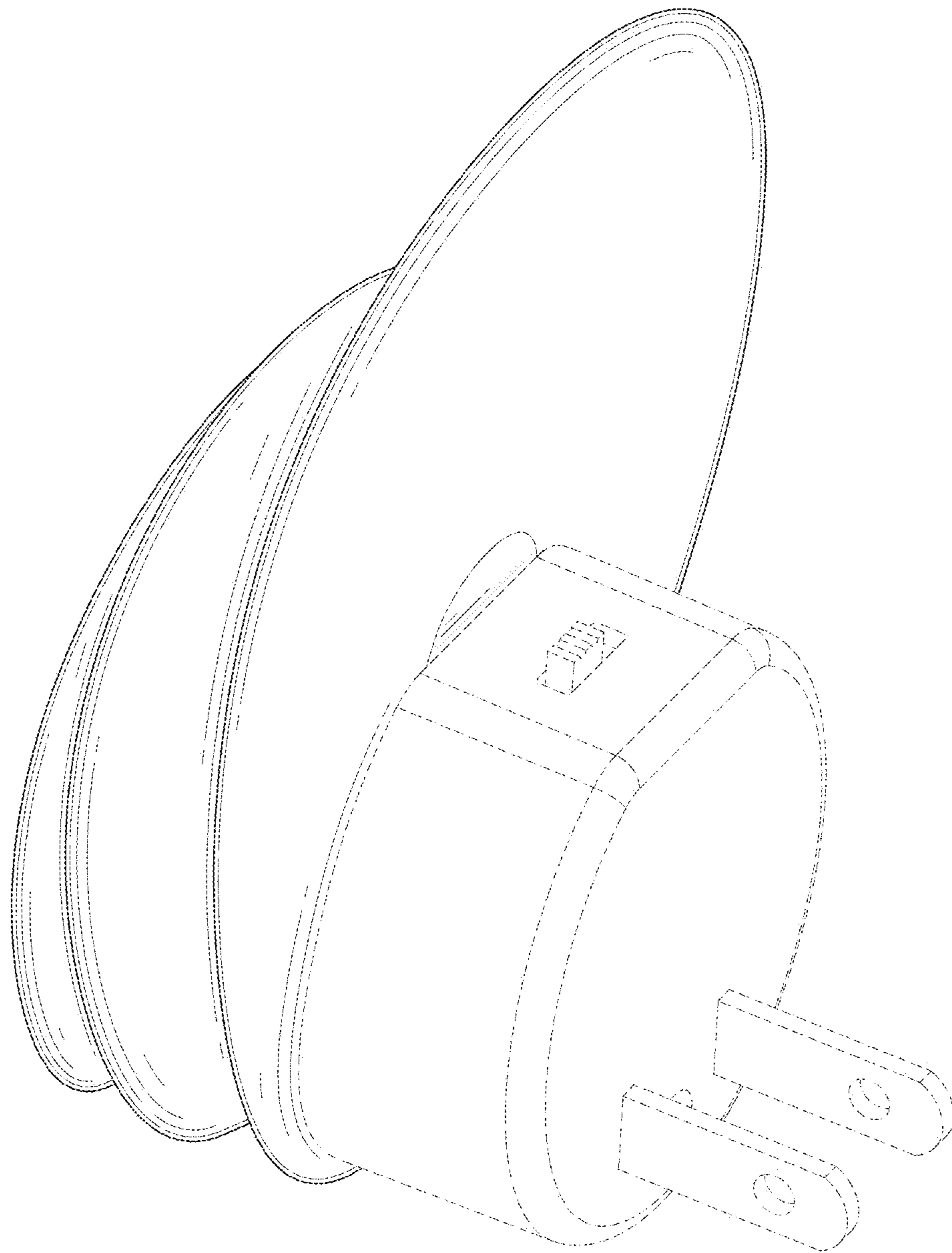


FIG. 2

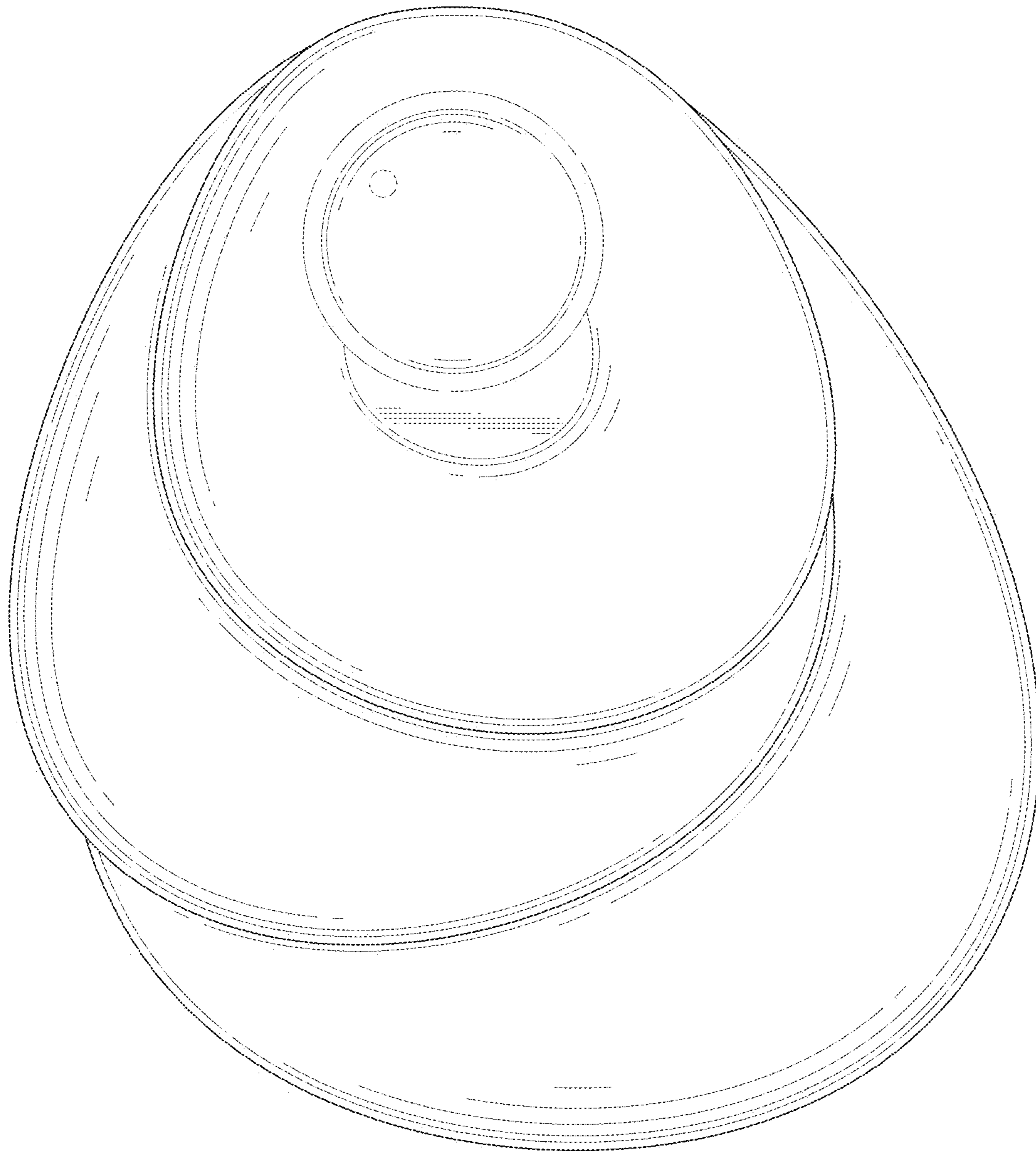


FIG. 3

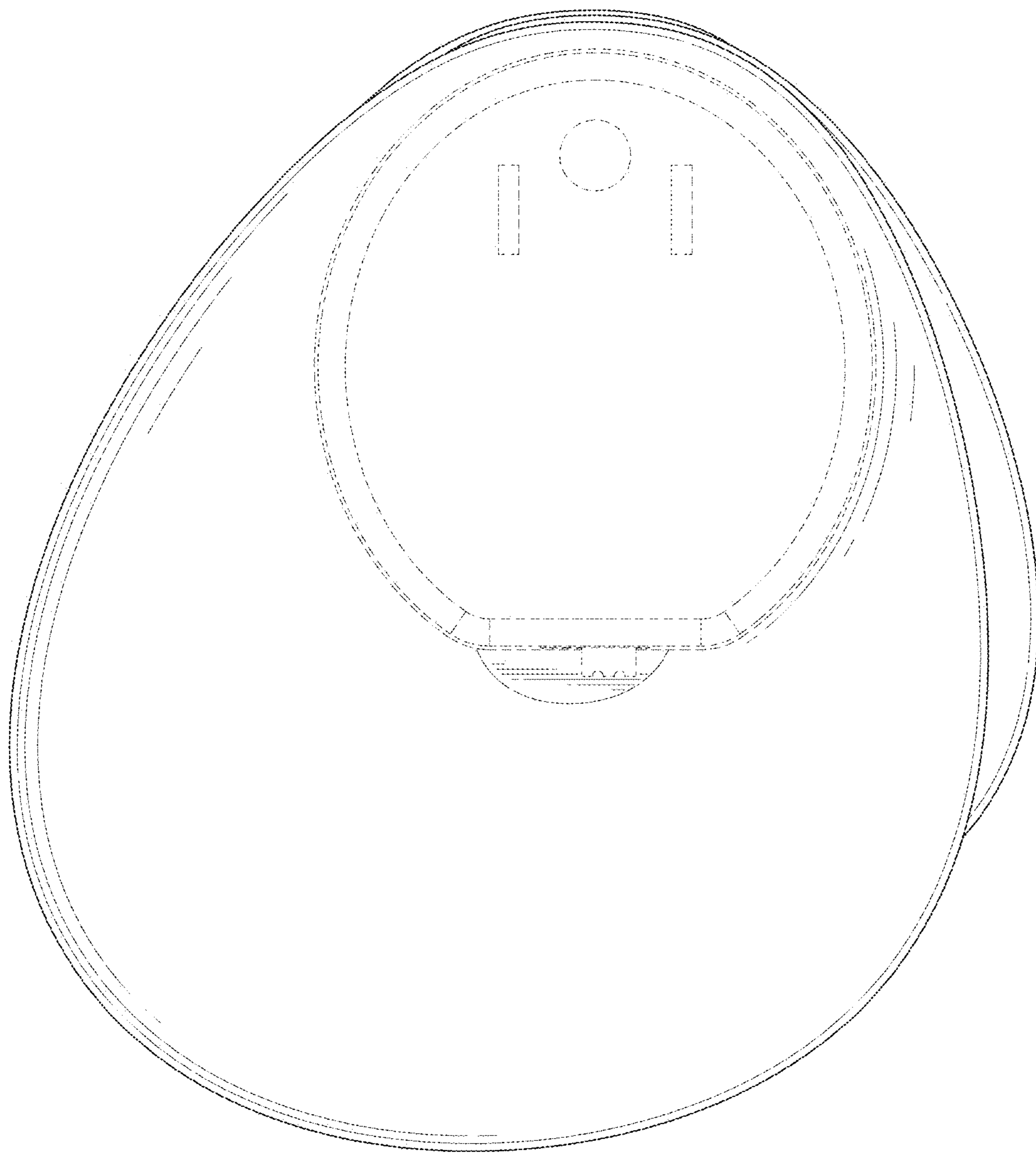


FIG. 4

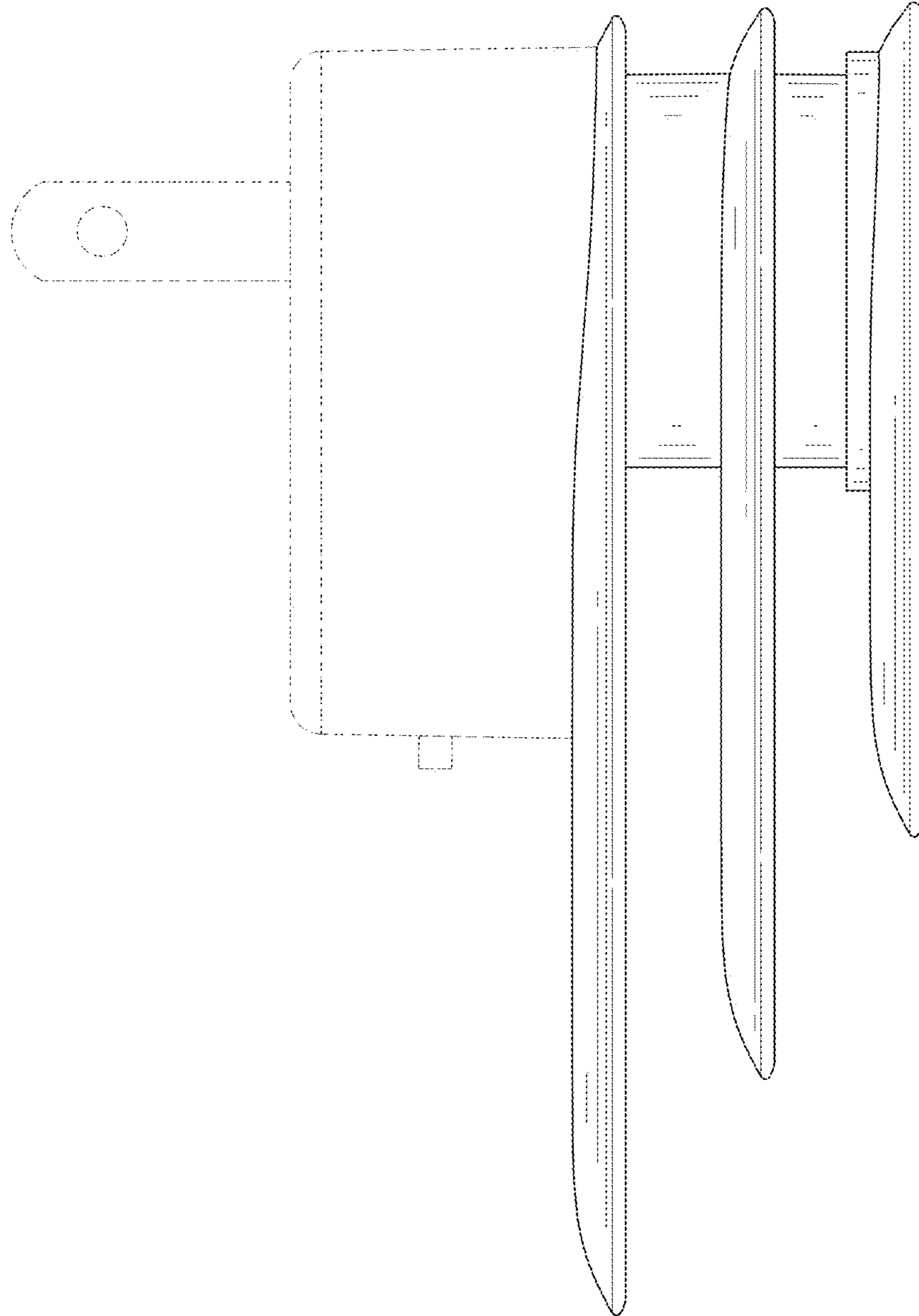


FIG. 5

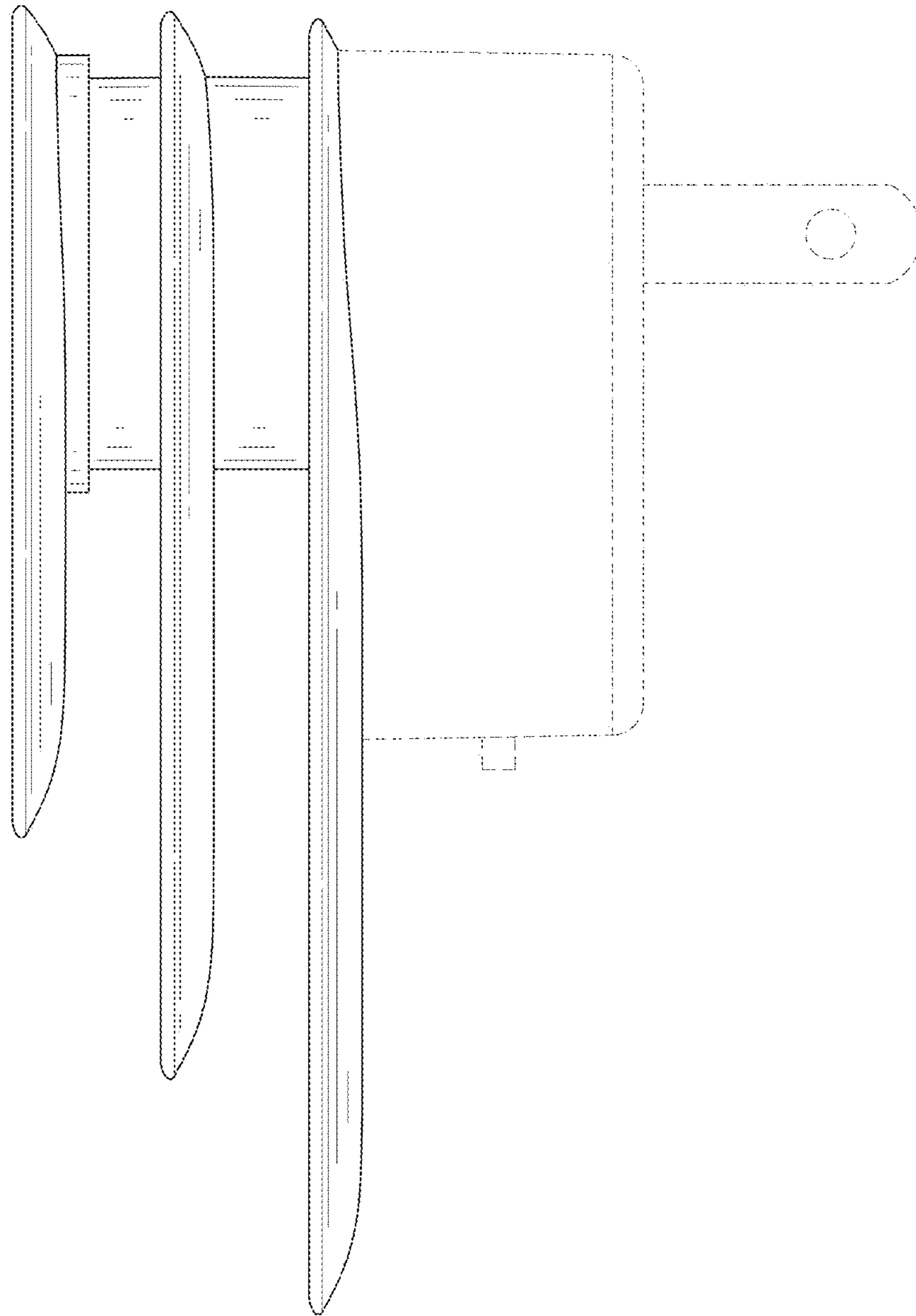


FIG. 6

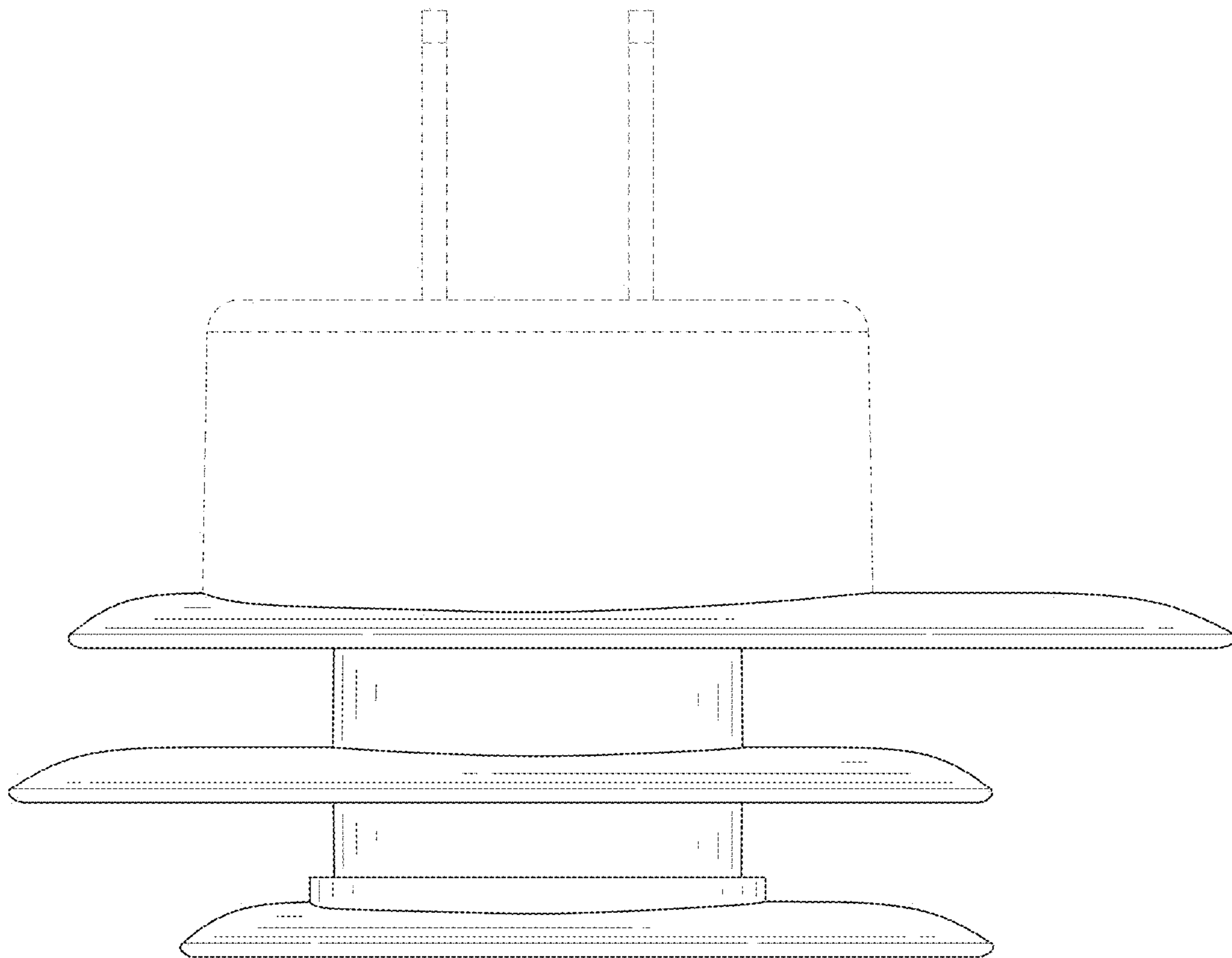


FIG. 7



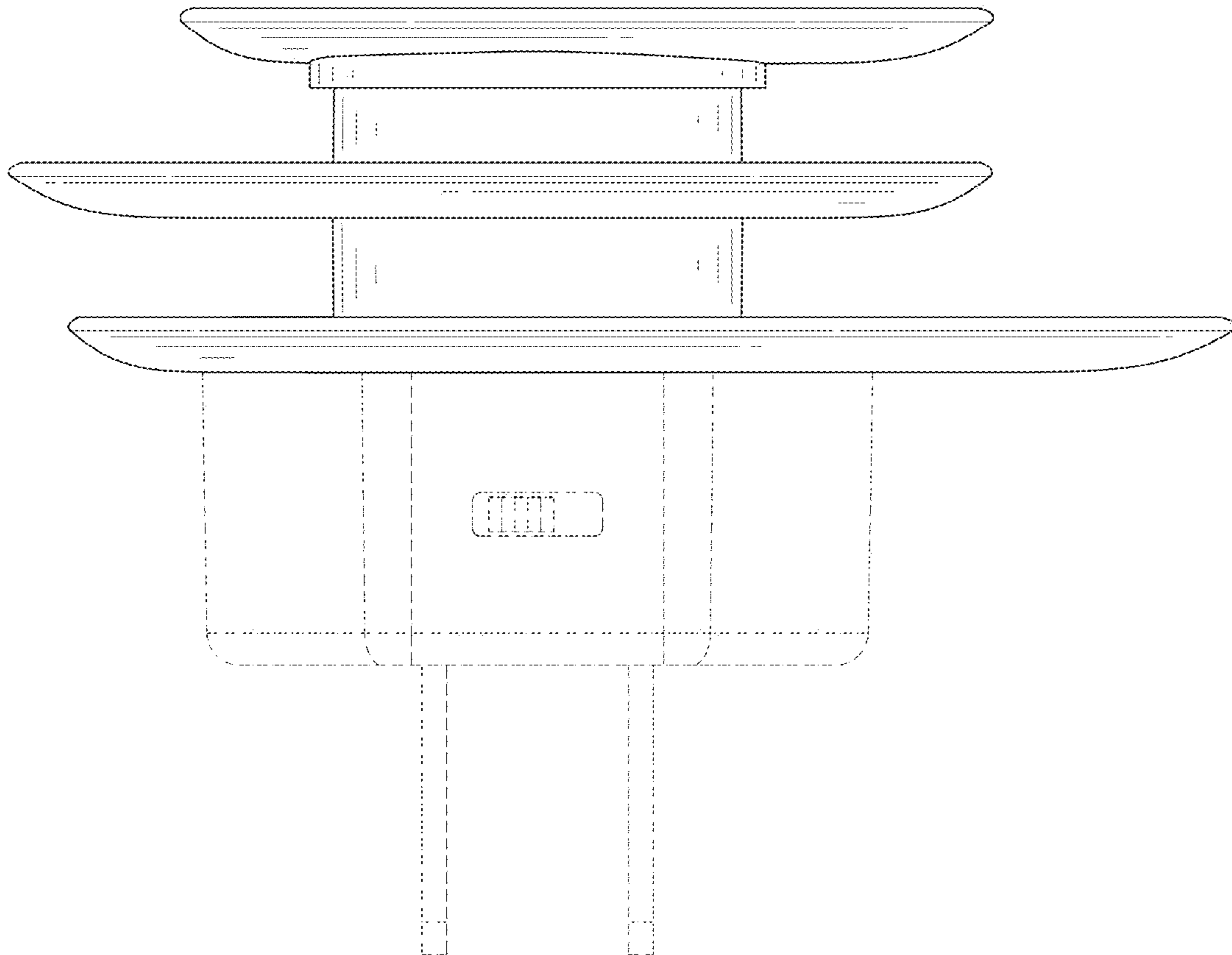


FIG. 8