



US00D876675S

(12) **United States Design Patent** (10) **Patent No.:** **US D876,675 S**  
**Grandadam** (45) **Date of Patent:** **\*\* Feb. 25, 2020**

- (54) **PORTABLE LIGHT BULB SYSTEM**
- (71) Applicant: **Promier Products, Inc.**, Peru, IL (US)
- (72) Inventor: **Cody Duane Grandadam**, Peru, IL (US)
- (73) Assignee: **Promier Products Inc.**, Peru, IL (US)
- (\*\*) Term: **15 Years**
- (21) Appl. No.: **29/691,827**
- (22) Filed: **May 20, 2019**

**Related U.S. Application Data**

- (63) Continuation of application No. 29/663,960, filed on Sep. 20, 2018, now Pat. No. Des. 849,280, which is a continuation of application No. 29/584,343, filed on Nov. 14, 2016, now Pat. No. Des. 830,585.

- (51) **LOC (12) Cl.** ..... **26-04**
- (52) **U.S. Cl.**  
USPC ..... **D26/2**

- (58) **Field of Classification Search**  
USPC ..... D26/1-4  
CPC ..... H01R 5/00; H01R 13/46; H01R 13/514;  
H01R 31/048; H01R 31/02; H01J 5/00;  
H01J 5/16; H01J 1/02; H01J 15/00; H01J  
5/48; H01J 5/50; H01J 19/54; F21V 5/00;  
F21K 9/00; F21K 29/004

See application file for complete search history.

(56) **References Cited**

**U.S. PATENT DOCUMENTS**

- 5,382,181 A 1/1995 Ortiz
- 5,596,247 A 1/1997 Martich et al.
- D531,741 S \* 11/2006 Takahashi ..... D26/2
- D548,369 S 8/2007 Bembridge

(Continued)

**FOREIGN PATENT DOCUMENTS**

- CN 201884957 6/2011
- CN 202118534 1/2012

(Continued)

**OTHER PUBLICATIONS**

International Search Report and Written Opinion dated Feb. 14, 2018 in corresponding PCT Application No. PCT/US17/61594 (9 pages).

(Continued)

*Primary Examiner* — Marcus A Jackson  
(74) *Attorney, Agent, or Firm* — Barnes & Thornburg LLP

(57) **CLAIM**

I claim the ornamental design for a portable light bulb system, as shown and described.

**DESCRIPTION**

FIG. 1 is a top perspective view of a first embodiment of a portable light bulb system according to a new design. FIG. 2 is a rear view of the portable light bulb system shown in FIG. 1.

FIG. 3 is a left side view of the portable light bulb system shown in FIG. 1.

FIG. 4 is a front view of the portable light bulb system shown in FIG. 1.

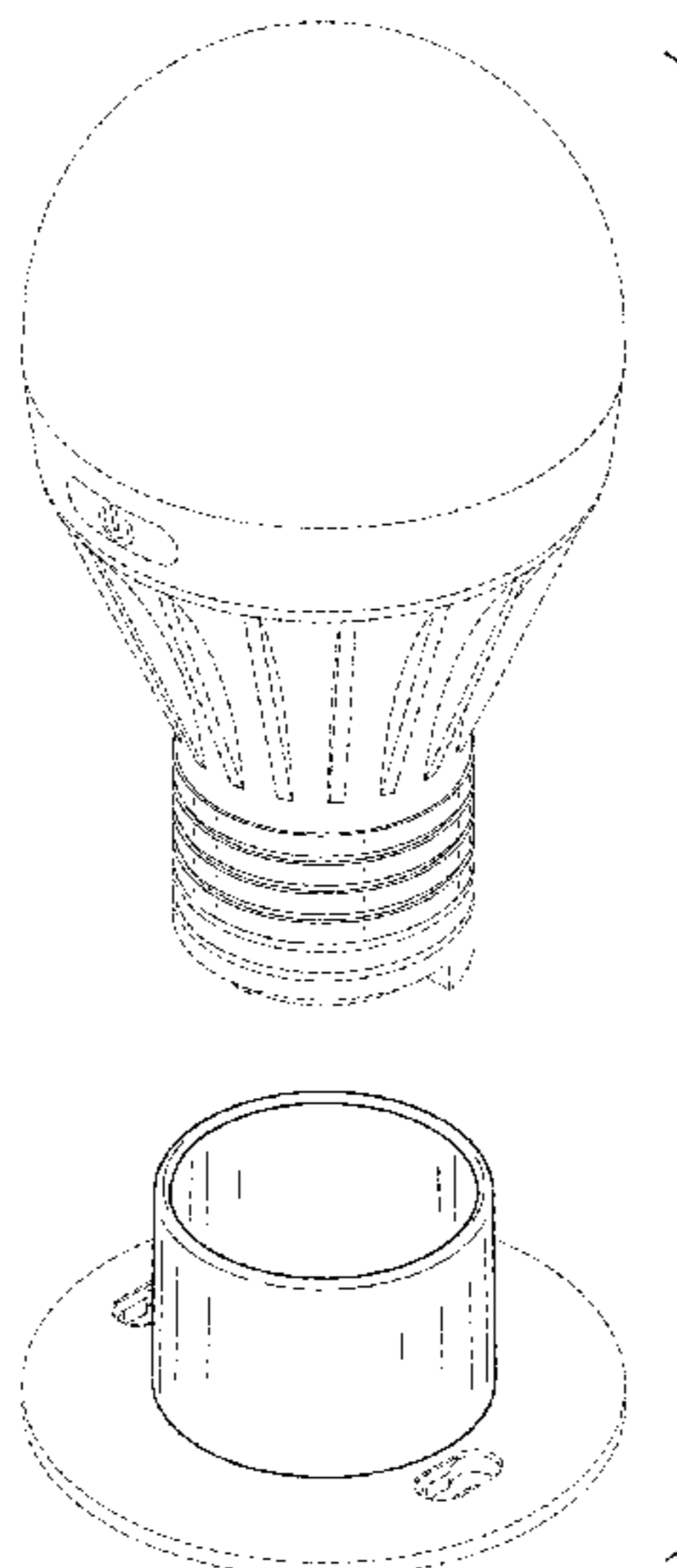
FIG. 5 is a right side view of the portable light bulb system shown in FIG. 1.

FIG. 6 is a top view of the portable light bulb system shown in FIG. 1; and,

FIG. 7 is a bottom view of the portable light bulb system shown in FIG. 1.

Features shown in broken or dotted lines in the drawings illustrate the environment of the design only and form no part of the claimed design. Also, any shading presented in the accompanying drawings is provided merely to highlight the contour of the invention and is not intended to be illustrative of texture or gloss.

**1 Claim, 6 Drawing Sheets**



(56)

References Cited

FOREIGN PATENT DOCUMENTS

U.S. PATENT DOCUMENTS

D549,360 S 8/2007 An  
 D553,267 S 10/2007 Yuen  
 D583,989 S 12/2008 Khubani  
 D602,614 S 10/2009 Takahashi et al.  
 D629,535 S 12/2010 Lee  
 8,084,963 B2 12/2011 Chandler et al.  
 8,328,582 B1 12/2012 Carley et al.  
 D691,292 S 10/2013 Qiu  
 8,669,716 B2 3/2014 Recker et al.  
 9,055,642 B2 6/2015 Maa et al.  
 9,081,269 B2 7/2015 Conti  
 9,541,262 B2 1/2017 Kohn et al.  
 9,657,928 B1 5/2017 Jacobson  
 9,909,720 B1 3/2018 Turudic  
 9,918,371 B2 3/2018 Jacobson  
 9,920,888 B1 3/2018 Springer  
 2004/0120142 A1 6/2004 Galli  
 2007/0211481 A1 9/2007 Cooper et al.  
 2007/0291477 A1 12/2007 Khubani  
 2008/0273348 A1 11/2008 Klohn et al.  
 2010/0110670 A1 5/2010 Werth et al.  
 2010/0134047 A1 6/2010 Hasnain  
 2012/0057334 A1 3/2012 Robinson  
 2012/0182726 A1 7/2012 King  
 2013/0308306 A1 11/2013 Hootman et al.  
 2014/0070703 A1 3/2014 Chen et al.  
 2014/0265836 A1 9/2014 Nourbakhsh et al.  
 2014/0268841 A1 9/2014 Stockman  
 2015/0356894 A1 12/2015 Petrocy et al.  
 2016/0073479 A1 3/2016 Erchak et al.  
 2016/0223175 A1 8/2016 Yang  
 2016/0270148 A1 9/2016 Filipovic et al.  
 2017/0241596 A1 8/2017 Chien  
 2018/0084622 A1 3/2018 Chen

CN 202118845 1/2012  
 CN 103000036 3/2013  
 CN 203090292 7/2013  
 CN 103672480 3/2014  
 CN 204345498 5/2015  
 CN 204437844 7/2015  
 WO WO2007/128126 11/2007  
 WO 2011/094444 8/2011

OTHER PUBLICATIONS

Mobile LED Light Bulb, commercially available by Mar. 27, 2016 from [www.mileskimball.combuy-mobile-led-light-bulb-353158referrer=apiv1sli](http://www.mileskimball.combuy-mobile-led-light-bulb-353158referrer=apiv1sli) (3 pages).  
 "Light Bulb" Vintage, pictures taken on Jun. 9, 2016 by PAT Europe BV (3 pages).  
 Hotook LED Emergency Light, available at [goo.gl/A5U9d2](http://goo.gl/A5U9d2), at least as early as Mar. 30, 2016.  
 LED Light Bulb Lantern, available at <https://www.yellowoctopus.com.au/led-light-bulb-lantern-kikkerland>, at least as early as Mar. 31, 2016.  
 Nightstick Dual Light with Magnet, available at [goo.gl/yMBMcW](http://goo.gl/yMBMcW), at least as early as Mar. 31, 2016.  
 Ullman LED Magnetic Work Light, available at [goo.gl/xscMC1](http://goo.gl/xscMC1), at least as early as Mar. 31, 2016.  
 Battery Powered LED Dome Light, available at [goo.gl/MFA6BE](http://goo.gl/MFA6BE), at least as early as Mar. 30, 2016.  
 Mobile LED Light Bulb, commercially available by Sep. 8, 2015 from <https://www.amazon.com/miles-kimball-mobile-light-bulb/dp/b0153tsjge> (4 pages).

\* cited by examiner

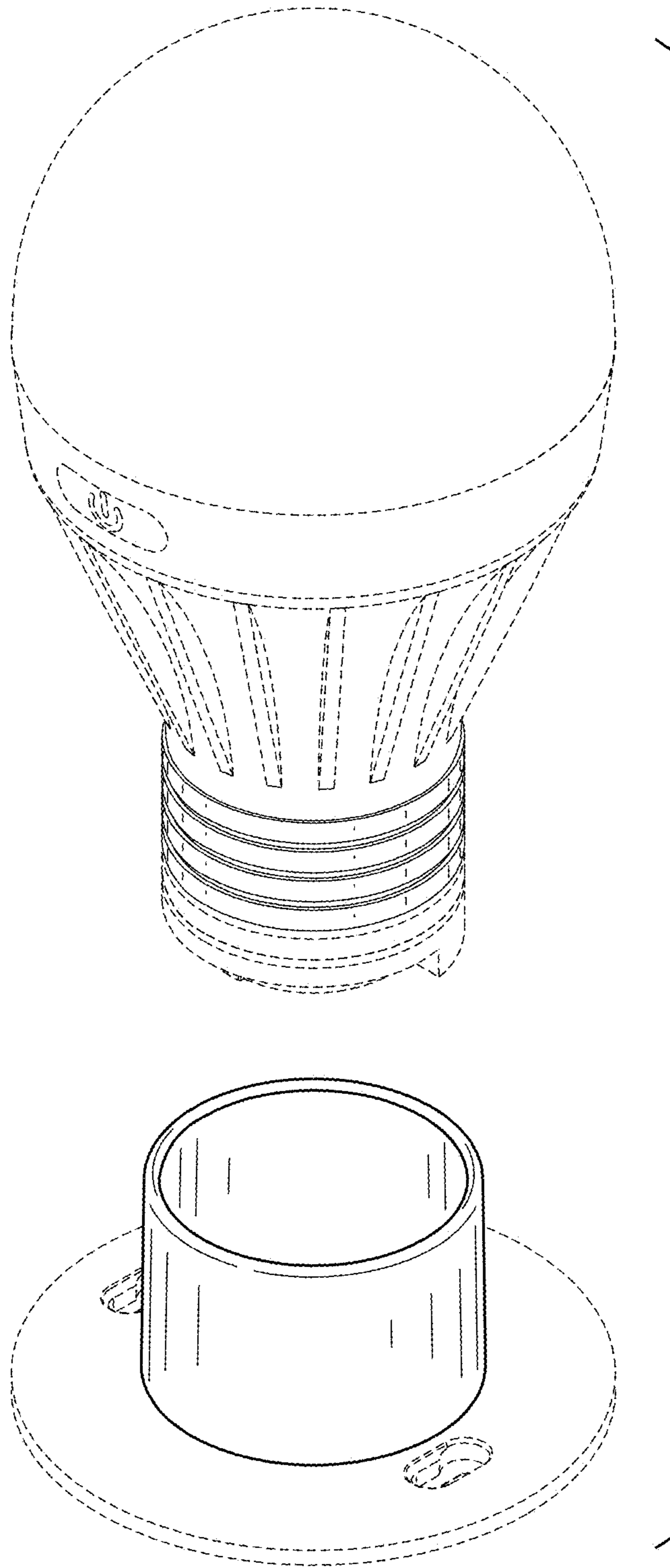


FIG. 1

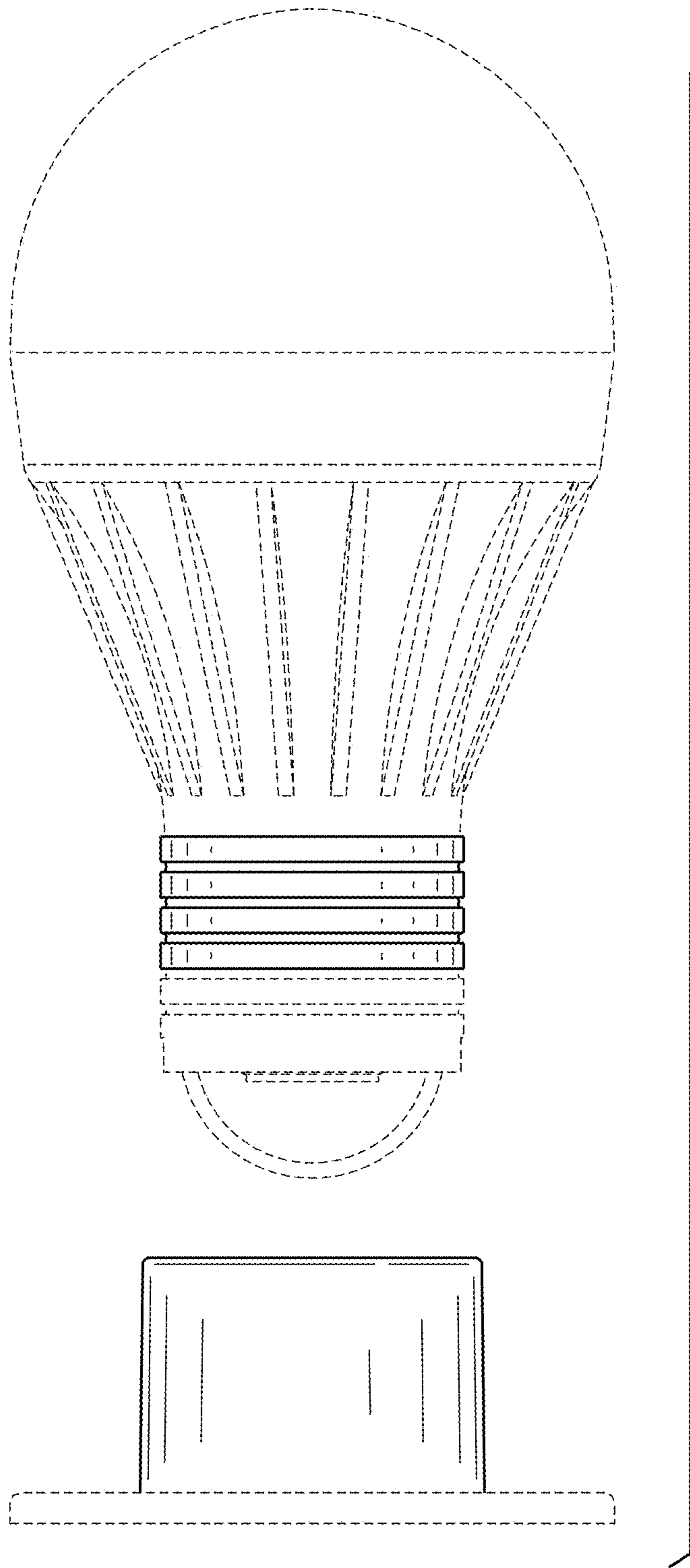


FIG. 2



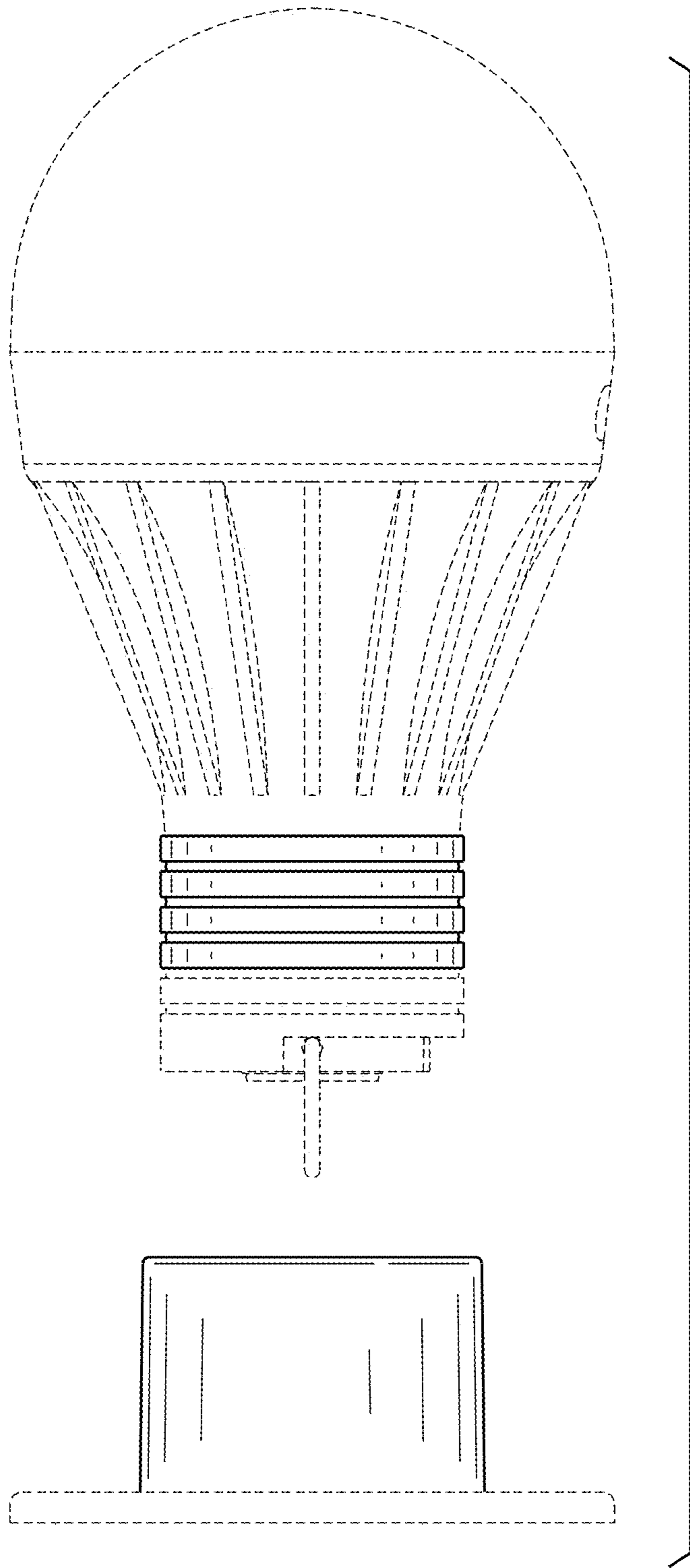


FIG. 3

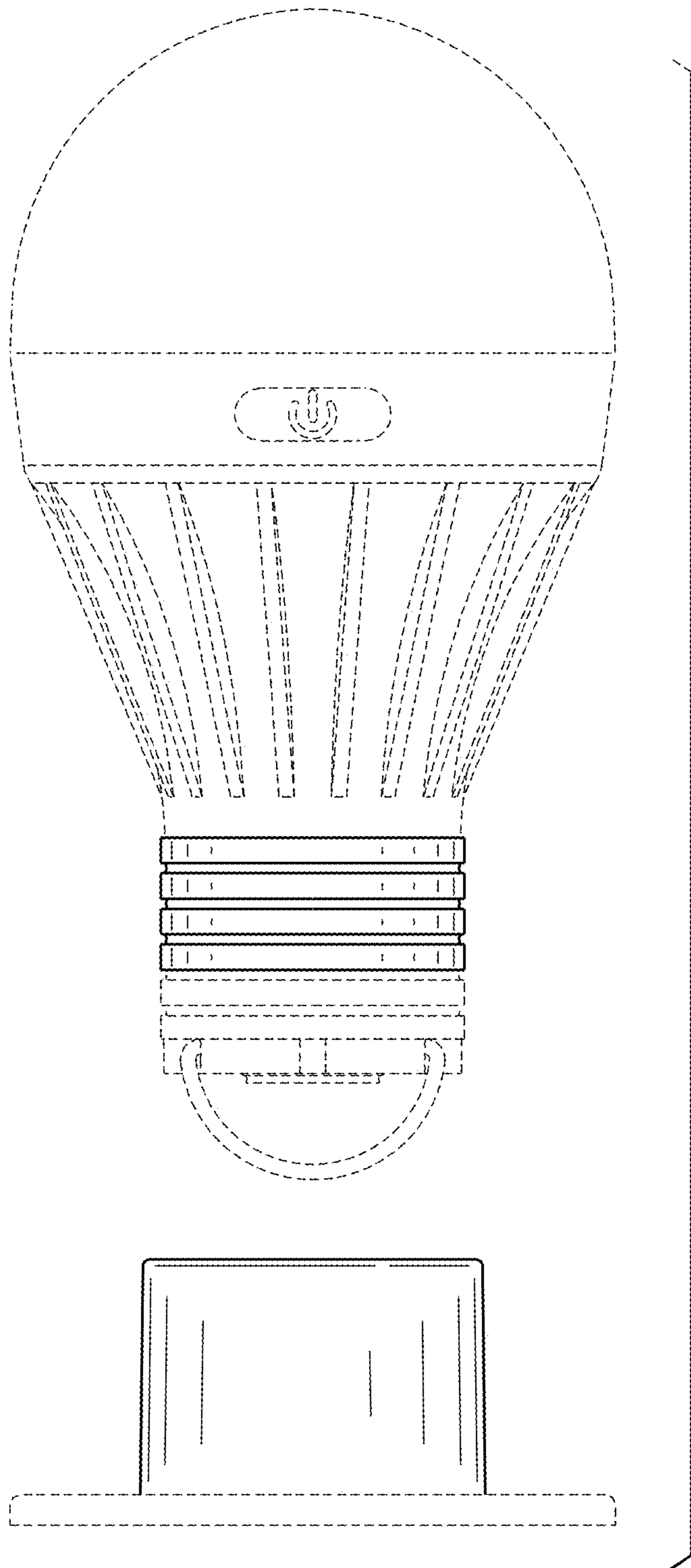


FIG. 4

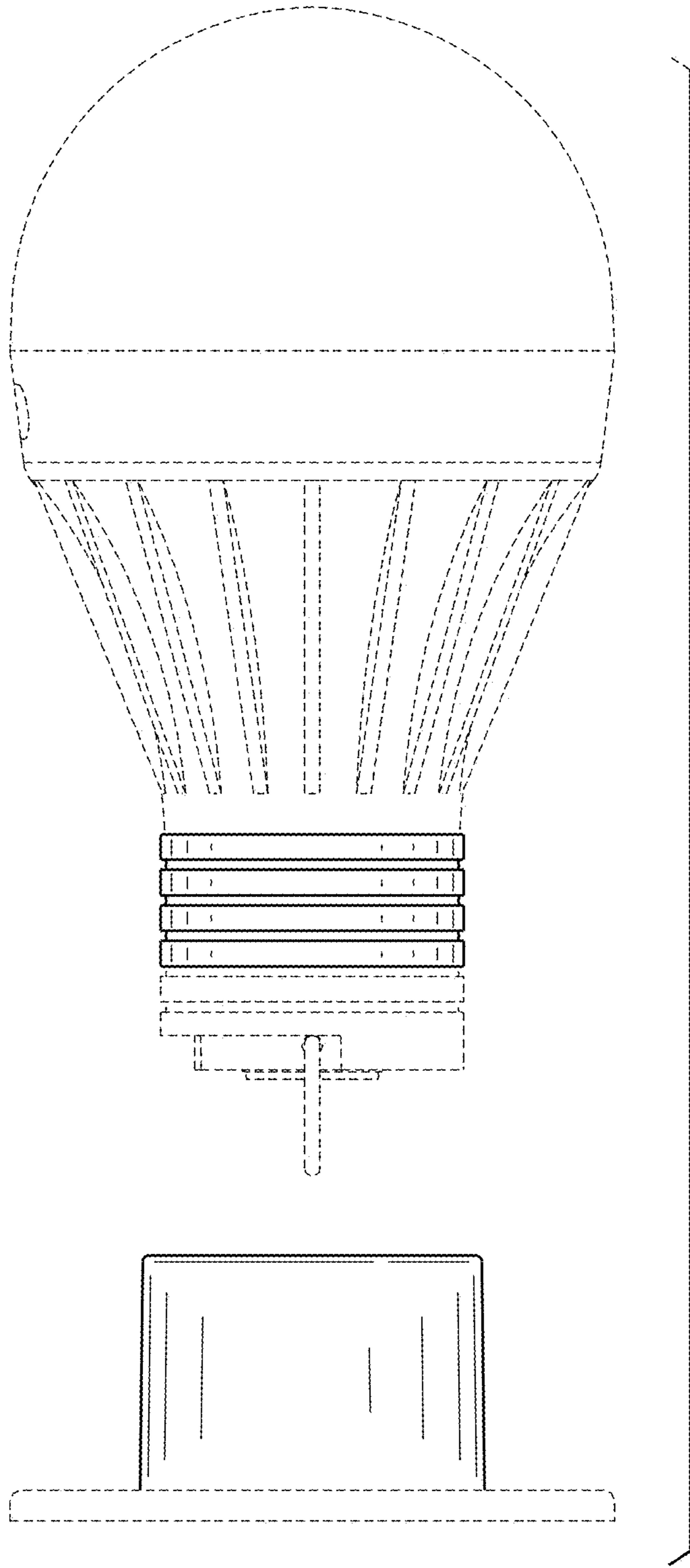


FIG. 5

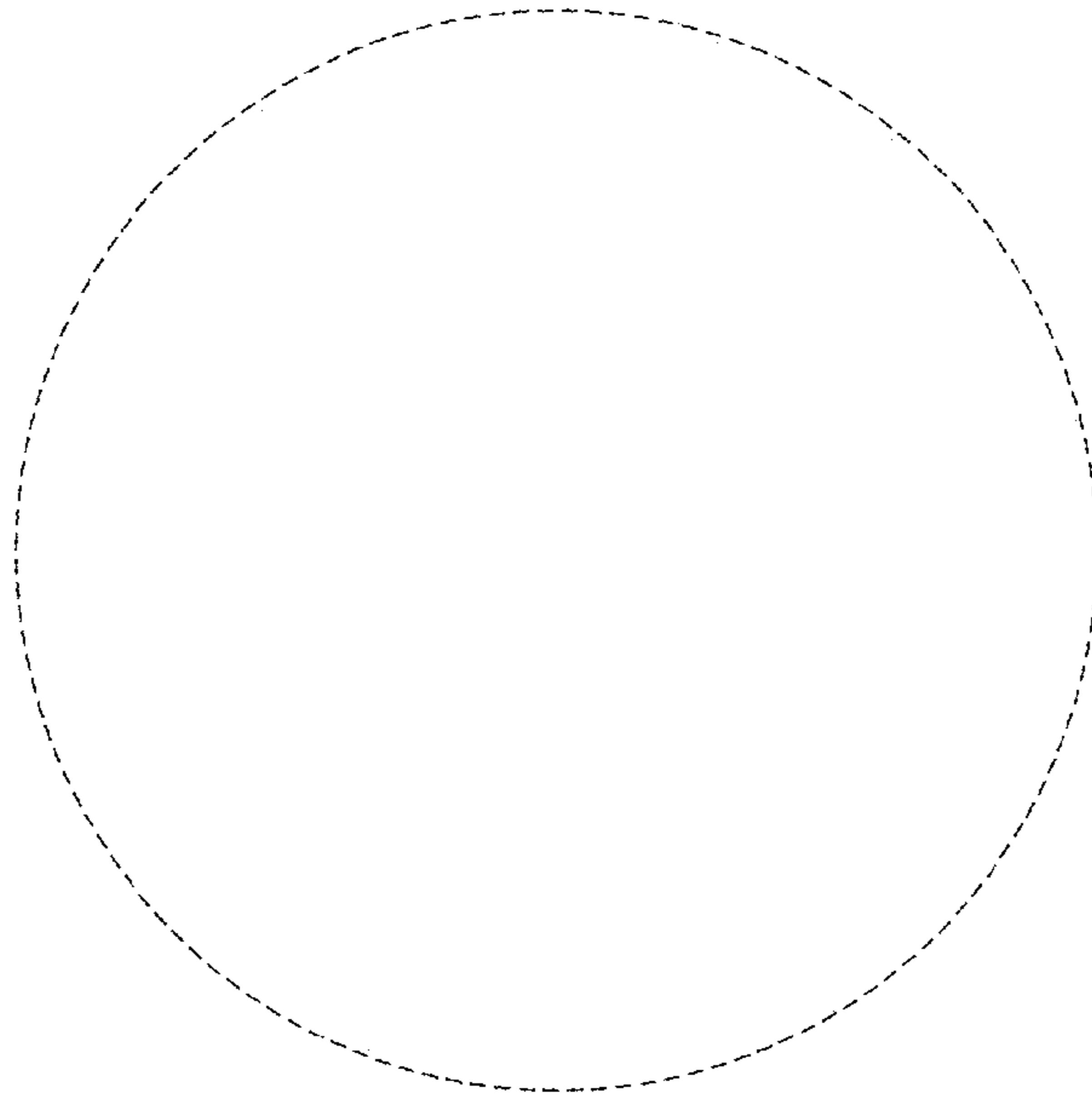


FIG. 6

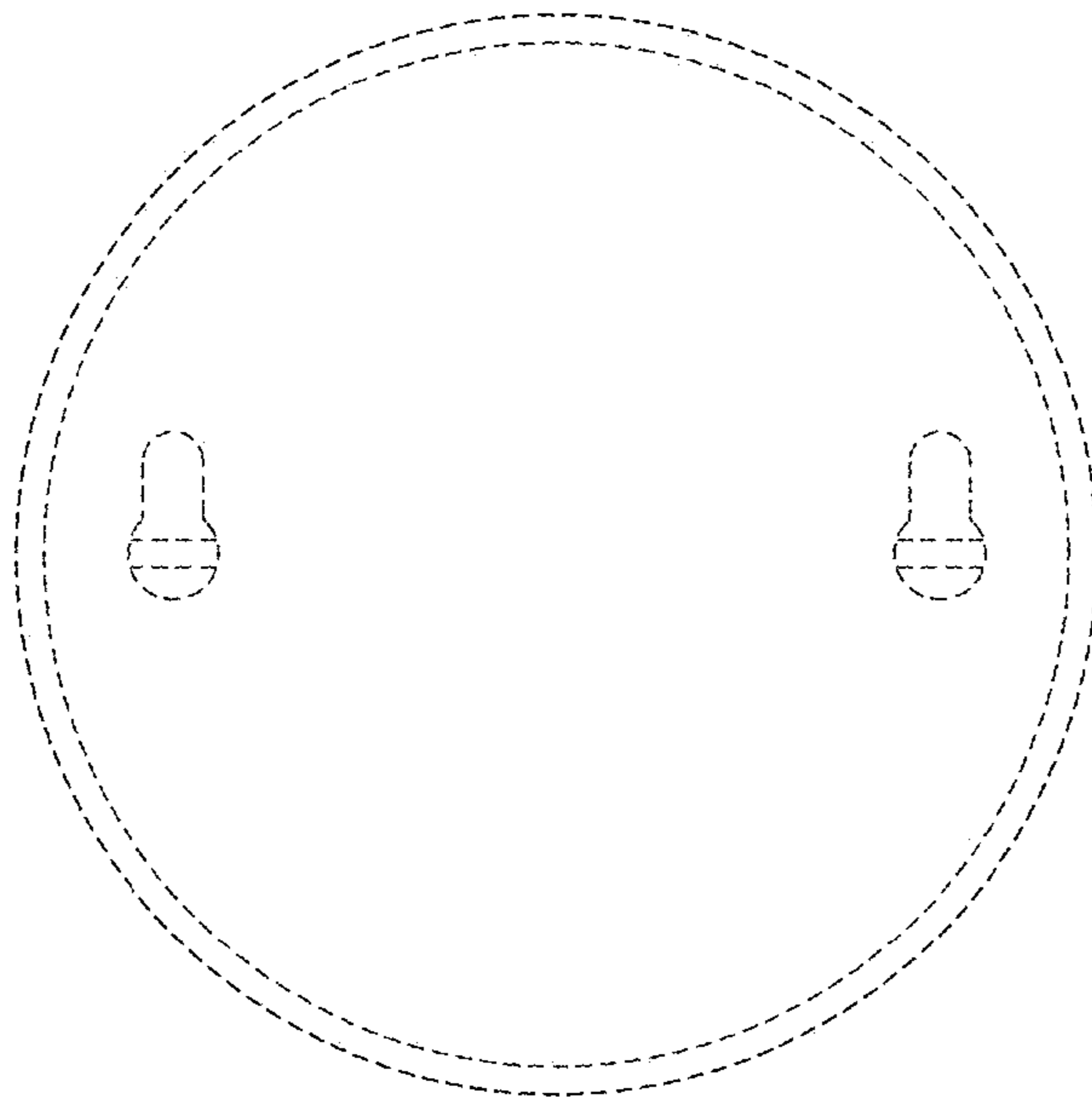


FIG. 7