



US00D876674S

(12) **United States Design Patent**
Zhou

(10) **Patent No.:** **US D876,674 S**

(45) **Date of Patent:** **** Feb. 25, 2020**

(54) **PORTION OF A LIGHT BULB**

(71) Applicant: **MAINHOUSE (XIAMEN) ELECTRONICS CO., LTD**, Xiamen, Fujian (CN)

(72) Inventor: **Nanqing Zhou**, Xiamen (CN)

(73) Assignee: **MAINHOUSE (XIAMEN) ELECTRONICS CO., LTD**, Xiamen, Fujian (CN)

(**) Term: **15 Years**

(21) Appl. No.: **29/673,277**

(22) Filed: **Dec. 13, 2018**

(51) **LOC (12) Cl.** **26-04**

(52) **U.S. Cl.**
USPC **D26/2**

(58) **Field of Classification Search**
USPC D26/1-4
CPC H01R 5/00; H01R 13/46; H01R 13/514;
H01R 31/048; H01R 31/02; H01J 5/00;
H01J 5/16; H01J 1/02; H01J 15/00; H01J
5/48; H01J 5/50; H01J 19/54; F21V 5/00;
F21V 29/004; F21K 9/00; F21K 13/00
See application file for complete search history.

(56) **References Cited**

U.S. PATENT DOCUMENTS

D689,215 S * 9/2013 Xue D26/2
D759,854 S * 6/2016 Wang D26/2

D787,714 S * 5/2017 Wang D26/2
D793,585 S * 8/2017 Zhang D26/2
D801,556 S * 10/2017 Yao D26/2
D804,689 S * 12/2017 Zhou D26/2

* cited by examiner

Primary Examiner — Marcus A Jackson

(74) *Attorney, Agent, or Firm* — Muncy, Geissler, Olds & Lowe, PC

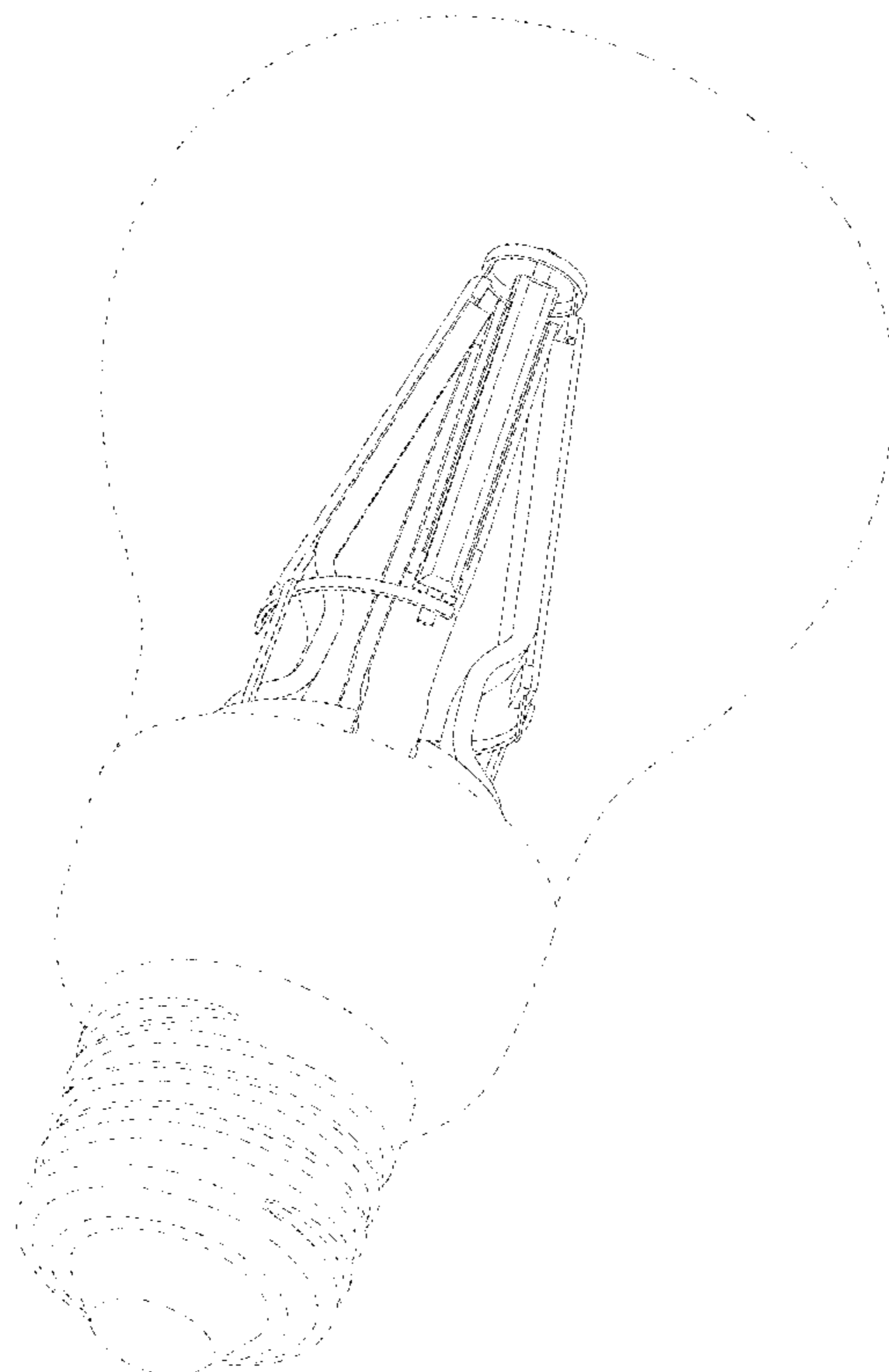
(57) **CLAIM**

The ornamental design for a portion of a light bulb, as shown and described.

DESCRIPTION

FIG. 1 is a bottom, right perspective view of a portion of a light bulb showing the new design;
FIG. 2 is a front elevational view thereof;
FIG. 3 is a rear elevational view thereof;
FIG. 4 is a left-side elevational view thereof;
FIG. 5 is a right-side elevational view thereof;
FIG. 6 is a top plan view thereof; and,
FIG. 7 is a bottom plan view thereof.
The broken lines in the figures depict environmental subject matter and form no part of the claimed design.

1 Claim, 7 Drawing Sheets



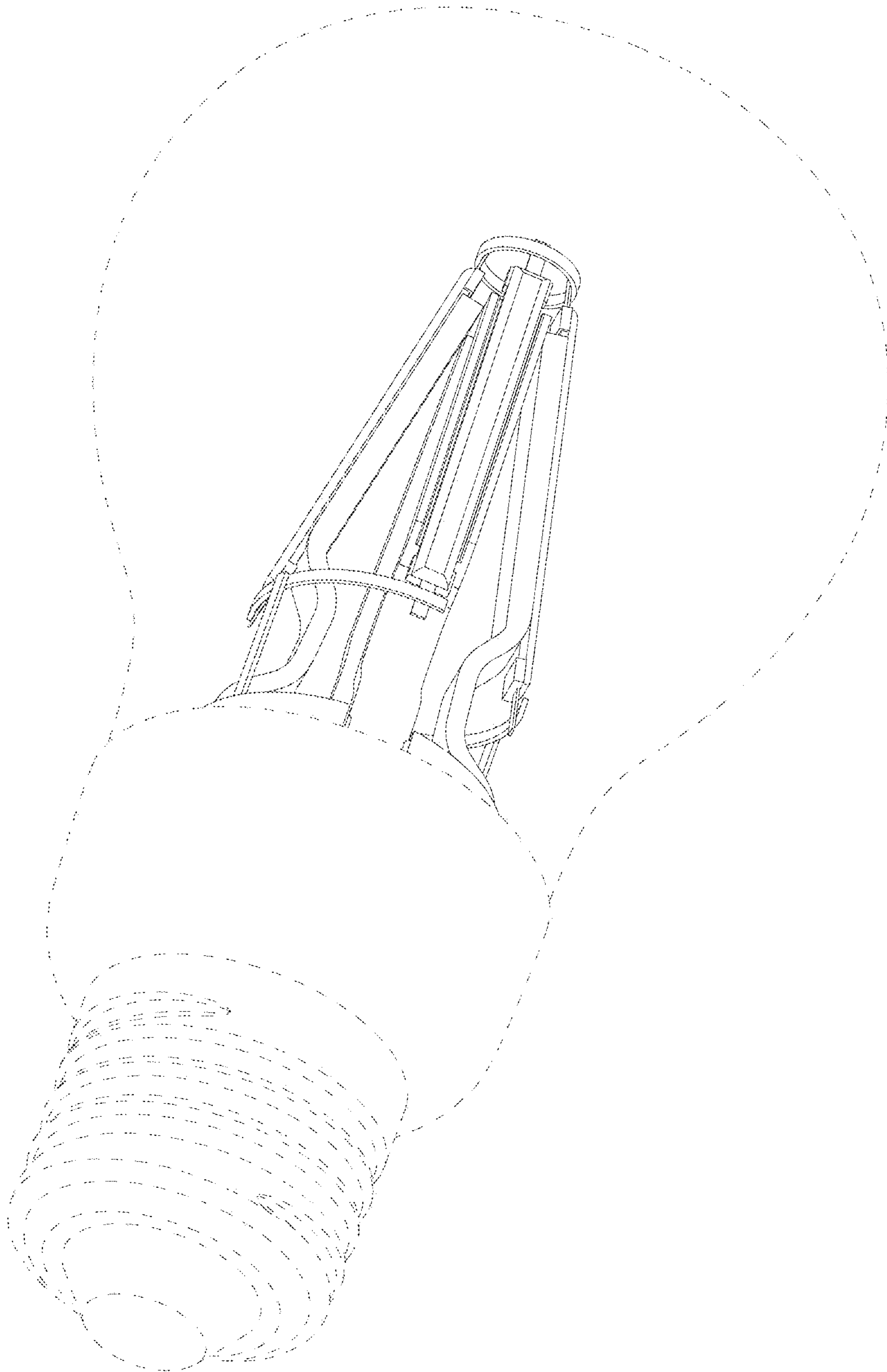


FIG. 1

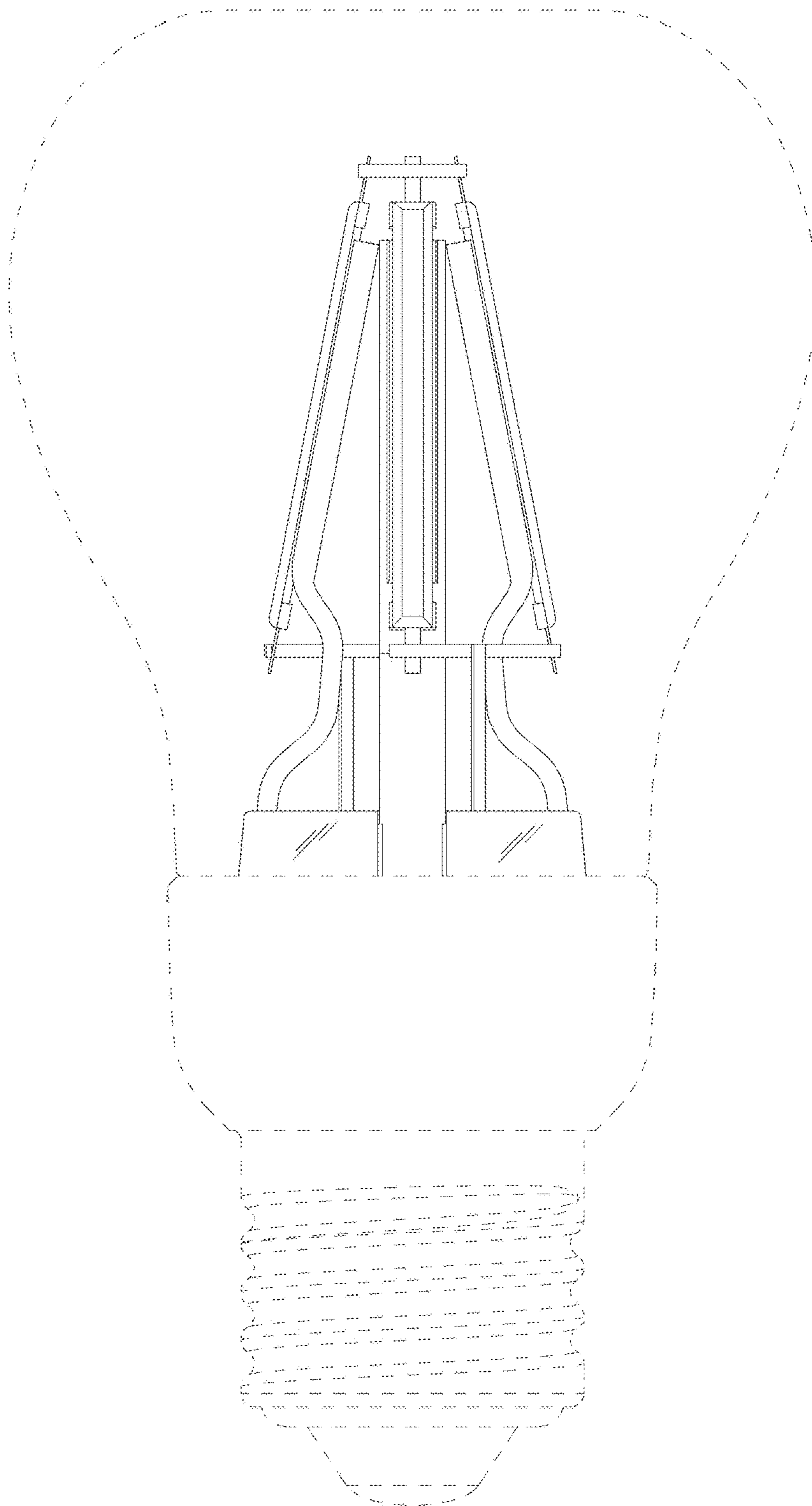


FIG. 2

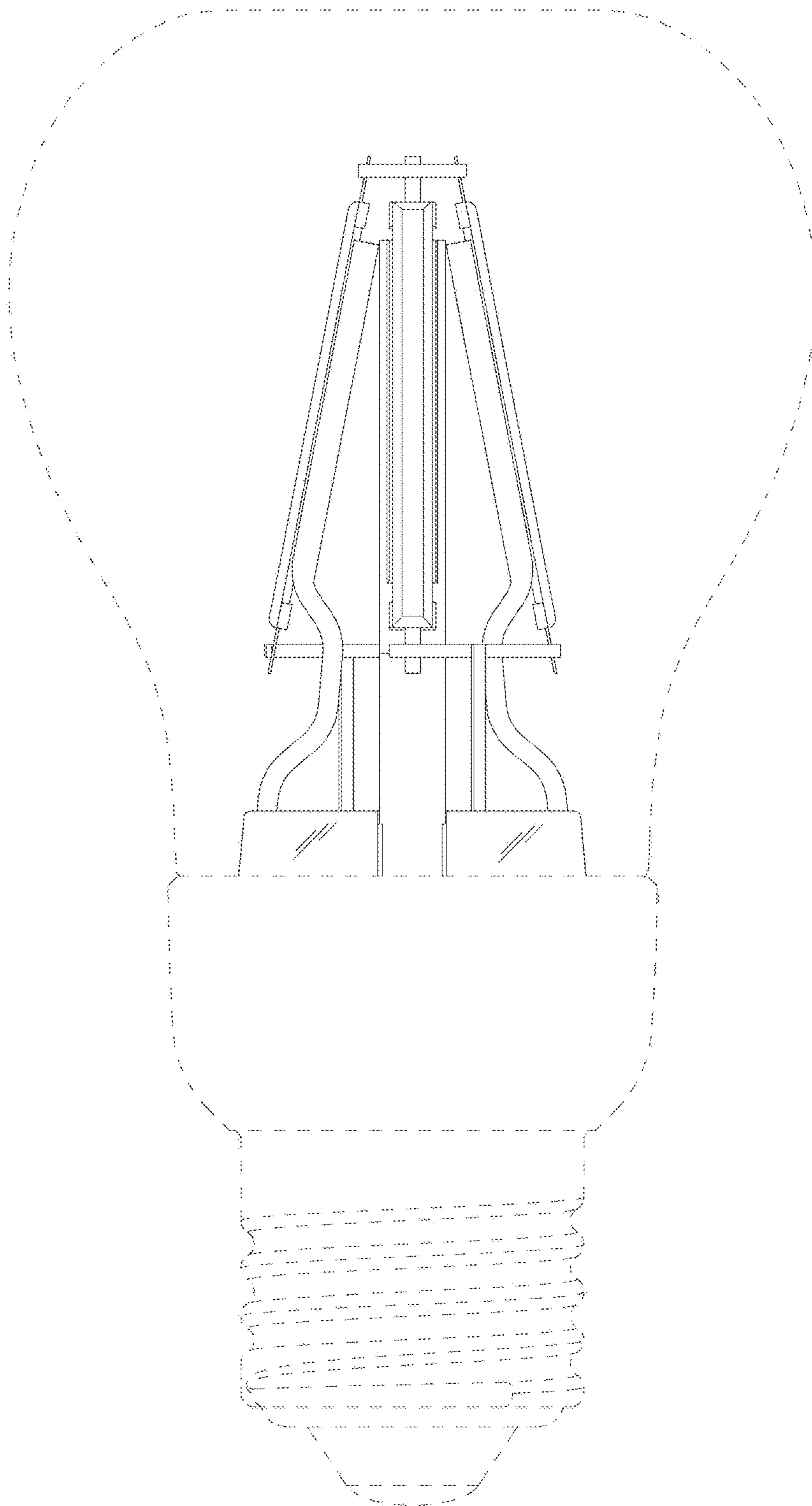


FIG. 3

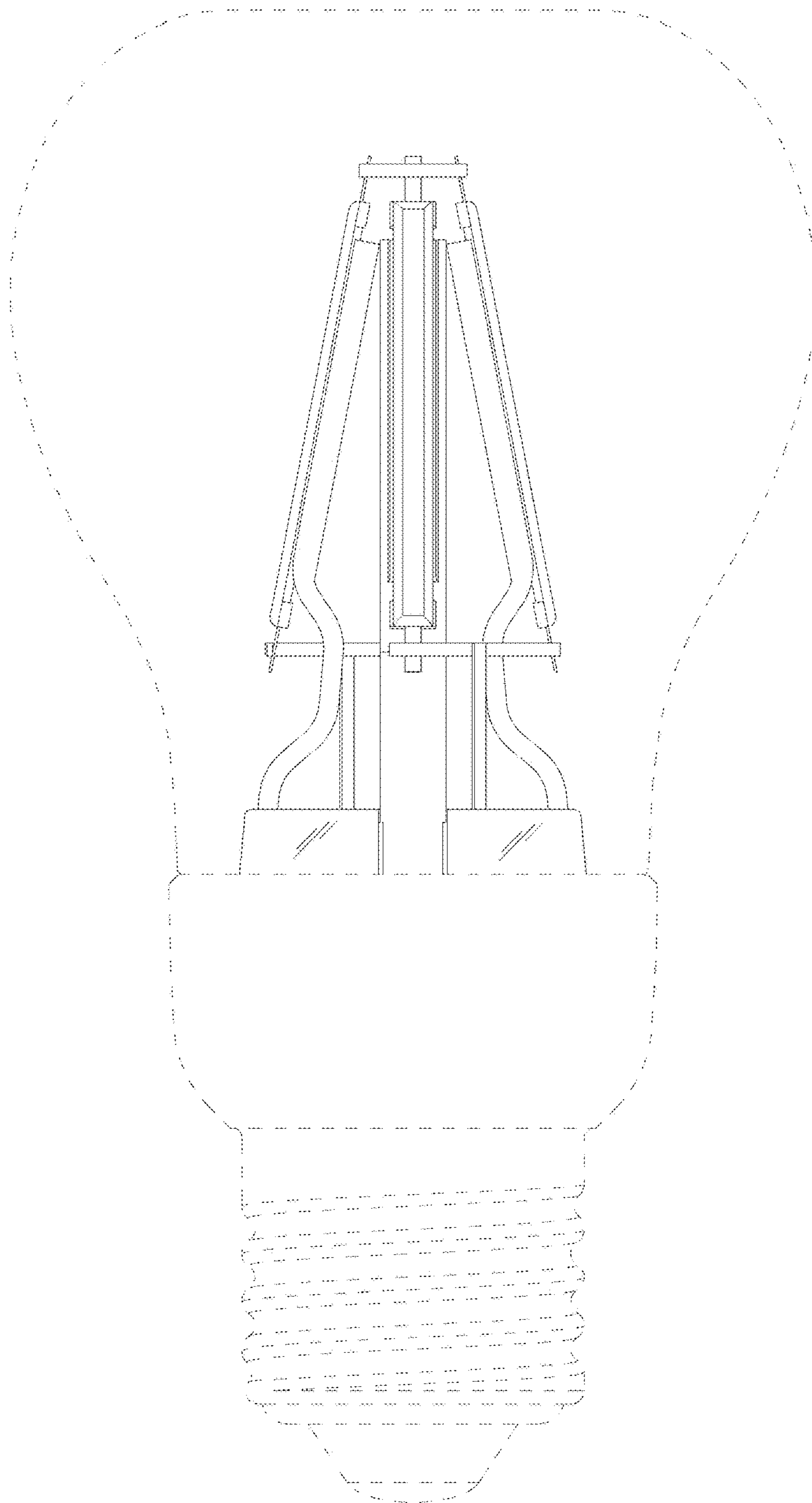


FIG. 4

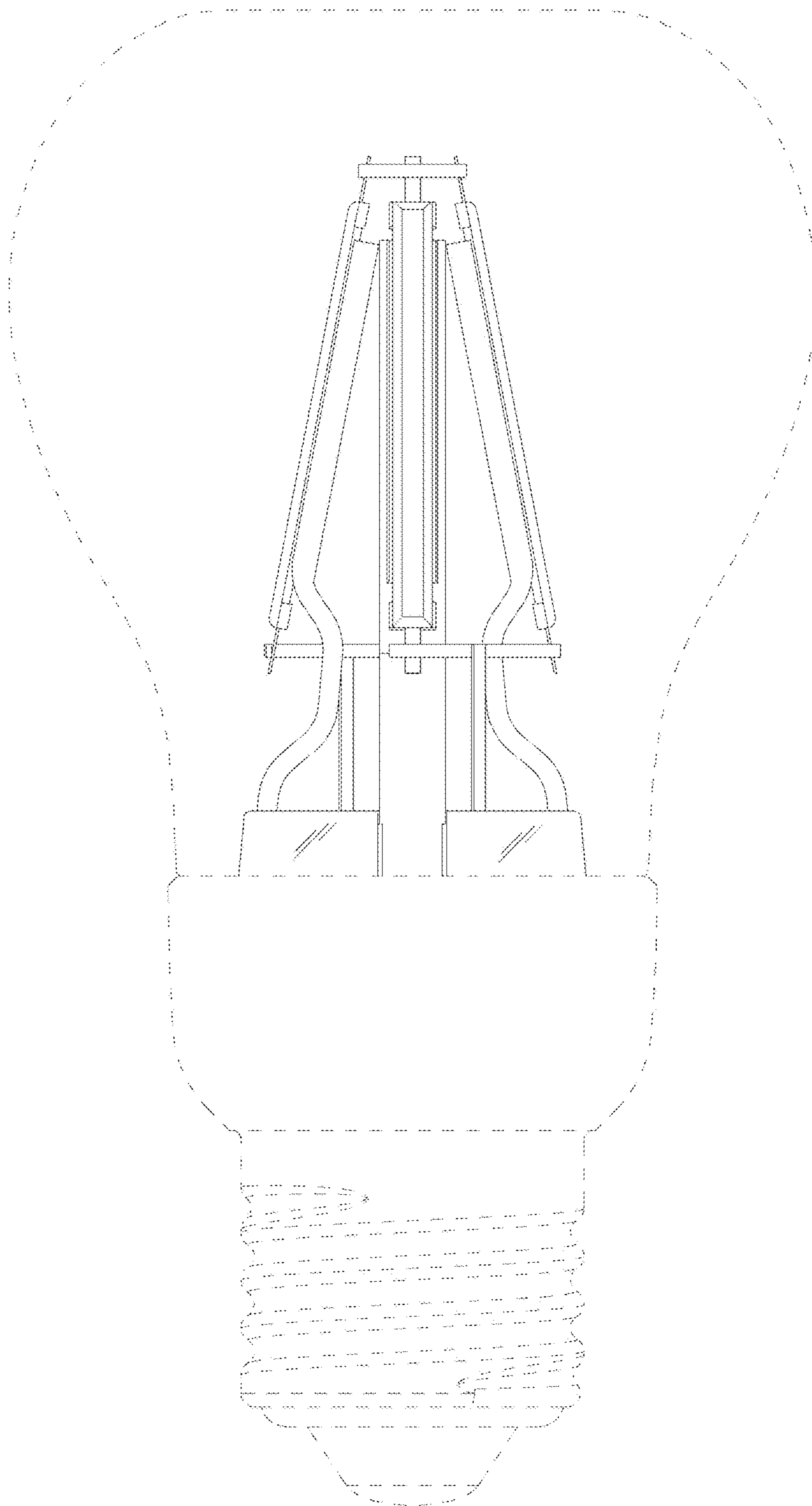


FIG. 5

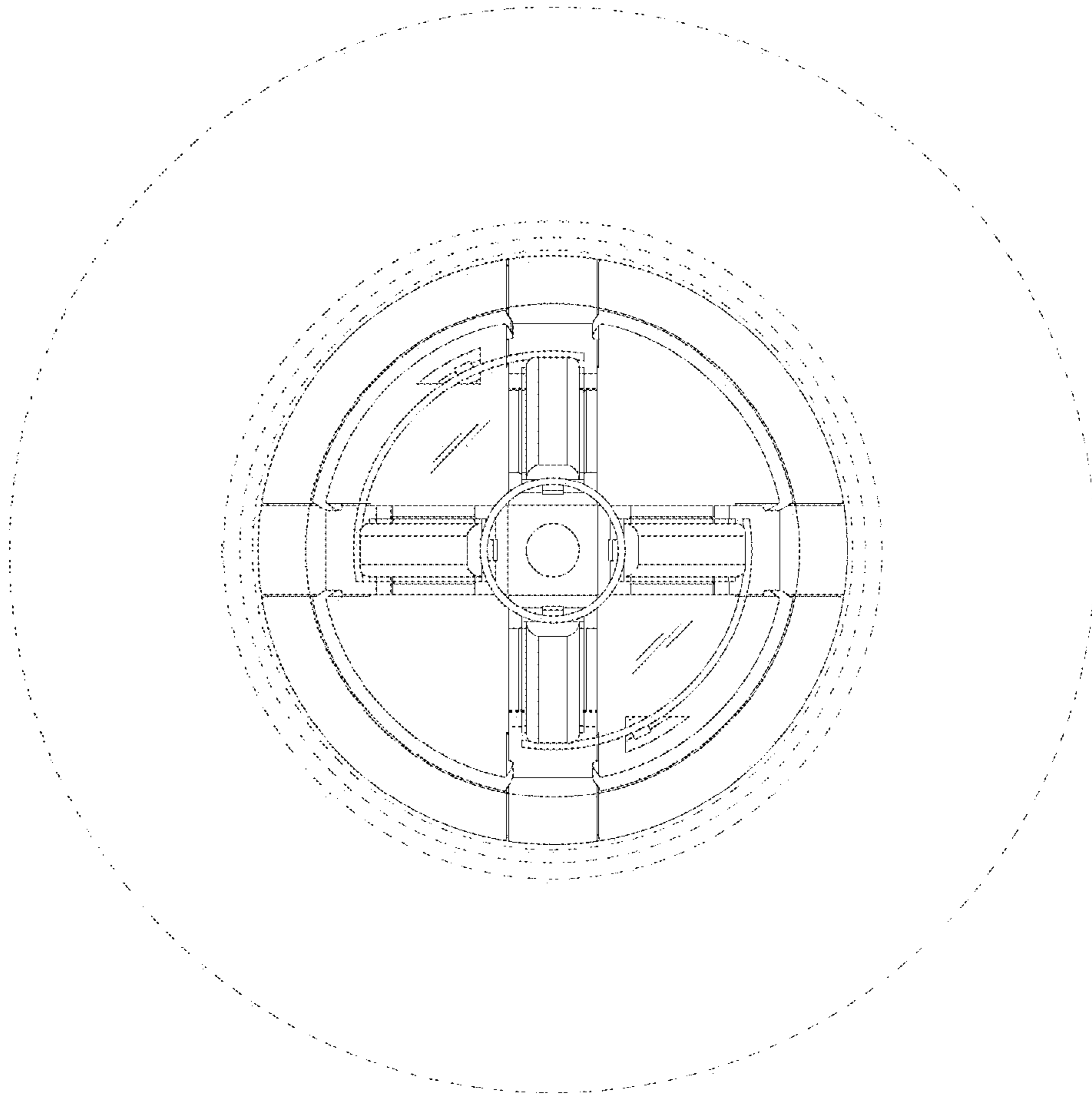


FIG. 6

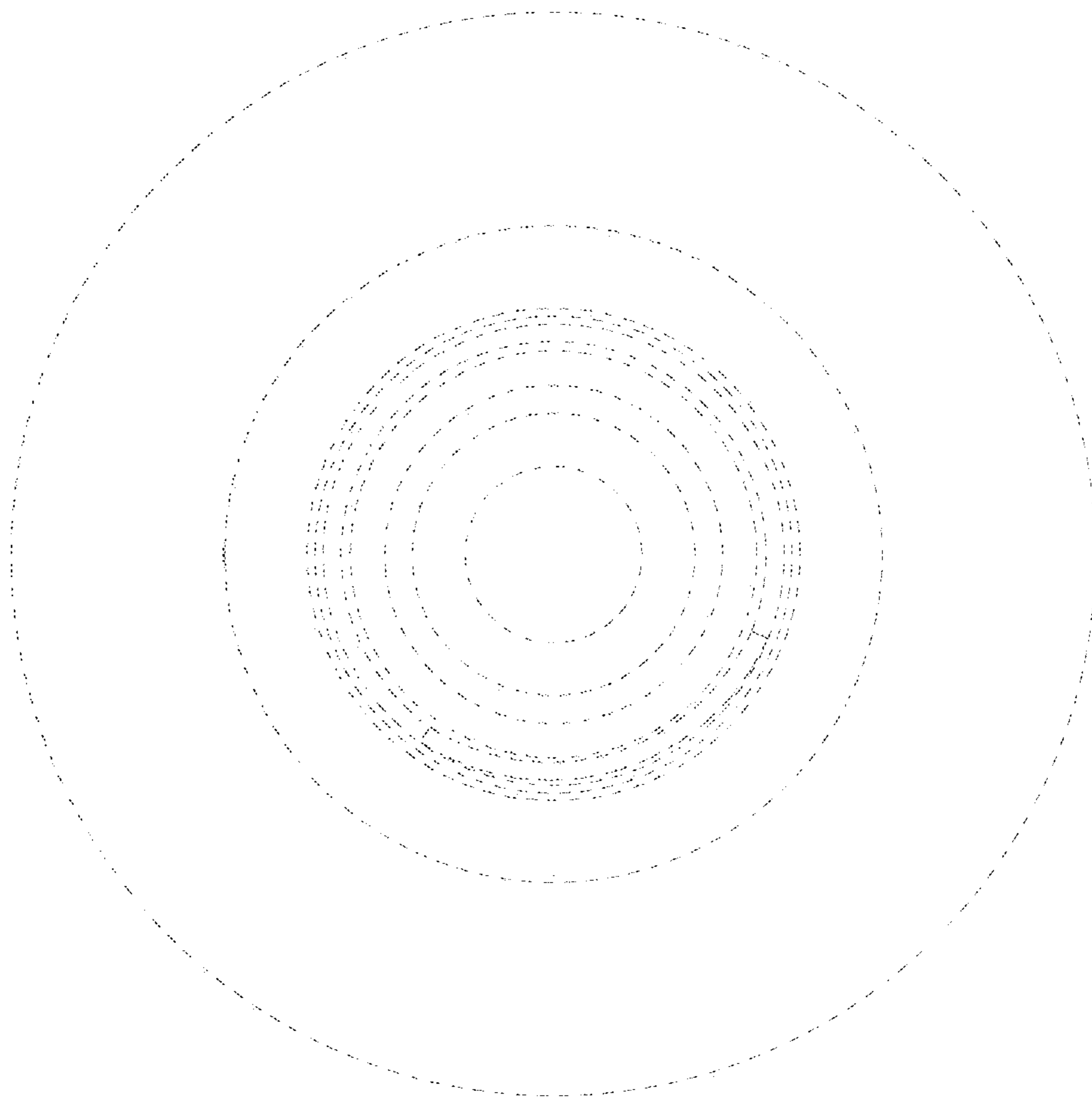


FIG. 7