



US00D876668S

(12) **United States Design Patent** (10) **Patent No.:** **US D876,668 S**  
**Norton et al.** (45) **Date of Patent:** **\*\* Feb. 25, 2020**

(54) **PARTICLE SORTING MODULE MOUNT**

(71) Applicant: **Becton, Dickinson and Company,**  
Franklin Lakes, NJ (US)

(72) Inventors: **Pierce O. Norton,** Los Gatos, CA (US);  
**Dennis F. Rey,** Livermore, CA (US);  
**Jeannine K. Funderburk,** Cupertino,  
CA (US)

(73) Assignee: **Becton, Dickinson and Company,**  
Franklin Lakes, NJ (US)

(\*\*) Term: **15 Years**

(21) Appl. No.: **29/635,392**

(22) Filed: **Jan. 30, 2018**

(51) **LOC (12) Cl.** ..... **24-01**

(52) **U.S. Cl.**  
USPC ..... **D24/232**

(58) **Field of Classification Search**  
USPC ..... D24/107, 185, 186, 216, 231–234, 108,  
D24/128, 227; D10/81  
CPC ..... G01N 15/1436; G01N 21/05; G01N  
21/6428; G01N 2015/1006; G01N  
2015/149; G01N 2015/1452; G01N  
2021/6439; B01L 2200/0652  
See application file for complete search history.

(56) **References Cited**

**U.S. PATENT DOCUMENTS**

D320,082 S	9/1991	Wyatt	
D323,709 S	2/1992	Wyatt	
D323,889 S	2/1992	Wyatt	
D339,194 S *	9/1993	Telang	..... D24/108
5,552,885 A	9/1996	Desjardins et al.	
5,641,457 A	6/1997	Colon	
D380,543 S	7/1997	Piontek et al.	
D383,214 S	9/1997	Brennan	
5,776,781 A	7/1998	Norton	

D423,670 S	4/2000	Scheuble et al.
6,133,044 A	10/2000	Kanda
6,149,867 A	11/2000	Hall et al.
6,263,745 B1	7/2001	Katsumoto
6,473,171 B1	10/2002	Buttry et al.
6,780,377 B2	8/2004	Hall et al.
6,890,487 B1	5/2005	Sklar et al.
6,947,136 B2	9/2005	Ortyn et al.
D529,603 S	10/2006	Knickerbocker et al.
7,471,394 B2	12/2008	Padmanabhan et al.
D584,407 S	1/2009	Kawamura
D588,693 S	3/2009	Strong et al.
D590,935 S	4/2009	Becker
7,553,453 B2	6/2009	Gu et al.
7,630,063 B2	12/2009	Padmanabhan et al.
7,777,869 B2	5/2010	Nerin et al.

(Continued)

**FOREIGN PATENT DOCUMENTS**

EP	1815231 B1	9/2010
EP	1745275 B1	12/2017
EP	1846748 B1	9/2019

*Primary Examiner* — Anhdao Doan

(74) *Attorney, Agent, or Firm* — Edward J. Baba; Bret E. Field; Bozicevic, Field & Francis LLP

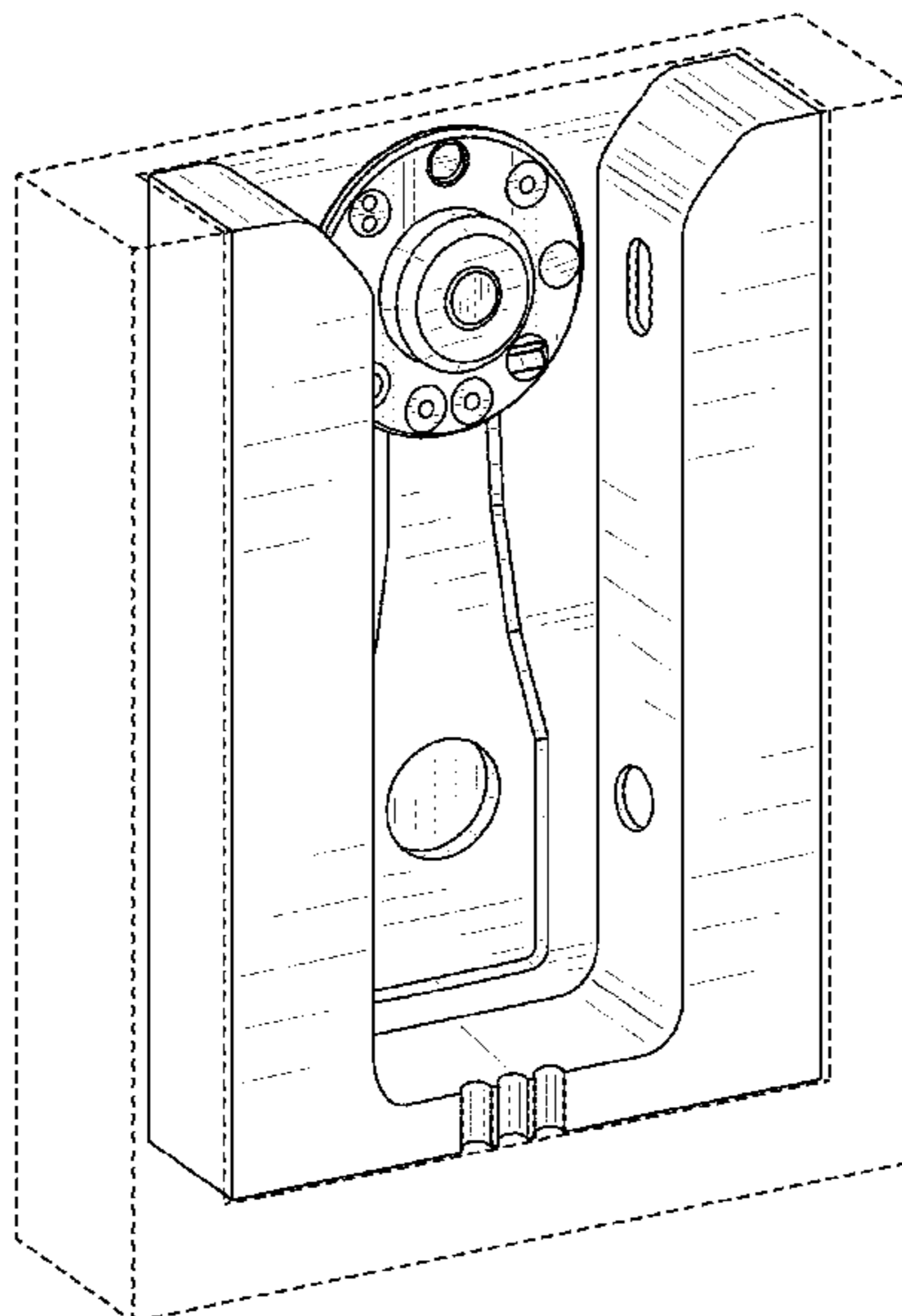
(57) **CLAIM**

The ornamental design for a particle sorting module mount, as shown and described.

**DESCRIPTION**

FIG. 1 is a top view of a particle sorting module mount; FIG. 2 is a front view of the particle sorting module mount; FIG. 3 is a first side perspective view of the particle sorting module mount; and, FIG. 4 is a second side perspective view of the particle sorting module mount. The broken lines illustrate portions of the particle sorting module that form no part of the claimed design.

**1 Claim, 3 Drawing Sheets**



(56)

References Cited

U.S. PATENT DOCUMENTS

D620,075 S 7/2010 Yamaguchi et al.  
 7,760,351 B2 7/2010 Cox et al.  
 D622,846 S 8/2010 Frey  
 D627,065 S 11/2010 Ade et al.  
 7,884,301 B2 2/2011 Kirstein et al.  
 7,911,617 B2 3/2011 Padmanabhan et al.  
 7,978,329 B2 7/2011 Padmanabhan et al.  
 8,004,661 B2 8/2011 Luscher  
 8,062,609 B2 11/2011 Krager et al.  
 D651,709 S 1/2012 Zeyfang  
 8,182,767 B2 5/2012 Padmanabhan et al.  
 8,277,764 B2 10/2012 Gilbert et al.  
 8,323,564 B2 12/2012 Padmanabhan et al.  
 D676,567 S \* 2/2013 van den Engh ..... D24/216  
 8,445,286 B2 5/2013 Bair et al.  
 8,610,892 B2 12/2013 Sharpe et al.  
 8,637,318 B2 1/2014 Durack et al.  
 8,795,500 B2 \* 8/2014 Shinoda ..... B01L 3/0268  
 204/600  
 8,821,791 B2 9/2014 Shibata et al.  
 D715,925 S \* 10/2014 Suzuki ..... D24/128

D717,438 S \* 11/2014 Lin ..... D24/216  
 9,040,304 B2 5/2015 Durack et al.  
 9,162,229 B2 10/2015 Gaskill-fox et al.  
 9,339,850 B2 5/2016 Deshpande et al.  
 D759,260 S 6/2016 Topolovac et al.  
 D777,317 S 1/2017 Soual et al.  
 9,556,413 B2 1/2017 Venter et al.  
 9,784,659 B2 10/2017 Tanase et al.  
 D802,150 S \* 11/2017 Lund ..... D24/186  
 9,823,252 B2 11/2017 Gilbert et al.  
 9,857,286 B2 1/2018 Yosuke et al.  
 2004/0025602 A1 \* 2/2004 Norton ..... G01N 15/1459  
 73/863.21  
 2004/0062685 A1 \* 4/2004 Norton ..... G01N 15/14  
 422/81  
 2004/0209266 A1 10/2004 Squirrell  
 2011/0217723 A1 9/2011 Durack  
 2011/0271746 A1 \* 11/2011 Shinoda ..... B01L 3/0268  
 73/61.71  
 2011/0284378 A1 \* 11/2011 Shinoda ..... B01L 3/0268  
 204/603  
 2017/0299493 A1 \* 10/2017 Norton ..... G01N 15/1436

\* cited by examiner

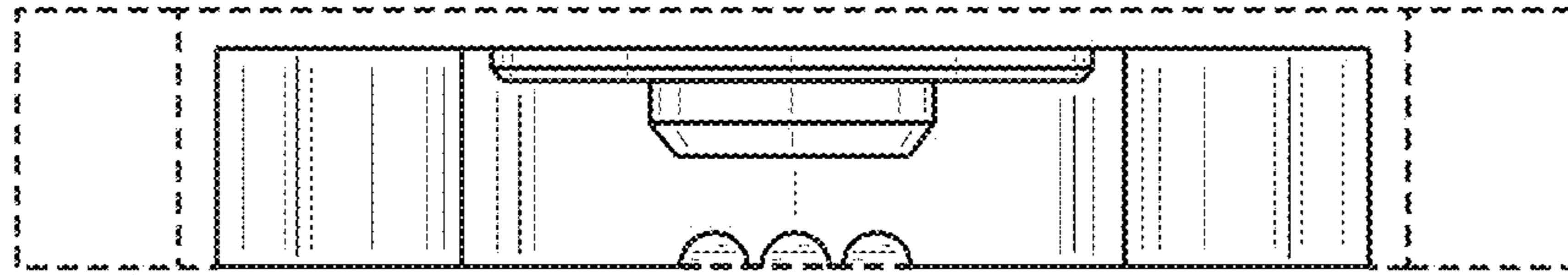


FIG. 1

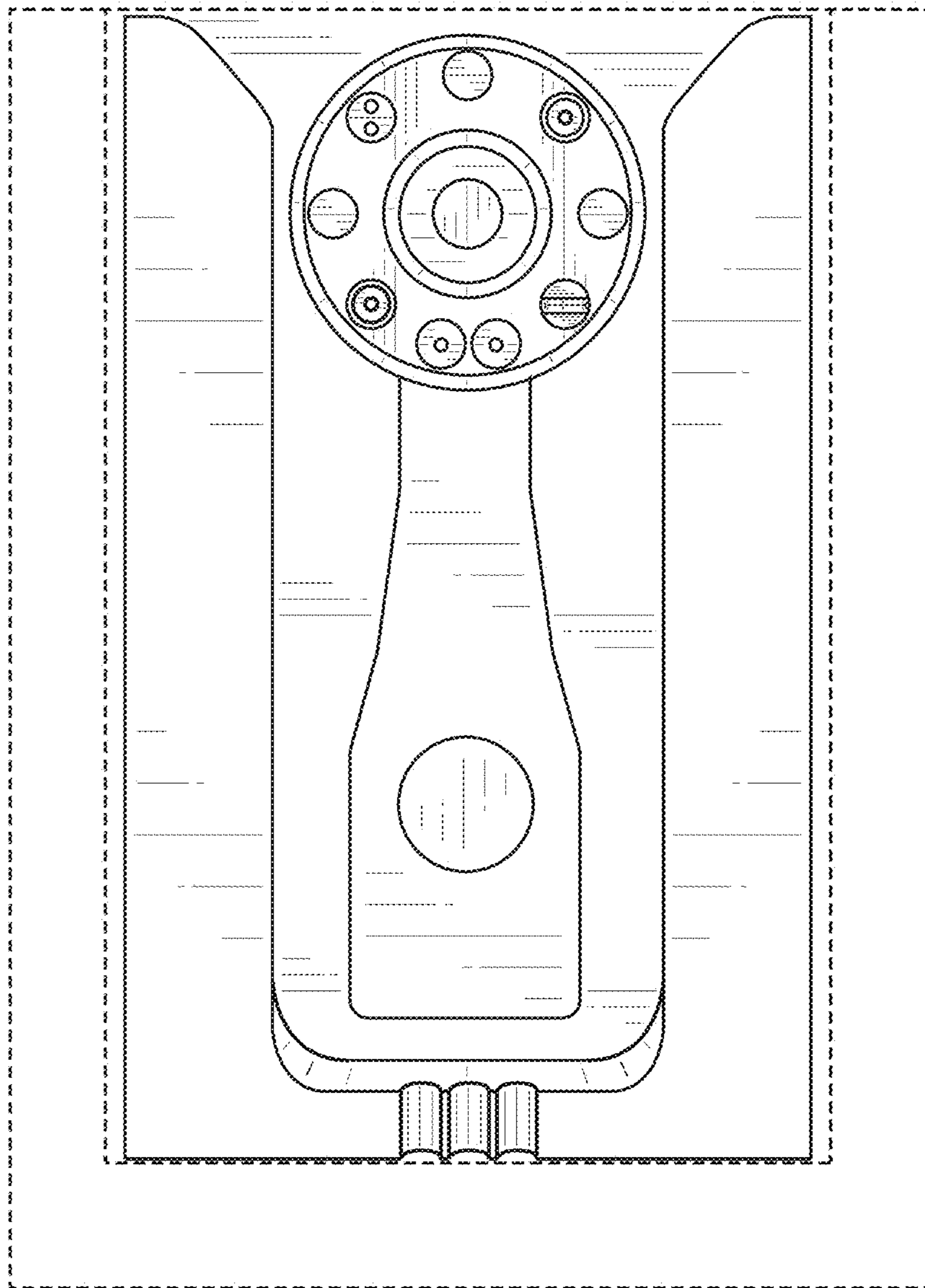


FIG. 2

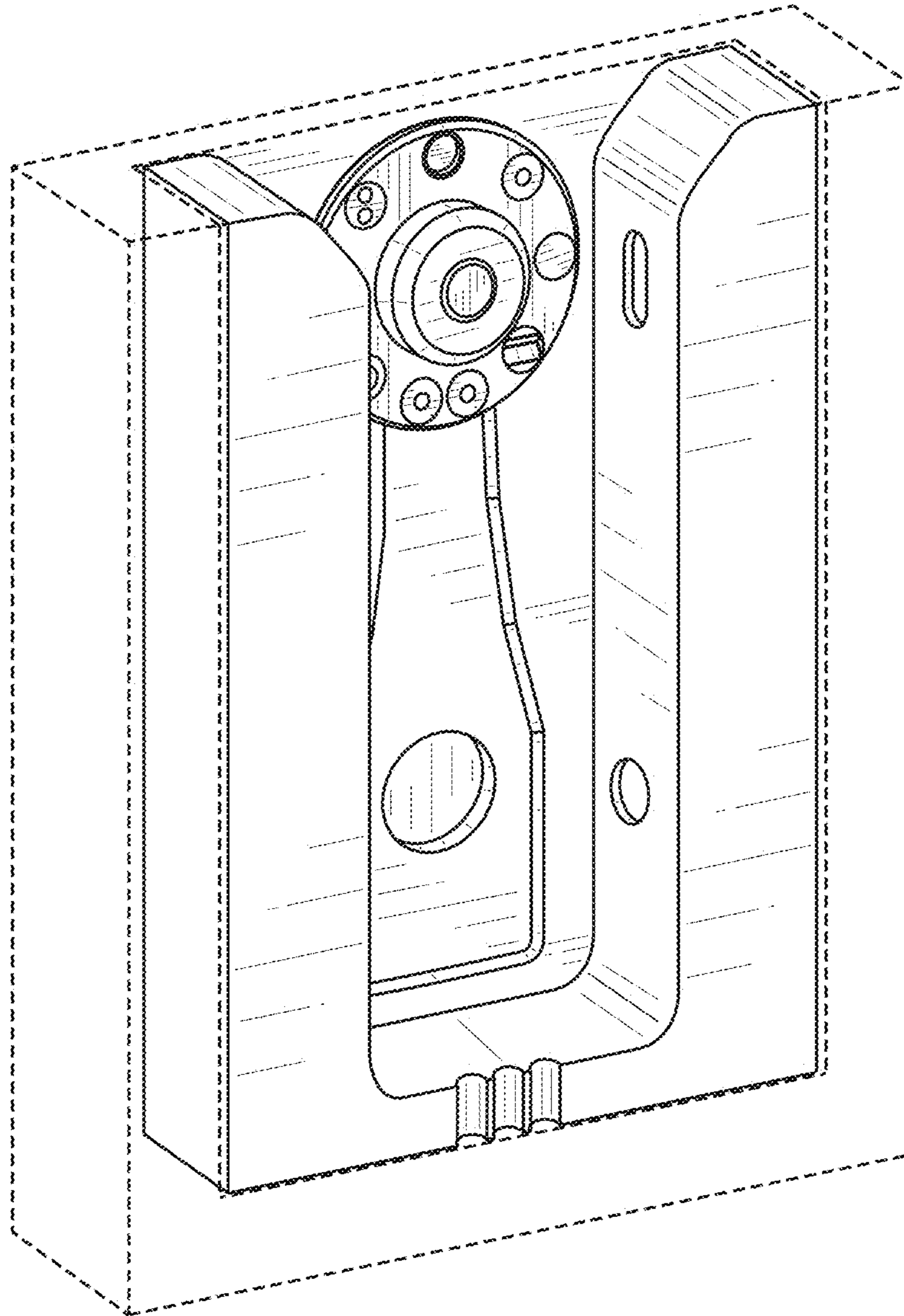


FIG. 3

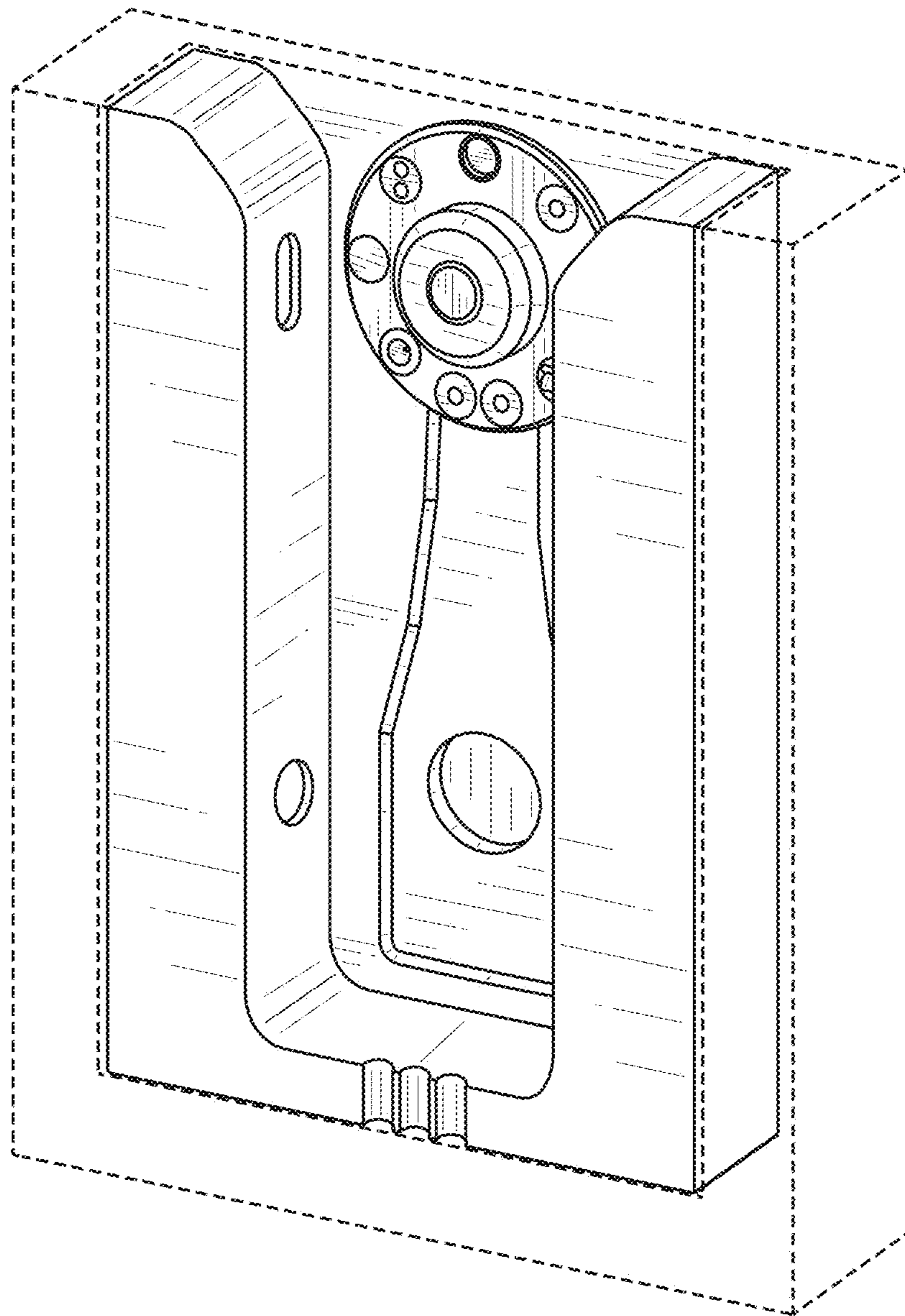


FIG. 4