



US00D87665S

(12) **United States Design Patent**
Teramura et al.

(10) **Patent No.:** **US D876,665 S**

(45) **Date of Patent:** **** Feb. 25, 2020**

(54) **CULTURE DEVICE**
(71) Applicant: **JNC CORPORATION**, Tokyo (JP)
(72) Inventors: **Hajime Teramura**, Kanagawa (JP); **Aoi Fujiwara**, Kanagawa (JP)
(73) Assignee: **JNC CORPORATION**, Tokyo (JP)

D674,505 S * 1/2013 Cecchi D24/224
D698,940 S * 2/2014 Pribenszky D24/224
D707,039 S * 6/2014 Zerlin D3/203.2
D767,162 S * 9/2016 Schimmel D24/226
D790,334 S * 6/2017 Pan D9/423
D811,740 S * 3/2018 Harrison D3/264
D831,842 S * 10/2018 Katsumata D24/224
D834,302 S * 11/2018 Paz D3/203.1
D834,303 S * 11/2018 Paz D3/203.1

(**) Term: **15 Years**

FOREIGN PATENT DOCUMENTS

(21) Appl. No.: **29/639,115**

CN 201530331985 * 8/2015

(22) Filed: **Mar. 4, 2018**

* cited by examiner

(30) **Foreign Application Priority Data**

Primary Examiner — Susan Bennett Hattan
Assistant Examiner — Omeed Agilee

Sep. 4, 2017 (JP) D2017-019064

(51) **LOC (12) Cl.** **24-02**

(52) **U.S. Cl.**
USPC **D24/224; D24/225**

(58) **Field of Classification Search**
USPC D24/216, 223–227, 229–232; D9/537,
D9/545, 549; D3/203.1, 203.2; D10/81
CPC .. B01L 3/0275; B01L 3/5085; B01L 3/50825;
C12M 23/10; C12M 23/12
See application file for complete search history.

(57) **CLAIM**

The ornamental design for a culture device, as shown and described.

(56) **References Cited**

DESCRIPTION

U.S. PATENT DOCUMENTS

D227,744 S * 7/1973 Mitchko D3/203.2
D238,756 S * 2/1976 Swett D3/203.2
D238,886 S * 2/1976 Goy D24/224
D258,761 S * 3/1981 Graham D24/226
D295,319 S * 4/1988 Franchere D24/224
D303,428 S * 9/1989 Wada D24/224
D316,752 S * 5/1991 Ricketts D24/226
D316,753 S * 5/1991 Ricketts D24/224
D431,300 S * 9/2000 Fisch D24/225
D544,343 S * 6/2007 Liebe D28/78
D658,362 S * 5/2012 Nassiri D3/203.2

FIG. 1 is a front elevational view of a culture device showing our new design;
FIG. 2 is a rear elevational view thereof;
FIG. 3 is a right side elevational view thereof;
FIG. 4 is a left side elevational view thereof;
FIG. 5 is a top plan view thereof; and
FIG. 6 is a bottom plan view thereof.
FIG. 7 is a cross-sectional view thereof taken along line 7-7 of FIG. 1;
FIG. 8 is a cross-sectional view thereof taken along line 8-8 shown in FIG. 3;
FIG. 9 is a rear elevational view thereof in an open position;
FIG. 10 is a front elevational view thereof in an open position; and,
FIG. 11 is a left side elevational view thereof in an open position.

1 Claim, 11 Drawing Sheets

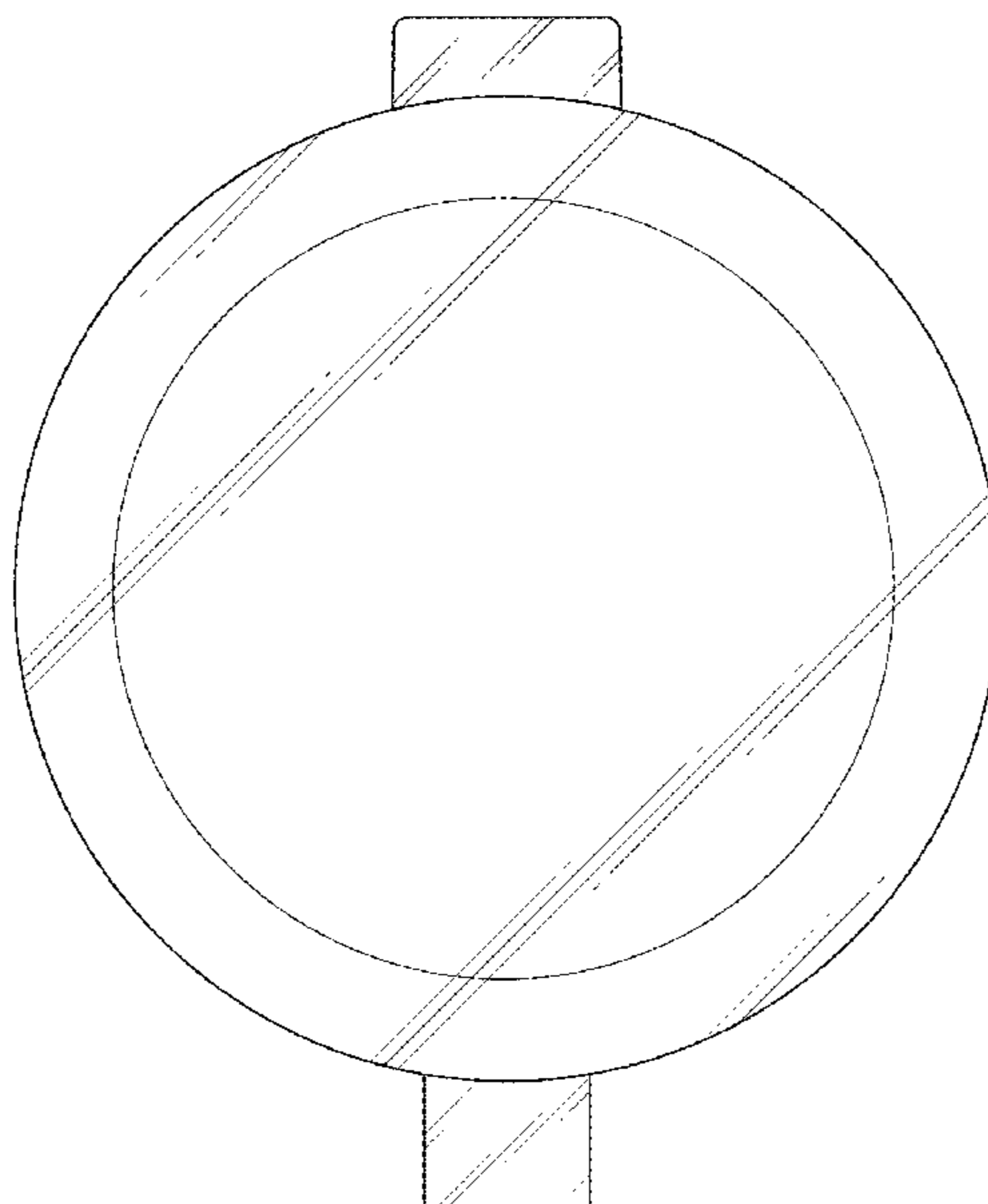


FIG. 1

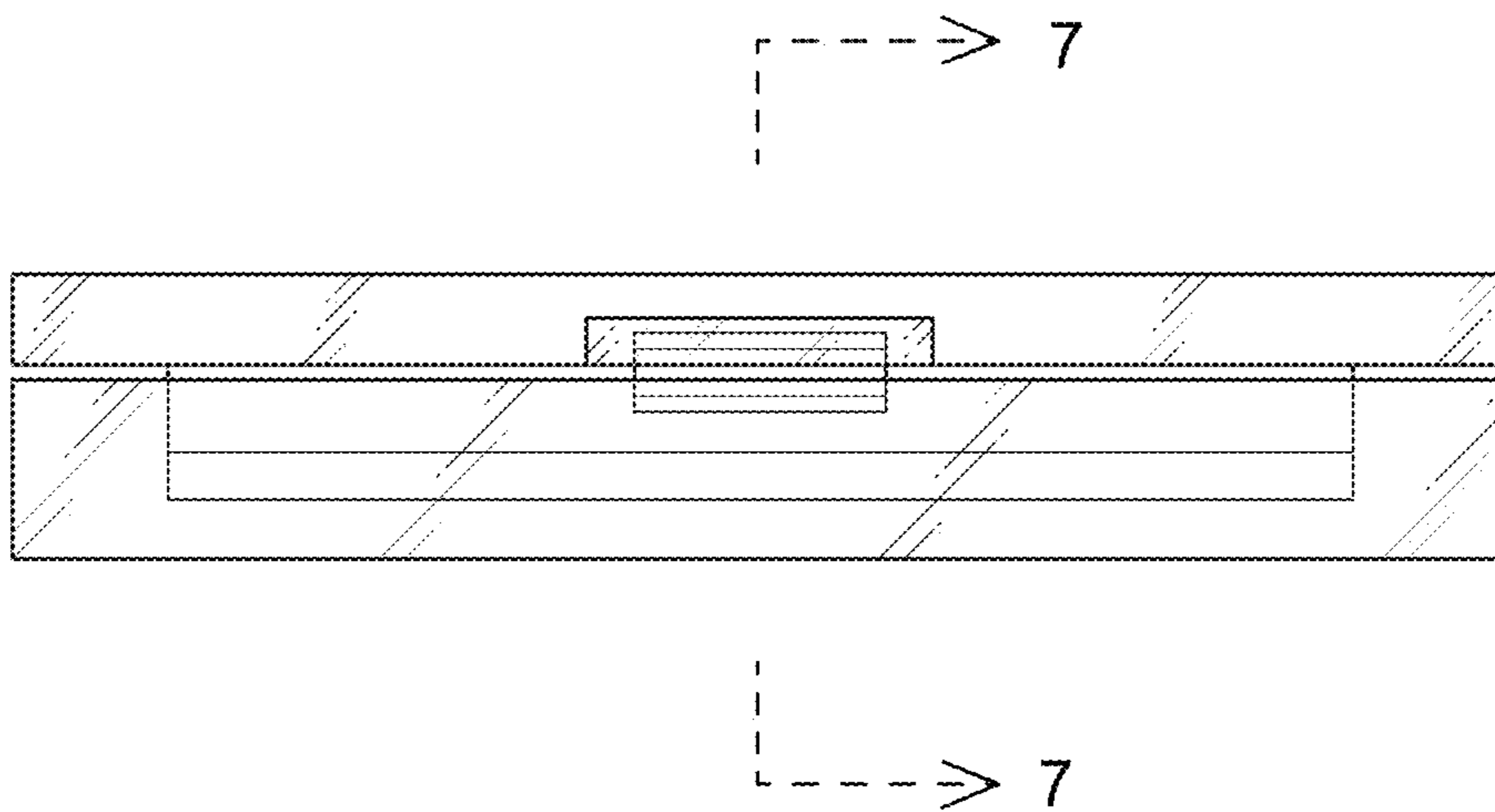


FIG. 2

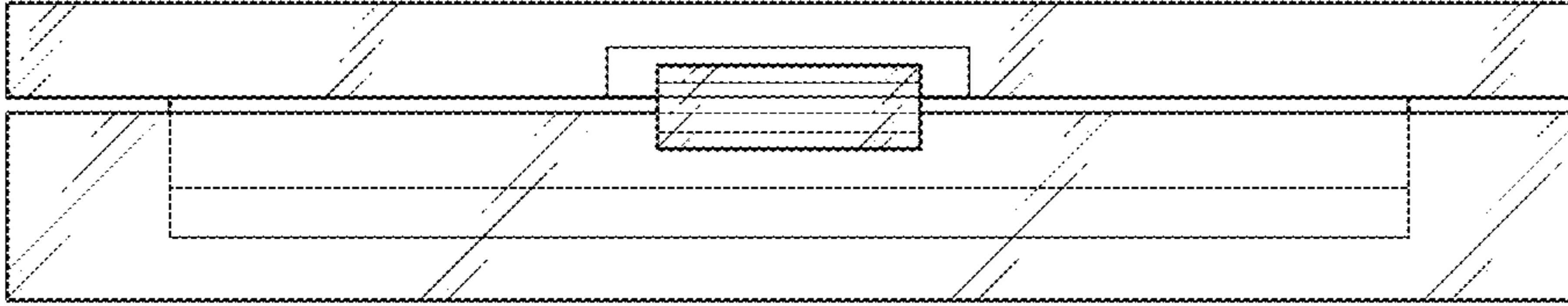


FIG. 3

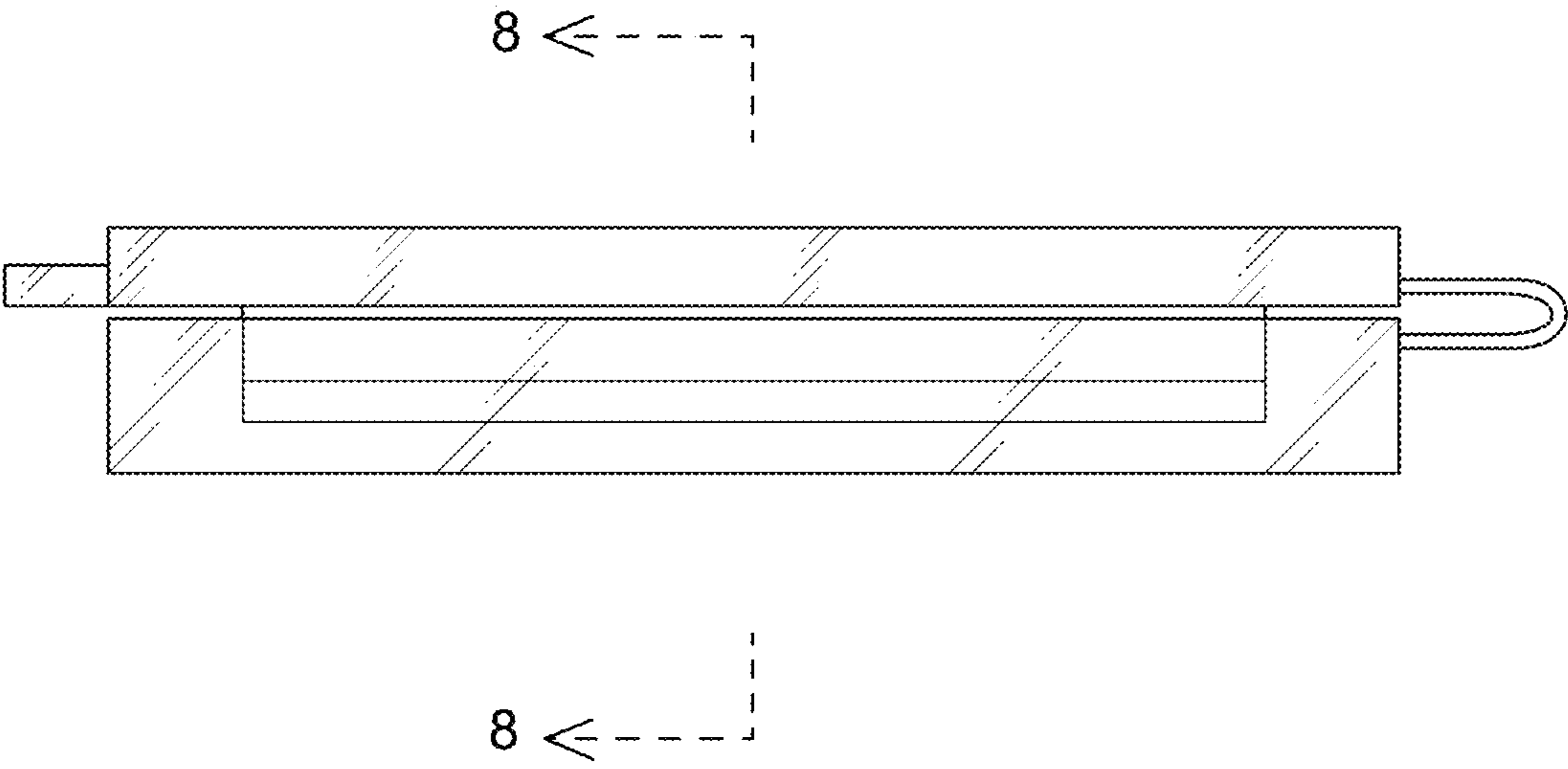


FIG. 4

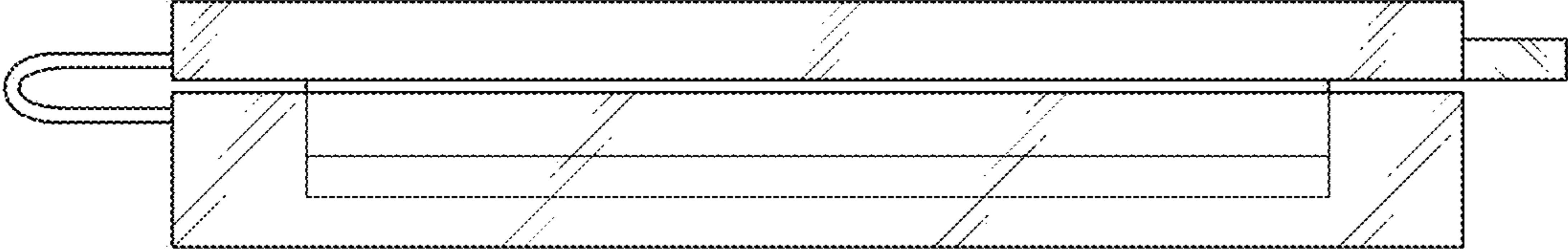


FIG. 5

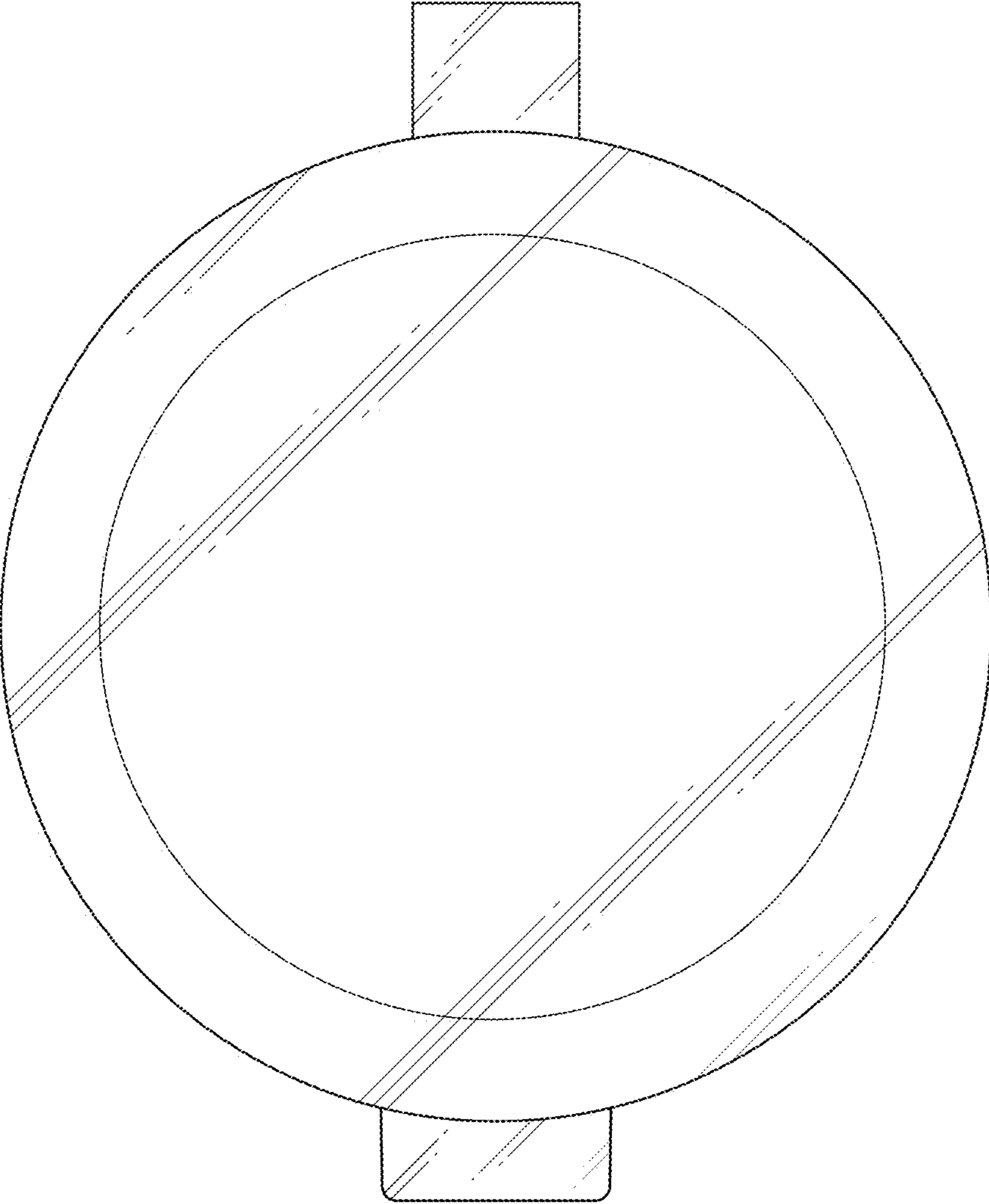


FIG. 6

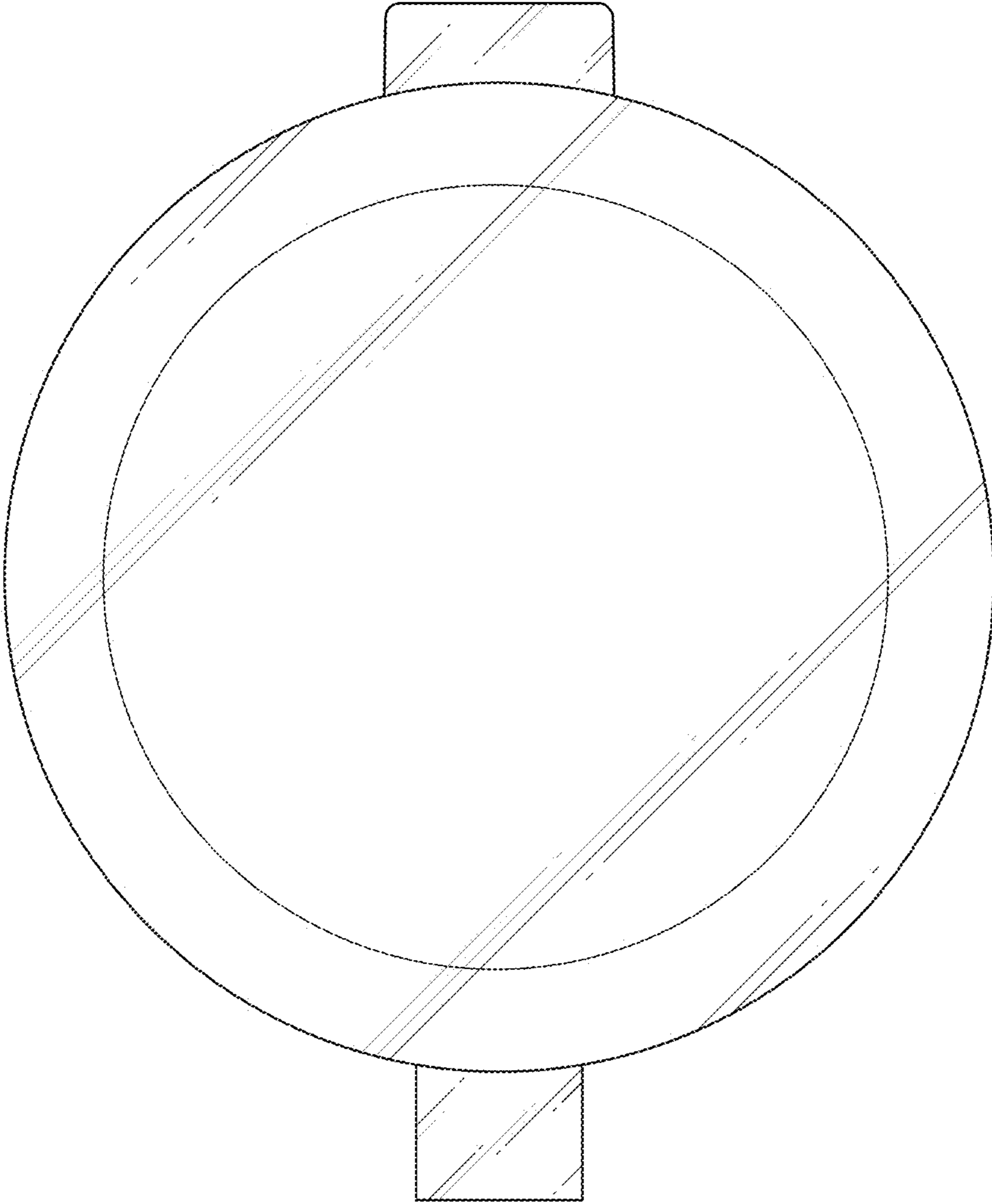


FIG. 7

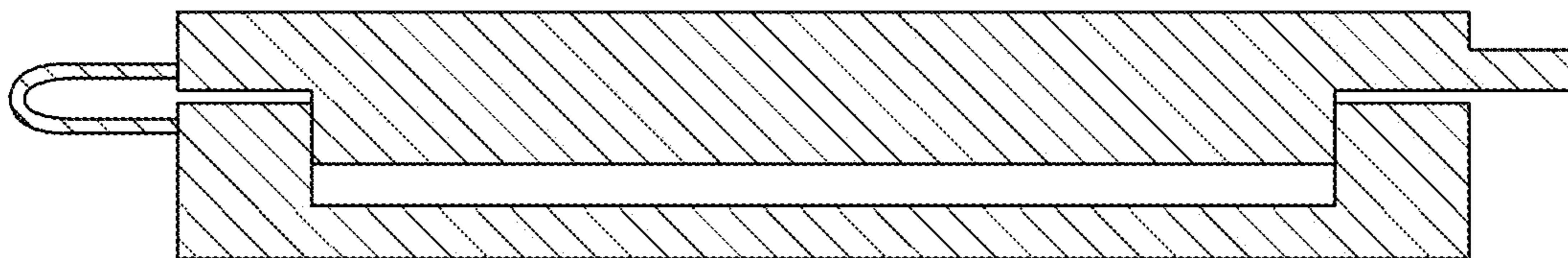


FIG. 8

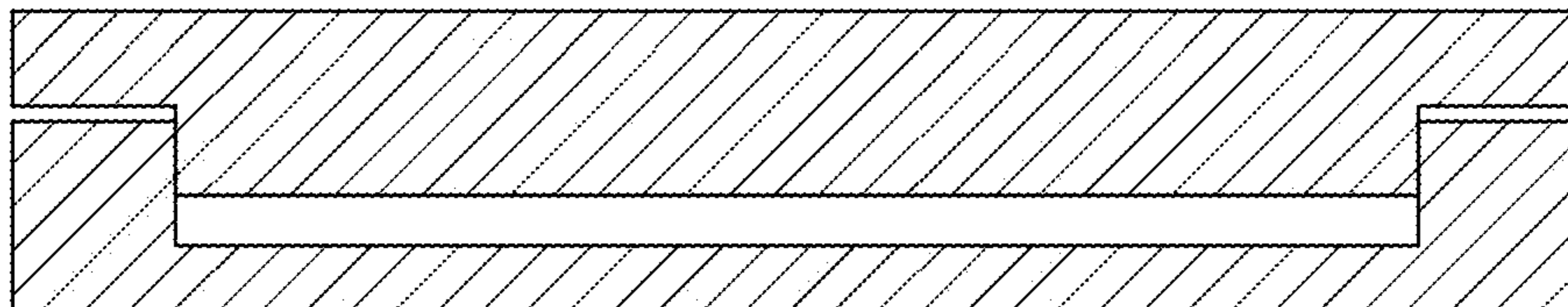


FIG. 9

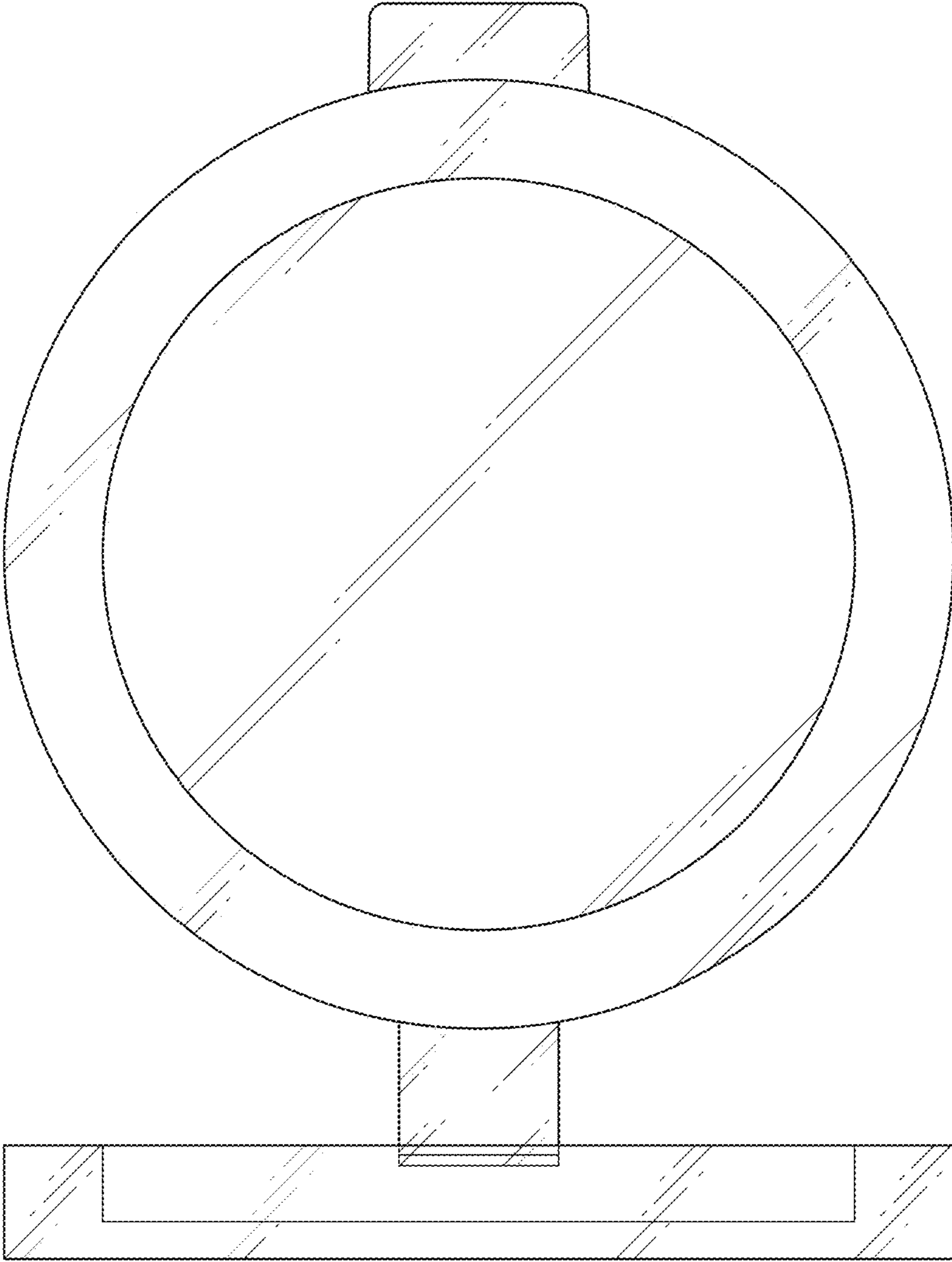


FIG. 10

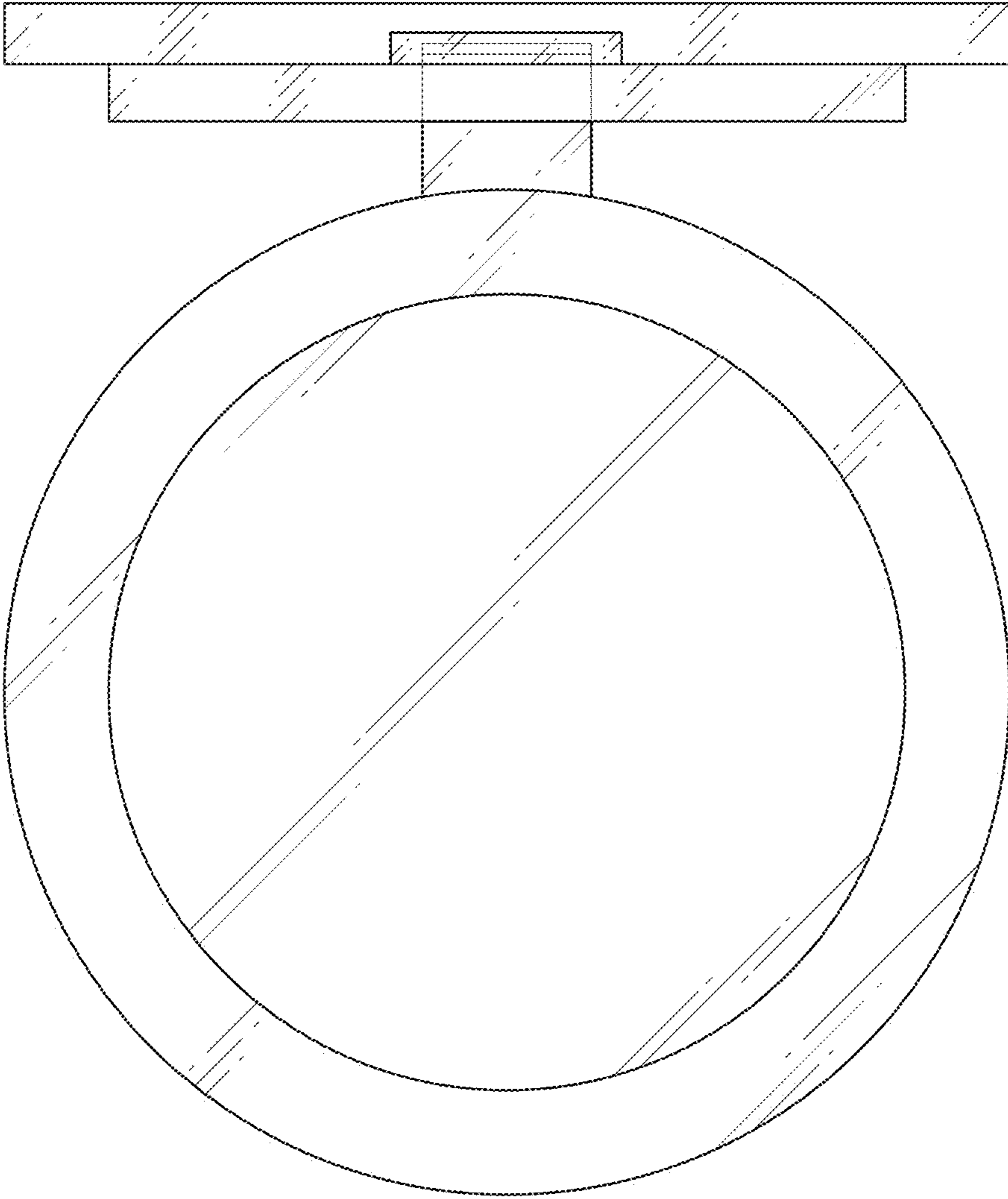


FIG. 11

