



US00D876663S

(12) **United States Design Patent** (10) **Patent No.:** **US D876,663 S**
Yellen et al. (45) **Date of Patent:** **** Feb. 25, 2020**

(54) **HANDHELD UV DISINFECTANT UNIT**
(71) Applicant: **Healthy Signoff, LLC**, Scottsdale, AZ (US)
(72) Inventors: **Iris Yellen**, Bloomfield Hills, MI (US); **Shelley Katz**, Scottsdale, AZ (US); **Mario Alexander Esquer**, Scottsdale, AZ (US)
(73) Assignee: **Healthy Signoff, LLC**, Scottsdale, AZ (US)
(**) Term: **15 Years**
(21) Appl. No.: **29/682,512**
(22) Filed: **Mar. 6, 2019**

(56) **References Cited**
U.S. PATENT DOCUMENTS
D485,364 S 1/2004 Lee
D502,266 S 2/2005 Shin
D542,930 S 5/2007 Shin
D652,529 S 1/2012 Eum
D752,997 S 4/2016 Miller et al.
D841,180 S * 2/2019 Latchman-Bloom D24/217
D846,142 S * 4/2019 Yellen D24/217
2010/0102252 A1 4/2010 Harmon et al.
2018/0117191 A1 5/2018 Shell
* cited by examiner

Primary Examiner — Anhdao Doan
(74) *Attorney, Agent, or Firm* — Brooks Kushman P.C.

(57) **CLAIM**
The ornamental design for a handheld UV disinfectant unit, as shown and described.

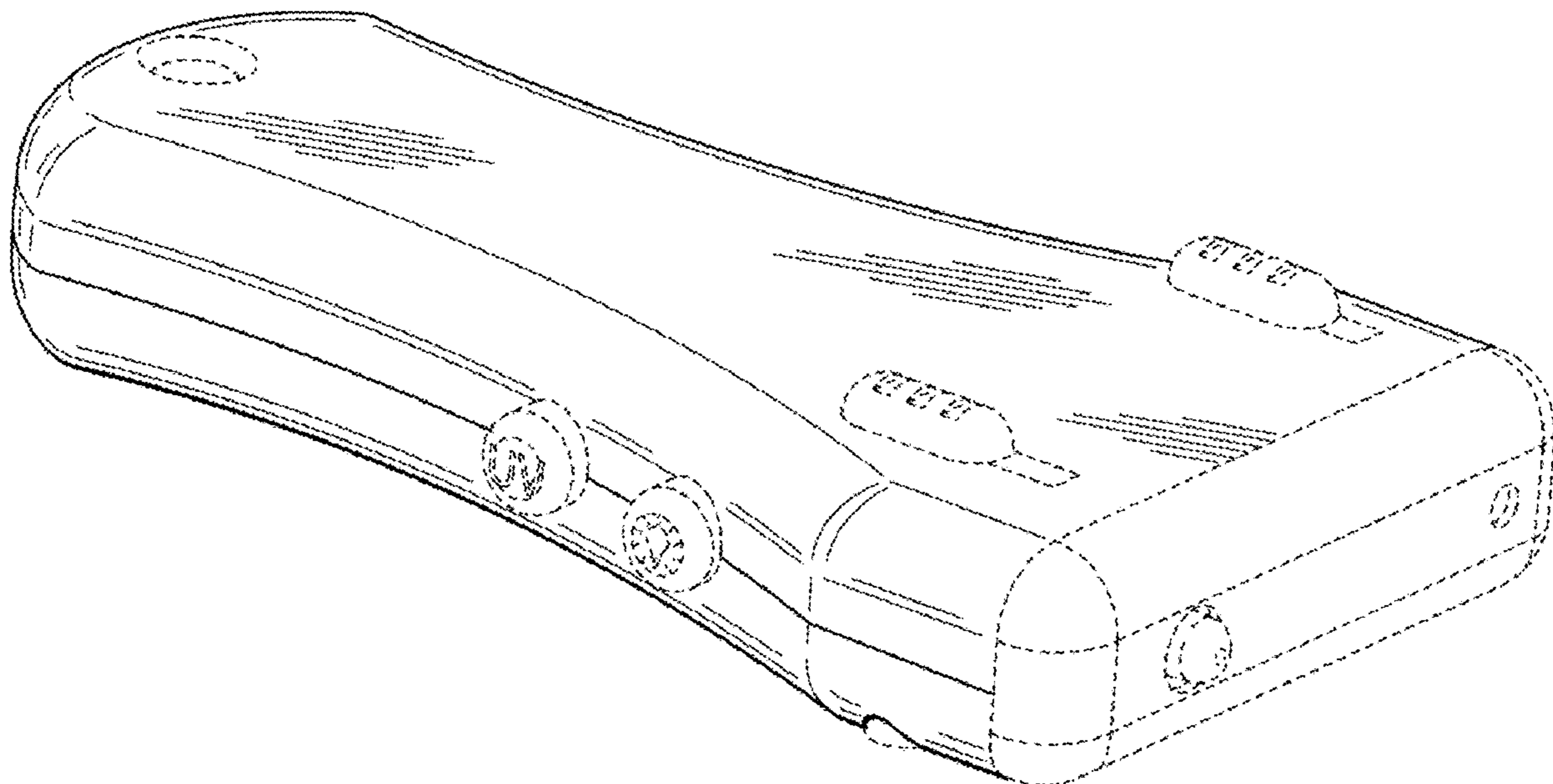
Related U.S. Application Data

(62) Division of application No. 29/630,297, filed on Dec. 20, 2017, now Pat. No. Des. 846,142.
(51) **LOC (12) Cl.** **24-01**
(52) **U.S. Cl.**
USPC **D24/217**
(58) **Field of Classification Search**
USPC D24/118, 121, 207, 216, 217, 218, 219, D24/220, 224, 232; D3/303; D9/420; D10/78
CPC A61L 2/26; A61L 2/24; A61L 2/17; A61L 2/18; A61L 2/025; A61L 2202/122; A61L 2202/10; A61L 2202/11; A61L 2202/14; A61L 2202/23; A61L 2202/24; A61L 2202/182
See application file for complete search history.

DESCRIPTION

FIG. 1 is a front perspective view of a handheld ultraviolet (UV) disinfectant unit, showing my new design;
FIG. 2 is top plan view of FIG. 1;
FIG. 3 is a bottom plan view of FIG. 1;
FIG. 4 is a right side elevational view of FIG. 1;
FIG. 5 is a left side elevational view of FIG. 1;
FIG. 6 is a rear elevational view of FIG. 1; and,
FIG. 7 is a front elevational view of FIG. 1.
The broken lines immediately adjacent the shaded areas represent the bounds of the claim, while all other broken lines are directed to environment and are for illustrative purposes only; the broken lines form no part of the claimed design.

1 Claim, 4 Drawing Sheets



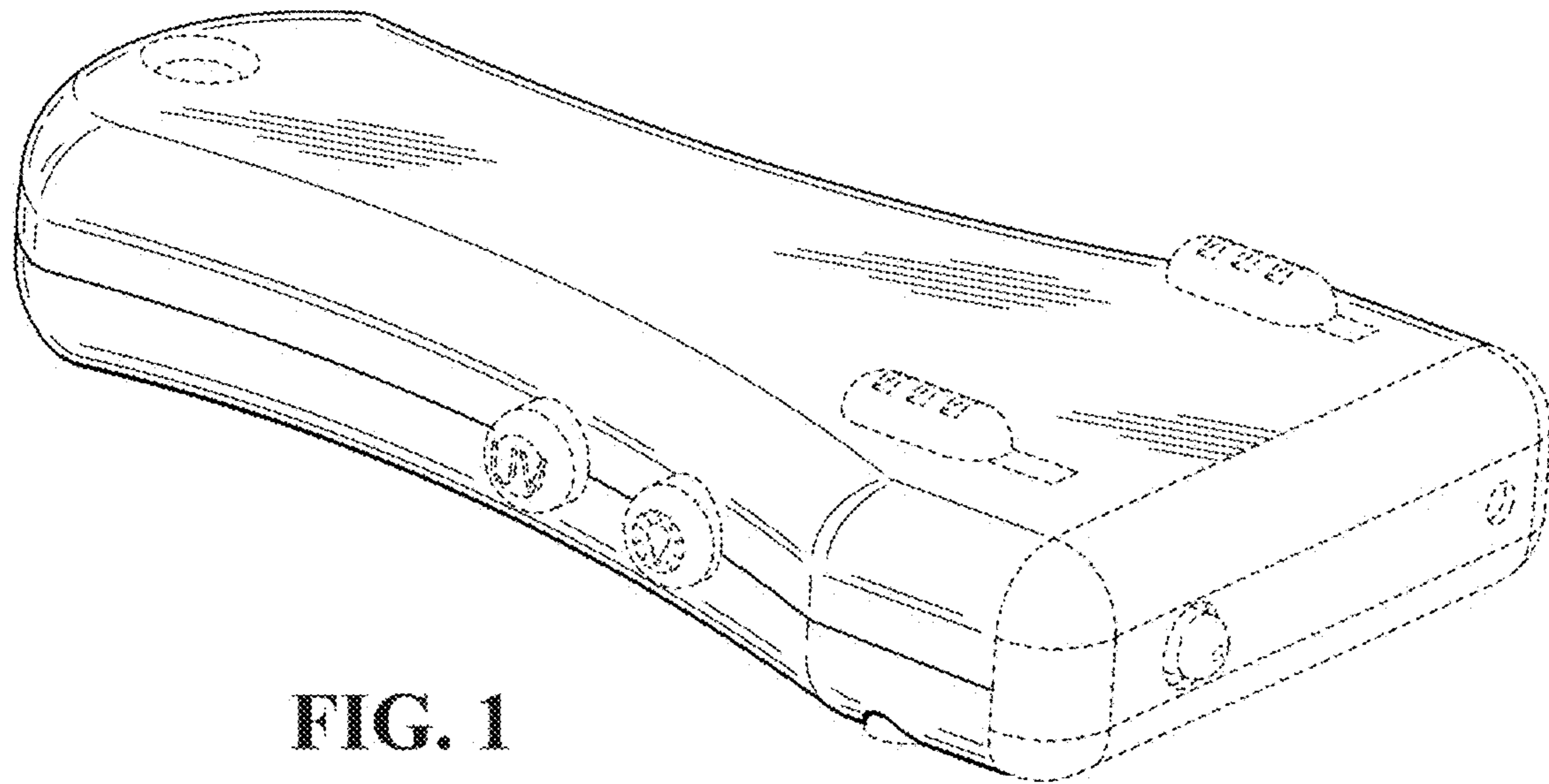


FIG. 1

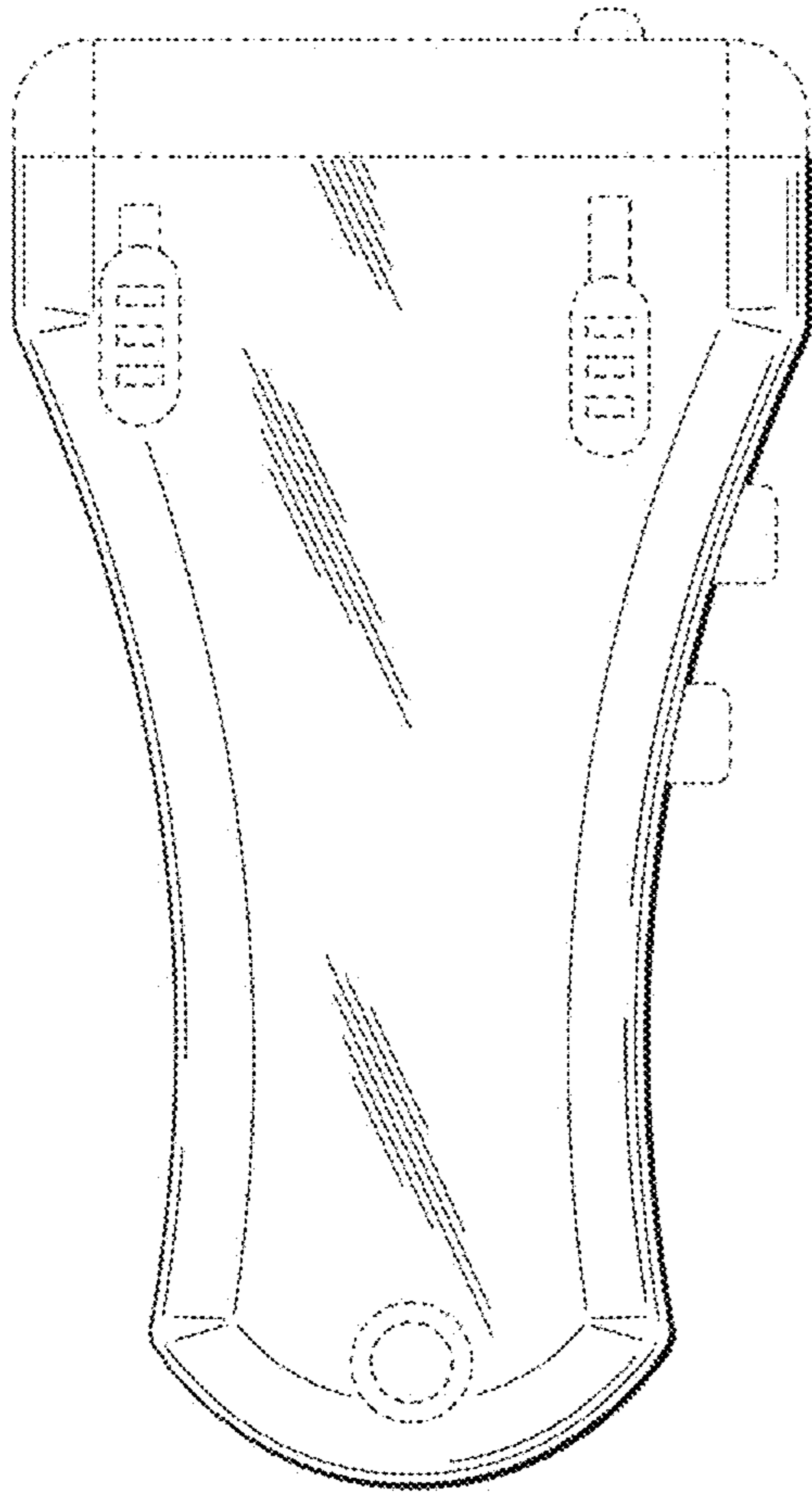


FIG. 2

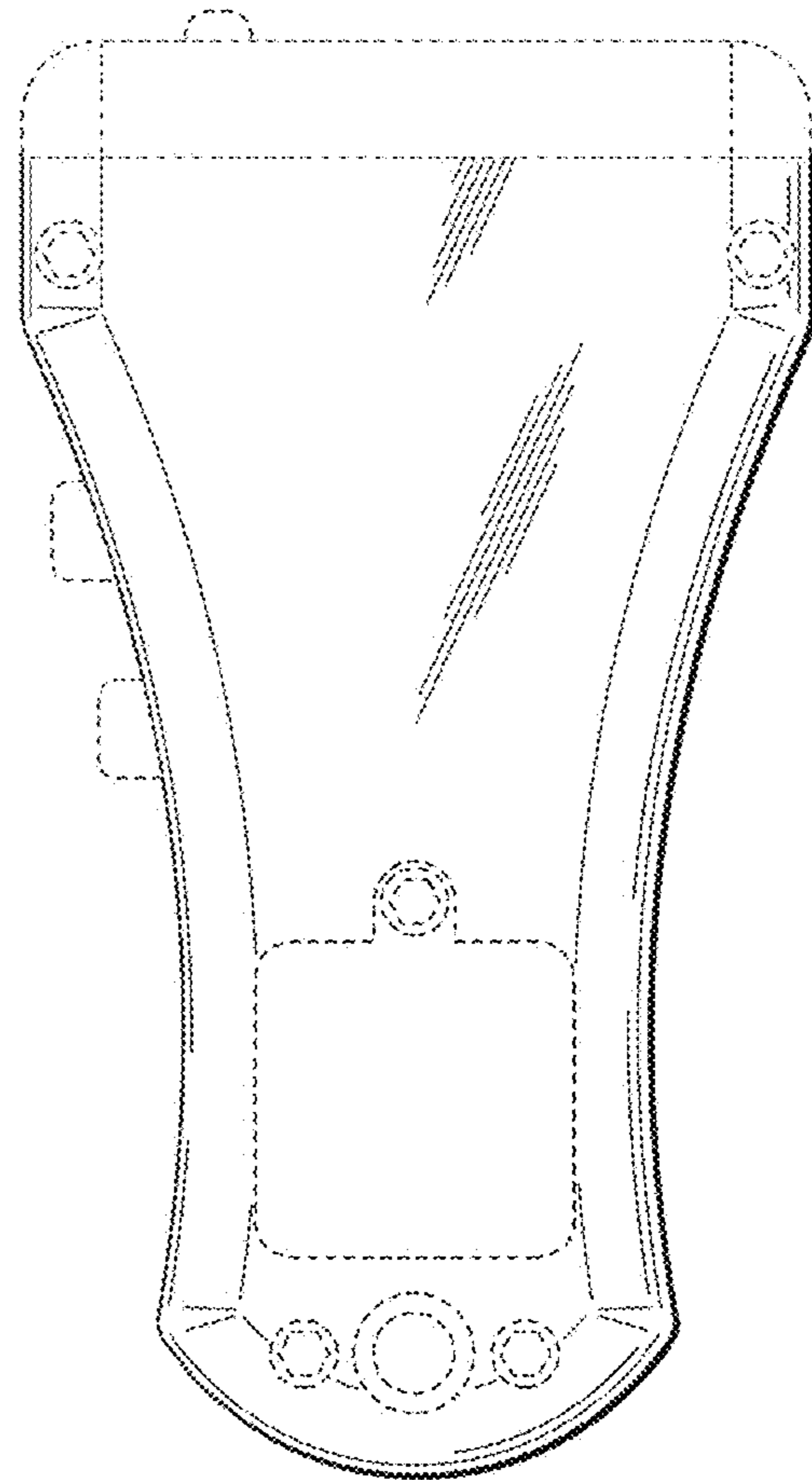


FIG. 3

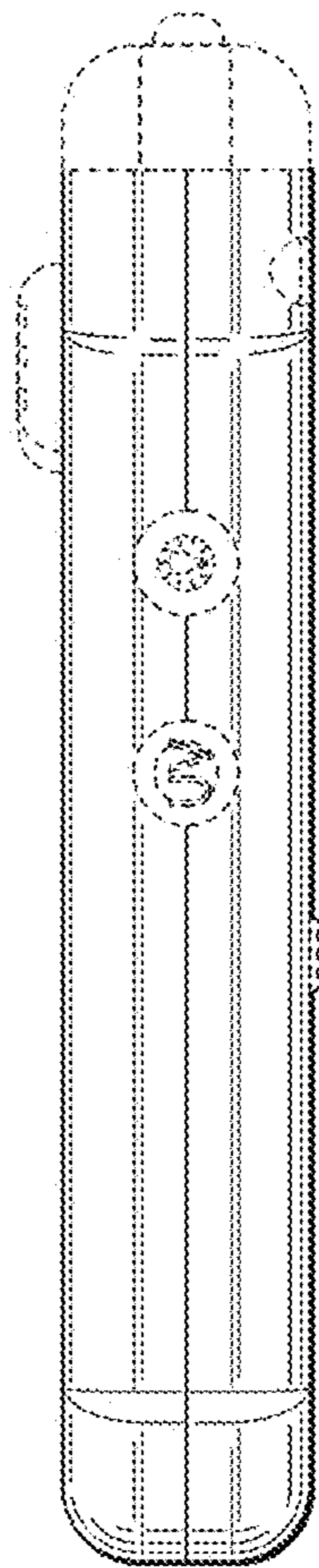


FIG. 4

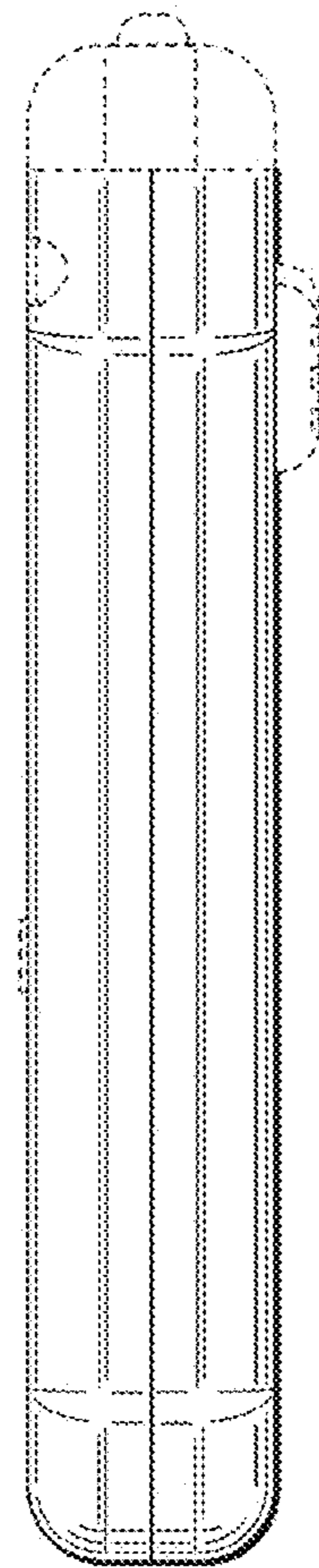


FIG. 5

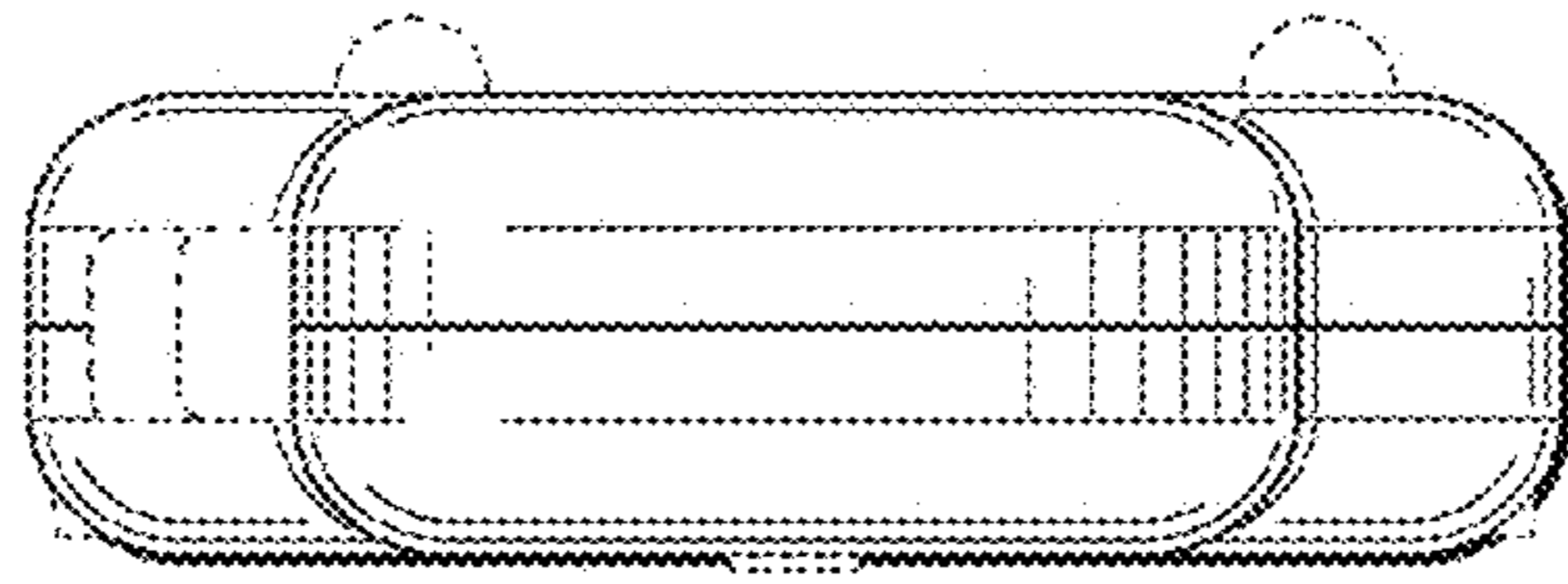


FIG. 6

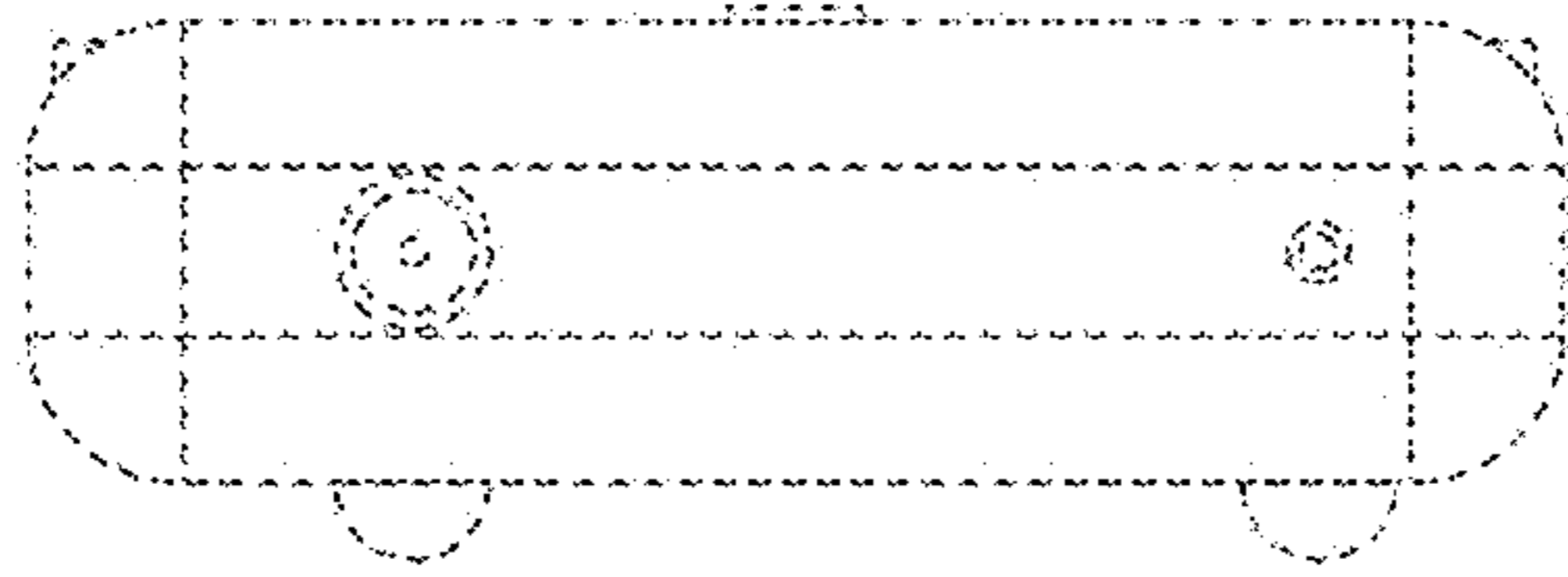


FIG. 7