

US00D876659S

(12) **United States Design Patent** (10) **Patent No.:** **US D876,659 S**
Wang (45) **Date of Patent:** **** Feb. 25, 2020**

(54) **BREAST MASSAGER**
(71) Applicant: **Fang Wang**, Guangdong (CN)
(72) Inventor: **Fang Wang**, Guangdong (CN)
(**) Term: **15 Years**
(21) Appl. No.: **29/654,421**
(22) Filed: **Jun. 25, 2018**
(51) **LOC (12) Cl.** **28-03**
(52) **U.S. Cl.**
USPC **D24/215**
(58) **Field of Classification Search**
USPC 601/15, 18, 19, 46, 47, 48, 52, 99, 112,
601/113, 118, 135, 137, DIG. 12,
601/DIG. 14, DIG. 15, DIG. 16, DIG. 17;
D24/133, 200, 211, 212, 213, 214, 215;
D30/160; D6/536, 539; D11/30, 33, 40,
D11/44, 48, 50, 81, 84, 99, 133, 139,
D11/204, 217, 223, 238, 241
CPC A61H 1/00; A61H 2201/0153; A61H
2201/169; A61H 7/002; A61H 7/007
See application file for complete search history.

(56) **References Cited**
U.S. PATENT DOCUMENTS

D14,495 S * 12/1883 Lockwood D6/539
D37,114 S * 8/1904 Crane D23/339
D137,406 S * 3/1944 Chesebro D11/55
D186,240 S * 9/1959 Hubert D11/86
D316,309 S * 4/1991 Plymale D26/118
D322,519 S * 12/1991 Holtz D11/48
D326,327 S * 5/1992 Sue D24/200
D392,503 S * 3/1998 Cummings D7/354
D396,239 S * 7/1998 Hsieh D15/146
D402,843 S * 12/1998 Flauto D6/584
D414,719 S * 10/1999 Fildan D11/217
D423,851 S * 5/2000 Roth D6/532
D426,668 S * 6/2000 Hollinger D26/125
D446,980 S * 8/2001 Lillelund D6/536
D464,746 S * 10/2002 Yu D26/26

D524,445 S * 7/2006 Liang D24/211
D610,695 S * 2/2010 Forte D24/211
D626,247 S * 10/2010 Nitsch D24/215
D626,656 S * 11/2010 Jarry D24/215
D632,400 S * 2/2011 Bludorn D24/189
D657,885 S * 4/2012 Imboden D24/215
D664,665 S * 7/2012 Wahng D24/214
D665,090 S * 8/2012 Tucker D24/214
D677,394 S * 3/2013 Grust D24/215
D700,351 S * 2/2014 Kojima D24/215
D707,842 S * 6/2014 Li D24/215
D712,056 S * 8/2014 Deramo D24/215
8,801,642 B1 * 8/2014 Slominski A61H 7/001
601/134
D727,523 S * 4/2015 Qian D24/215
(Continued)

OTHER PUBLICATIONS

Amazon, "Pepperlonely_Sea Shells", Nov. 14, 2016. https://www.amazon.com/PEPPERLONELY-Thick-Pectin-Amiculam-Shells/dp/B073VZHG39/ref=cm_cr_ar_p_d_product_top?ie=UTF8. Shown on p. 1. (Year: 2016).*

Primary Examiner — Cynthia Ramirez
Assistant Examiner — Michael A Maharajh

(57) **CLAIM**

The ornamental design for a breast massager, as shown and described.

DESCRIPTION

FIG. 1 is a front elevational view of a breast massager showing my new design;
FIG. 2 is a rear elevational view thereof;
FIG. 3 is a left side view thereof;
FIG. 4 is a right side view thereof;
FIG. 5 is a top plan view thereof;
FIG. 6 is a bottom plan view thereof;
FIG. 7 is a front perspective view thereof; and,
FIG. 8 is a rear perspective view thereof.

1 Claim, 8 Drawing Sheets

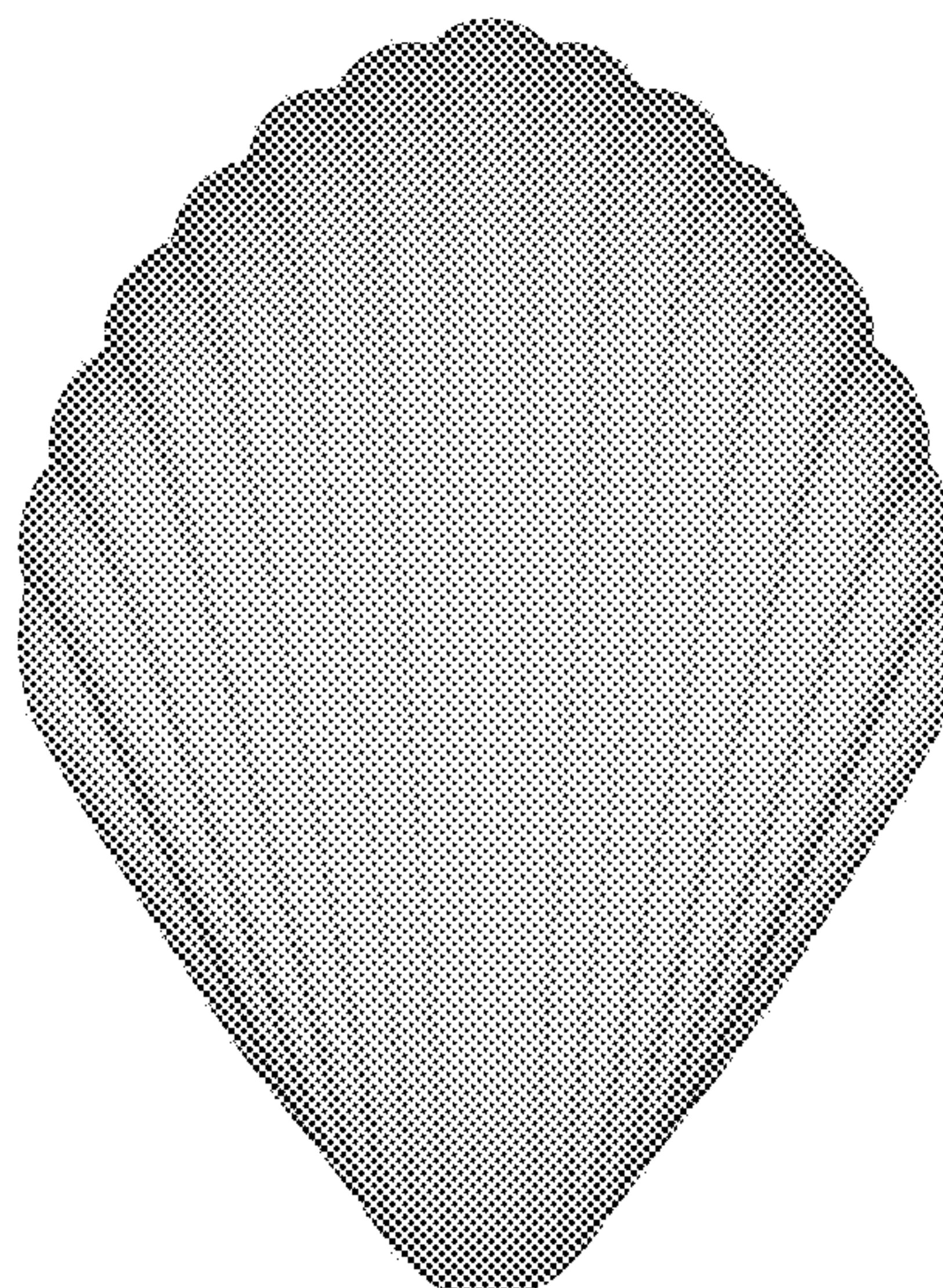




Fig. 1

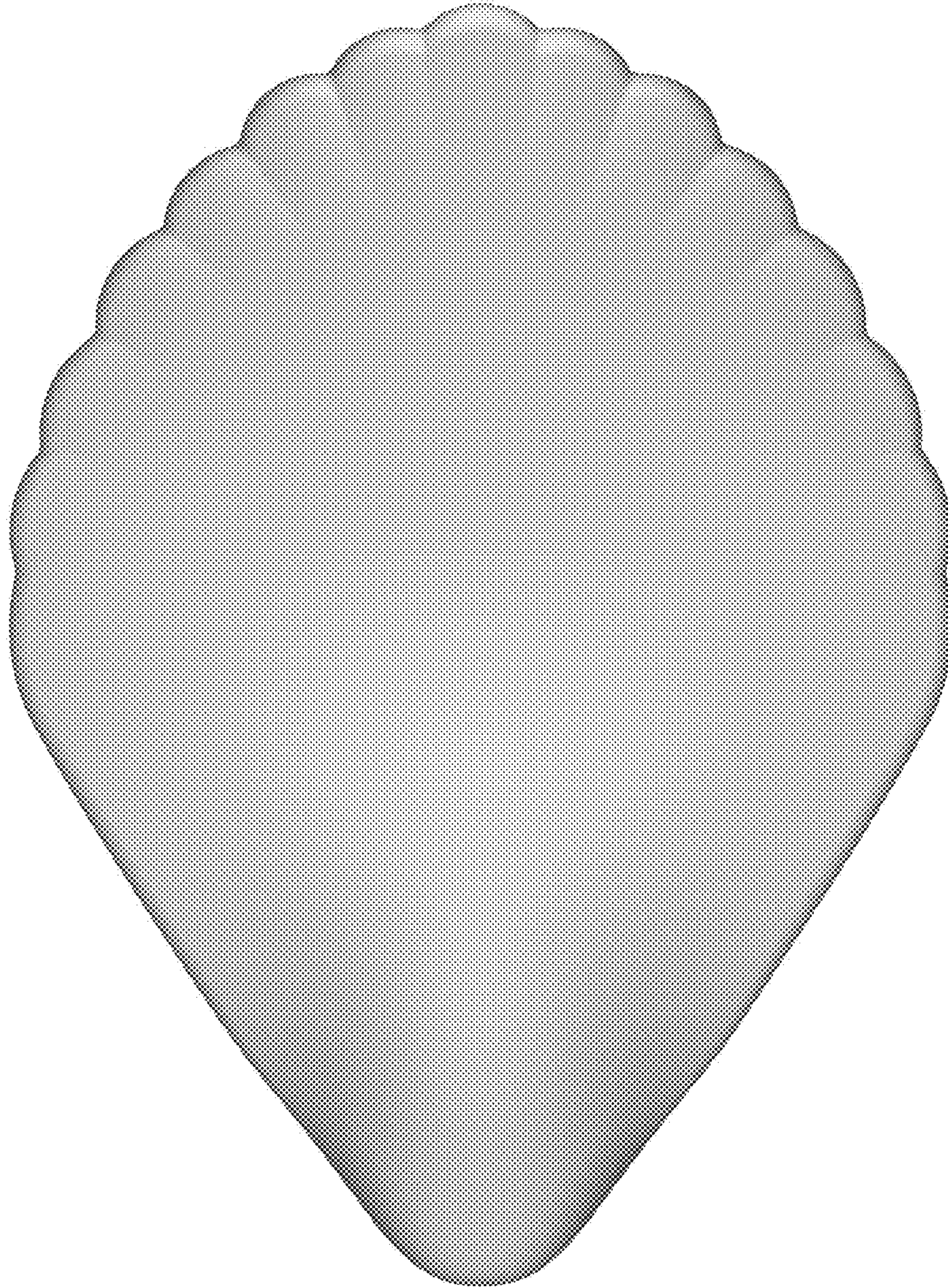


Fig. 2

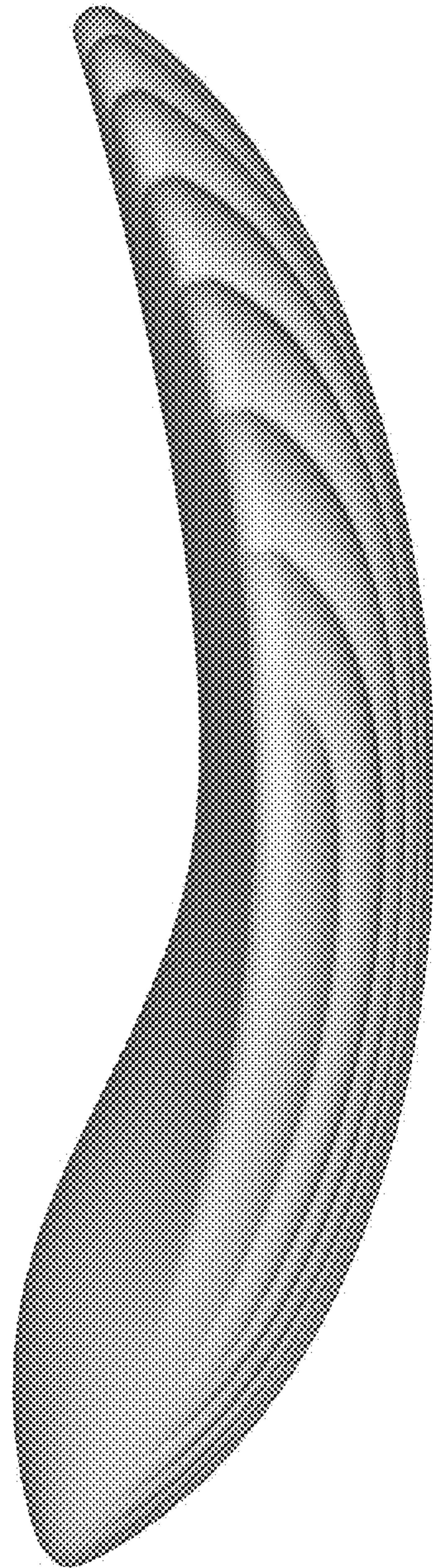


Fig. 3

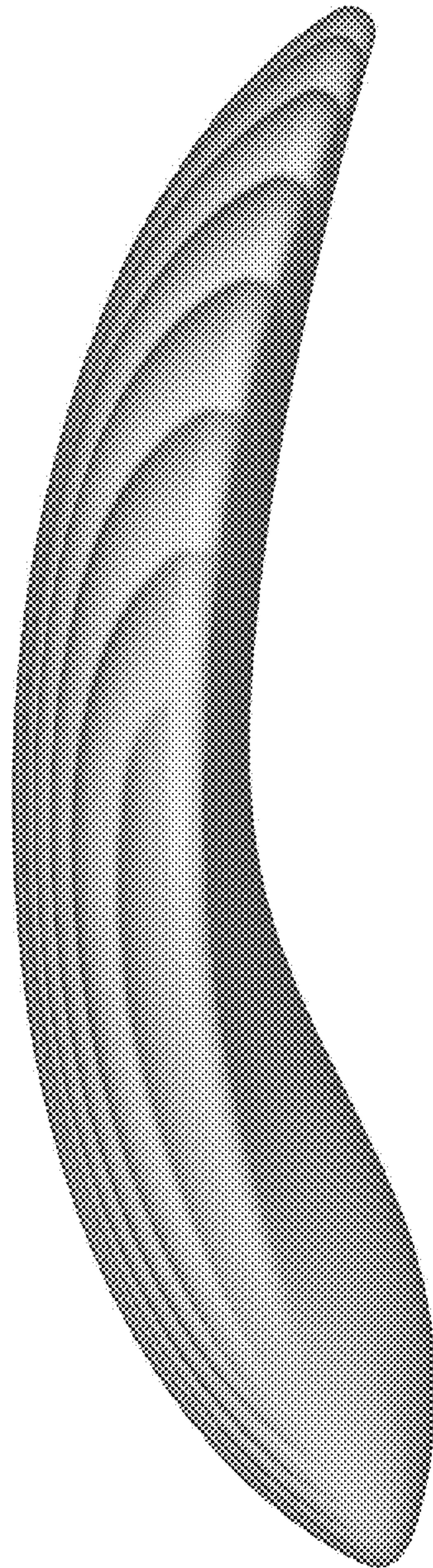


Fig. 4

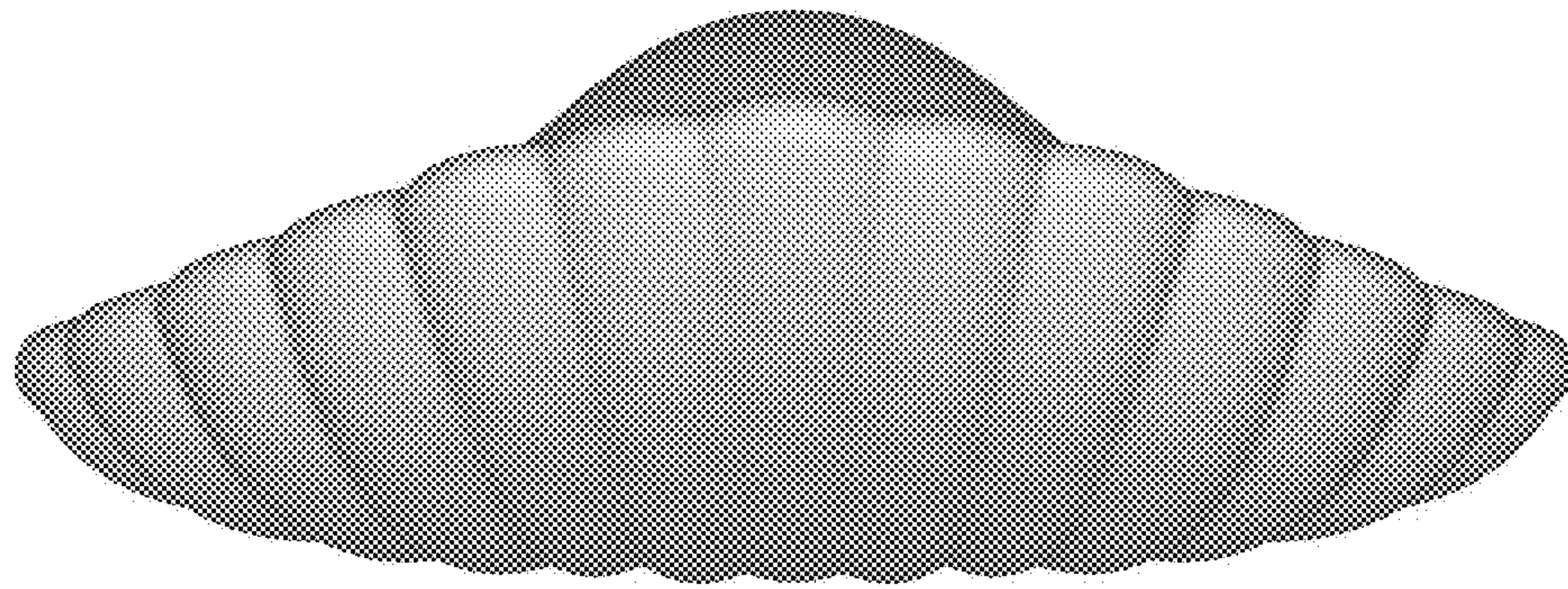


Fig. 5

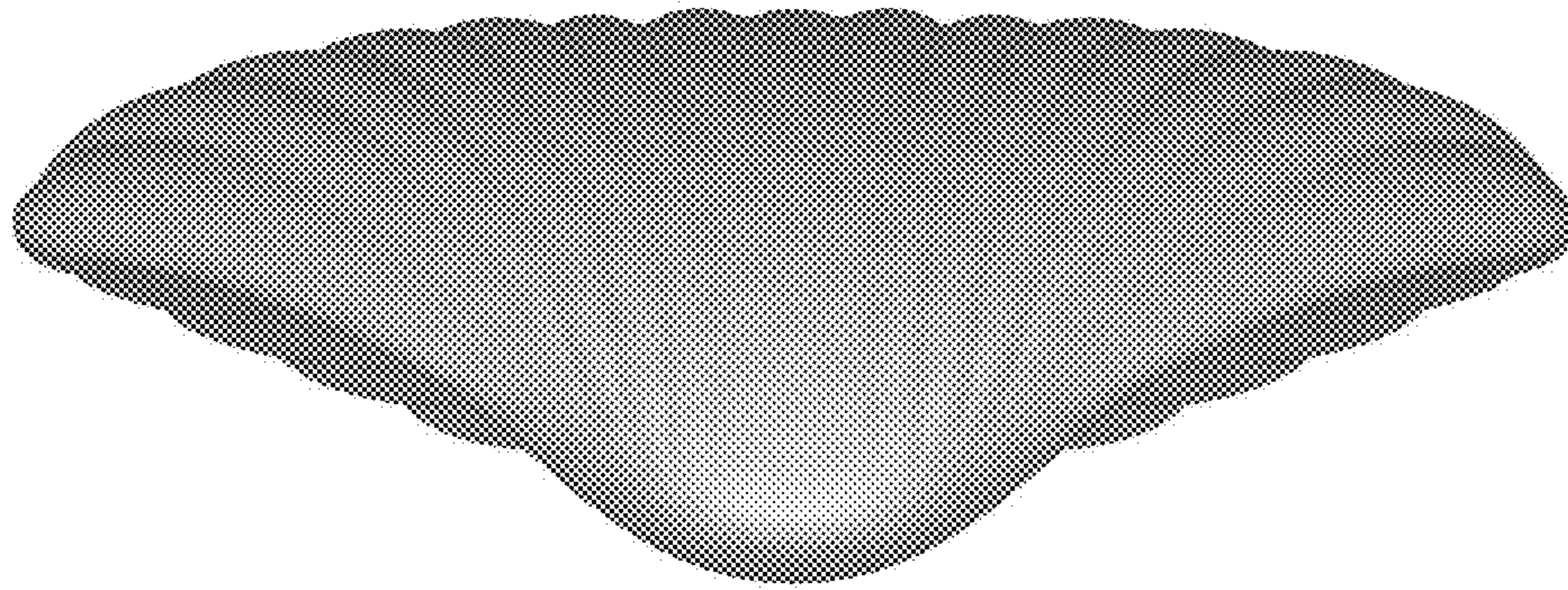


Fig. 6

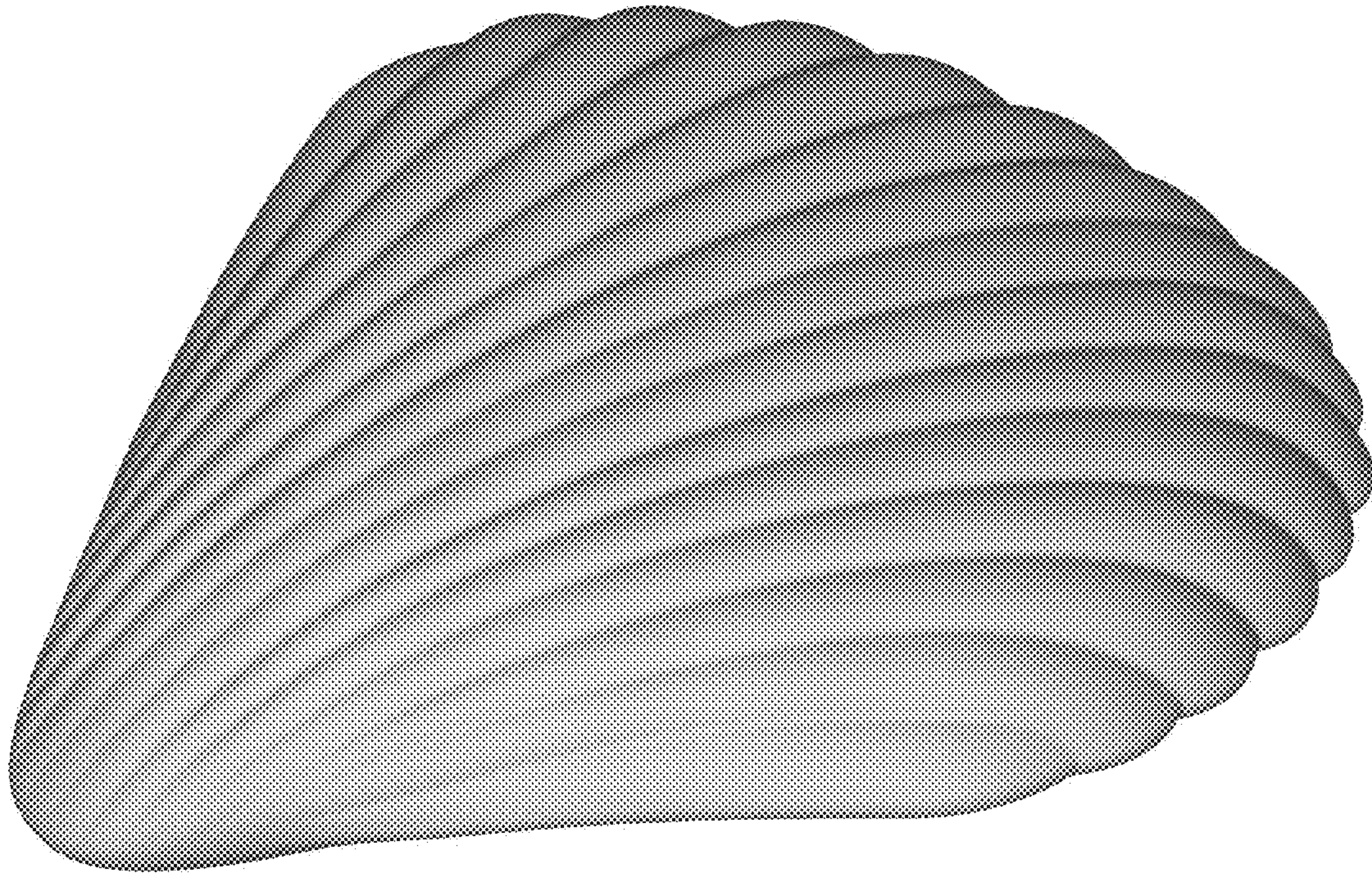


Fig. 7

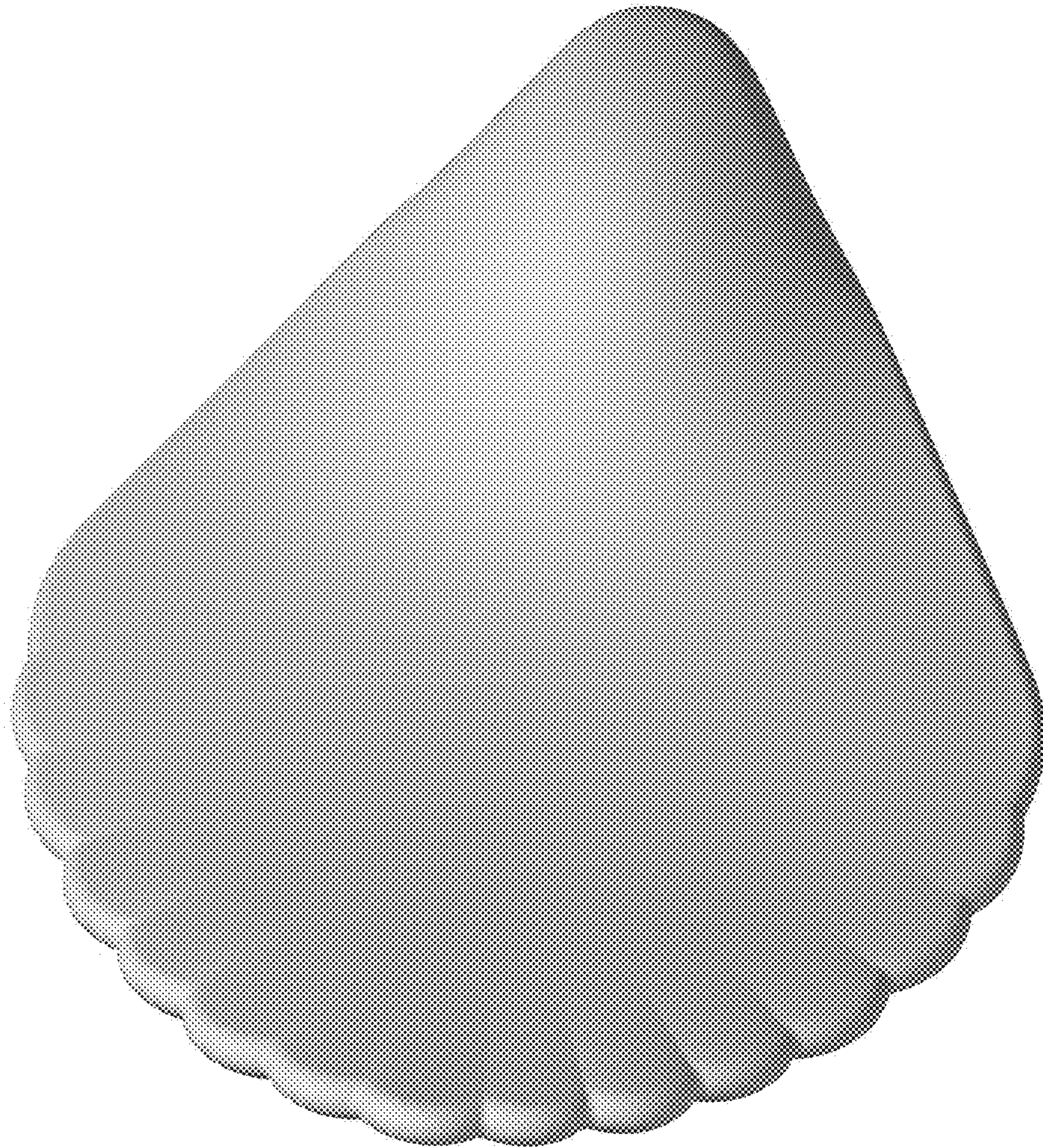


Fig. 8