



US00D876657S

(12) **United States Design Patent** (10) **Patent No.:** **US D876,657 S**  
**Lin** (45) **Date of Patent:** **\*\* Feb. 25, 2020**

(54) **MUSCLE ROLLER**  
(71) Applicant: **Tsang Po Lin**, Taichung (TW)  
(72) Inventor: **Tsang Po Lin**, Taichung (TW)  
(\*\*) Term: **15 Years**  
(21) Appl. No.: **29/677,109**  
(22) Filed: **Jan. 17, 2019**  
(51) **LOC (12) Cl.** ..... **28-03**  
(52) **U.S. Cl.**  
USPC ..... **D24/211**  
(58) **Field of Classification Search**  
USPC ..... 601/99, 114, 118, 120, 121, 124, 125,  
601/130, 131, 134-137; D24/200, 211,  
D24/212, 213, 214, 215; D30/160;  
D12/114, 178; D21/803; D8/303  
CPC .. A61H 2015/0014; A61H 15/00; A61H 1/00;  
A61H 2201/1692; A61H 2201/1695;  
A61H 39/04  
See application file for complete search history.

(56) **References Cited**  
U.S. PATENT DOCUMENTS  
5,143,056 A \* 9/1992 Yih-Jong ..... A61H 15/00  
601/118  
D361,132 S \* 8/1995 Lee ..... D24/200  
D448,646 S \* 10/2001 Sargentelli ..... D8/303  
D621,680 S \* 8/2010 Hsu ..... D8/303  
D660,450 S \* 5/2012 Johnson ..... D24/215  
D670,817 S \* 11/2012 Narevsky ..... D24/211  
D674,907 S \* 1/2013 Matsuura ..... D24/215  
D675,331 S \* 1/2013 Matsuura ..... D24/215  
D693,934 S \* 11/2013 Lin ..... D24/215  
D700,346 S \* 2/2014 Palizzi ..... D24/211  
D713,050 S \* 9/2014 Kao ..... A61H 15/00  
D24/211  
D734,480 S \* 7/2015 Jones ..... D24/211

D737,456 S \* 8/2015 McDonough et al. ....  
A61H 15/0092  
D24/211  
D744,112 S \* 11/2015 Phillips ..... D24/211  
D764,066 S \* 8/2016 Somjee ..... D24/211  
D785,103 S \* 4/2017 Townsend ..... D21/662  
D788,313 S \* 5/2017 Lawrie ..... D24/211  
9,668,933 B1 \* 6/2017 Johnson ..... A61H 15/00  
D800,330 S \* 10/2017 Loos ..... D24/211  
D822,772 S \* 7/2018 Jorgenson ..... D21/662  
D829,920 S \* 10/2018 Carpinelli ..... D24/211  
D833,027 S \* 11/2018 Viner ..... D24/211  
D833,635 S \* 11/2018 Chen ..... D24/214  
D842,486 S \* 3/2019 Kaoru ..... D24/211  
D843,001 S \* 3/2019 Davis ..... D24/211  
D845,498 S \* 4/2019 Johnson ..... D24/211  
10,307,325 B1 \* 6/2019 Johnson ..... A61H 15/0092  
D863,579 S \* 10/2019 Wang ..... D24/211  
D863,583 S \* 10/2019 Carpinello ..... D24/213  
2012/0065557 A1 \* 3/2012 Phillips ..... A61H 15/0092  
601/99  
2014/0128786 A1 \* 5/2014 Ross ..... A61H 15/0092  
601/118

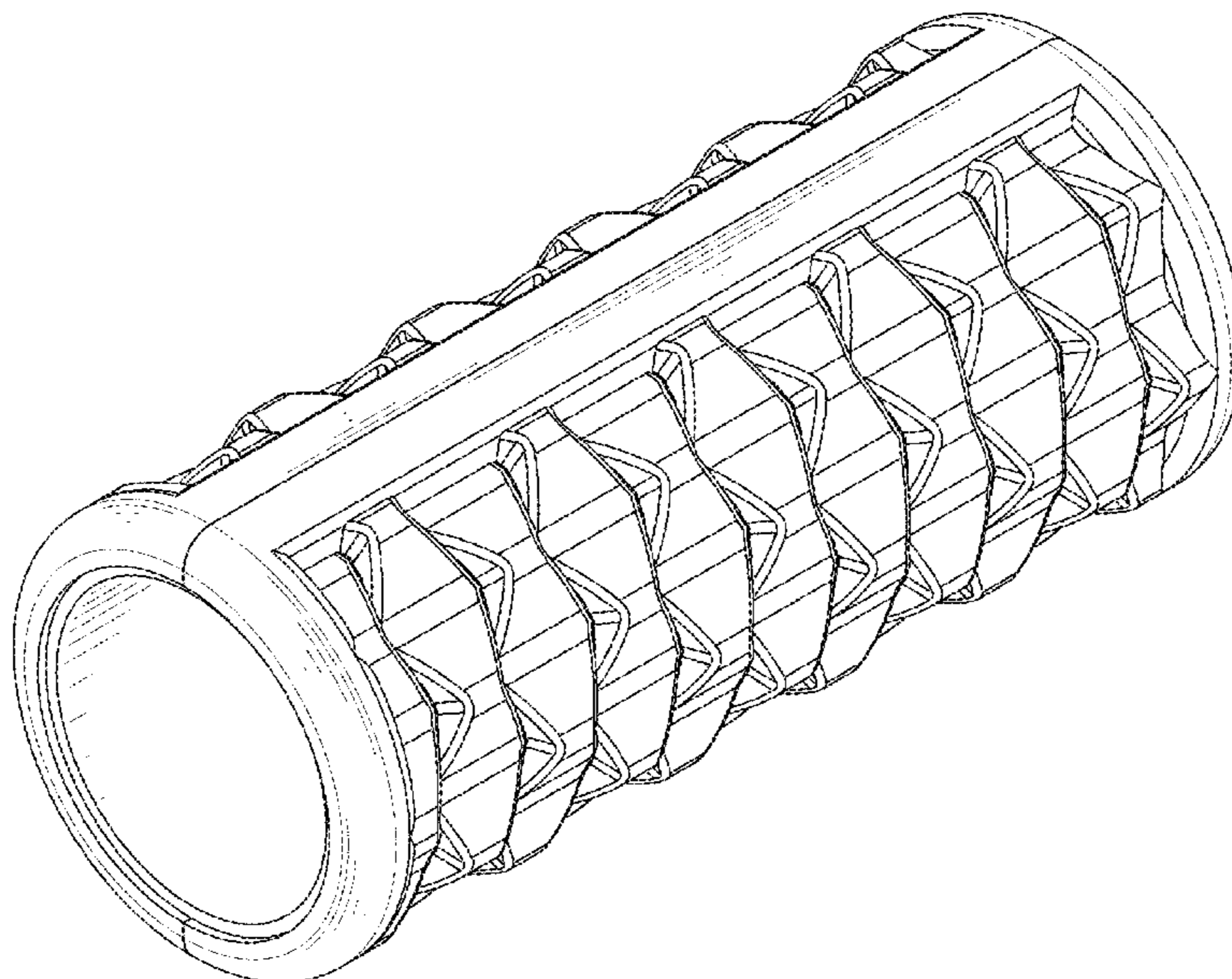
(Continued)

*Primary Examiner* — Cynthia Ramirez  
*Assistant Examiner* — Michael A Maharajh  
(74) *Attorney, Agent, or Firm* — WPAT, PC

(57) **CLAIM**  
The ornamental design for a muscle roller, as shown and described.

**DESCRIPTION**  
FIG. 1 is a perspective view of a muscle roller, showing my new design;  
FIG. 2 is a front view thereof;  
FIG. 3 is a rear view thereof;  
FIG. 4 is a left side view thereof;  
FIG. 5 is a right side view thereof;  
FIG. 6 is a top view thereof; and,  
FIG. 7 is a bottom view thereof.

**1 Claim, 7 Drawing Sheets**



(56)

**References Cited**

U.S. PATENT DOCUMENTS

2015/0080774 A1\* 3/2015 Olaya ..... A61H 15/00  
601/121  
2015/0190304 A1\* 7/2015 Lawrie ..... A61H 15/0092  
601/118  
2016/0235619 A1\* 8/2016 Yeh ..... A61H 15/00  
2016/0279009 A1\* 9/2016 Somjee ..... A61H 15/00  
2016/0302994 A1\* 10/2016 Chen ..... A61H 15/00  
2016/0310349 A1\* 10/2016 Chen ..... A61H 15/00  
2016/0310350 A1\* 10/2016 Chen ..... A61H 15/00  
2016/0331628 A1\* 11/2016 Kuo ..... A61H 15/00  
2017/0216133 A1\* 8/2017 Yih ..... A61H 15/0092  
2017/0252262 A1\* 9/2017 Chang ..... A61H 15/00  
2018/0353370 A1\* 12/2018 Liao ..... A61H 15/0092

\* cited by examiner

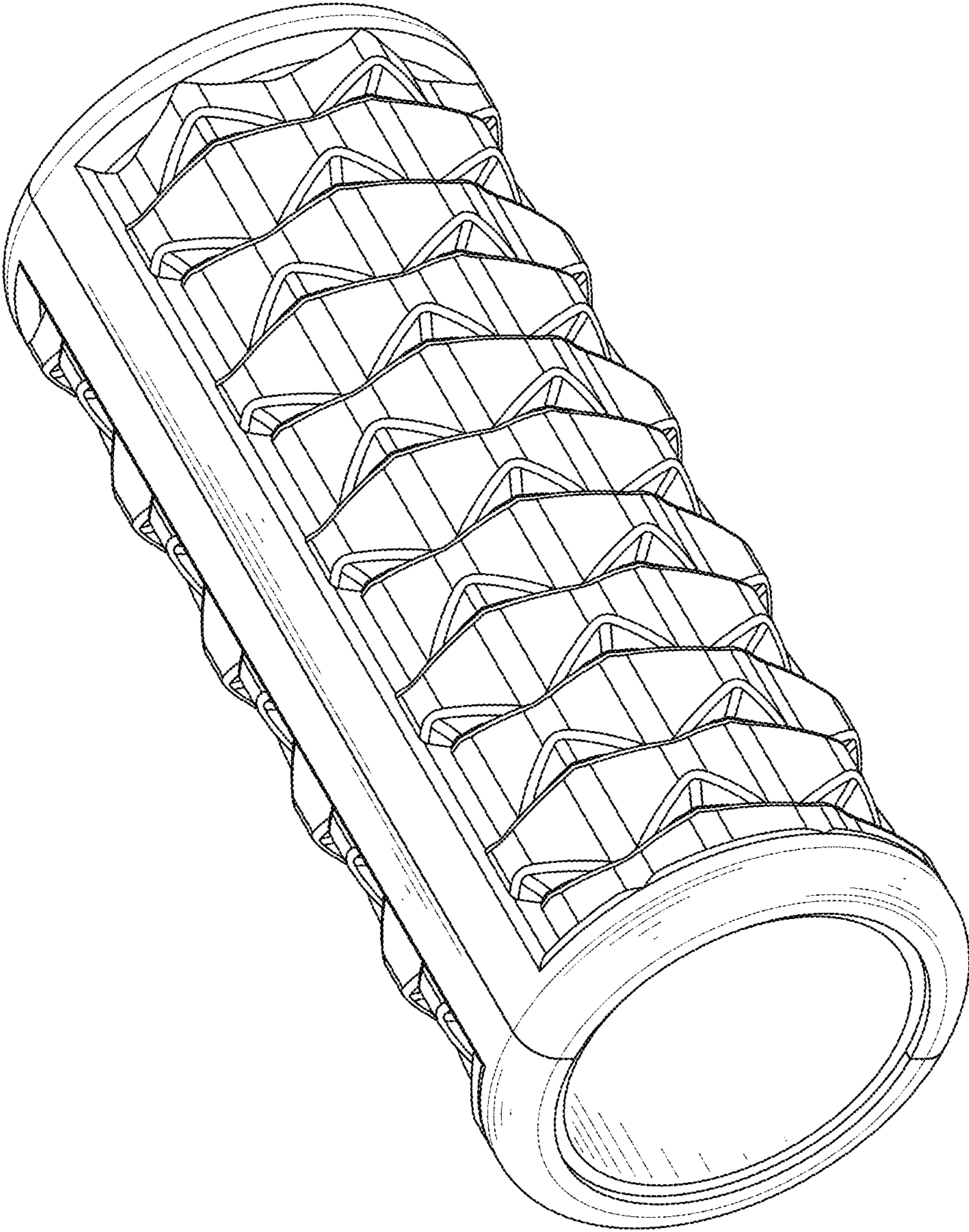


FIG. 1



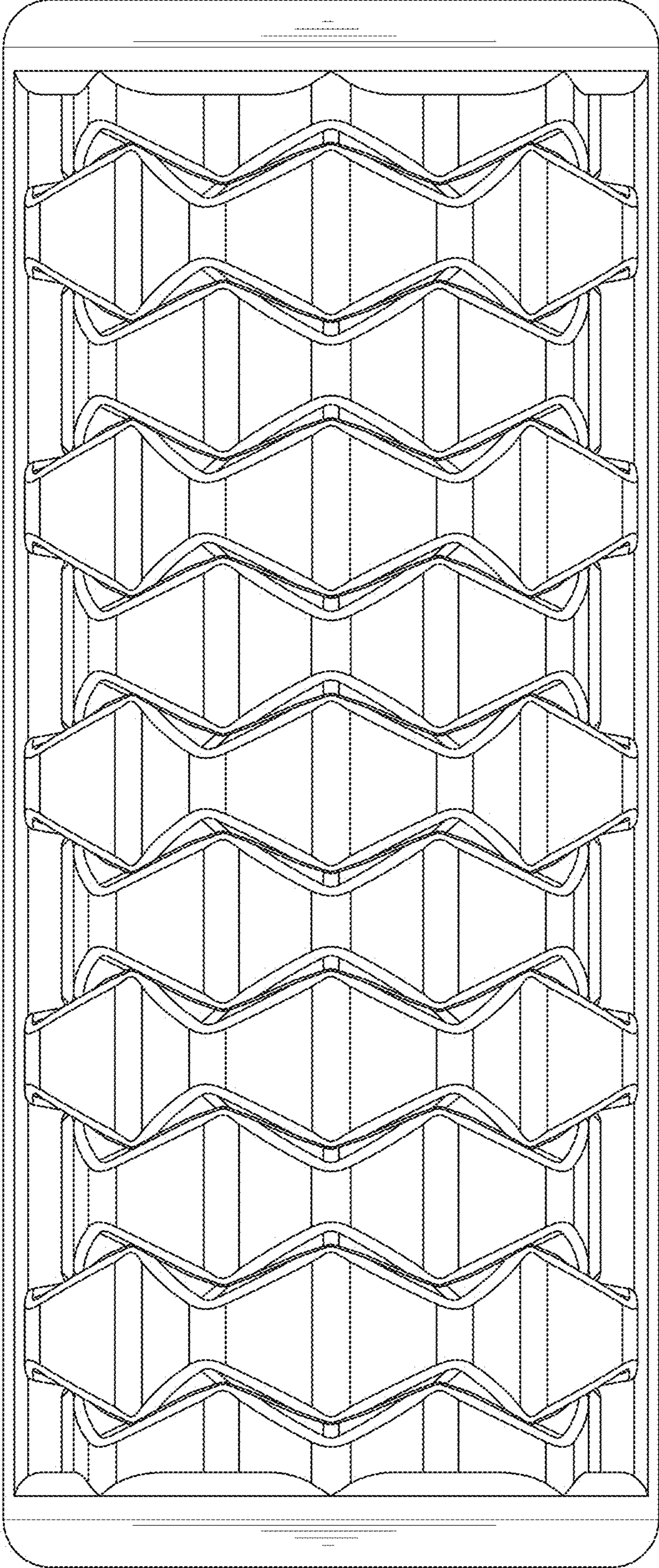


FIG. 2

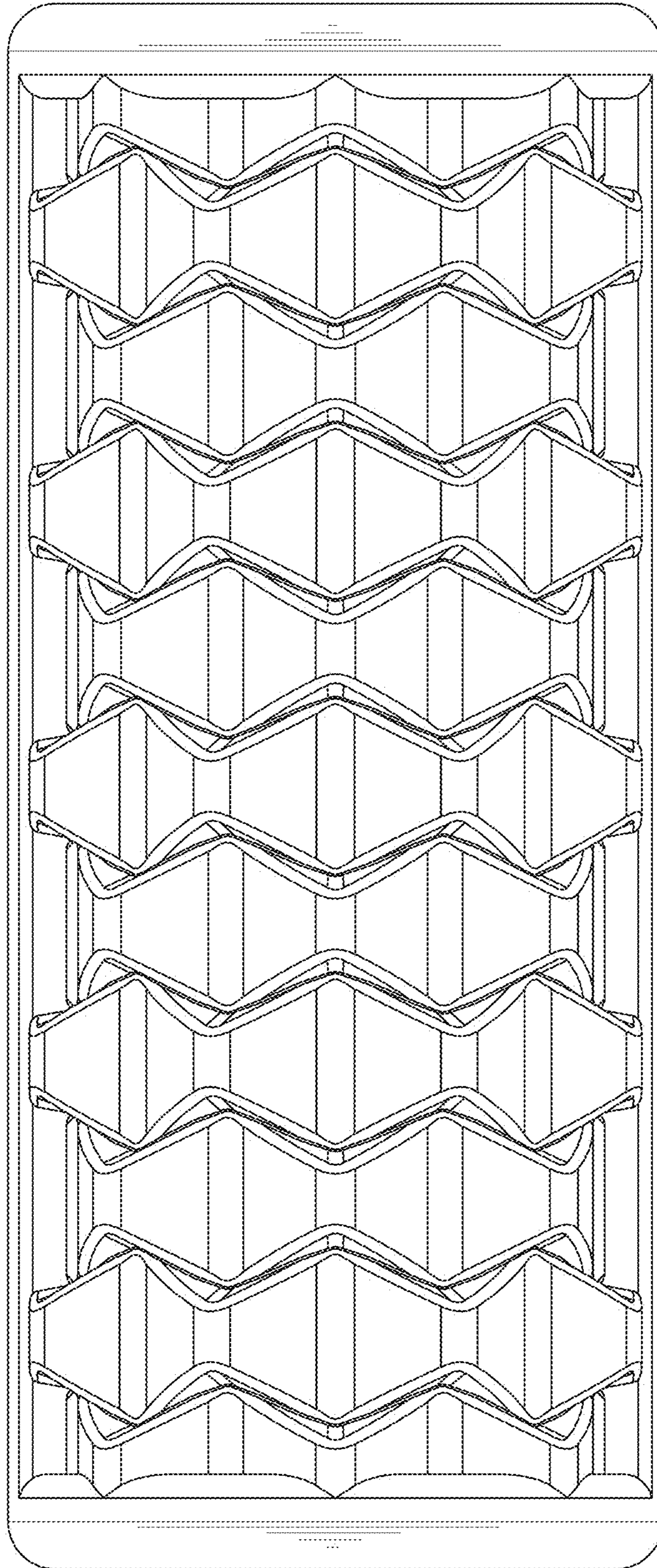


FIG. 3

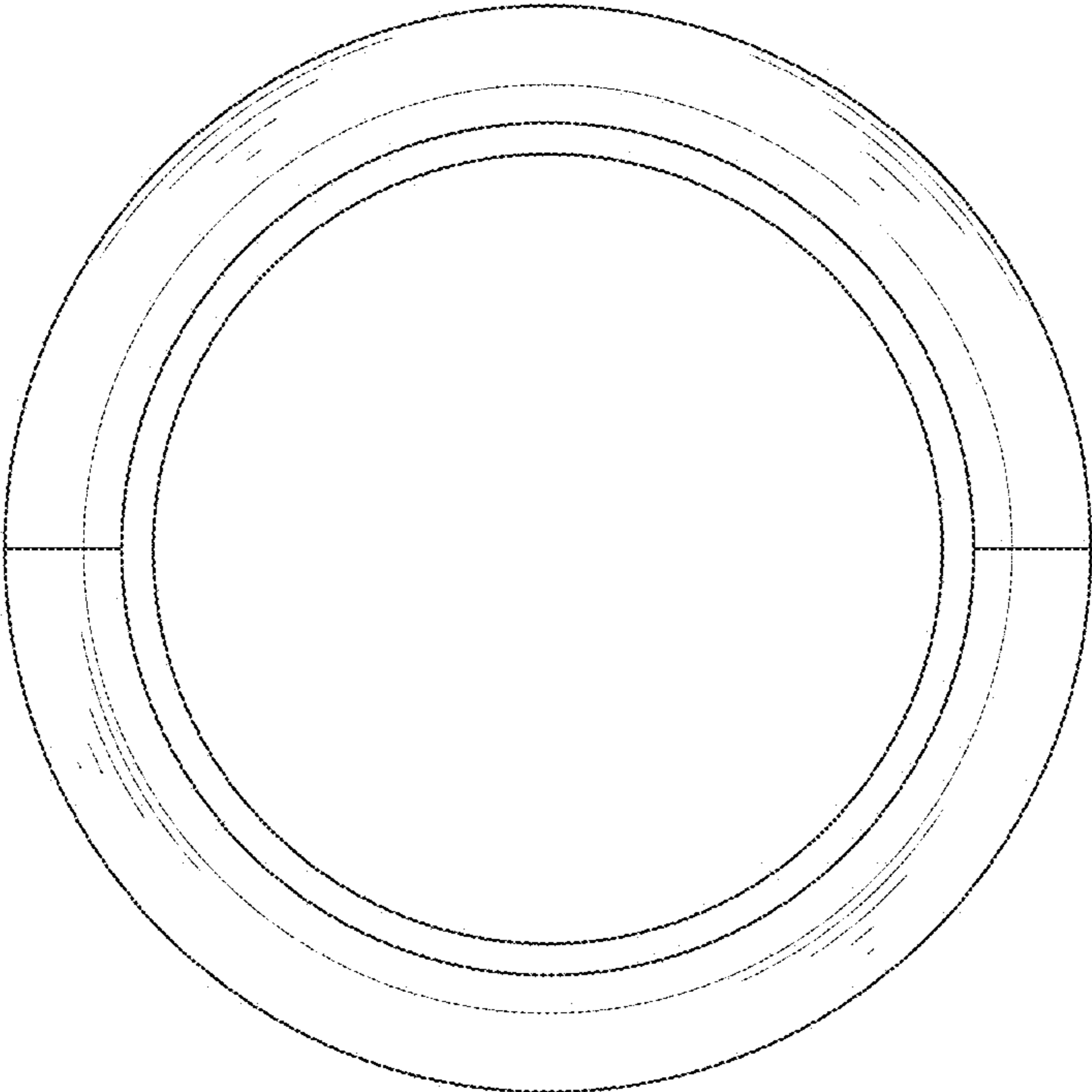


FIG. 4



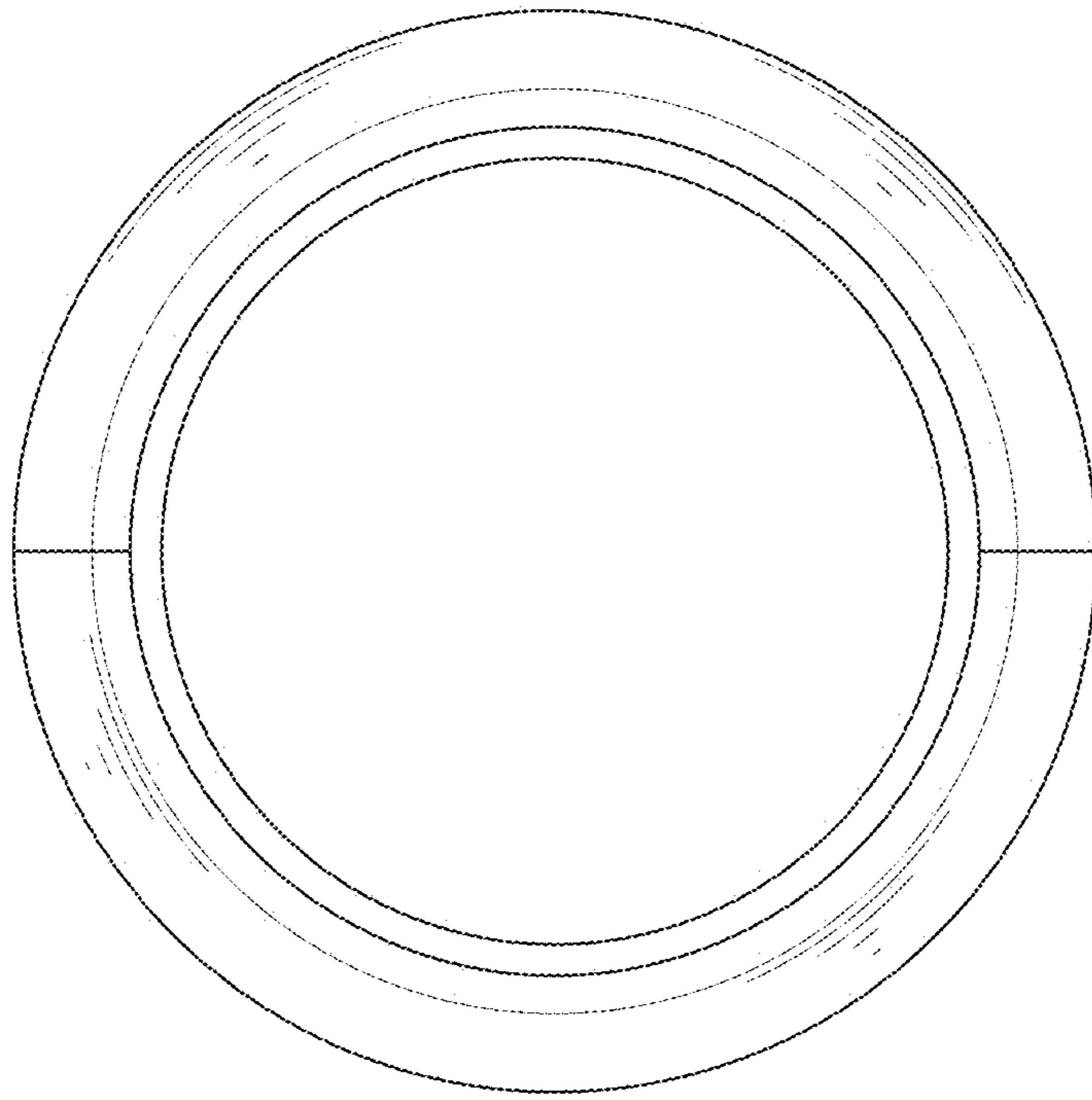


FIG. 5

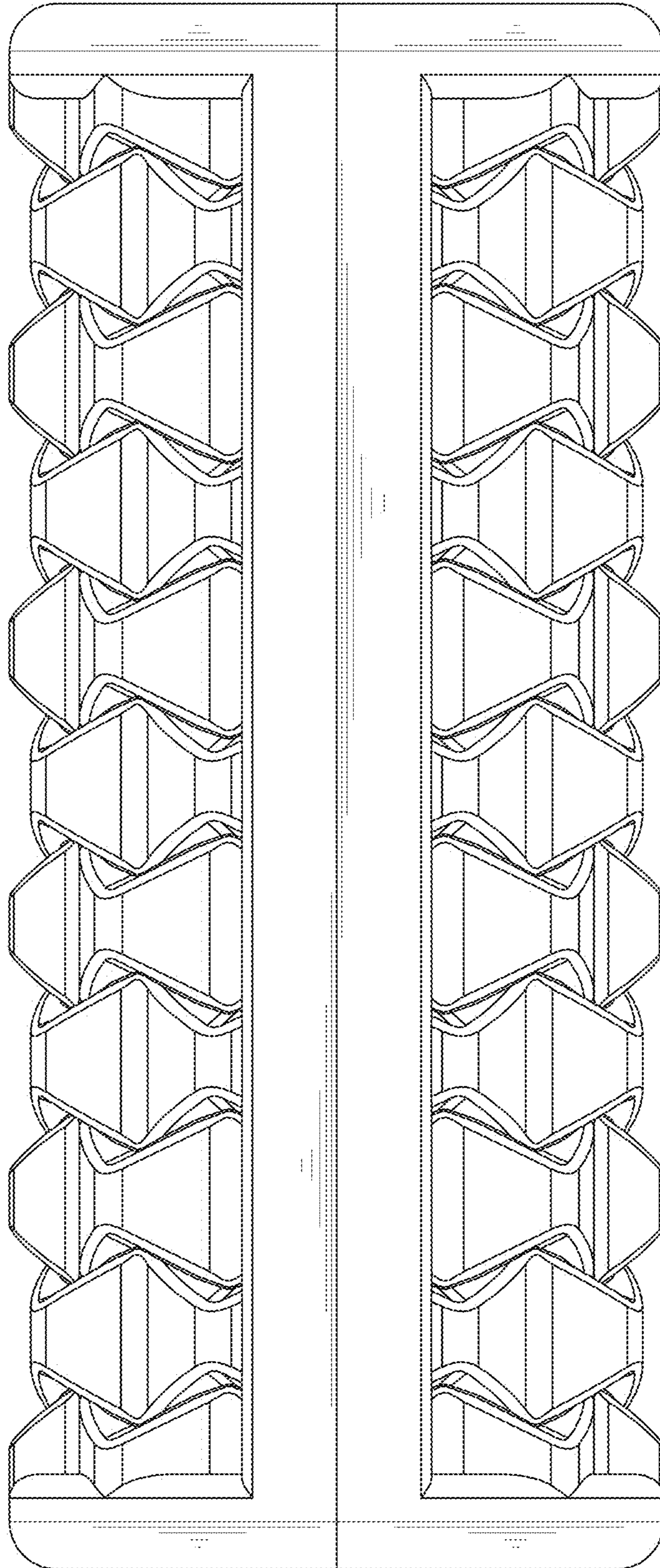


FIG. 6



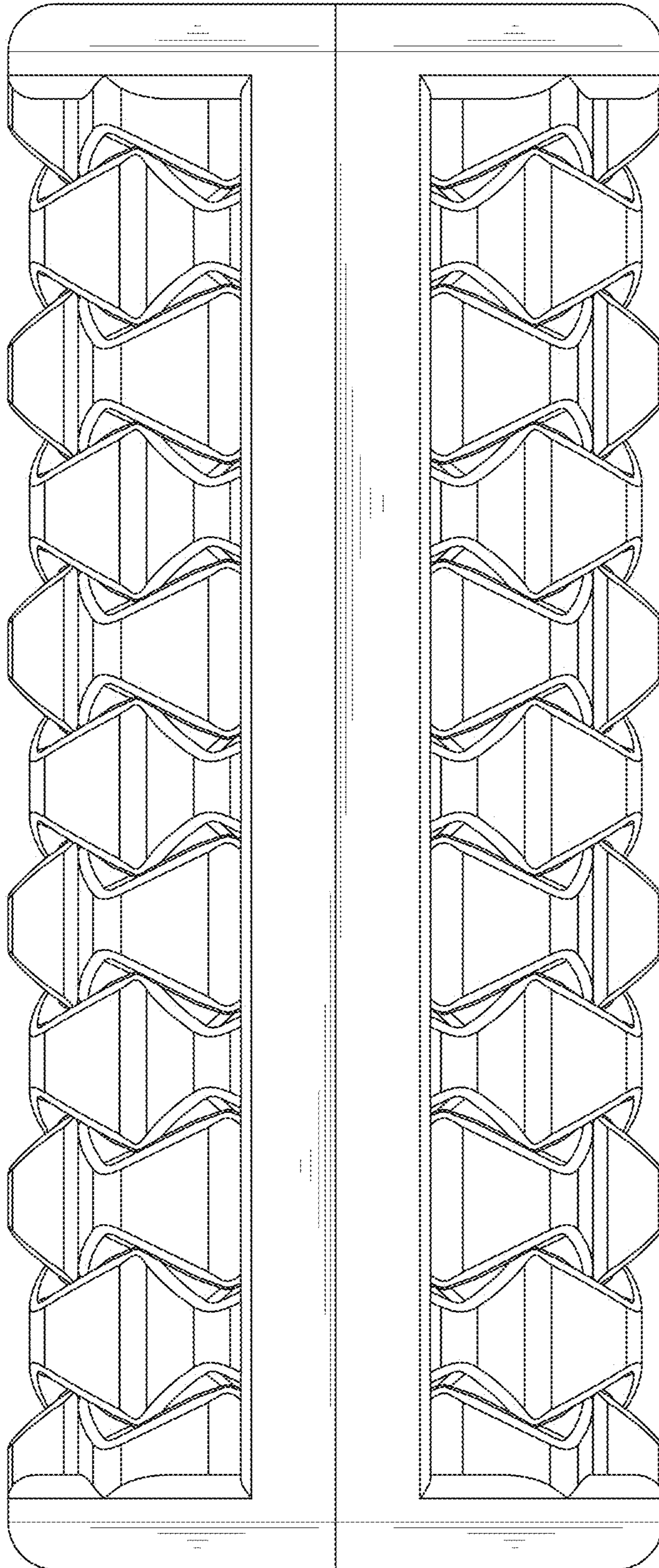


FIG. 7