



US00D876656S

(12) **United States Design Patent** (10) **Patent No.:** **US D876,656 S**
Campbell (45) **Date of Patent:** **** Feb. 25, 2020**

(54) **HEADBAND ICE PACK**
(71) Applicant: **BonkBand, LLC**, Hillsborough, NJ (US)
(72) Inventor: **Matthew Campbell**, Hillsborough, NJ (US)
(**) Term: **15 Years**
(21) Appl. No.: **29/650,358**
(22) Filed: **Jun. 6, 2018**
(51) **LOC (12) Cl.** **24-04**
(52) **U.S. Cl.**
USPC **D24/207**
(58) **Field of Classification Search**
USPC D24/206–208, 200, 189–191; D2/865, D2/891, 894; D28/41; 607/108–109, 607/110, 112
CPC .. A61F 7/106; A61F 7/034; A61F 2007/0007; A61F 2007/0011; A61F 13/12
See application file for complete search history.

(56) **References Cited**

U.S. PATENT DOCUMENTS

4,742,581 A * 5/1988 Rosenthal A61F 7/10 D2/894
D328,792 S * 8/1992 Salmon D24/206
5,295,949 A * 3/1994 Hathaway A61F 7/02 482/10
5,395,400 A * 3/1995 Stafford A61F 7/03 607/109
D369,866 S * 5/1996 Baughn D24/206
D393,719 S * 4/1998 Nichols D24/206

D405,534 S * 2/1999 Hall D24/206
6,554,787 B1 * 4/2003 Griffin A61F 13/12 601/70
D641,488 S * 7/2011 Mori D24/206
2013/0253257 A1 * 9/2013 Kalhory A61F 7/02 600/27

* cited by examiner

Primary Examiner — Wan Laymon

(74) *Attorney, Agent, or Firm* — Law Office of Mark Brown, LLC; Christopher M. DeBacker

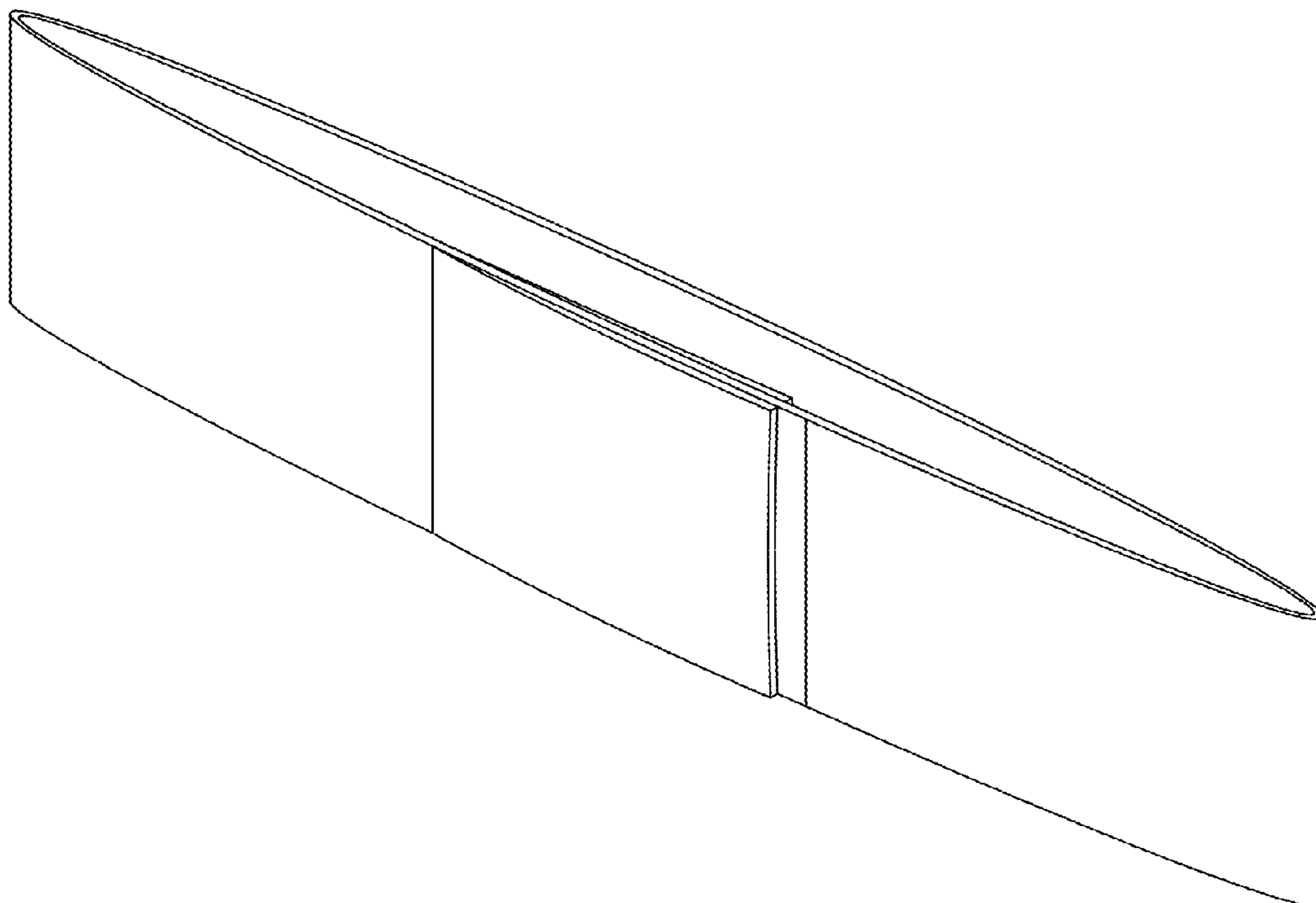
(57) **CLAIM**

The ornamental design for a headband ice pack, as shown and described.

DESCRIPTION

FIG. 1 is a front elevational view of a headband ice pack of a preferred embodiment of the present invention. FIG. 2 is a front elevational view of a headband ice pack of a first alternative embodiment of the present invention. FIG. 3 is a front elevational view of a headband ice pack of a second alternative embodiment of the present invention. FIG. 4 is a top plan view of the embodiment of FIG. 1. FIG. 5 is a right side elevational view thereof. FIG. 6 is a sectional view thereof taken about the line of FIG. 4. FIG. 7 is a rear elevational view thereof; and, FIG. 8 is a three-dimensional isometric view thereof. The “bonkband” forming part of the claimed design is a registered trademark of BonkBand, LLC of Hillsborough, New Jersey, which is the same as the Applicant of the present application.

1 Claim, 7 Drawing Sheets



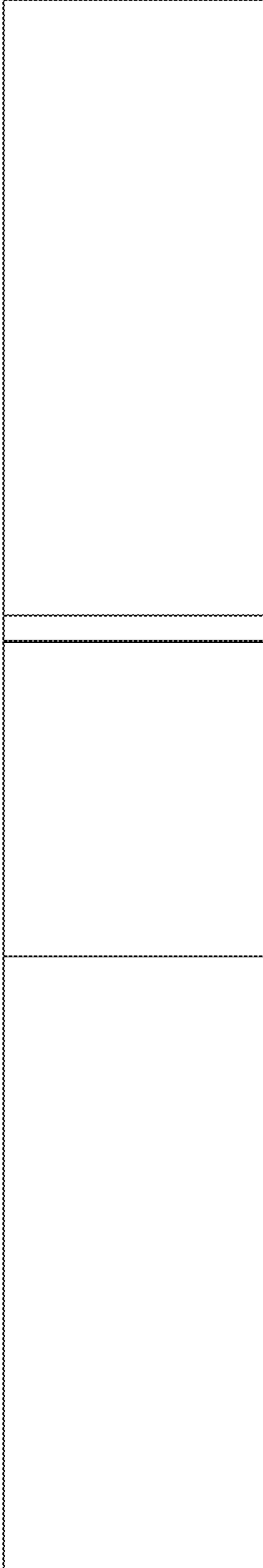


FIG. 1

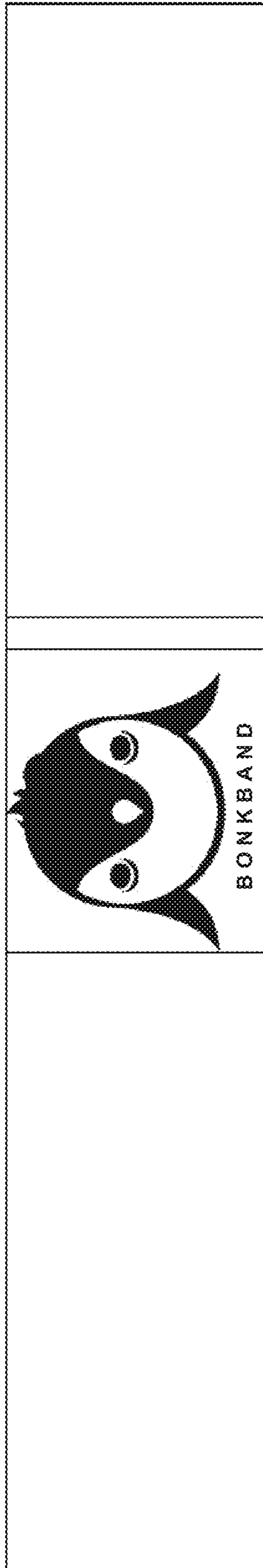


FIG. 2

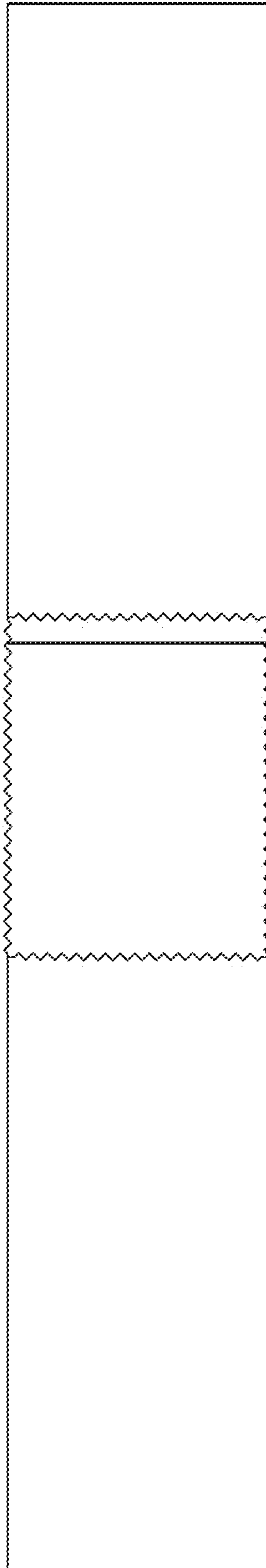


FIG. 3

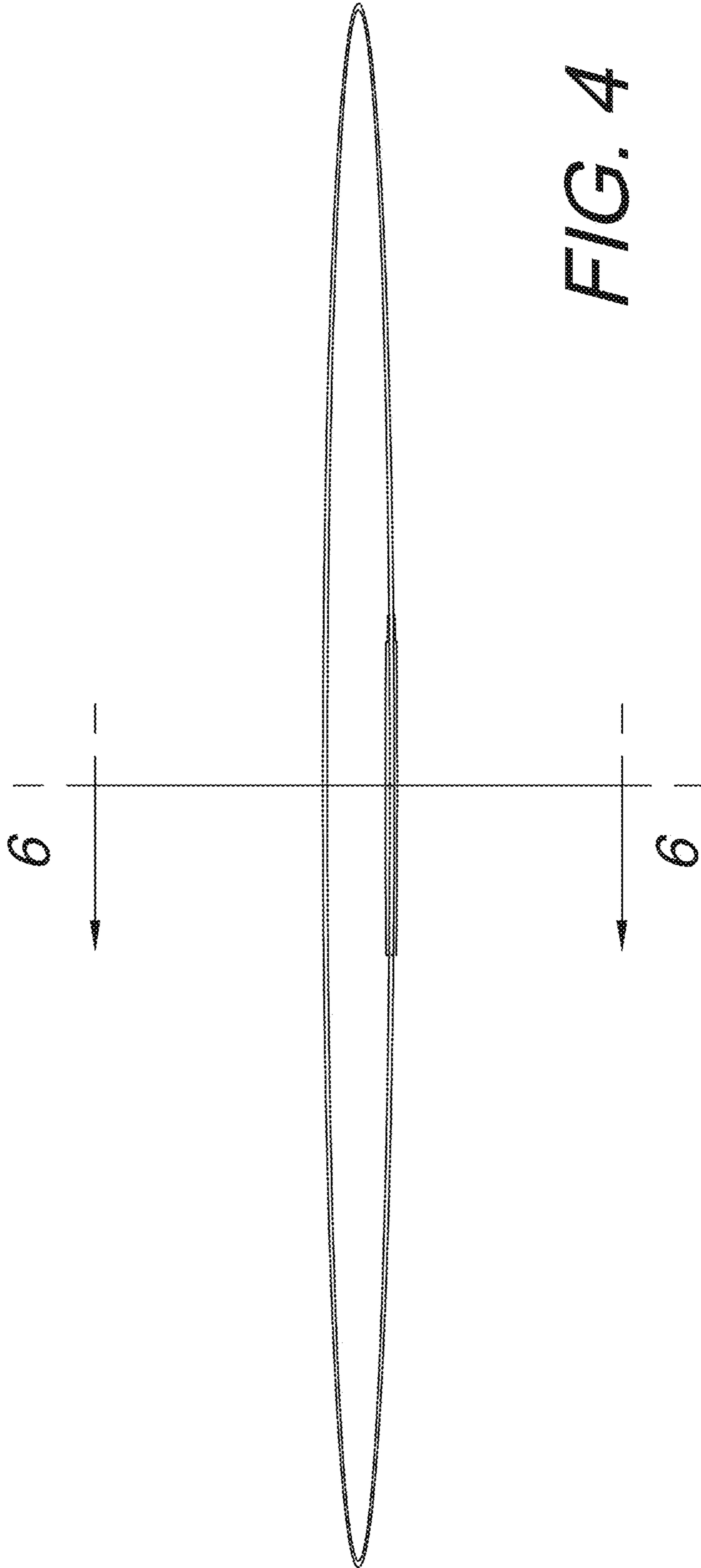




FIG. 5



FIG. 6

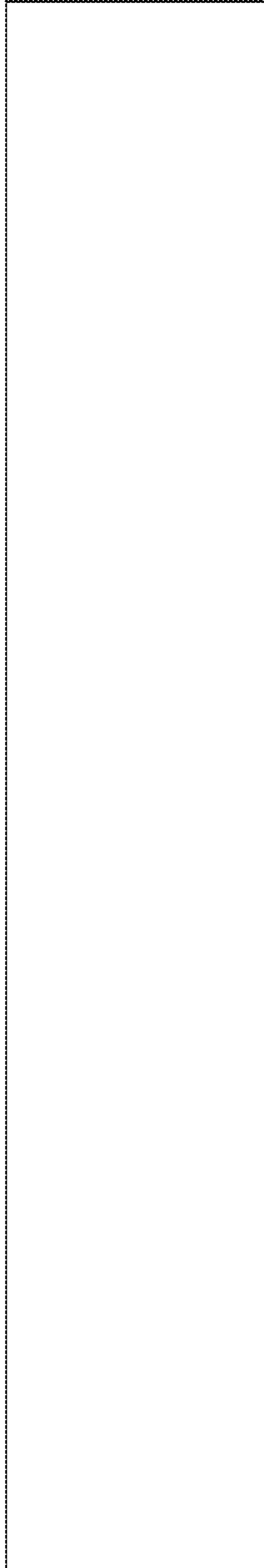


FIG. 7

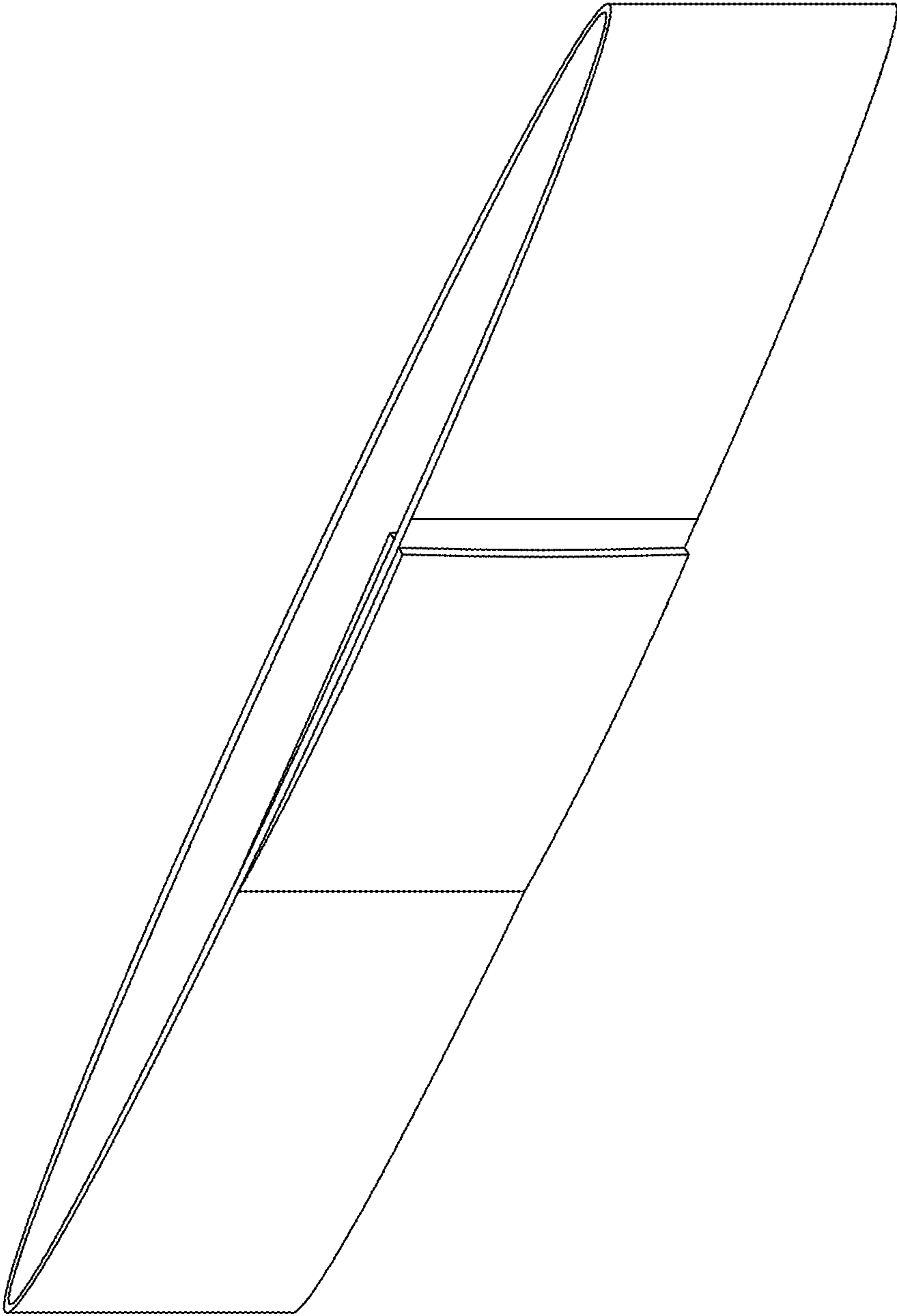


FIG. 8