

US00D876655S

(12) **United States Design Patent** (10) **Patent No.:** **US D876,655 S**
Lin (45) **Date of Patent:** **** Feb. 25, 2020**

(54) **WAX WARMER**
(71) Applicant: **Chengwei Lin**, Tainan (CN)
(72) Inventor: **Chengwei Lin**, Tainan (CN)
(**) Term: **15 Years**
(21) Appl. No.: **29/704,459**
(22) Filed: **Sep. 5, 2019**
(51) **LOC (12) Cl.** **28-03**
(52) **U.S. Cl.**
USPC **D24/200**
(58) **Field of Classification Search**
USPC D24/200, 204, 121; D7/323, 354;
607/96, 104, 108, 111; 604/291
CPC A61F 7/00; A61F 7/007; A61F 2007/0001;
A61F 2007/0003; A61F 2007/0004; A61F
2007/0007; A61F 2007/0024; A61F
2007/0029; A61F 2007/0039; H05B 1/02;
H05B 3/00; H05B 3/0052; H05B 3/26;
A47J 36/2433; A47J 27/004; A61L 9/03
See application file for complete search history.

(56) **References Cited**
U.S. PATENT DOCUMENTS
D478,384 S * 8/2003 Lie D24/200
D789,136 S * 6/2017 Russillo D24/200
10,086,102 B2 * 10/2018 Belongia A61L 9/03
D838,859 S 1/2019 Yu
D857,215 S * 8/2019 Lin D24/200

2011/0286726 A1* 11/2011 Baraky A61L 9/03
392/416
2015/0117056 A1* 4/2015 Hsiao A61L 9/03
362/611
2015/0283280 A1* 10/2015 Belongia A61L 9/03
392/386

* cited by examiner

Primary Examiner — Wan Laymon
(74) *Attorney, Agent, or Firm* — Wayne V. Harper

(57) **CLAIM**

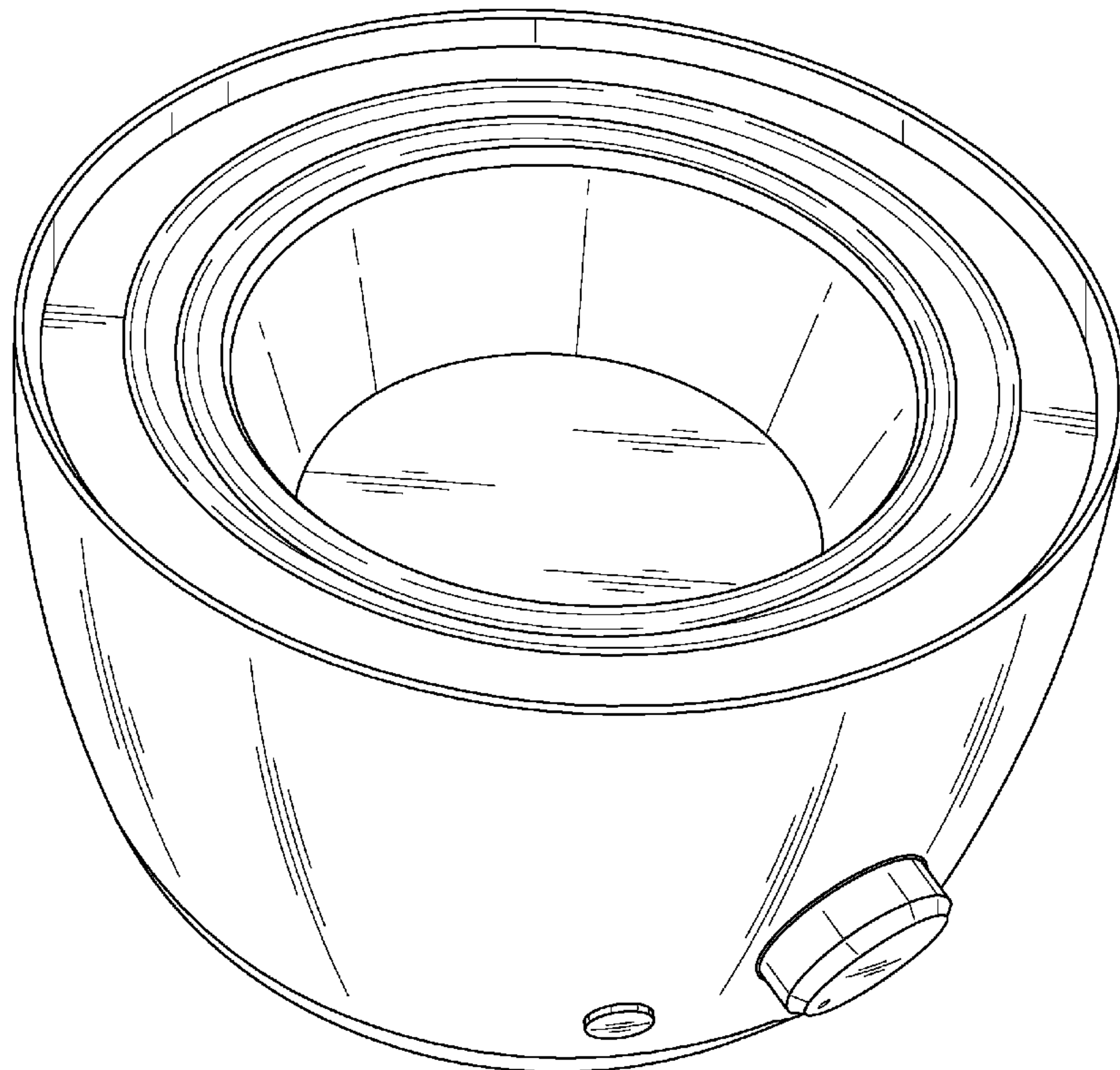
I claim the ornamental design for a wax warmer, as shown and described.

DESCRIPTION

FIG. 1 is a Perspective view of a wax warmer showing my new design;
FIG. 2 is a Front view of the wax warmer as shown in FIG. 1;
FIG. 3 is a Back view of the wax warmer as shown in FIG. 1;
FIG. 4 is a Right-side view of the wax warmer as shown in FIG. 1;
FIG. 5 is a left-side view of the wax warmer as shown in FIG. 1;
FIG. 6 is a Top view of the wax warmer as shown in FIG. 1; and,
FIG. 7 is Bottom view of the wax warmer as shown in FIG. 1.

The broken lines showing in the drawings are included for the purpose of illustrating environmental structure and form no part of the claimed design.

1 Claim, 7 Drawing Sheets



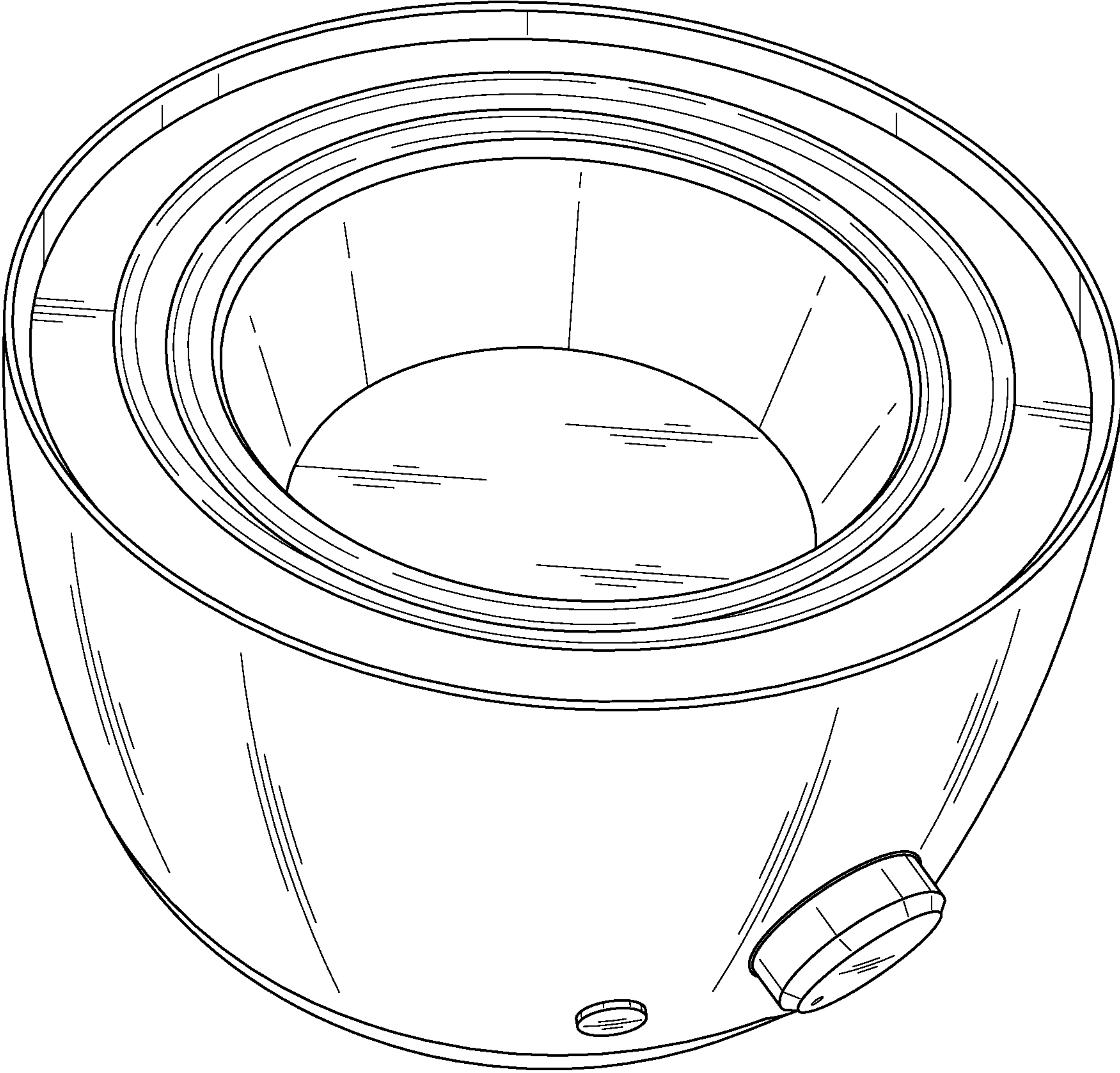


FIG. 1

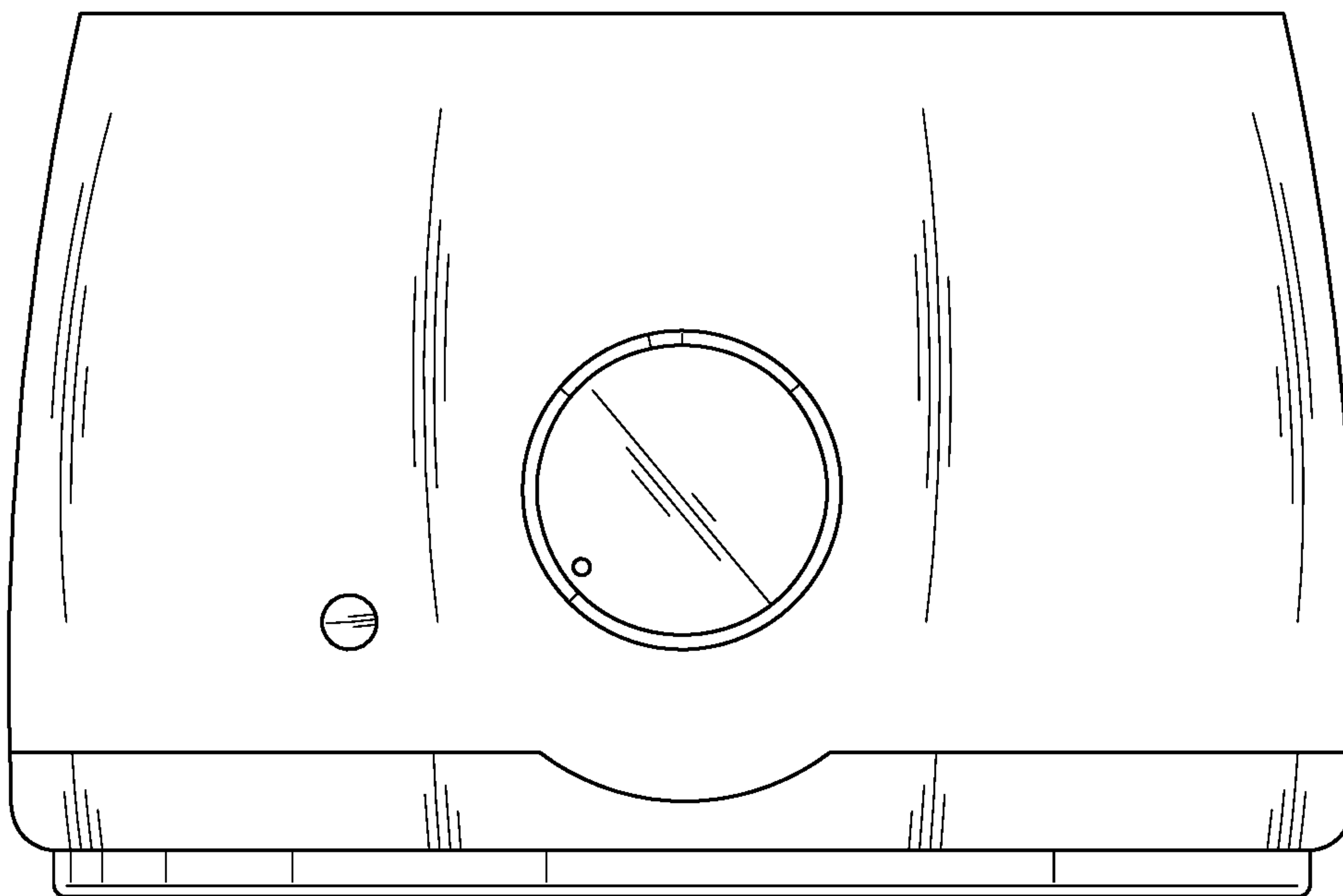


FIG. 2

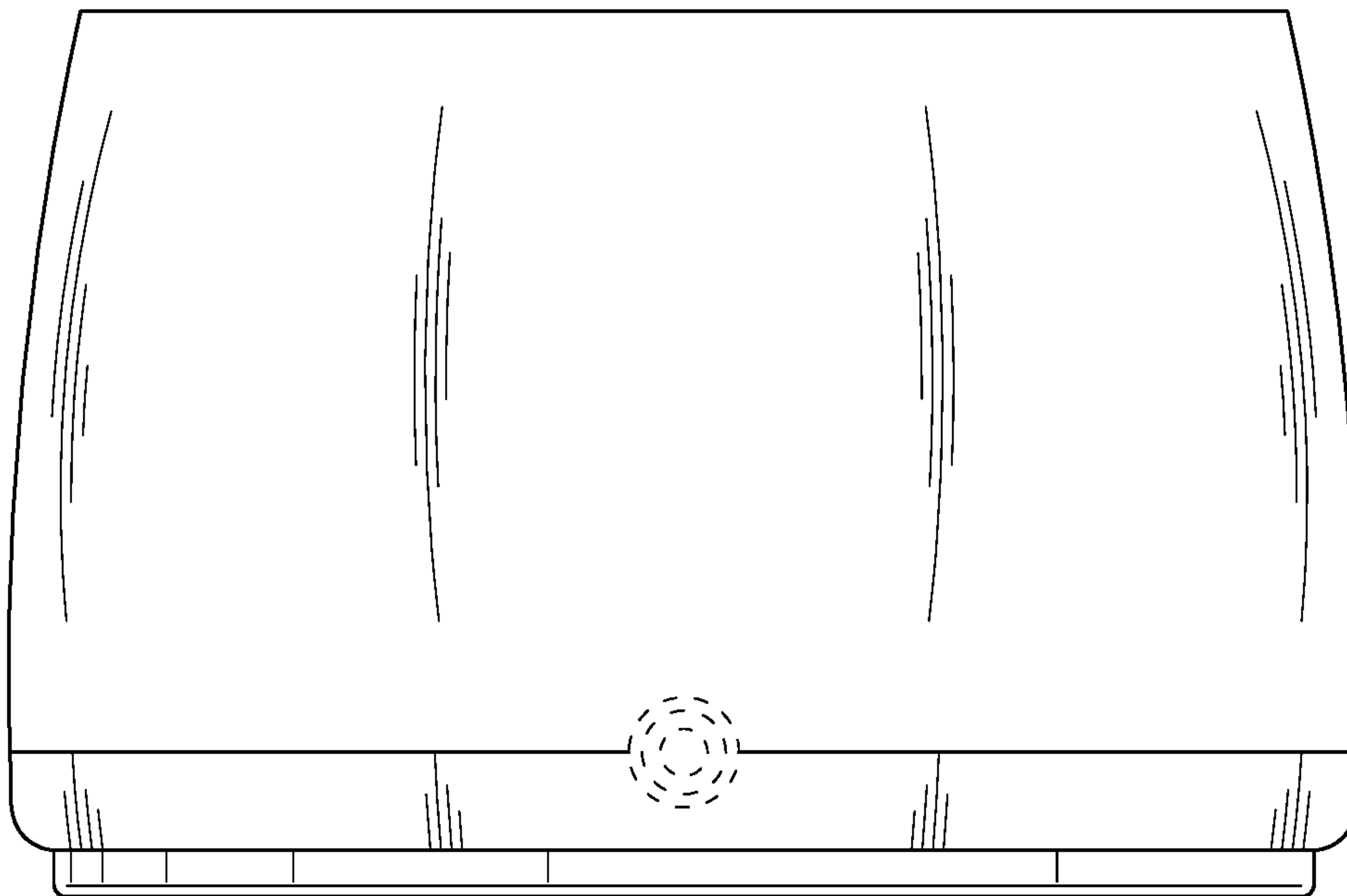


FIG. 3

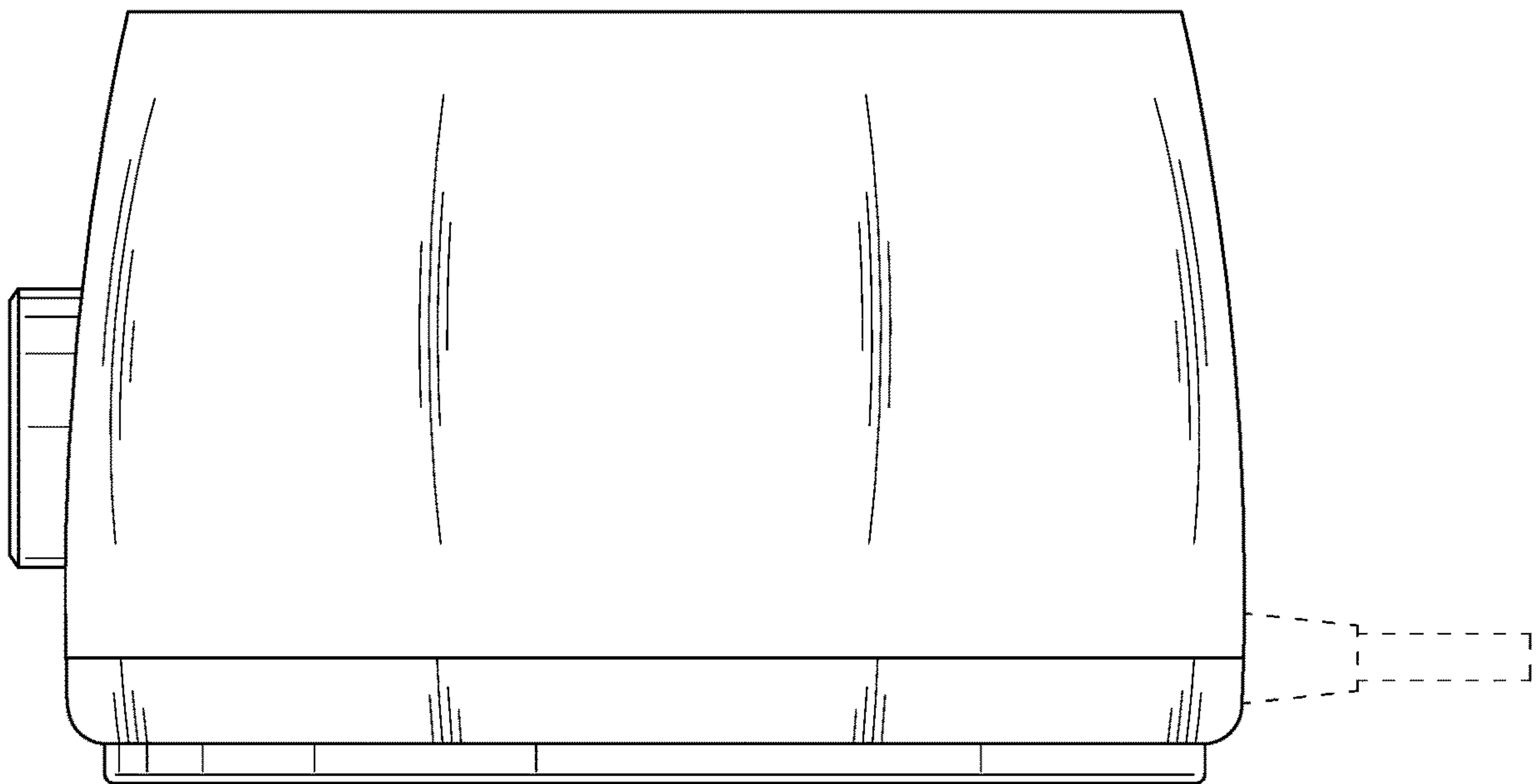


FIG. 4

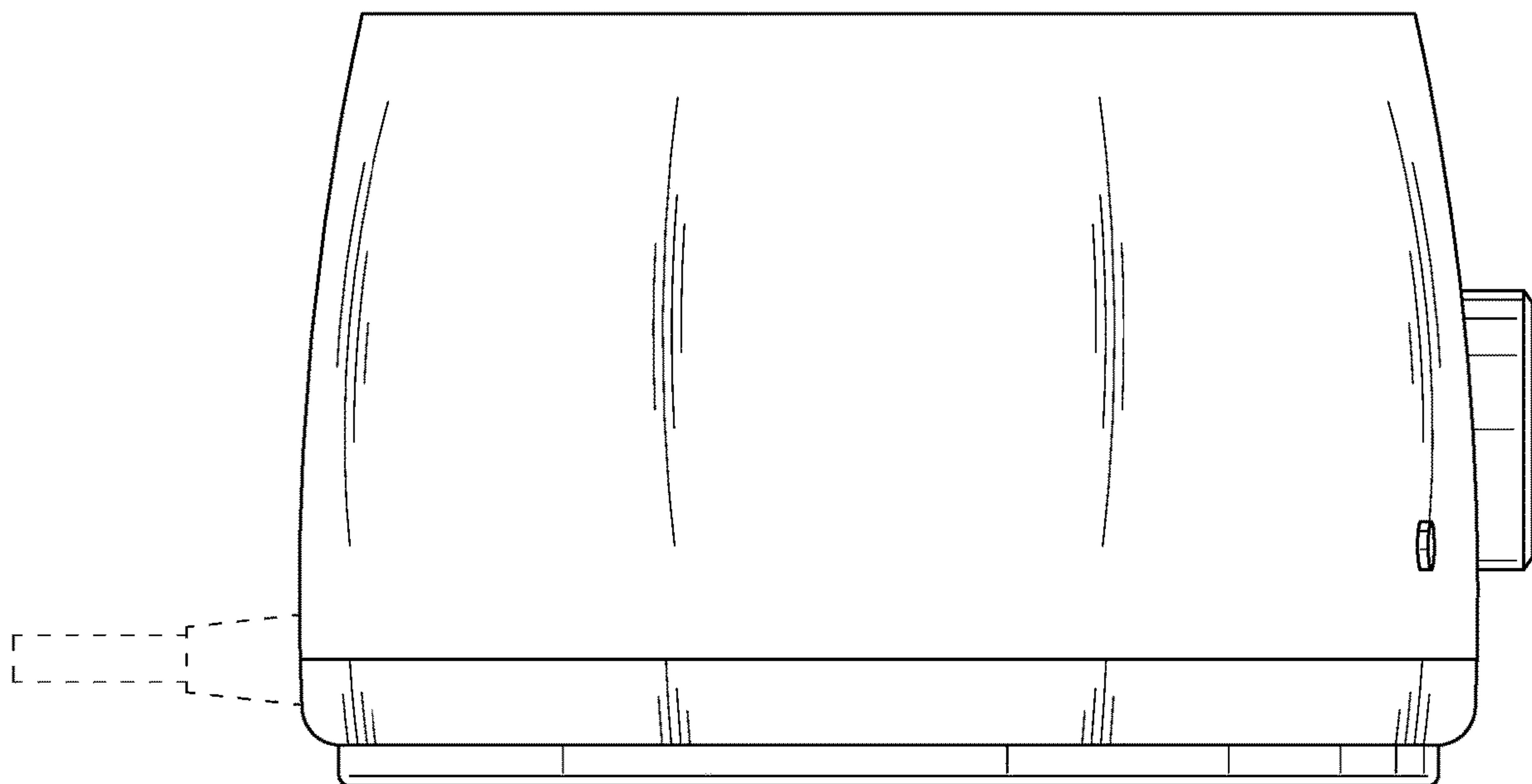


FIG. 5

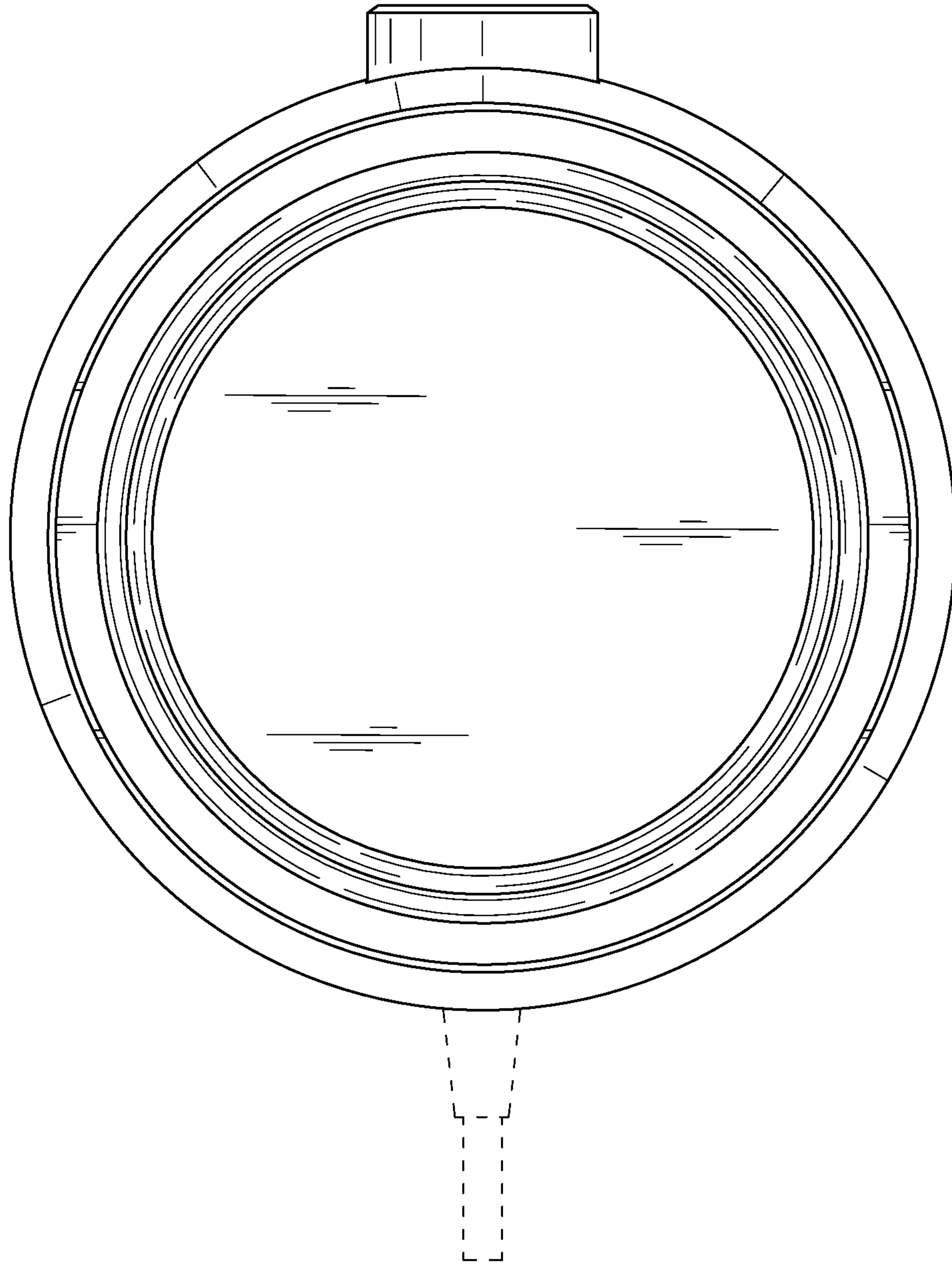


FIG. 6

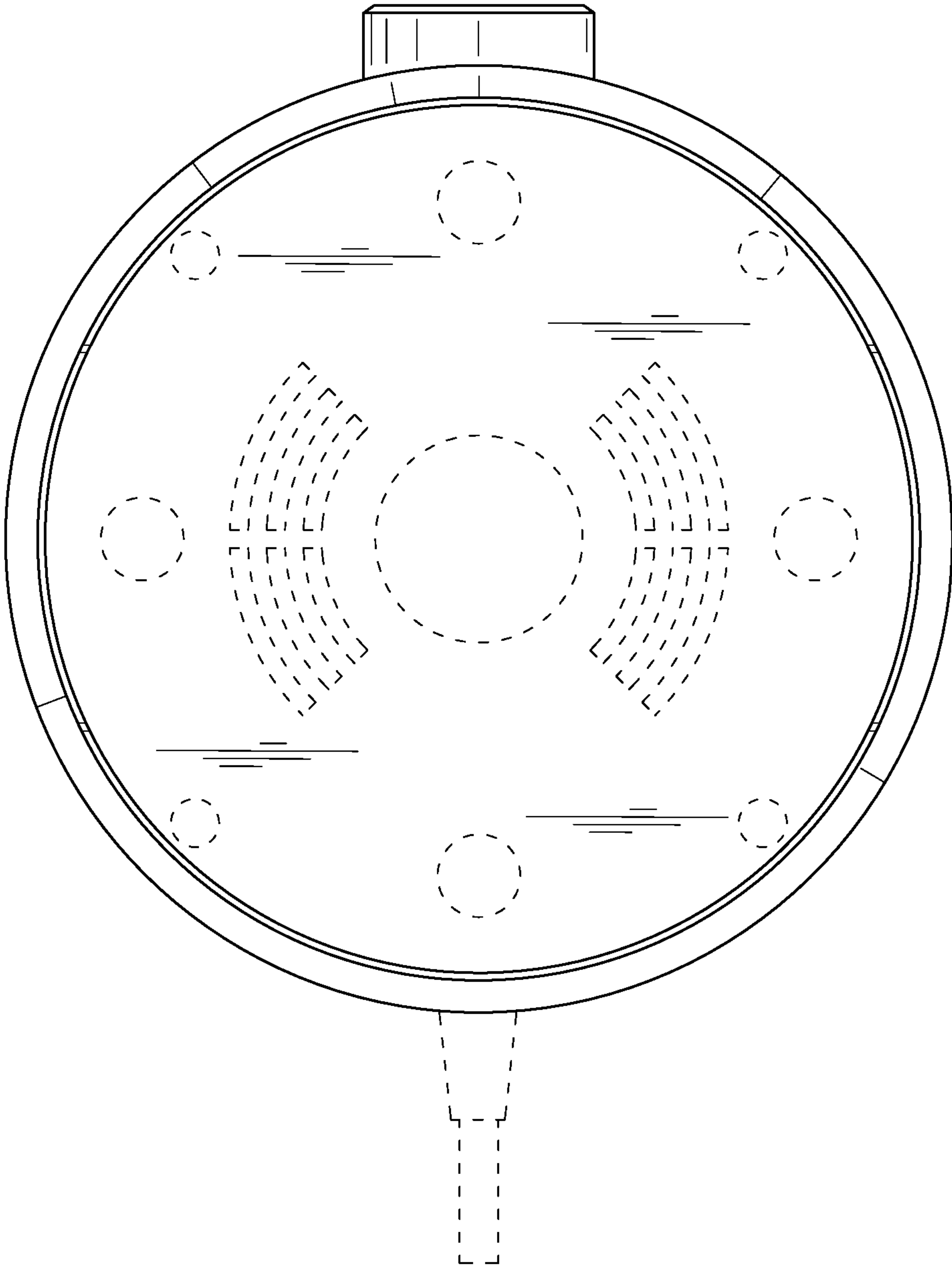


FIG. 7