



US00D876654S

(12) **United States Design Patent** (10) **Patent No.:** **US D876,654 S**
Romo et al. (45) **Date of Patent:** **** Feb. 25, 2020**

(54) **POSTERIOR STRUT**
(71) Applicant: **OSSUR ICELAND EHF**, Reykjavik (IS)
(72) Inventors: **Harry Duane Romo**, Foothill Ranch, CA (US); **Patrick Kiruki**, Foothill Ranch, CA (US)
(73) Assignee: **OSSUR ICELAND EHF**, Reykjavik (IS)

6,685,662 B1 2/2004 Curry et al.
6,929,616 B2 8/2005 Bonutti et al.
7,410,338 B2 8/2008 Schiele et al.
7,413,554 B2 8/2008 Kobayashi et al.
7,862,524 B2 1/2011 Carignan et al.
(Continued)

FOREIGN PATENT DOCUMENTS

DE 19940603 A1 4/2001
FR 2917323 A1 12/2008
(Continued)

(**) Term: **15 Years**

OTHER PUBLICATIONS

(21) Appl. No.: **29/645,196**
(22) Filed: **Apr. 24, 2018**
(51) **LOC (12) Cl.** **24-04**
(52) **U.S. Cl.**
USPC **D24/192**
(58) **Field of Classification Search**
USPC D24/188-192, 200, 206, 214, 215
CPC A61H 1/02; A61F 2/54; A61F 2/76; A61F 2/78
See application file for complete search history.

Ossur. Pro-Flex. No date specified. <https://www.ossur.com/prosthetic-solutions/pro-flex-family> (Year: 0).*
(Continued)

Primary Examiner — Darcey E Gottschalk
(74) *Attorney, Agent, or Firm* — Workman Nydegger

(57) **CLAIM**

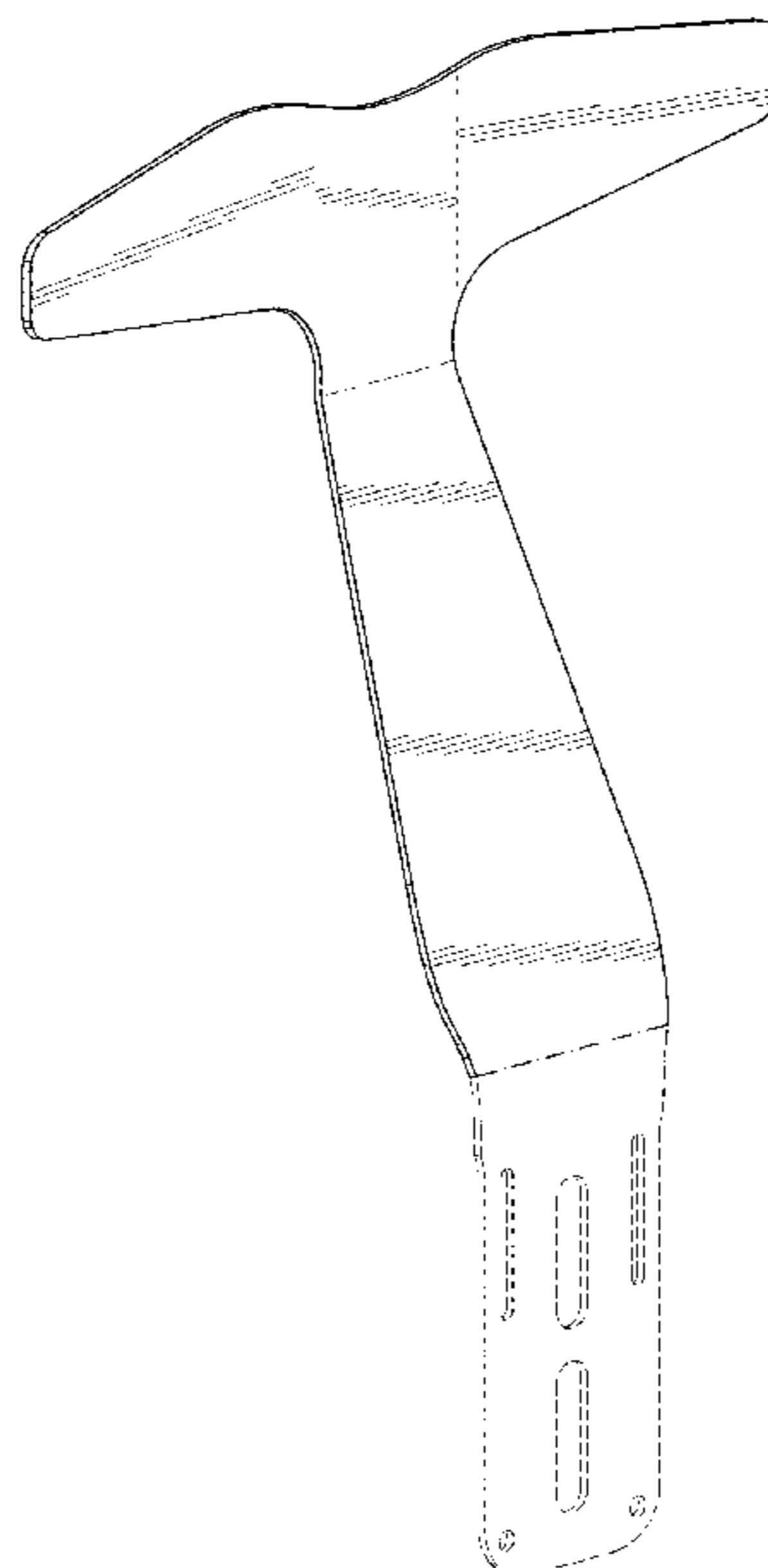
The ornamental design for a posterior strut, as shown and described.

DESCRIPTION

FIG. 1 is a perspective view of a posterior strut.
FIG. 2 is a front elevational view according to FIG. 1.
FIG. 3 is a rear elevational view according to FIG. 1.
FIG. 4 is a top plan view according to FIG. 1.
FIG. 5 is a bottom plan view according to FIG. 1.
FIG. 6 is a first side elevational view according to FIG. 1; and,
FIG. 7 is a second side elevational view according to FIG. 1.
In the drawings, the evenly-spaced broken lines show portions of a posterior strut that form no part of the claim; the dash-dot-dash lines represent boundaries of the claimed design and form no part thereof.

(56) **References Cited**
U.S. PATENT DOCUMENTS
3,358,678 A 12/1967 Kultsar
3,449,769 A 6/1969 Mizen
4,180,870 A 1/1980 Radulovic et al.
4,298,149 A 11/1981 Gottschalk et al.
4,669,451 A 6/1987 Blauth et al.
4,836,195 A 6/1989 Berrehail
4,896,660 A 1/1990 Scott
5,282,460 A 2/1994 Boldt
5,385,536 A 1/1995 Burkhead et al.
5,407,420 A 4/1995 Bastyr et al.
6,113,562 A 9/2000 Bonutti et al.
6,301,526 B1 10/2001 Kim et al.
6,599,263 B1 7/2003 Bonutti et al.

1 Claim, 5 Drawing Sheets



(56)

References Cited

U.S. PATENT DOCUMENTS

7,947,004 B2 5/2011 Kazerooni et al.
 7,955,285 B2 6/2011 Bonutti et al.
 8,152,699 B1 4/2012 Ma et al.
 8,172,779 B2 5/2012 Ingimundarson et al.
 8,273,043 B2 9/2012 Bonutti et al.
 8,409,118 B2 4/2013 Agrawal et al.
 8,425,436 B2 4/2013 Sankai
 8,460,222 B2 6/2013 Garrec
 8,591,442 B2 11/2013 Bonutti et al.
 D696,407 S * 12/2013 Herman D24/188
 8,641,782 B2 2/2014 Kim et al.
 8,657,769 B2 2/2014 Ingimundarson et al.
 8,968,222 B2 3/2015 Kazerooni et al.
 9,144,528 B2 9/2015 Agrawal et al.
 9,204,730 B2 12/2015 Brown
 9,205,017 B2 12/2015 Doyle
 9,345,606 B2 5/2016 Bonutti et al.
 9,358,173 B2 6/2016 Fu et al.
 9,375,325 B2 6/2016 Garrec et al.
 9,404,618 B2 8/2016 Brown et al.
 9,427,865 B2 8/2016 Doyle
 9,572,705 B2 2/2017 Ingimundarson et al.
 D818,132 S * 5/2018 Hille D24/190
 D821,590 S * 6/2018 Hylton D24/190
 D847,356 S * 4/2019 Chen D24/190
 D855,820 S * 8/2019 Harashima D24/215
 D858,780 S * 9/2019 Sikandar D24/190
 2003/0115954 A1 6/2003 Zemlyakov et al.
 2007/0060445 A1 3/2007 Reinkensmeyer
 2007/0225620 A1 9/2007 Carignan et al.
 2010/0204804 A1 8/2010 Garrec
 2010/0217163 A1 8/2010 Sankai
 2011/0127390 A1 6/2011 Brown
 2012/0010749 A1 1/2012 Van Der Merwe et al.
 2012/0172769 A1 7/2012 Garrec
 2012/0179075 A1 7/2012 Perry et al.

2012/0184880 A1 7/2012 Doyle
 2014/0033391 A1 2/2014 Doyle
 2014/0158839 A1 6/2014 Doyle
 2015/0048134 A1 2/2015 Fawcett et al.
 2015/0076196 A1 3/2015 Brown et al.
 2015/0217444 A1 8/2015 Asada et al.
 2015/0316204 A1 11/2015 Doyle
 2016/0081871 A1 3/2016 Doyle
 2016/0206497 A1 7/2016 Deshpande et al.
 2016/0250061 A1 9/2016 Ingimundarson et al.
 2017/0165095 A1 * 6/2017 Romo A61F 5/0113
 2017/0173783 A1 6/2017 Angold et al.

FOREIGN PATENT DOCUMENTS

KR 20150003562 U 10/2015
 WO 9532842 A2 12/1995
 WO 2008031023 A2 3/2008

OTHER PUBLICATIONS

AliMed. AliMed® Carbon Fiber Anterior Lateral Struts. No date specified. <https://www.alimed.com/alimed-carbon-fiber-anterior-lateral-struts.html> (Year: 0).*

Etherington et al., "Hyundai's Future Mobility Plans Include Wearable Robotic Assistants," Tech Crunch, Dec. 9, 2016, 10 Pages, <https://techcrunch.com/2016/12/19/hyundais-future-mobility-plans-include-wearable-robotic-assistants/>.

"Ford Pilots New Exoskeleton Technology to Help Lessen Chance of Worker Fatigue, Injury," Ford Media Center, Nov. 9, 2017, 2 Pages, <https://media.ford.com/content/fordmedia/fna/us/en/news/2017/11/09/ford-exoskeleton-technology-pilot.html>.

"StrongArm Ergoskeleton Lift Assist Device V22," Strong Arm Technologies, Retrieved from the Internet on Apr. 14, 2018, 2 Pages, www.strongarmtech.com.

* cited by examiner

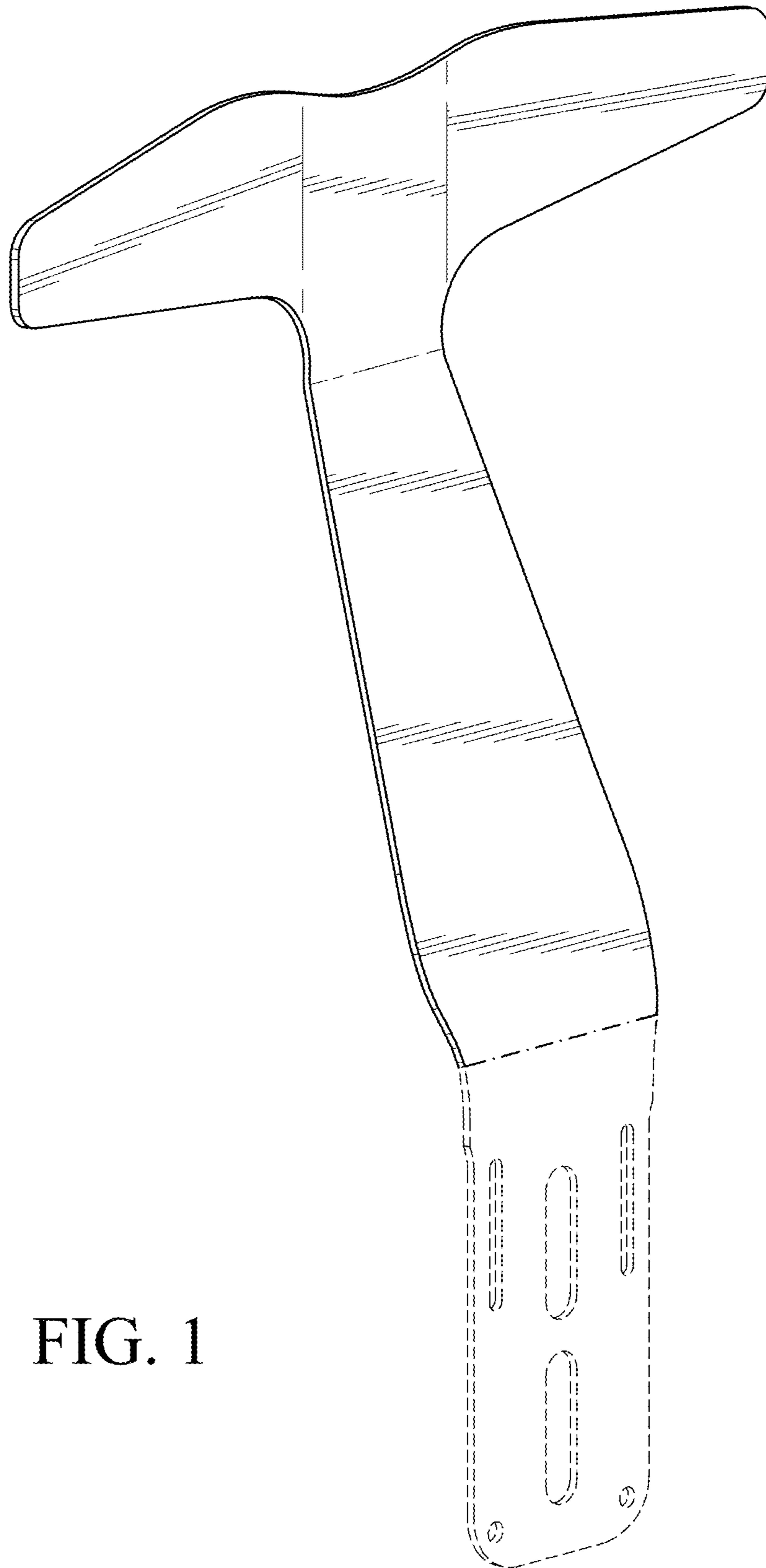


FIG. 1

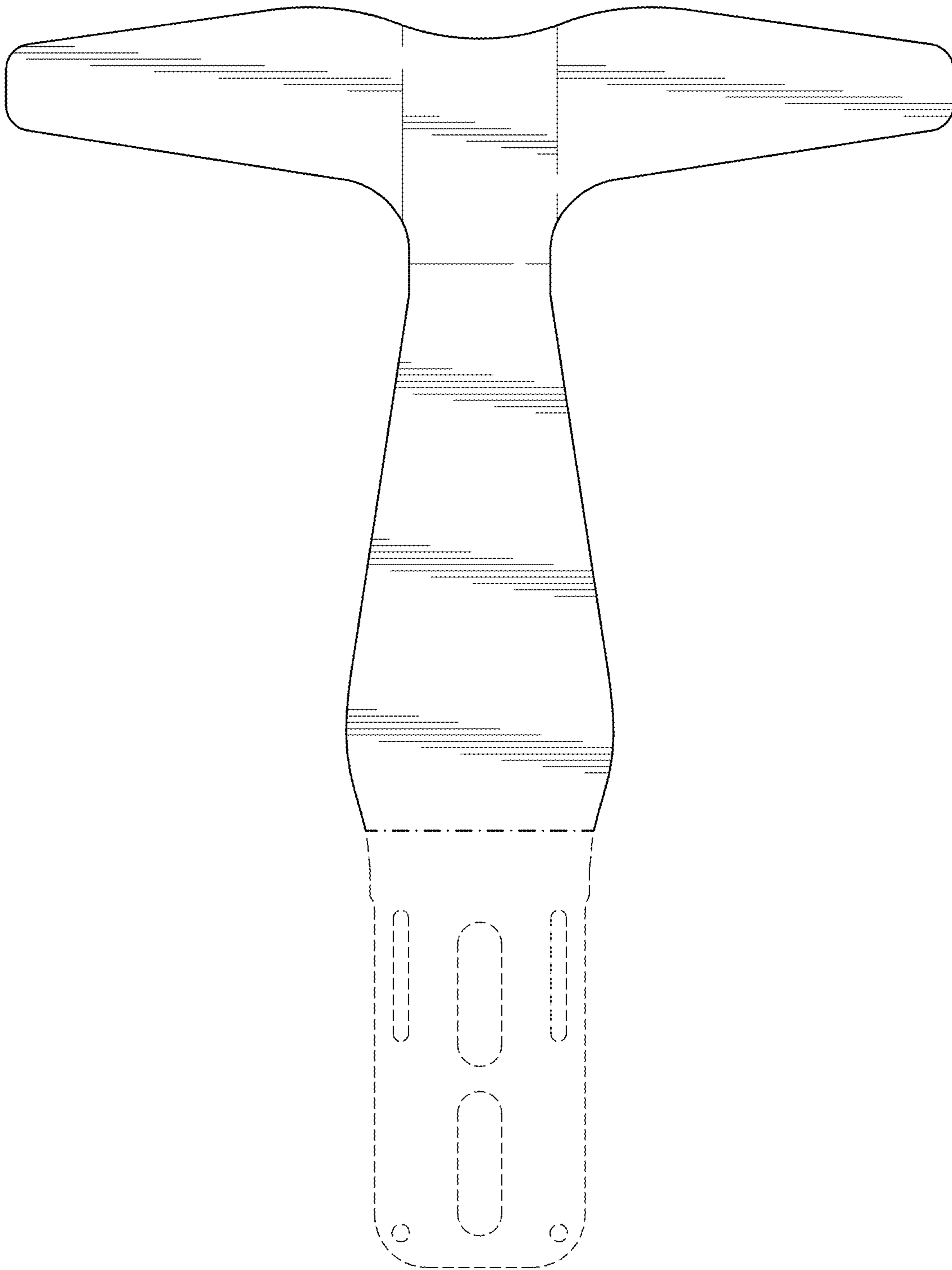


FIG. 2

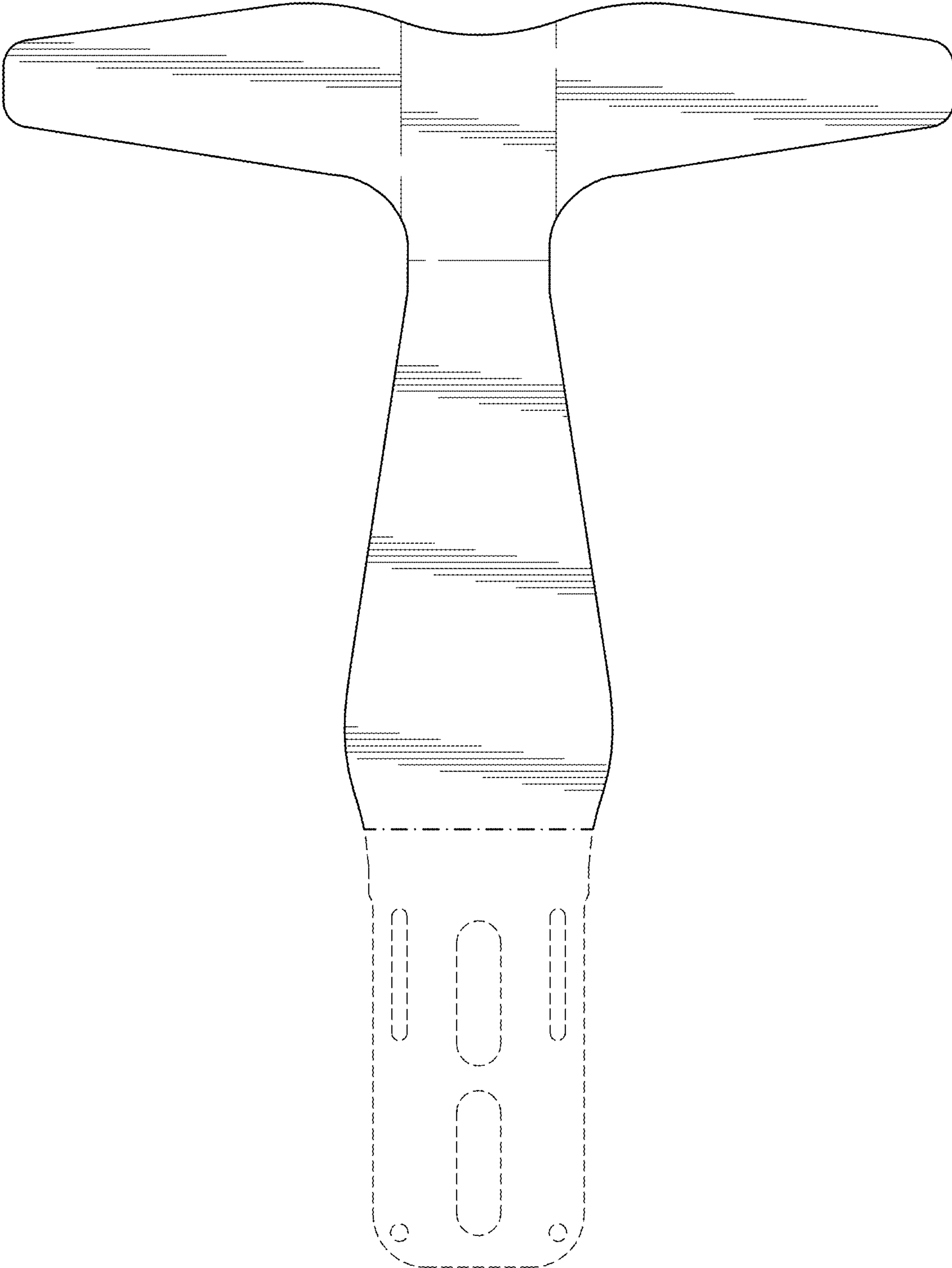


FIG. 3

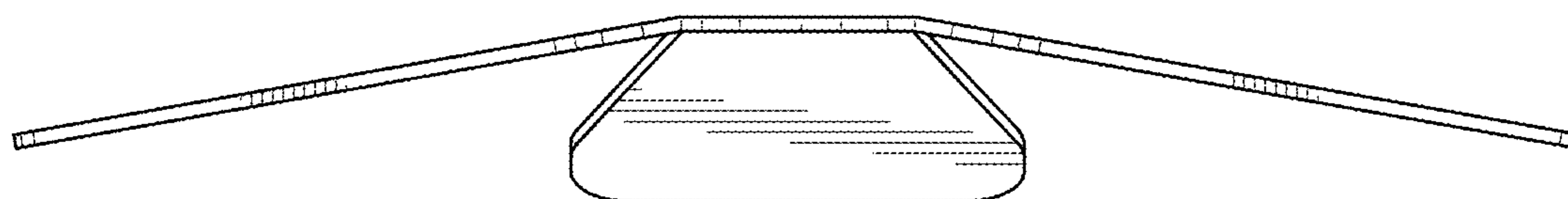


FIG. 4

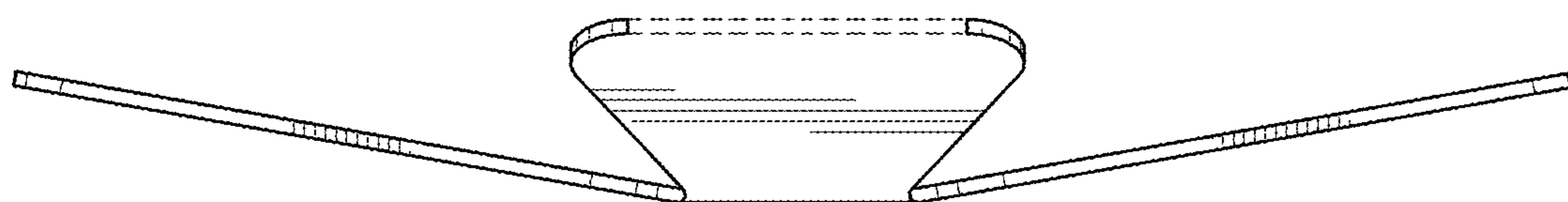


FIG. 5

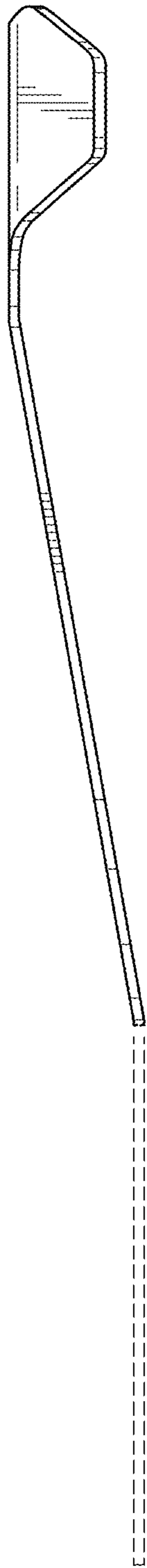


FIG. 6

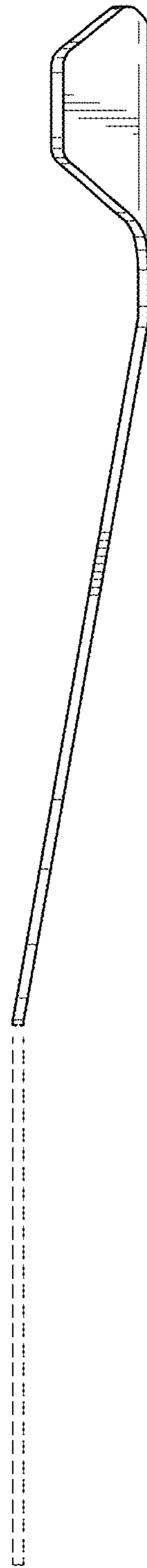


FIG. 7