



US00D876650S

(12) **United States Design Patent**
Larouche

(10) **Patent No.:** **US D876,650 S**

(45) **Date of Patent:** **** Feb. 25, 2020**

(54) **ELBOW BRACE**

D846,130 S * 4/2019 Watabe D24/190
D849,253 S * 5/2019 Siddiqui D24/190
D854,173 S * 7/2019 Violeau D24/190

(71) Applicant: **INDALO STUDIO INC.**, Montreal
(CA)

(72) Inventor: **Daniel Larouche**, Montreal (CA)

(73) Assignee: **INDALO STUDIO INC.** (CA)

(**) Term: **15 Years**

(21) Appl. No.: **29/643,853**

(22) Filed: **Apr. 12, 2018**

(51) **LOC (12) Cl.** **24-04**

(52) **U.S. Cl.**
USPC **D24/190**

(58) **Field of Classification Search**
USPC D24/188–194, 199, 200, 206, 212–215;
D29/100, 111, 113, 116.3, 120.1, 120.2,
D29/121.1, 121.2
CPC A61F 5/00; A61F 5/0123; A61F 5/0125;
A61F 5/0102
See application file for complete search history.

(56) **References Cited**

U.S. PATENT DOCUMENTS

6,080,122 A * 6/2000 Gulledge A61F 5/0125
602/16
8,376,974 B2 * 2/2013 Nace A61F 5/0123
601/35
D720,860 S * 1/2015 Meyer D24/190
D779,075 S * 2/2017 Fried D24/190
D819,219 S * 5/2018 Izuka D24/190
D819,822 S * 6/2018 Schmitt D24/192
10,226,373 B1 * 3/2019 McCoy A61F 5/0125

OTHER PUBLICATIONS

RehabMart. Mayo Clinic Elbow Brace. No date specified. <https://www.rehabmart.com/product/mayo-clinic-elbow-brace-43805.html>
(Year: 0).*

* cited by examiner

Primary Examiner — Darcey E Gottschalk
(74) *Attorney, Agent, or Firm* — Lavery, De Billy, LLP;
Gonzalo Lavin

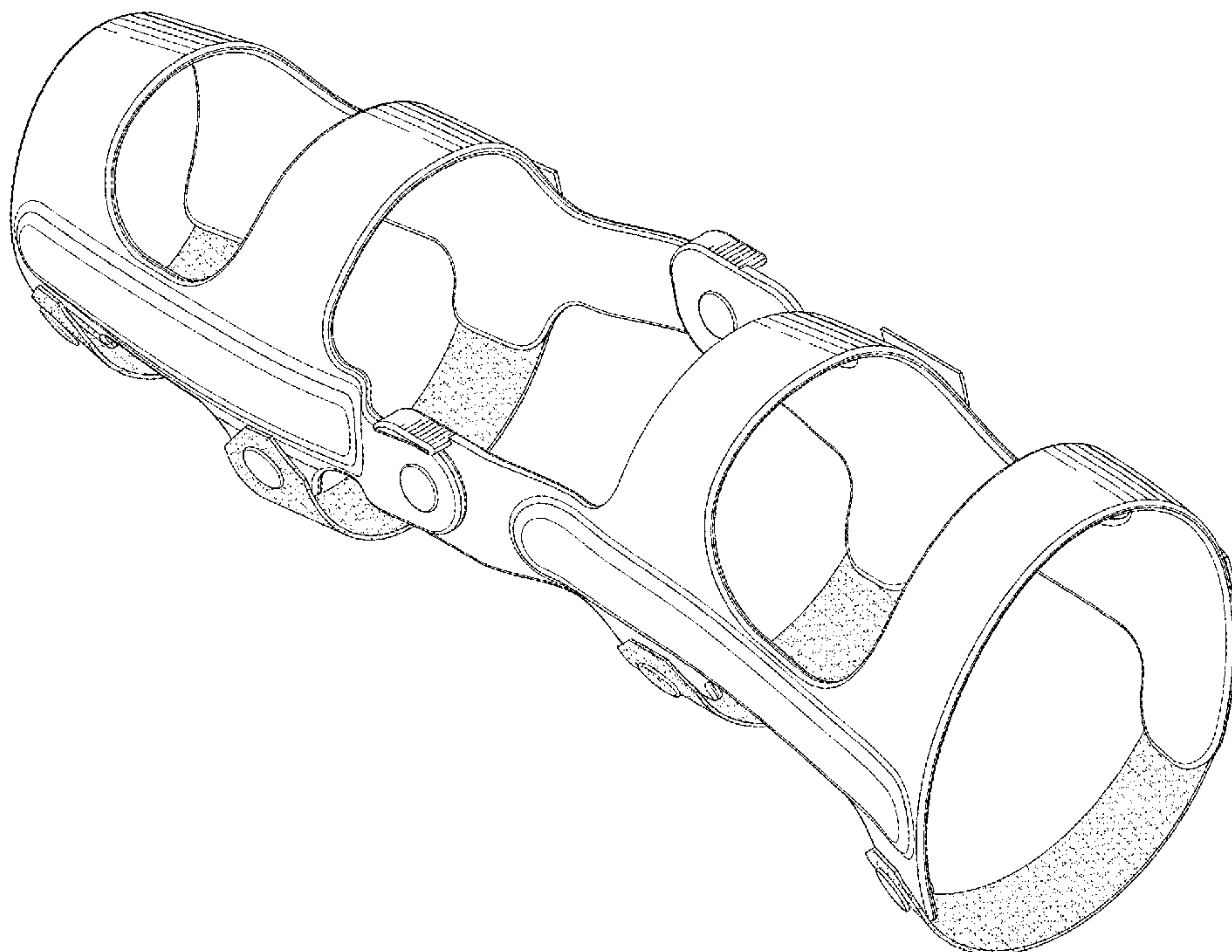
(57) **CLAIM**

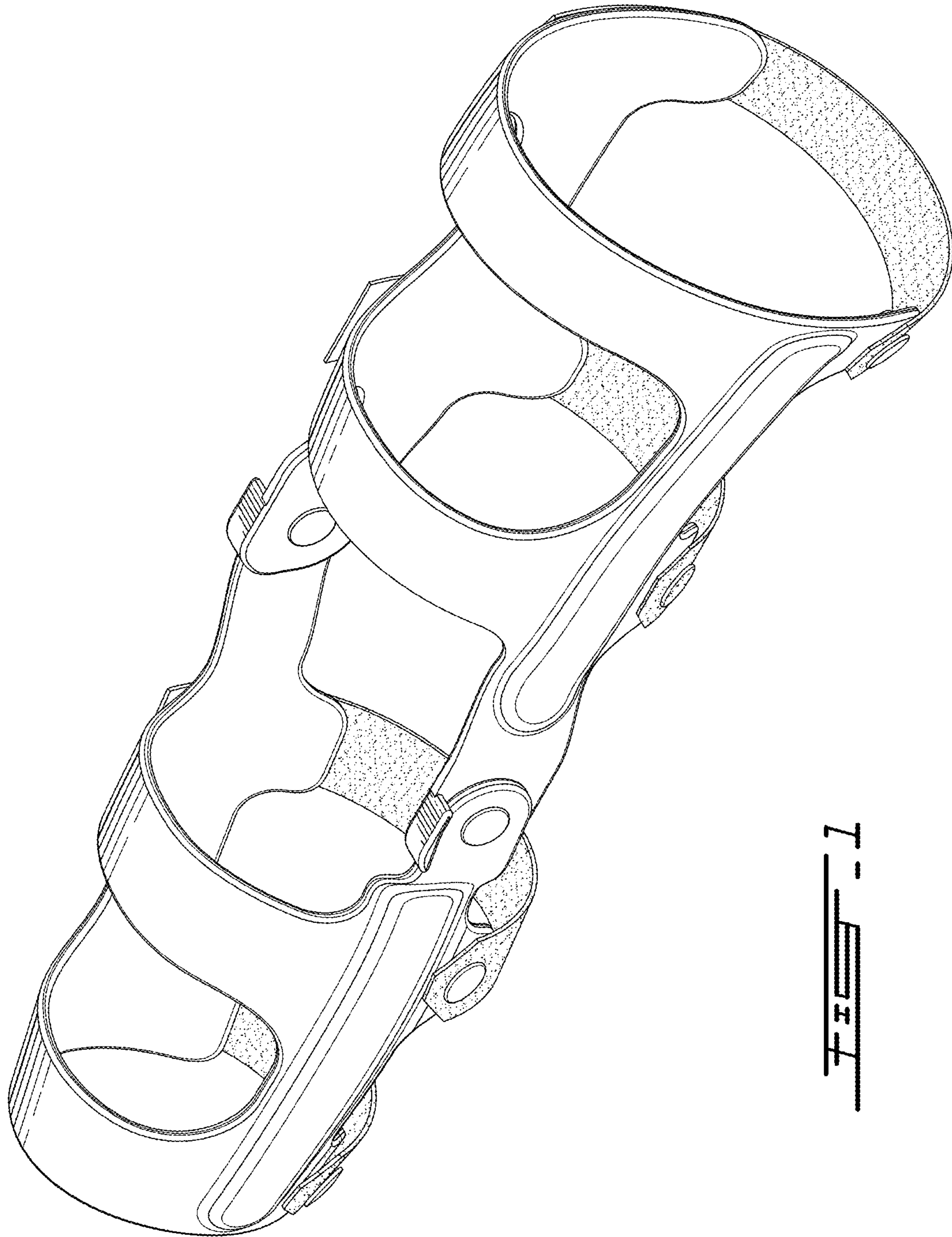
The ornamental design for an elbow brace, as shown and described.

DESCRIPTION

FIG. 1 is a perspective rear view of an elbow brace showing my new design;
FIG. 2 is a left view thereof;
FIG. 3 is a right view thereof;
FIG. 4 is a top view thereof;
FIG. 5 is a bottom view thereof;
FIG. 6 is a front plan view thereof; and,
FIG. 7 is a rear plan view thereof.
The stippling in the drawings indicates a contrast in appearance.

1 Claim, 6 Drawing Sheets





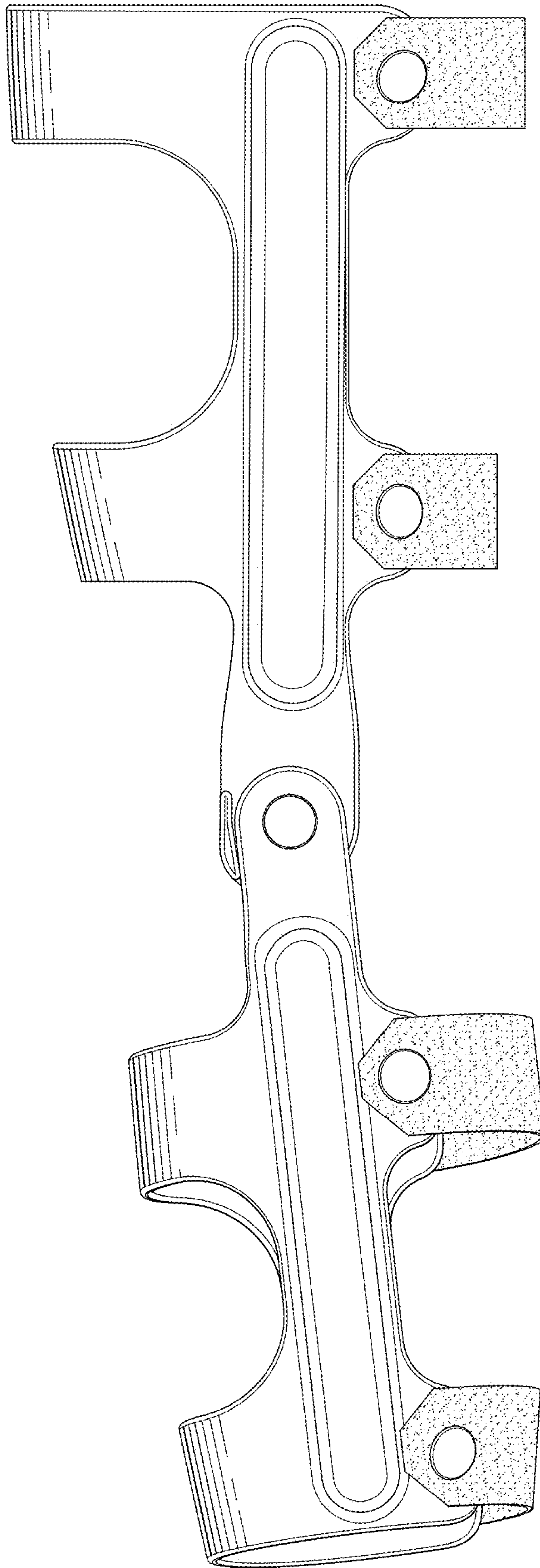


FIG. 2

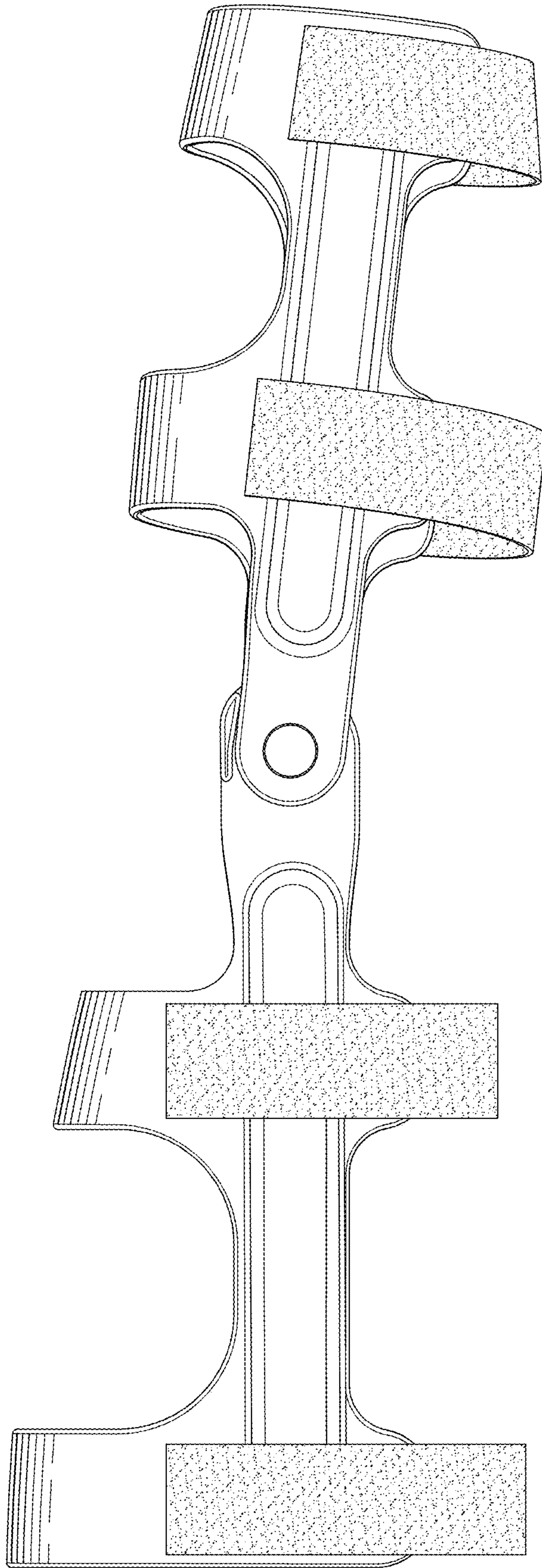


FIG. 3

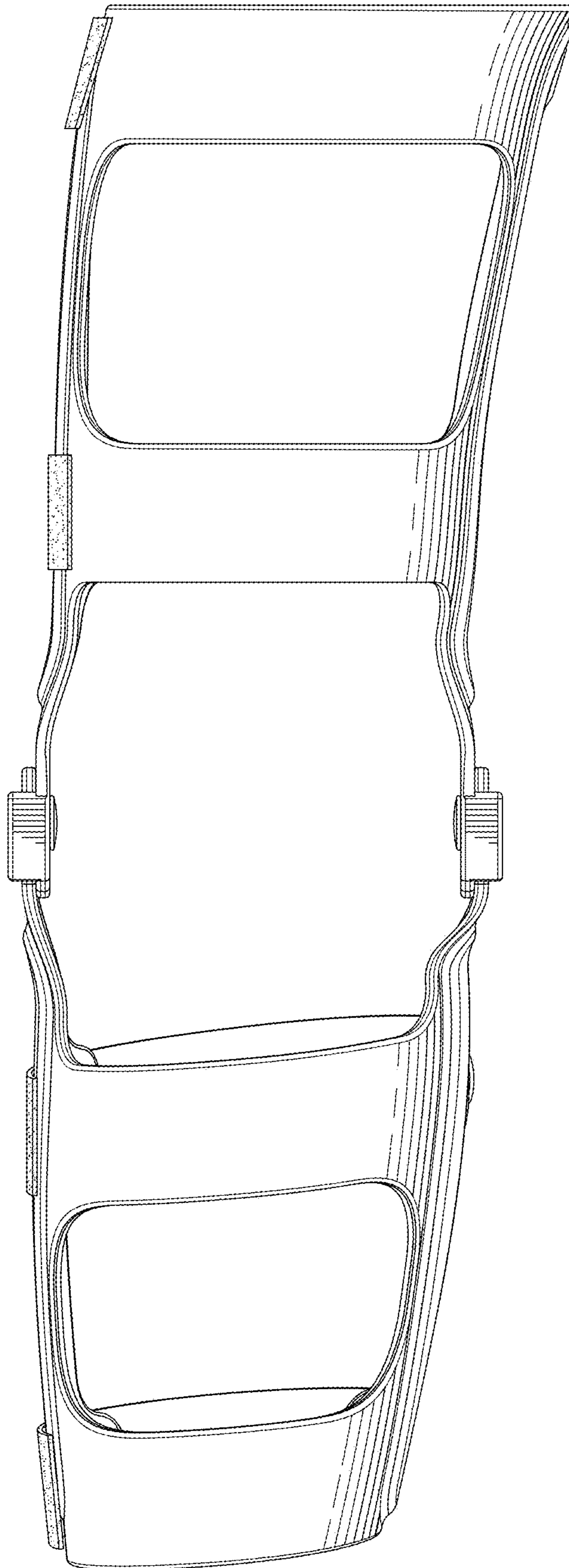


FIG. 4

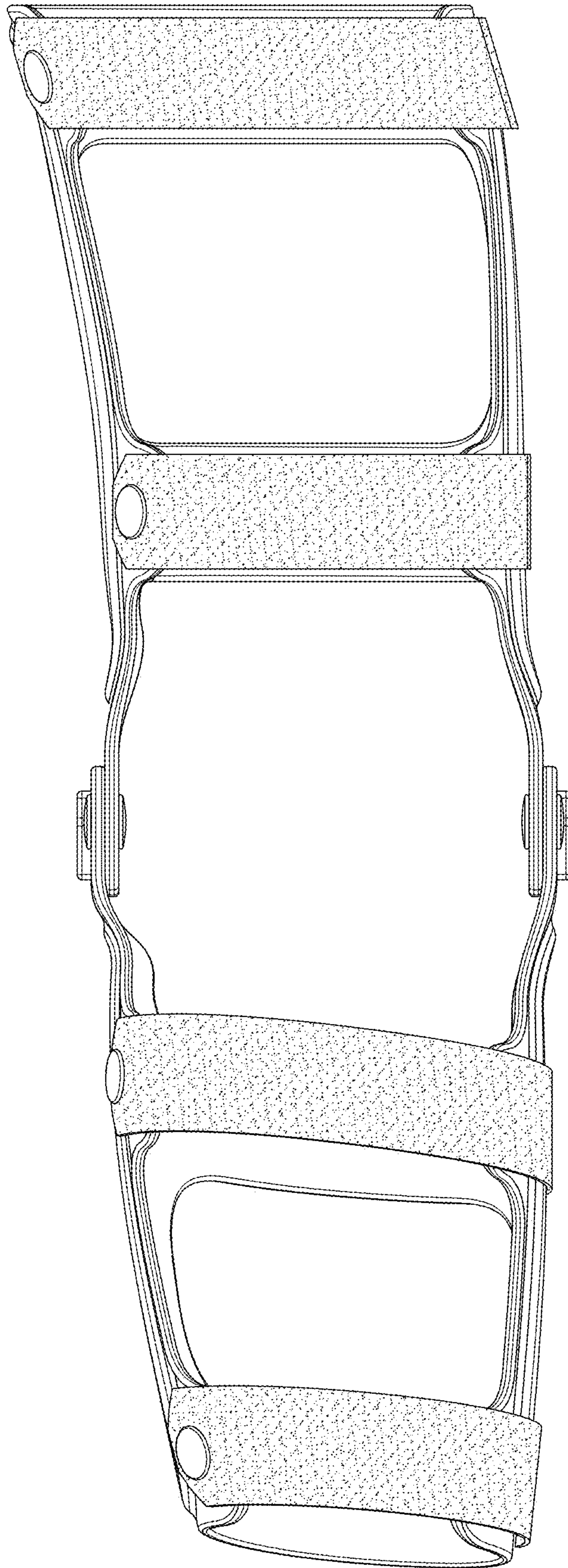


FIG. 5

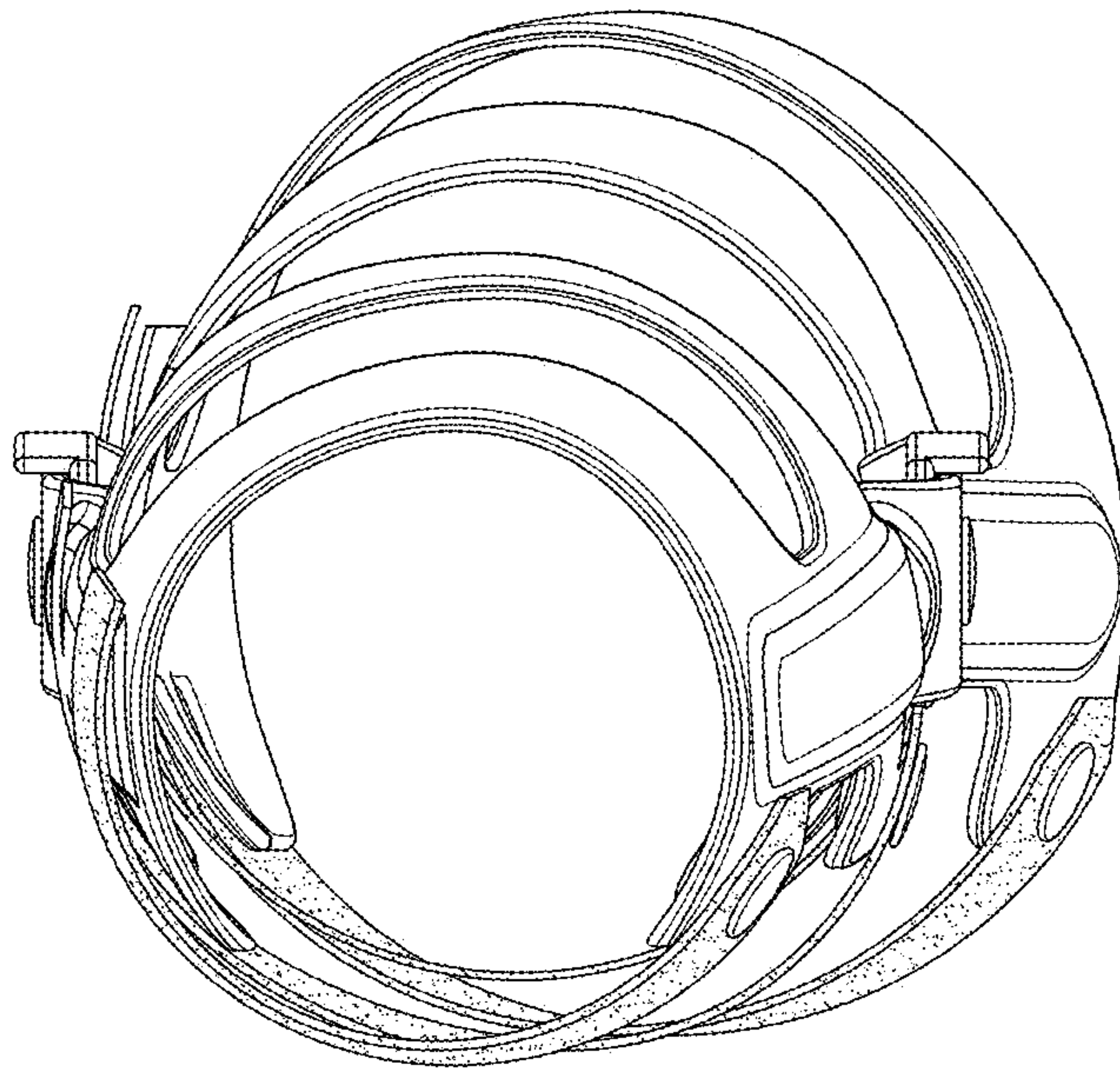


FIG. 6

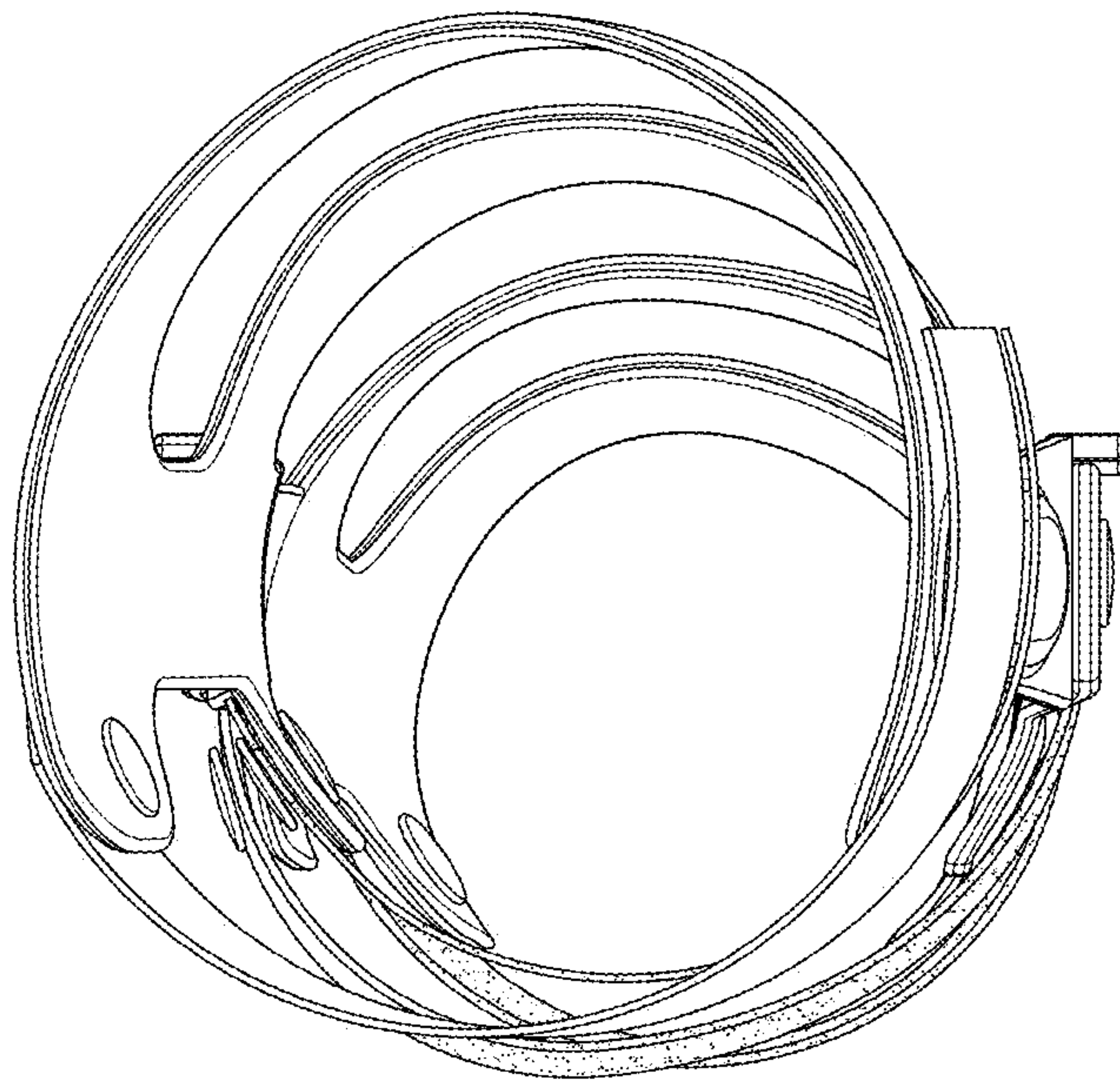


FIG. 7