



US00D876637S

(12) **United States Design Patent** (10) **Patent No.:** **US D876,637 S**
Moon et al. (45) **Date of Patent:** **** Feb. 25, 2020**

(54) **PROBE FOR ULTRASOUND DIAGNOSTIC UNIT**

D822,218 S * 7/2018 Asai D24/187
D827,842 S * 9/2018 Bainton D24/200
2015/0250447 A1* 9/2015 Kubota A61B 8/0841
600/464

(71) Applicant: **SAMSUNG MEDISON CO., LTD.**,
Hongcheon-gun (KR)

FOREIGN PATENT DOCUMENTS

(72) Inventors: **Junpil Moon**, Seoul (KR); **Seungju Lee**, Seoul (KR)

CN 201430231079 * 7/2014
CN 201830369316.7 * 7/2018

(73) Assignee: **Samsung Medison Co., Ltd.**,
Hongcheon-gun (KR)

OTHER PUBLICATIONS

(**) Term: **15 Years**

Mindray V11-3Ws Transvaginal Ultrasound Transducer. Online, published date unknown. Retrieved on May 19, 2019 from URL: <https://mindrayamerica.com/mindray-medical-equipment/v11-3ws-transvaginal-ultrasound-transducer-for-sale/>.*

(21) Appl. No.: **29/639,693**

* cited by examiner

(22) Filed: **Mar. 8, 2018**

(30) **Foreign Application Priority Data**

Primary Examiner — Susan Bennett Hattan
Assistant Examiner — Omeed Agilee
(74) *Attorney, Agent, or Firm* — Ladas & Parry LLP

Sep. 8, 2017 (KR) 30-2017-0042152

(51) **LOC (12) Cl.** **24-02**

(52) **U.S. Cl.**
USPC **D24/187**

(57) **CLAIM**

(58) **Field of Classification Search**
USPC D24/133, 137, 138, 141, 158, 160, 164,
D24/165, 167, 170, 186, 187, 200;
D10/57, 60, 78, 80
CPC A61B 5/0095; A61B 8/4444; G01S 7/5208
See application file for complete search history.

We claim the ornamental design for a probe for ultrasound diagnostic unit, as shown and described.

DESCRIPTION

(56) **References Cited**

U.S. PATENT DOCUMENTS

D616,992 S * 6/2010 Kitayama D24/186
D697,627 S * 1/2014 Takano D24/187
D701,606 S * 3/2014 Ohmukai D24/187
D703,331 S * 4/2014 Kitayama D24/187
D703,333 S * 4/2014 Saeki D24/187
D703,822 S * 4/2014 Moon D24/187
D728,802 S * 5/2015 Matsumura D24/187
D818,594 S * 5/2018 Asai D24/187
D819,217 S * 5/2018 Harada D24/187

FIG. 1 is the front perspective view of a probe for ultrasound diagnostic unit showing our new design;
FIG. 2 is the front view thereof;
FIG. 3 is the rear view thereof;
FIG. 4 is the left-side view thereof;
FIG. 5 is the right-side view thereof;
FIG. 6 is the top view thereof;
FIG. 7 is the bottom view thereof; and,
FIG. 8 is the rear perspective view thereof.
The broken lines depict portions of the probe for ultrasound diagnostic unit that form no part of the claimed design.

1 Claim, 5 Drawing Sheets

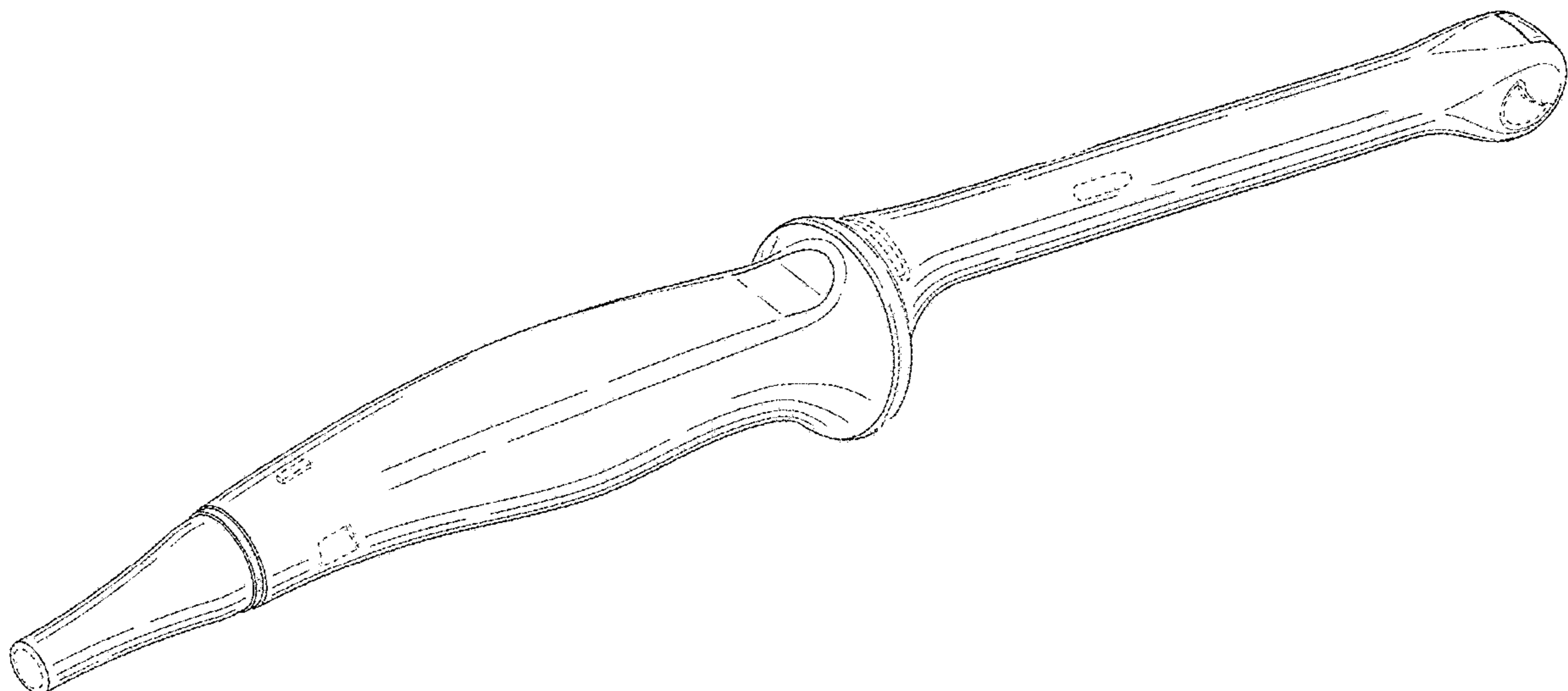


FIG. 1

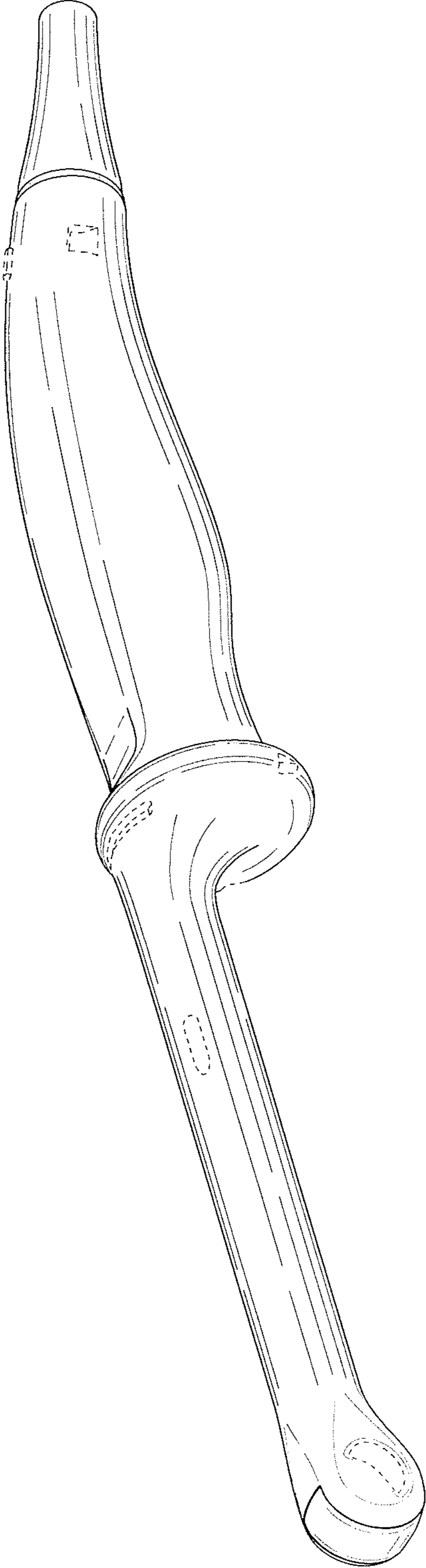


FIG. 2

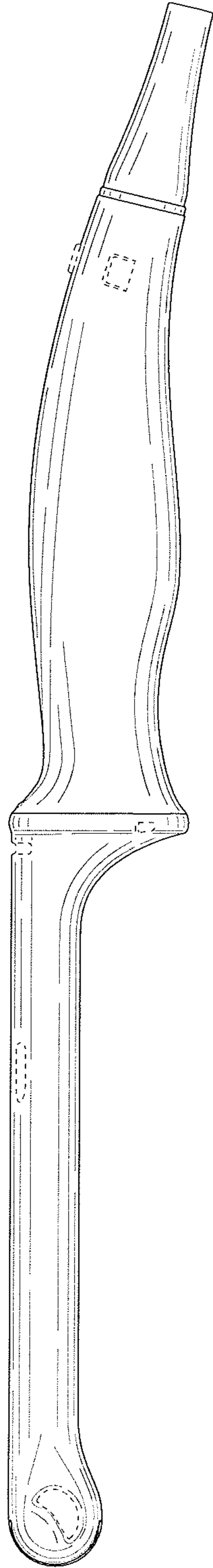


FIG. 3

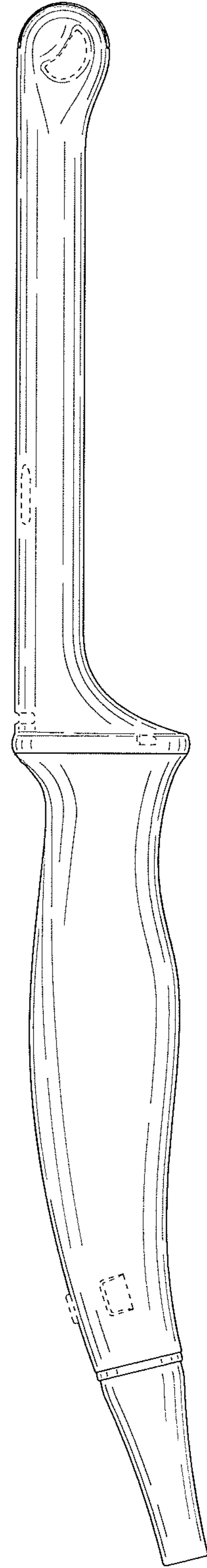


FIG. 4

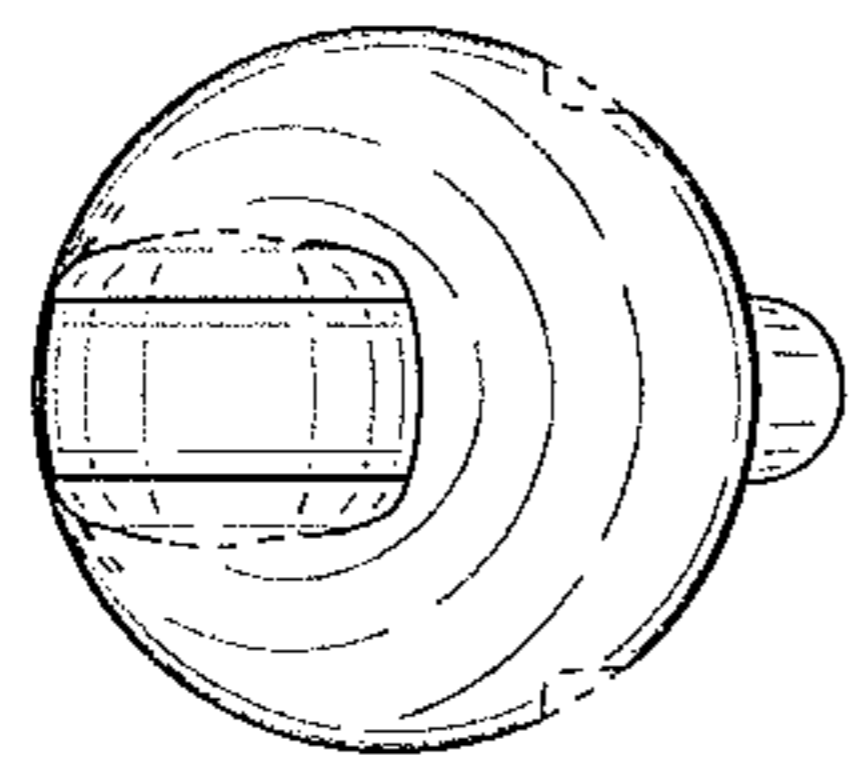


FIG. 5

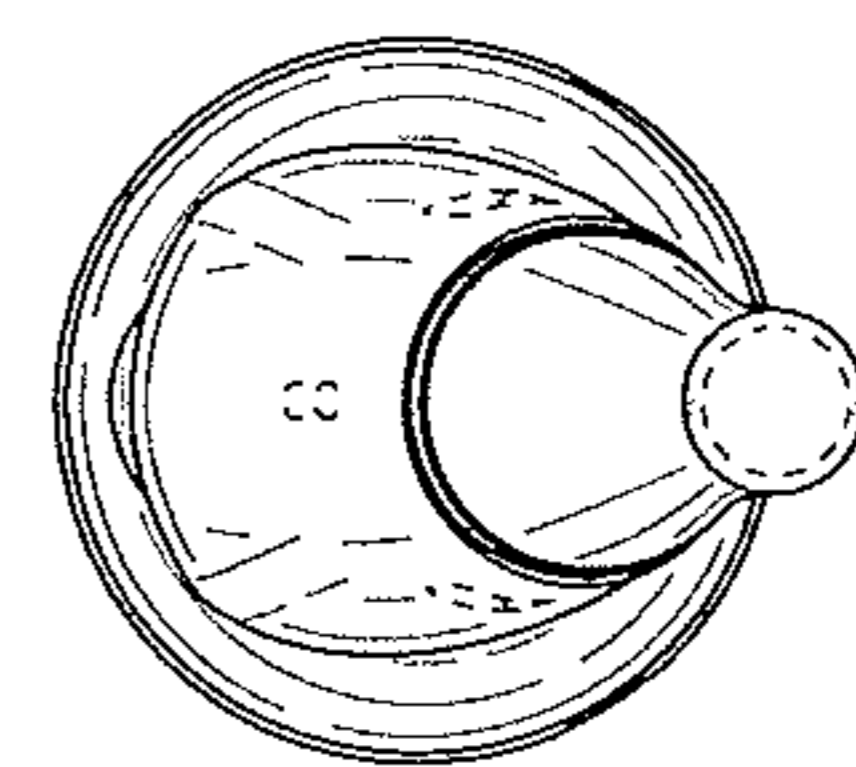


FIG. 6

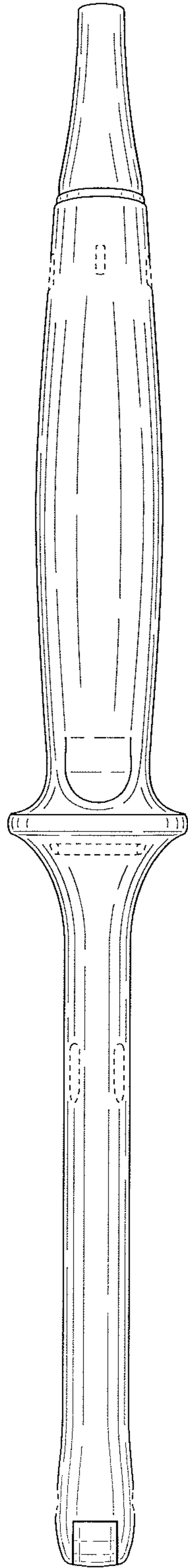


FIG. 7

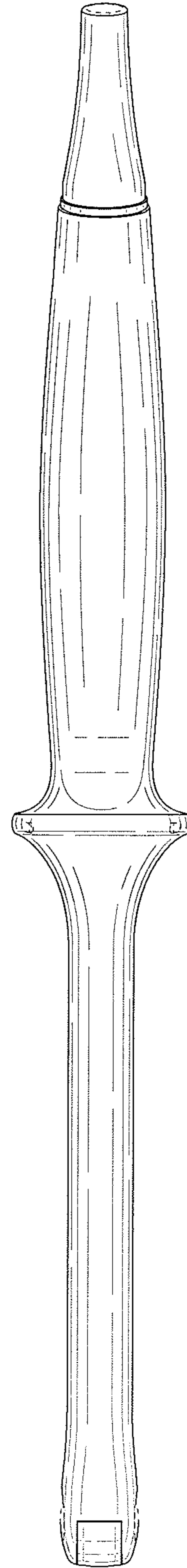


FIG. 8

