

US00D876635S

(12) **United States Design Patent** (10) **Patent No.:** **US D876,635 S**
Simson (45) **Date of Patent:** **** Feb. 25, 2020**

(54) PATIENT LIFT	7,287,288 B2 * 10/2007 Walker A61G 7/1015 5/89.1
(71) Applicant: Anton K. Simson , Truckee, CA (US)	7,373,704 B1 * 5/2008 Blacklock A61G 7/1015 27/28
(72) Inventor: Anton K. Simson , Truckee, CA (US)	D590,565 S * 4/2009 Spidare D34/183 8,214,945 B2 * 7/2012 Walker A61G 7/1015 5/83.1
(**) Term: 15 Years	D721,179 S * 1/2015 Matsuda D24/183 D846,744 S * 4/2019 Simson D24/184 D848,002 S * 5/2019 Simson D24/183
(21) Appl. No.: 29/686,355	2016/0296400 A1 * 10/2016 Simson A61G 7/1017
(22) Filed: Apr. 3, 2019	

Related U.S. Application Data

(60) Division of application No. 29/610,339, filed on Jul. 11, 2017, now Pat. No. Des. 848,002, which is a continuation-in-part of application No. 29/559,299, filed on Mar. 25, 2016, now Pat. No. Des. 846,744.

(51) **LOC (12) Cl.** **24-02**

(52) **U.S. Cl.**
USPC **D24/183**

(58) **Field of Classification Search**
USPC D24/107, 108, 113, 114, 121, 133, 183,
D24/184, 186, 190-192, 216, 222, 224,
D24/225, 226, 227, 228, 229, 230, 231,
D24/233; D34/28, 33, 35; D6/382, 383
CPC B01F 13/0025; B01J 2219/00292; B01J
2220/64; B01L 3/14; B01L 3/508-50825;
B01L 3/52-523
See application file for complete search history.

(56) **References Cited**

U.S. PATENT DOCUMENTS

3,222,692 A *	12/1965	Shewchenko	A61B 6/04 5/625
4,506,664 A *	3/1985	Brault	A61F 5/05883 5/628
D403,828 S *	1/1999	Greaves	D34/33
D454,998 S *	3/2002	Czemerer	D34/28
6,817,363 B2 *	11/2004	Biondo	A61G 5/006 128/845

OTHER PUBLICATIONS

DME Innovations Co. EquityNet. [online] Retrieved Jun. 7, 2018 from URL: <https://www.equitynet.com/c/dme-innovations-co>.*

* cited by examiner

Primary Examiner — Vy N Koenig

(74) *Attorney, Agent, or Firm* — Charmasson, Buchaca & Leach, LLP

(57) **CLAIM**

The ornamental design for a patient lift, as shown and described.

DESCRIPTION

FIG. 1 is a top, front, left perspective view of a patient lift according to my new design.

FIG. 2 is a bottom back right perspective view thereof.

FIG. 3 is a front elevation view thereof.

FIG. 4 is a back elevation view thereof.

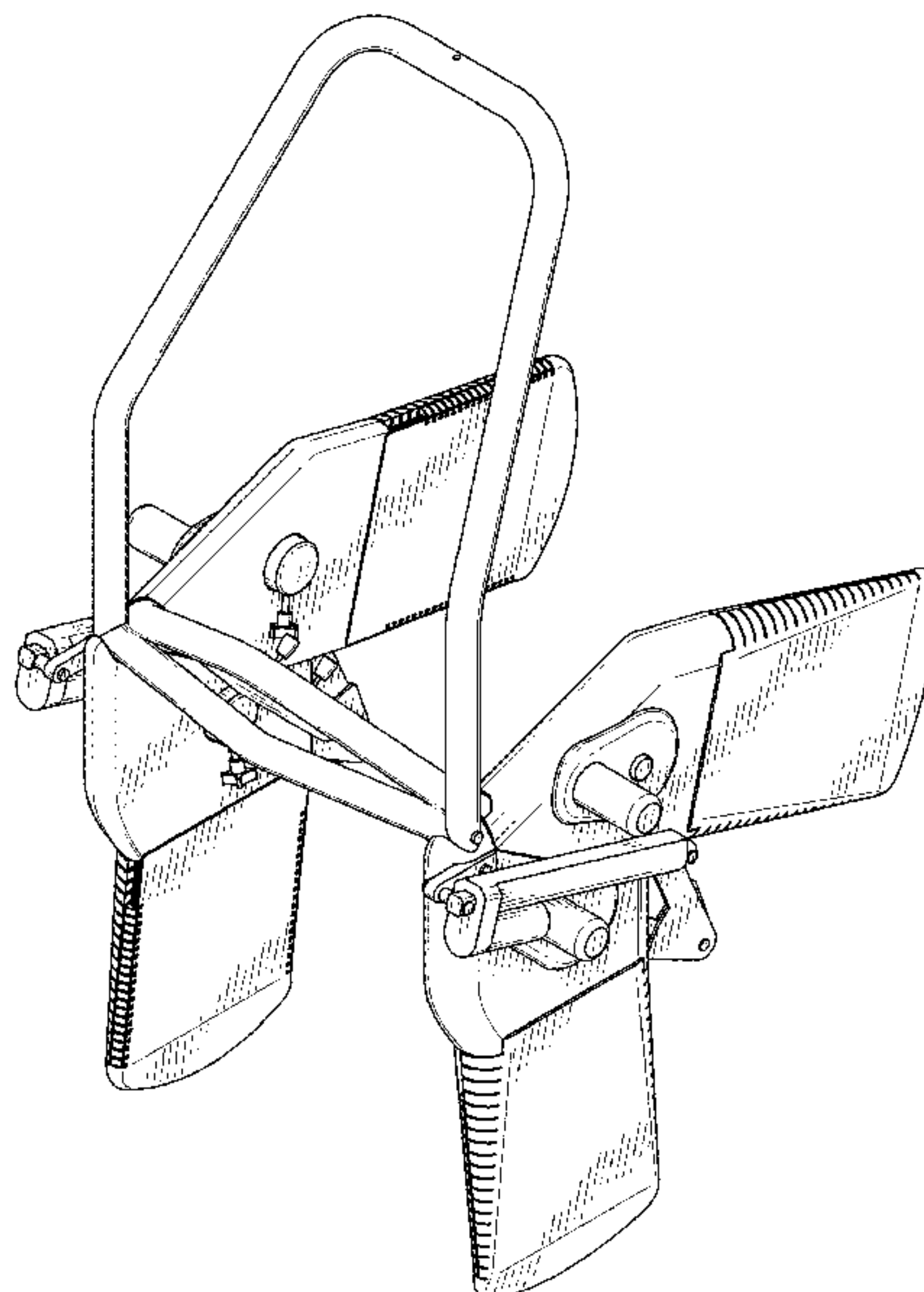
FIG. 5 is a top plan view thereof.

FIG. 6 is a bottom plan view thereof; and,

FIG. 7 is a right side elevation view thereof, the left side elevation view being a mirror image thereof.

Shading lines are used to show solid material and are not intended to indicate surface decoration.

1 Claim, 7 Drawing Sheets



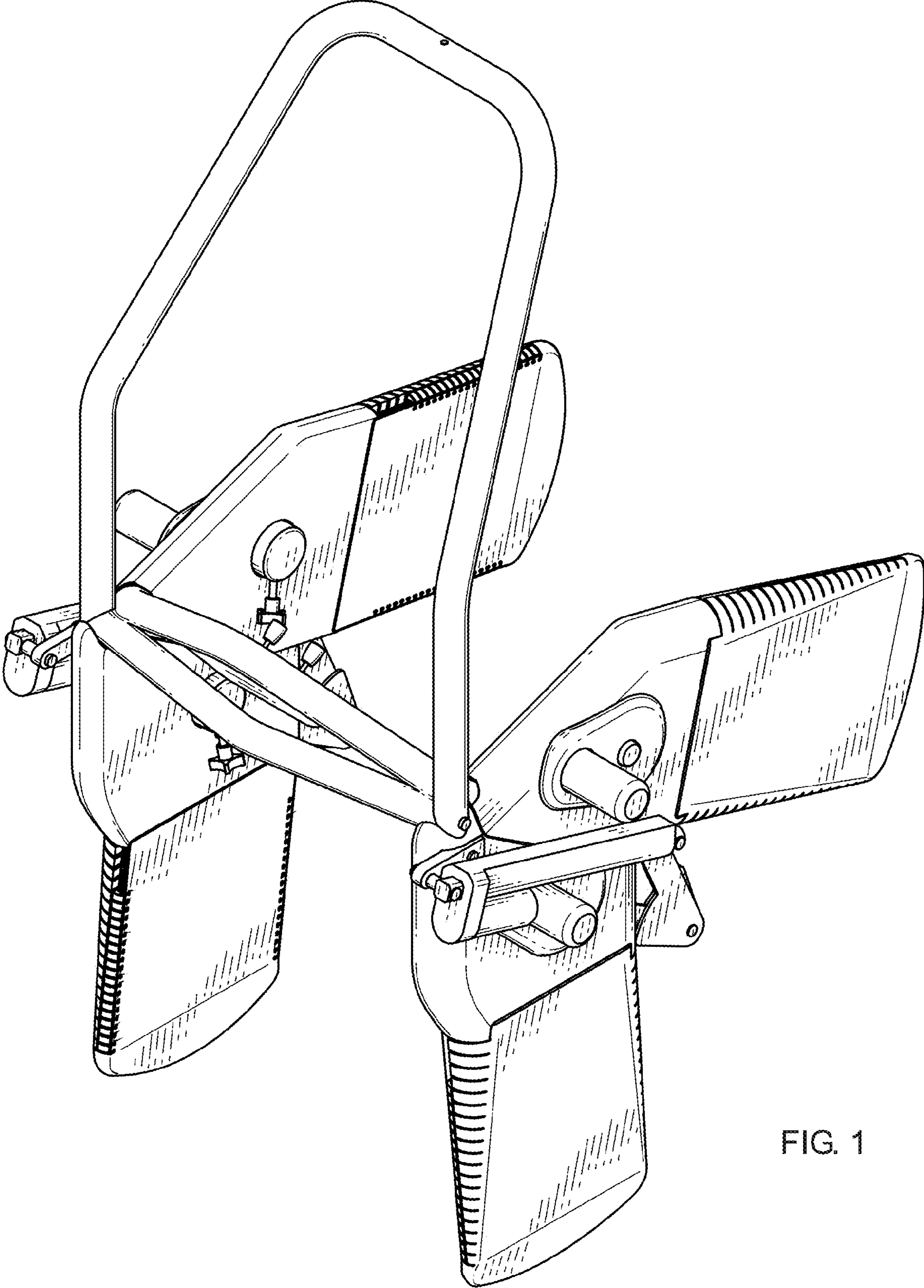


FIG. 1

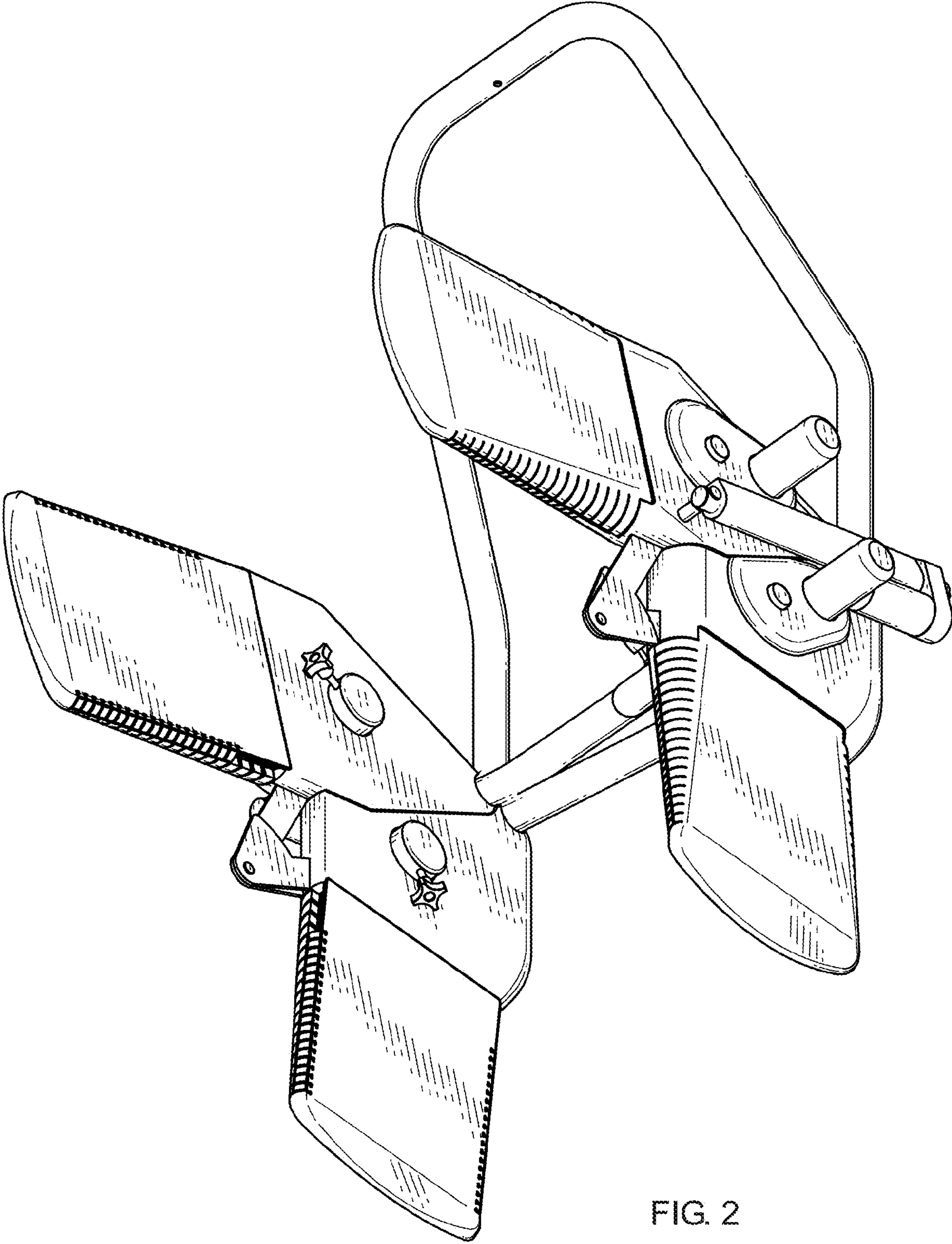


FIG. 2

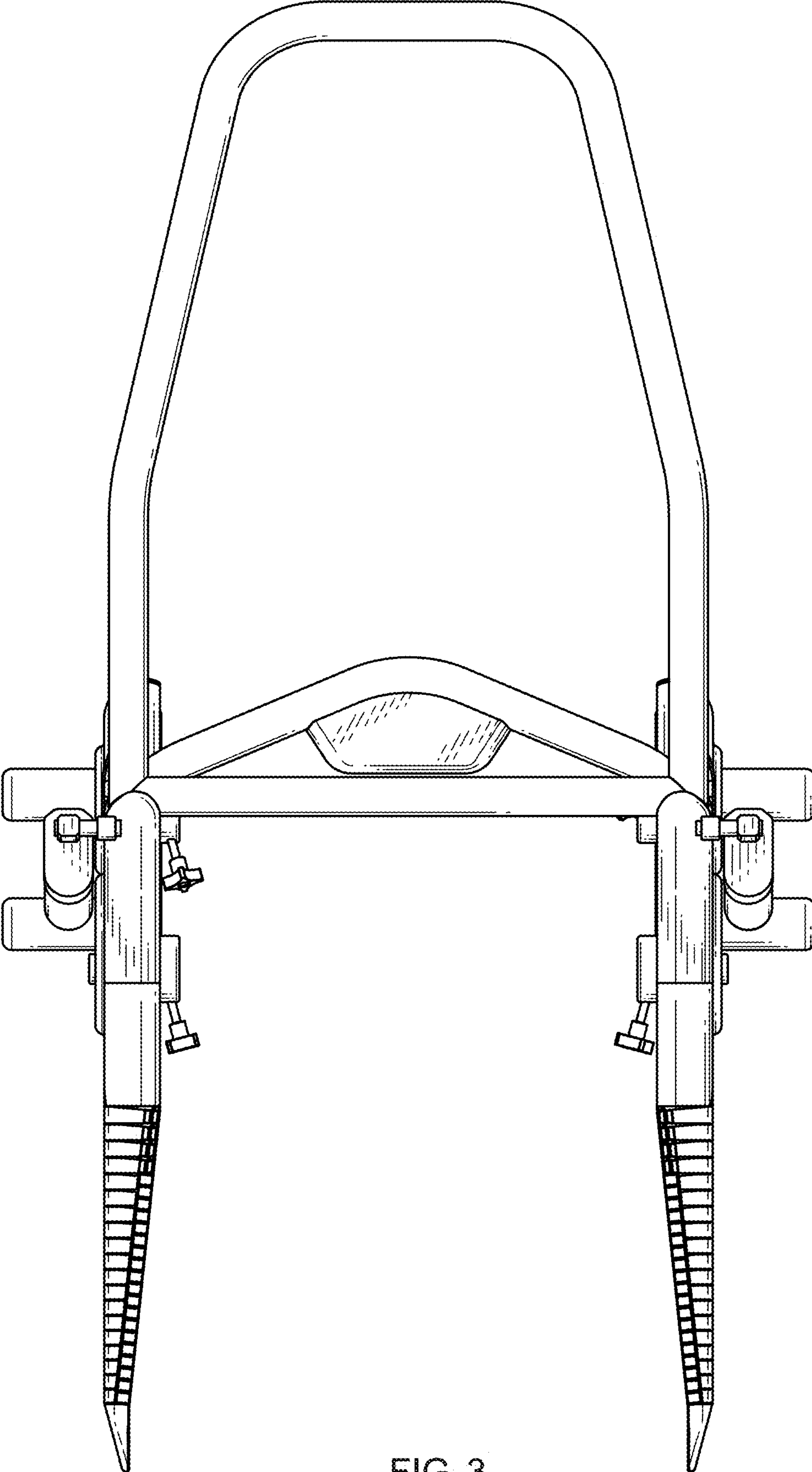


FIG. 3

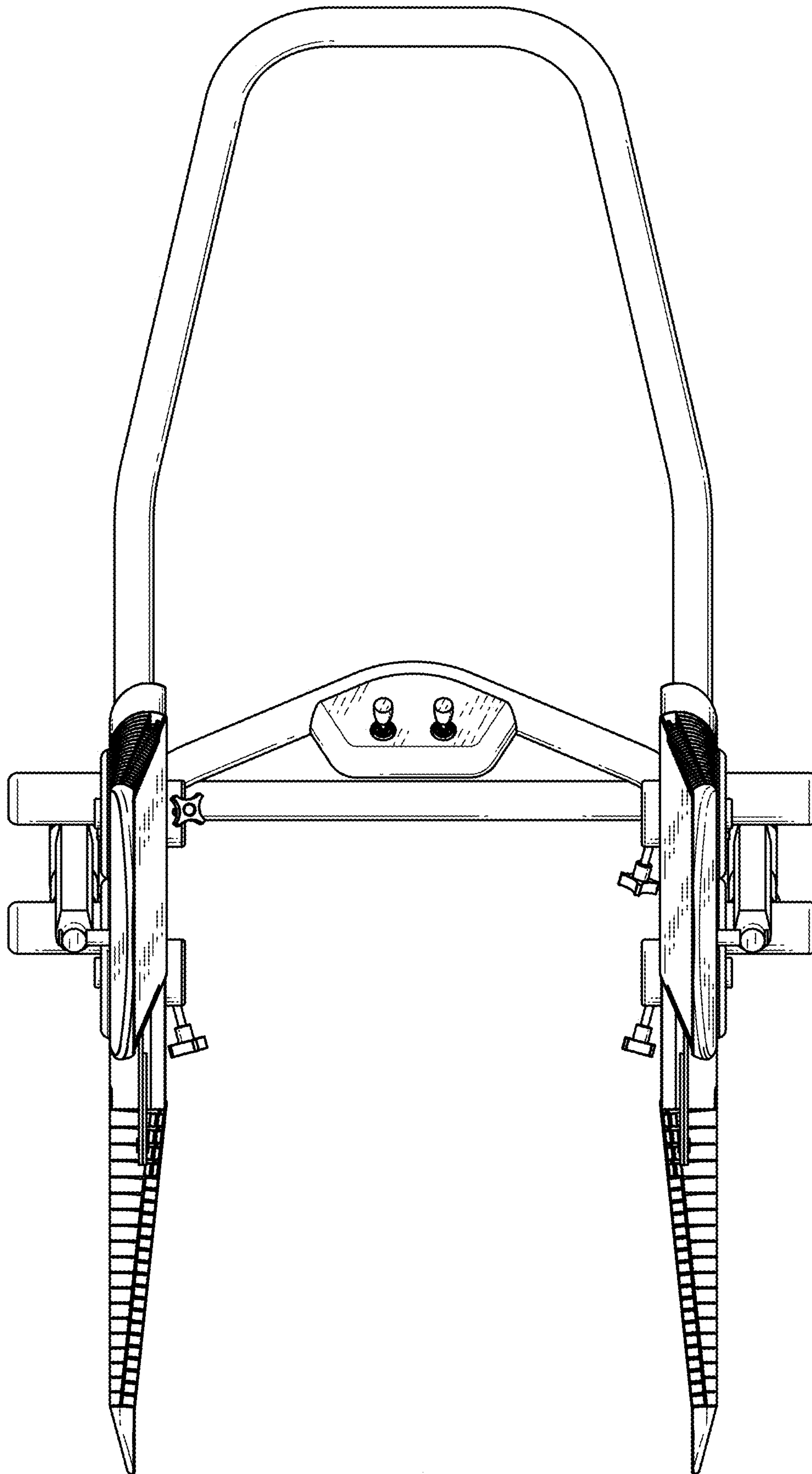


FIG. 4

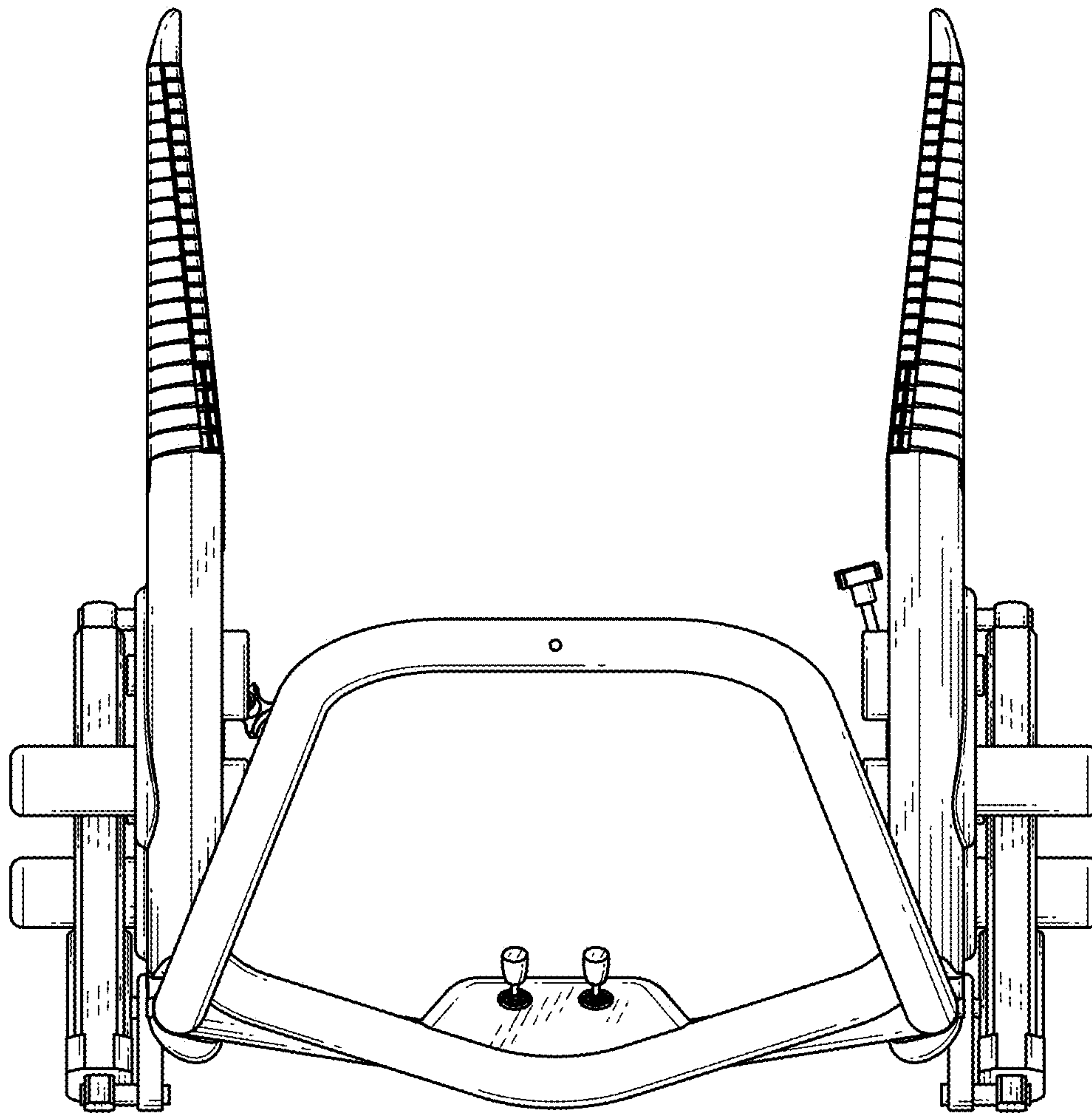


FIG. 5

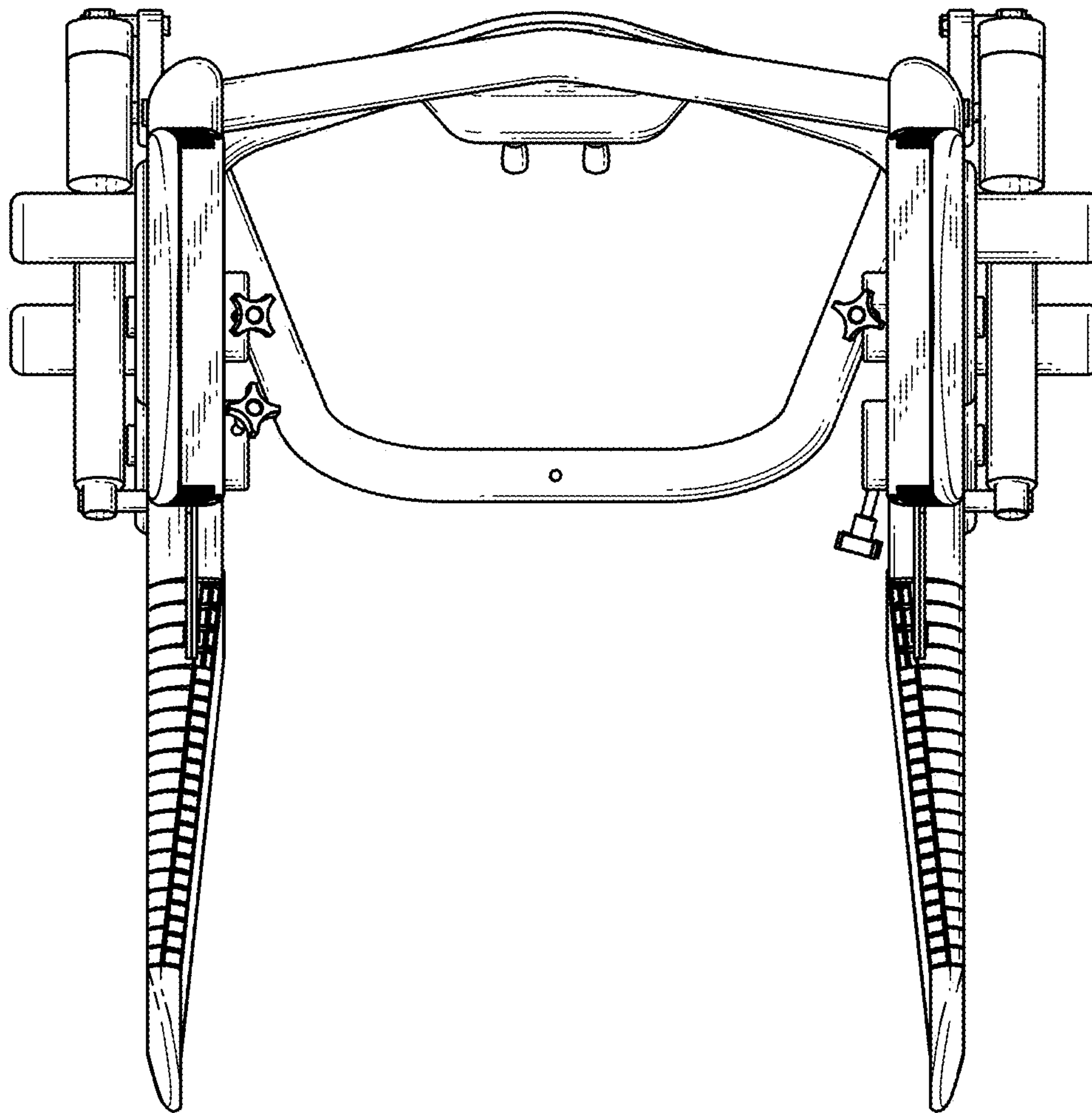


FIG. 6

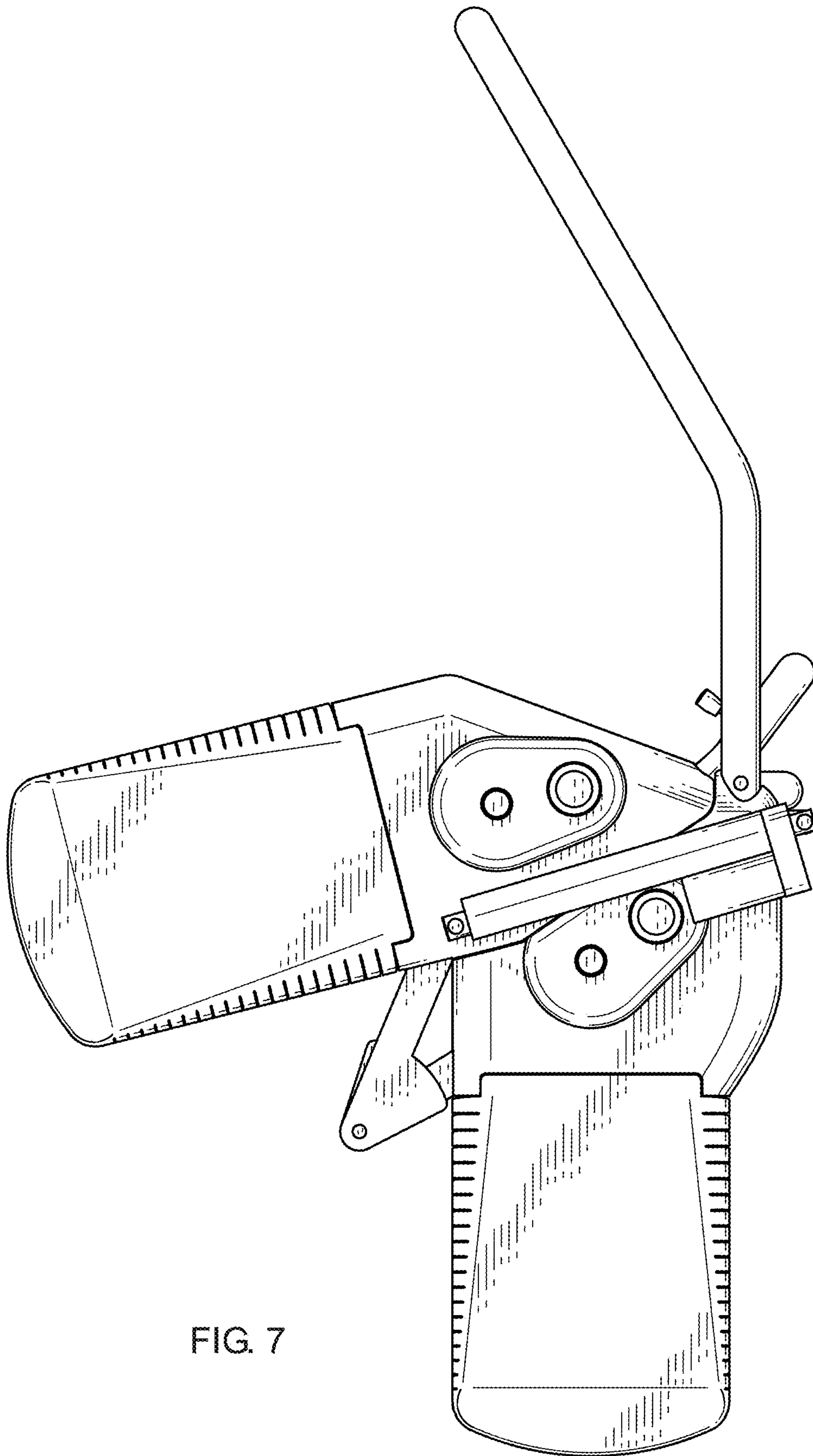


FIG. 7