

US00D876634S

(12) **United States Design Patent** (10) **Patent No.:** **US D876,634 S**  
**Tsuchiya et al.** (45) **Date of Patent:** **\*\* Feb. 25, 2020**

- (54) **BLOOD PRESSURE MEASURING APPARATUS** D341,658 S \* 11/1993 Kojima ..... D24/165  
6,315,734 B1 \* 11/2001 Nunome ..... A61B 5/02233  
600/490
- (71) Applicants: **Sintai Optical (Shenzhen) Co., Ltd.**, D530,012 S \* 10/2006 Eda ..... D24/165  
ShenZhen, Guandong Province (CN); D616,098 S \* 5/2010 Shibata ..... D24/165  
**Asia Optical Co., Inc.**, Taichung (TW) D802,139 S \* 11/2017 Tsuchiya ..... D24/165  
2010/0249615 A1 \* 9/2010 Kukita ..... A61B 5/02233  
600/490
- (72) Inventors: **Chikashi Tsuchiya**, Taichung (TW); 2012/0123281 A1 \* 5/2012 Ashida ..... A61B 5/02141  
**Gui-Feng Li**, Taichung (TW) 600/499

(73) Assignees: **SINTAI OPTICAL (SHENZHEN) CO., LTD.**, Shenzhen, Guangdong Province (CN); **ASIA OPTICAL CO., LTD.**, Taichung (TW)

(\*\*) Term: **15 Years**

(21) Appl. No.: **29/650,350**

(22) Filed: **Jun. 6, 2018**

(30) **Foreign Application Priority Data**

Dec. 7, 2017 (CN) ..... 2017 3 0618310  
Dec. 7, 2017 (TW) ..... 106307201

(51) **LOC (12) Cl.** ..... **24-02**

(52) **U.S. Cl.**  
USPC ..... **D24/165**

(58) **Field of Classification Search**  
USPC ..... D24/107, 164, 165-168, 186, 187;  
D10/75, 70, 98  
CPC ..... A61B 5/0402; A61B 5/0404; A61B 5/021;  
A61B 5/024; A61B 5/02438; A61B  
5/681; A61B 2560/0205; A61B  
2560/0462

See application file for complete search history.

(56) **References Cited**

**U.S. PATENT DOCUMENTS**

D244,235 S \* 5/1977 Lichowsky ..... D24/165  
D298,167 S \* 10/1988 Schaffer ..... D24/165

\* cited by examiner

*Primary Examiner* — Anhdao Doan

(74) *Attorney, Agent, or Firm* — McClure, Qualey & Rodack, LLP

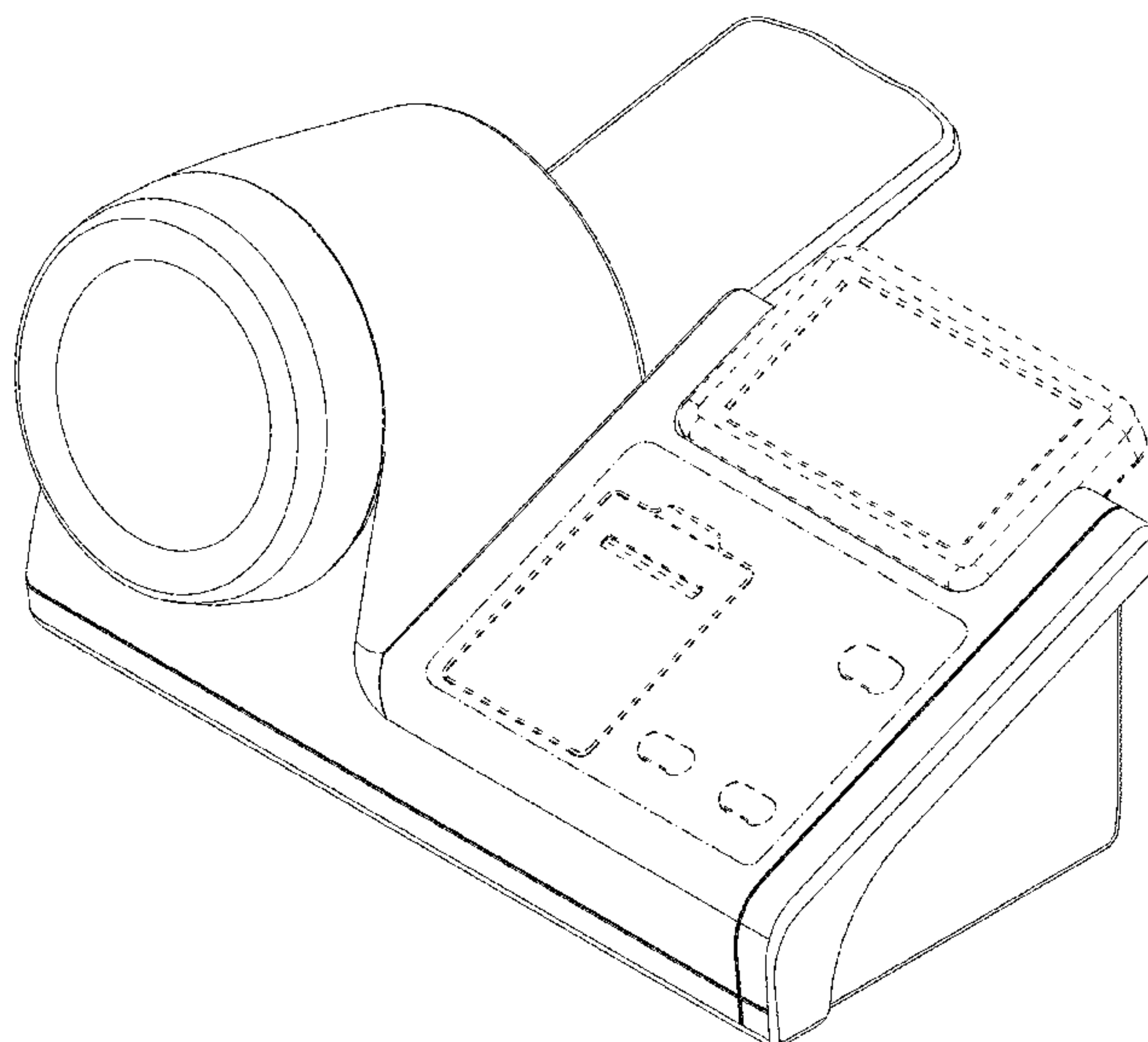
(57) **CLAIM**

The ornamental design for a blood pressure measuring apparatus, as shown and described.

**DESCRIPTION**

FIG. 1 is a perspective view of a blood pressure measuring apparatus in accordance with the design;  
FIG. 2 is a front view thereof;  
FIG. 3 is a rear view thereof;  
FIG. 4 is a left side view thereof;  
FIG. 5 is a right side view thereof;  
FIG. 6 is a top plan view thereof;  
FIG. 7 is a bottom plan view thereof; and,  
FIG. 8 is another perspective view thereof.  
The broken lines depict portions of the blood pressure measuring apparatus in which the design is embodied that form no part of the claimed design, and the dash-dot-dash lines represent the bounds of the claim and form no part of the claimed design.

**1 Claim, 8 Drawing Sheets**



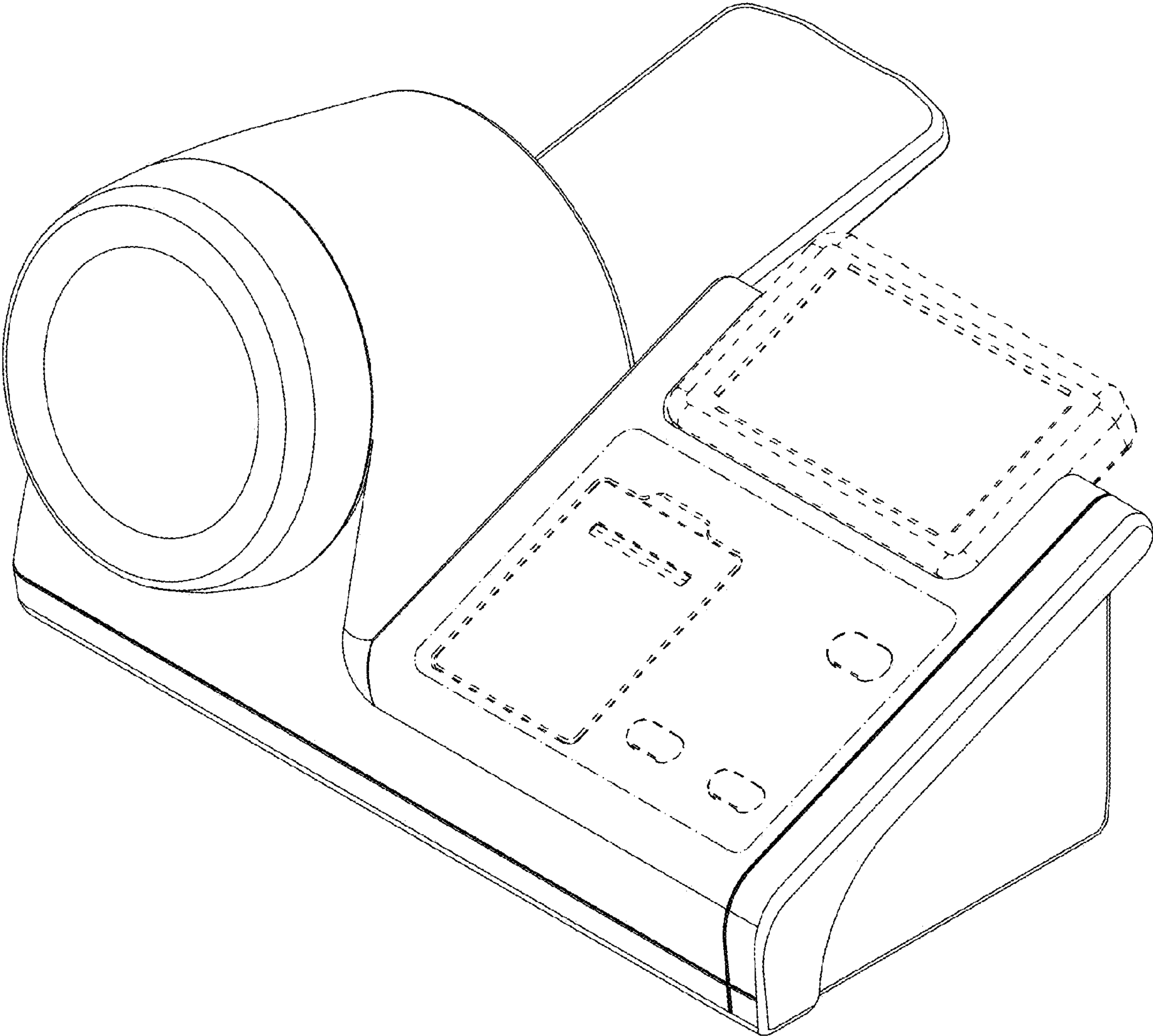


Fig. 1

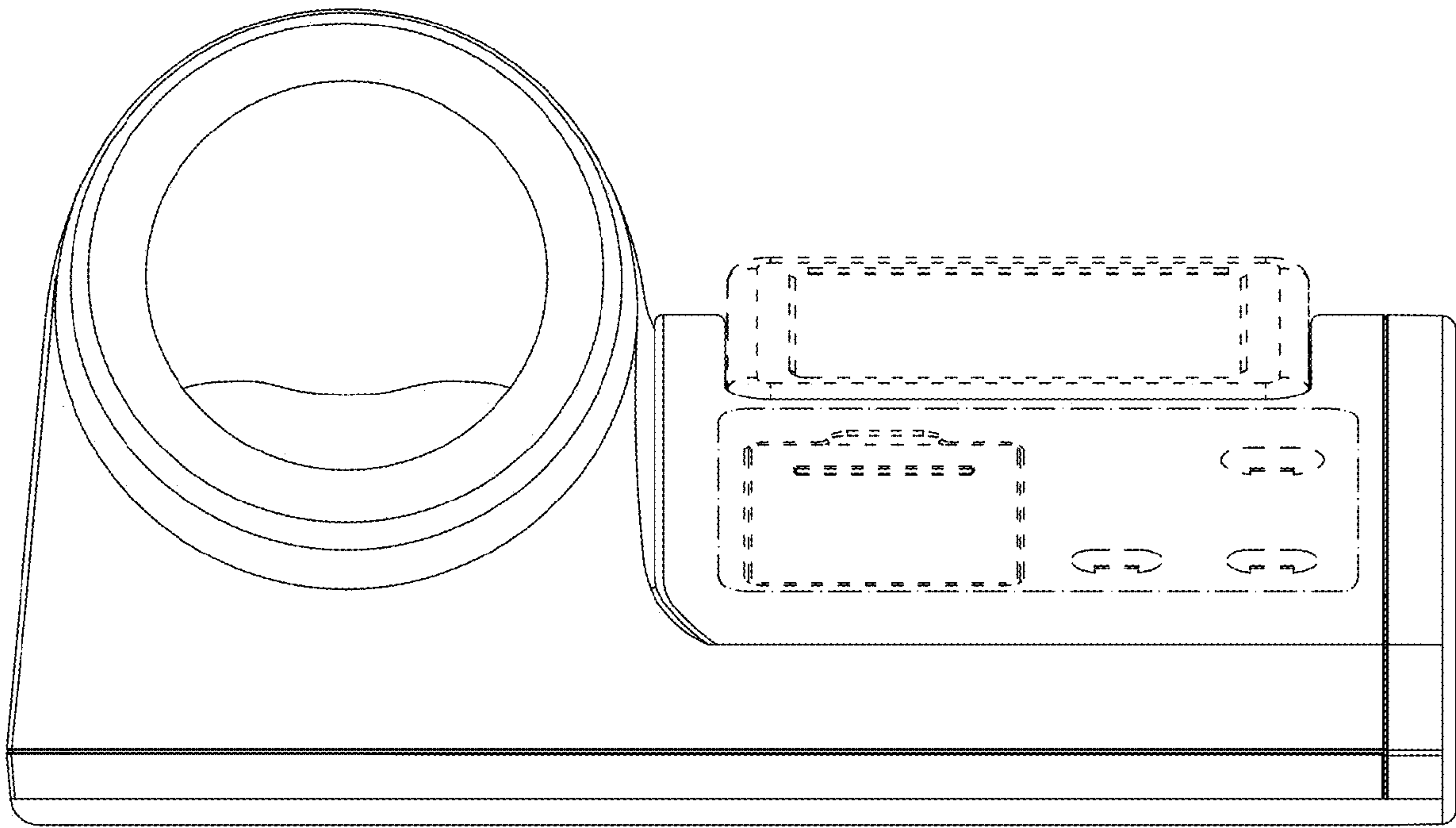


Fig. 2

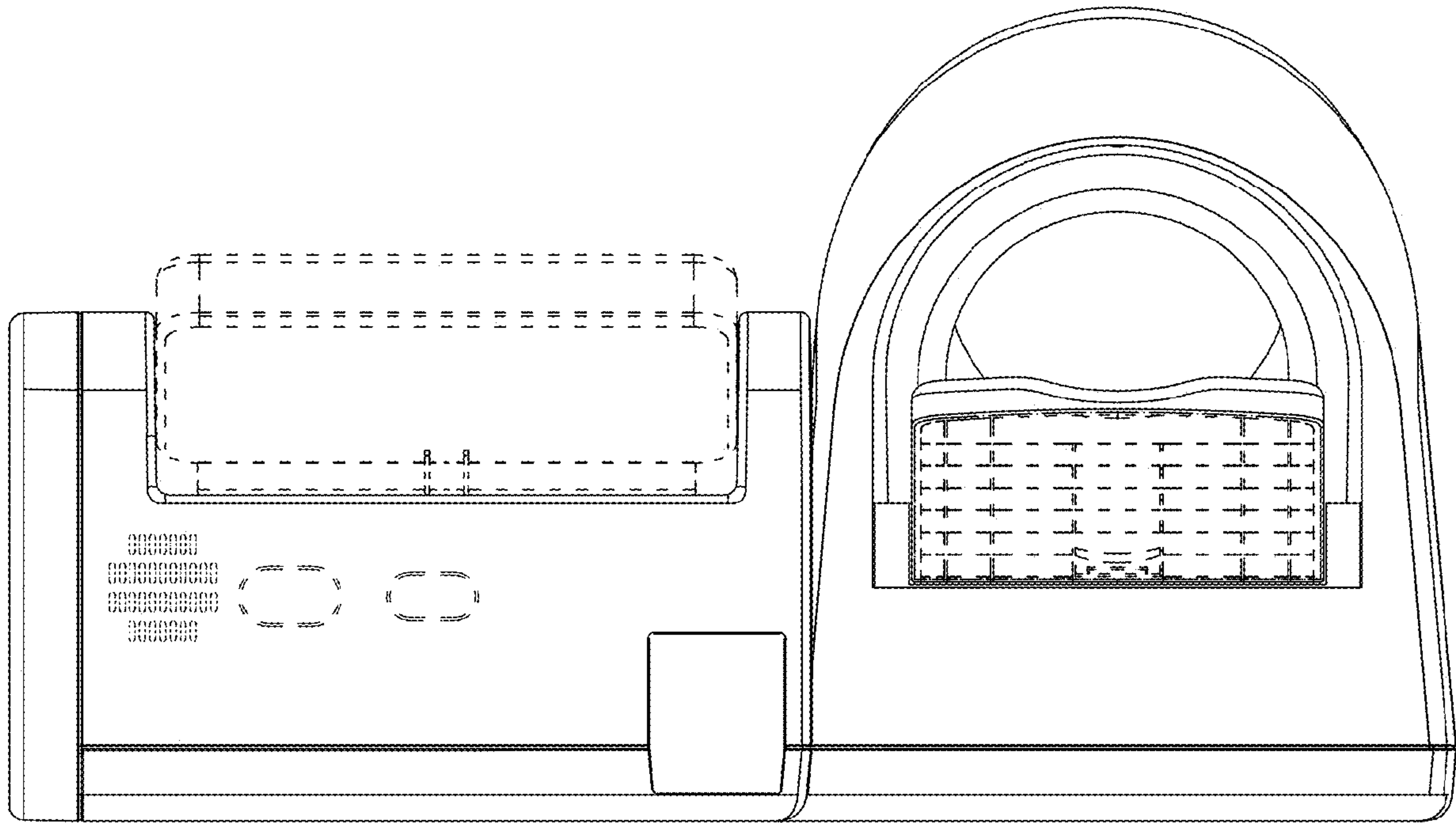


Fig. 3

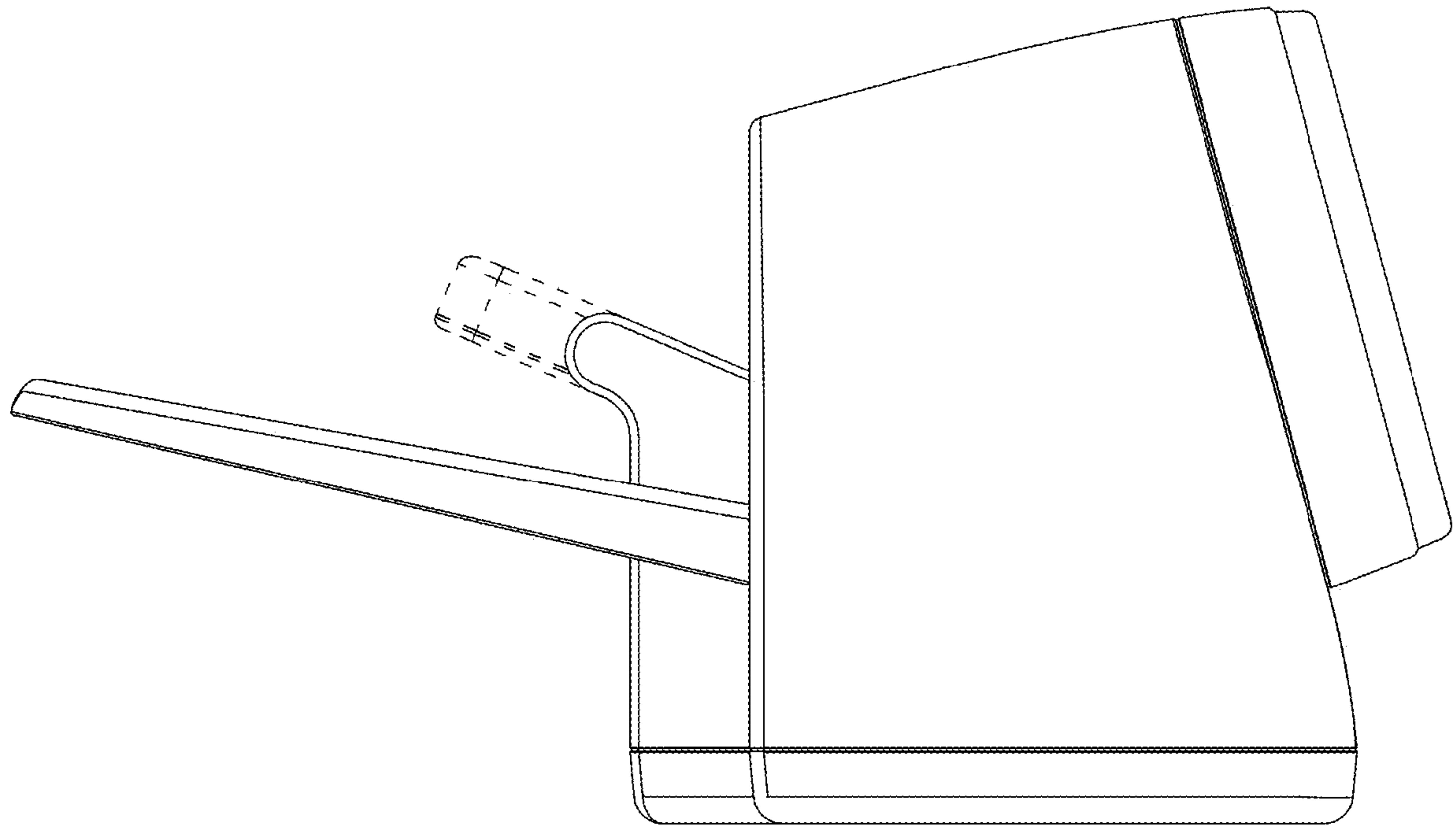


Fig. 4



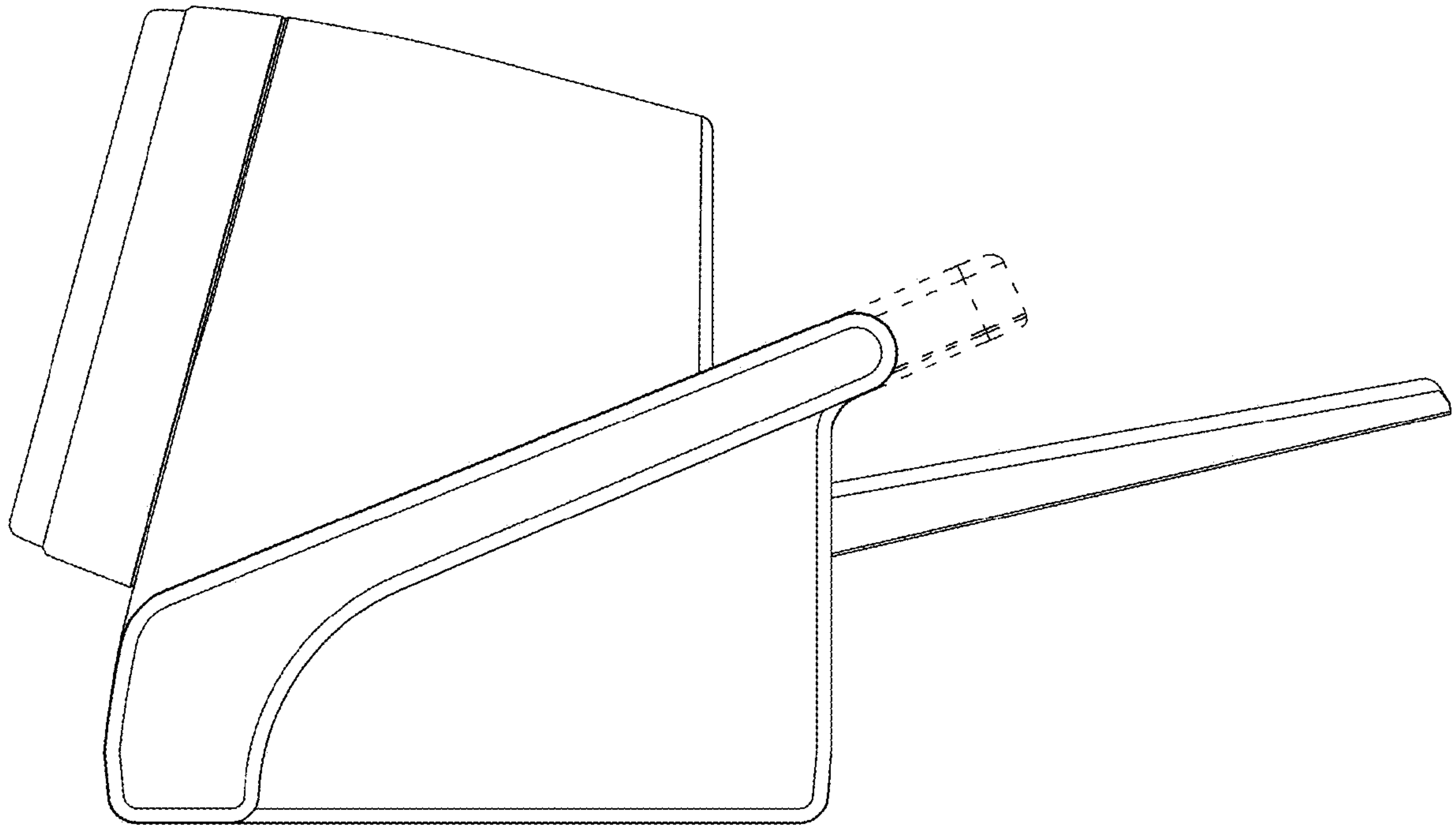


Fig. 5

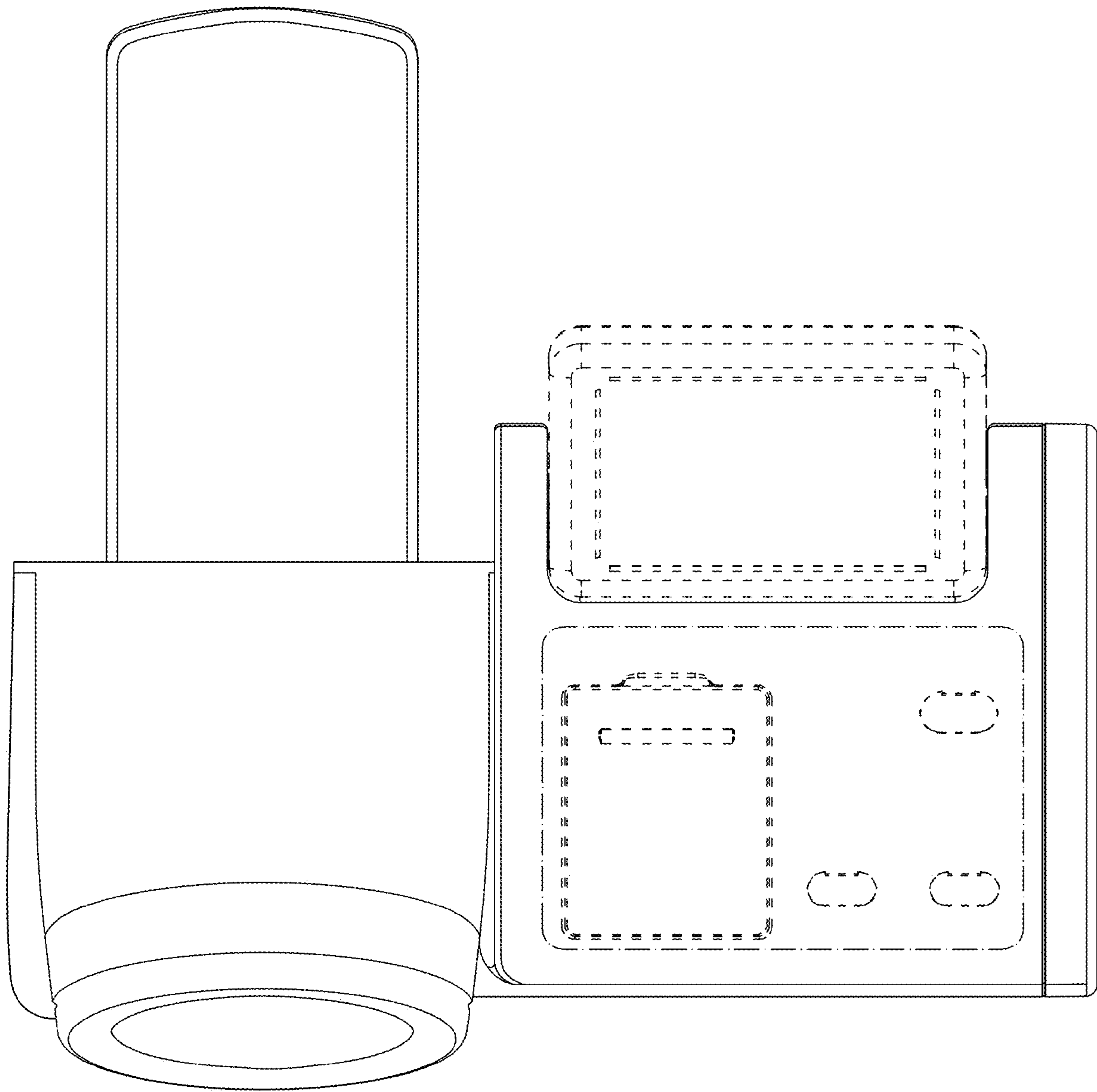


Fig. 6

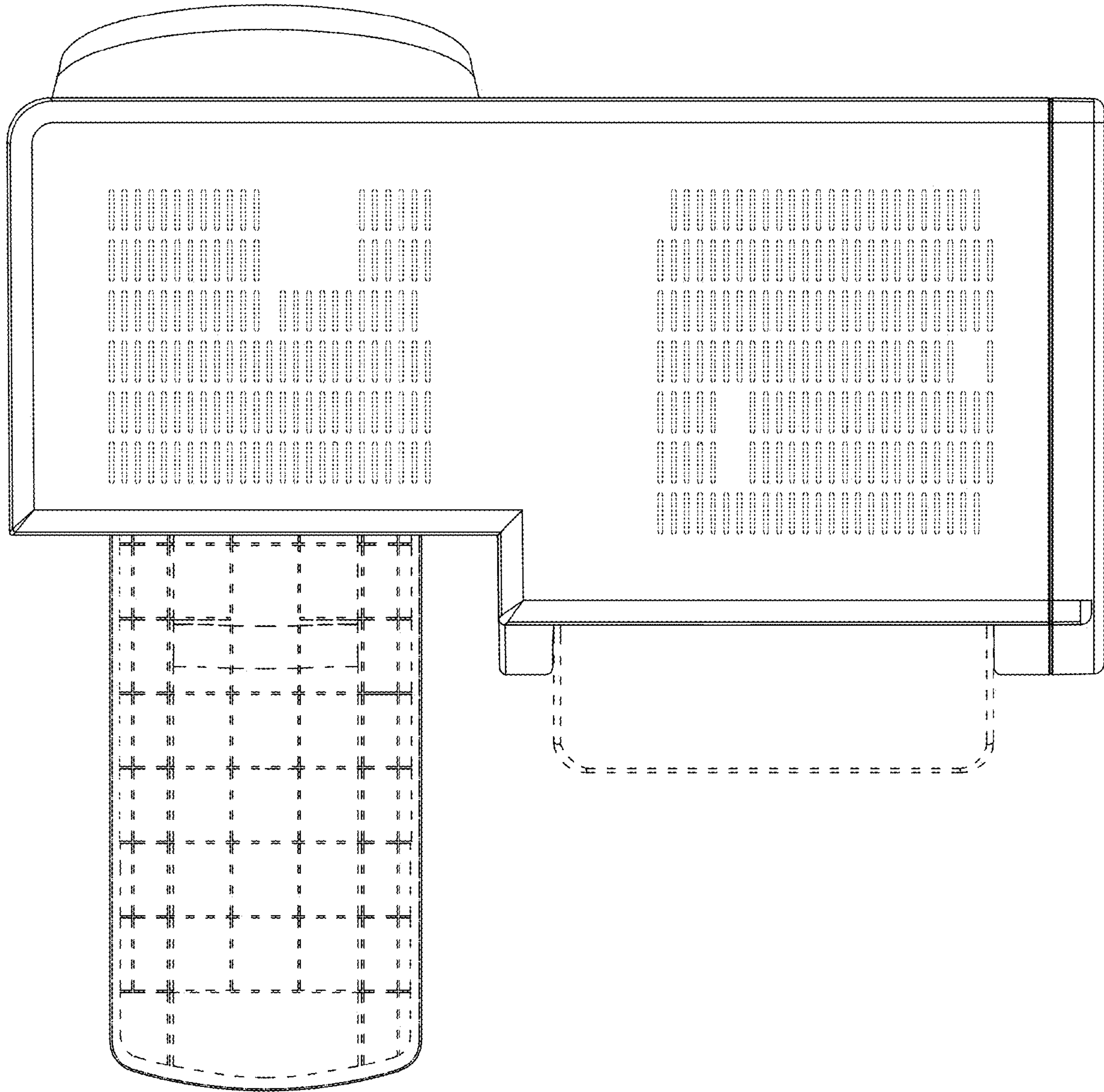


Fig. 7



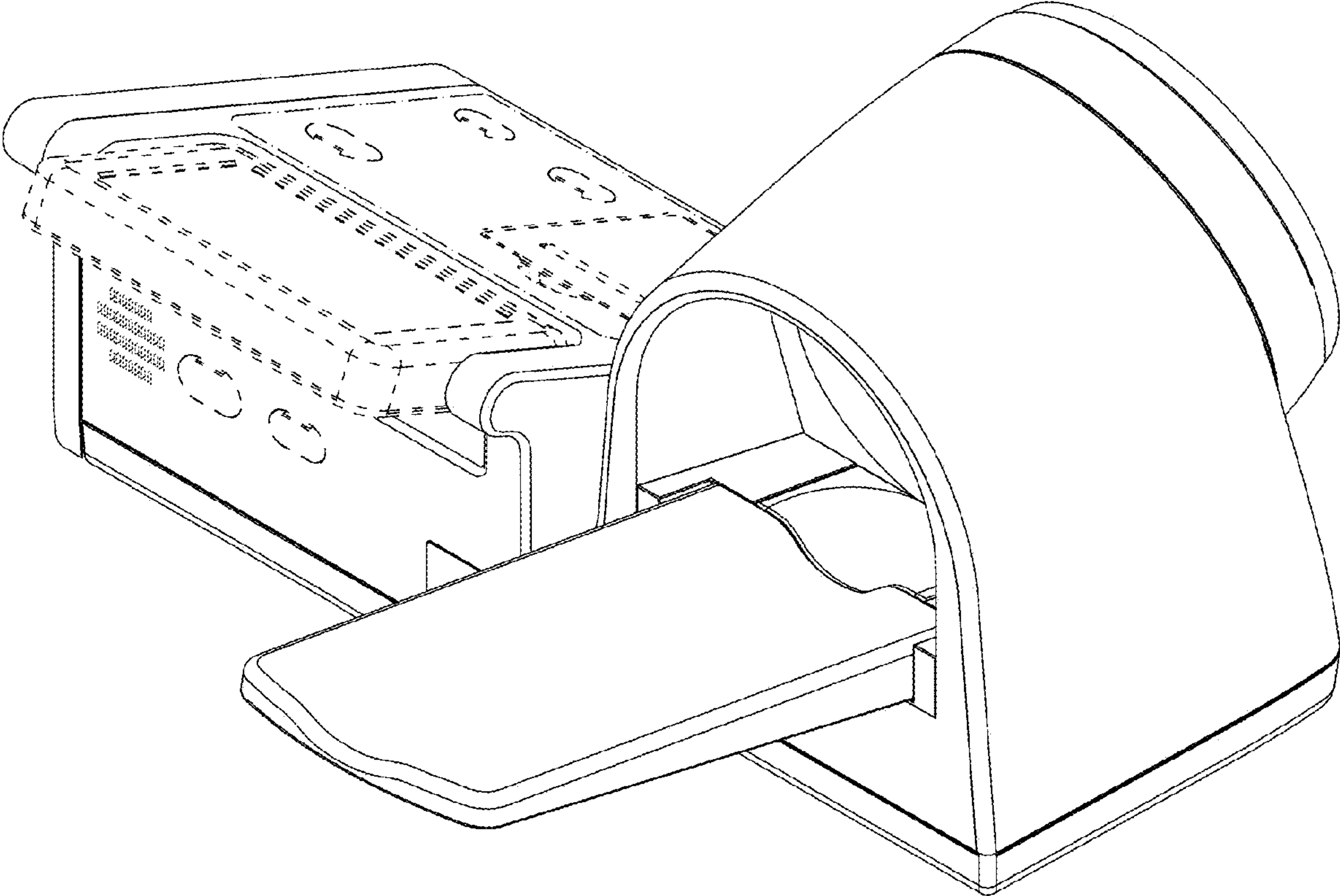


Fig. 8