



US00D876633S

(12) **United States Design Patent**  
**Moon et al.**

(10) **Patent No.:** **US D876,633 S**

(45) **Date of Patent:** **\*\* Feb. 25, 2020**

(54) **ULTRASOUND DIAGNOSTIC APPARATUS**

(56) **References Cited**

(71) Applicant: **SAMSUNG MEDISON CO., LTD.**,  
Hongcheon-gun (KR)

U.S. PATENT DOCUMENTS

(72) Inventors: **Junpil Moon**, Seoul (KR); **Sungwon Lim**, Paju-si (KR); **Kilsu Ha**, Yongin-si (KR); **Ui Kim**, Seoul (KR)

D474,277	S	*	5/2003	Juni	.....	D24/158
D646,393	S	*	10/2011	Juliana	.....	D24/186
D654,596	S	*	2/2012	Lebas	.....	D24/160
2011/0001829	A1	*	1/2011	Lai	.....	A61B 6/0478
						348/162
2018/0085271	A1	*	3/2018	Lim	.....	A61G 15/02

(73) Assignee: **Samsung Medison Co., Ltd.**,  
Hongcheon-gun (KR)

\* cited by examiner

(\*\*) Term: **15 Years**

*Primary Examiner* — Anhdao Doan

(21) Appl. No.: **29/661,304**

(74) *Attorney, Agent, or Firm* — Ladas & Parry LLP

(22) Filed: **Aug. 27, 2018**

(57) **CLAIM**

We claim the ornamental design for an ultrasound diagnostic apparatus, as shown and described.

(30) **Foreign Application Priority Data**

**DESCRIPTION**

Aug. 16, 2018 (KR) ..... 30-2018-0037896

(51) **LOC (12) Cl.** ..... **24-01**

(52) **U.S. Cl.**  
USPC ..... **D24/160; D24/186**

(58) **Field of Classification Search**  
USPC ..... D24/158-161, 185, 186, 107, 152, 176,  
D24/177

CPC ... A61B 6/4405; A61B 6/4411; A61B 6/4435;  
A61B 6/4441; A61B 6/4447; A61B  
8/4405; A61B 8/4411; A61B 8/4427;  
A61B 8/462; A61B 8/0437; A61B 8/0883  
See application file for complete search history.

FIG. 1 is the front perspective view of an ultrasound diagnostic apparatus showing our new design;  
FIG. 2 is the front view thereof;  
FIG. 3 is the rear view thereof;  
FIG. 4 is the left-side view thereof;  
FIG. 5 is the right-side view thereof;  
FIG. 6 is the top view thereof; and,  
FIG. 7 is the bottom view thereof.

The broken lines illustrating portions of an ultrasound diagnostic apparatus form no part of the claimed design.

**1 Claim, 7 Drawing Sheets**

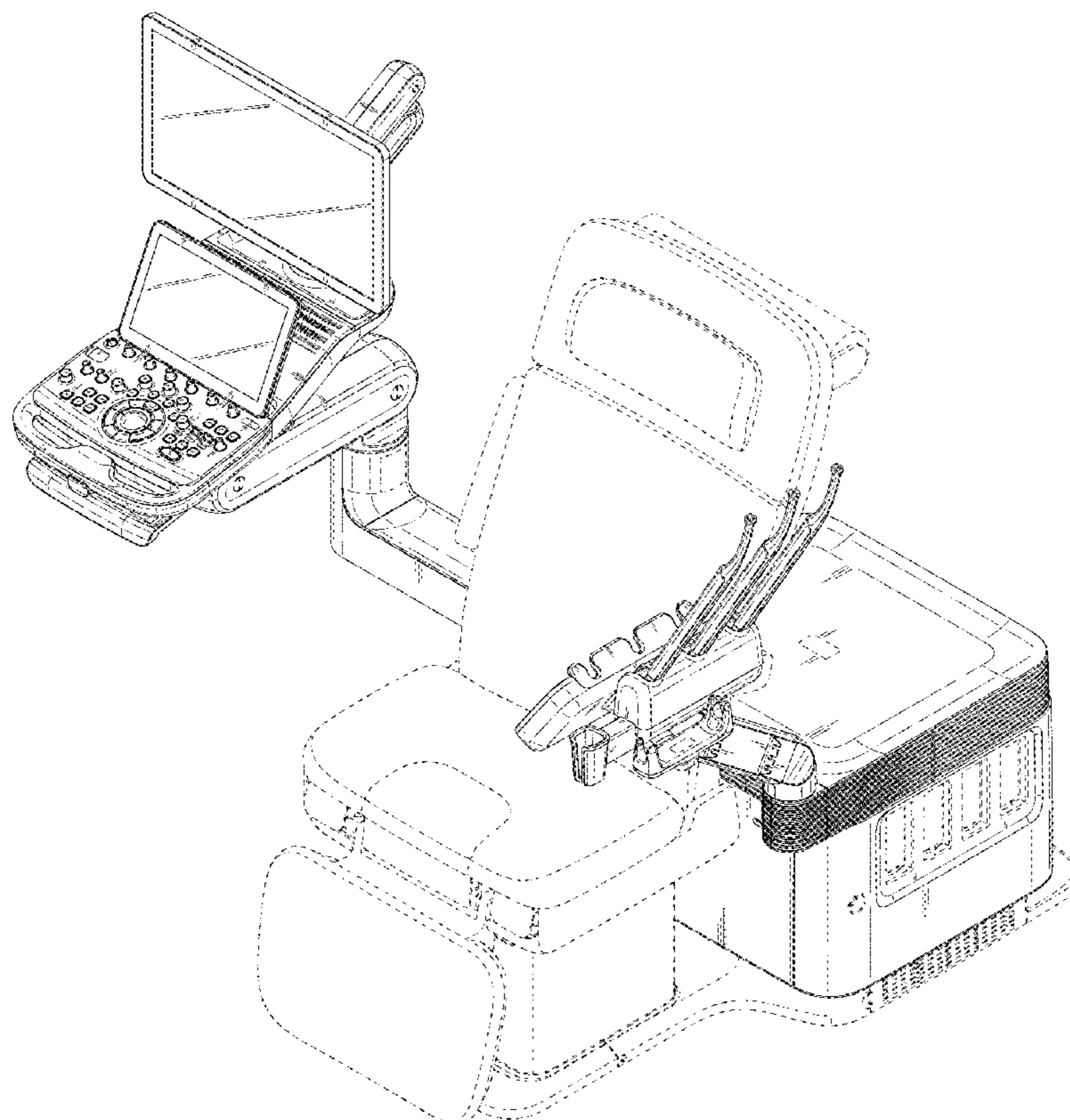


FIG. 1

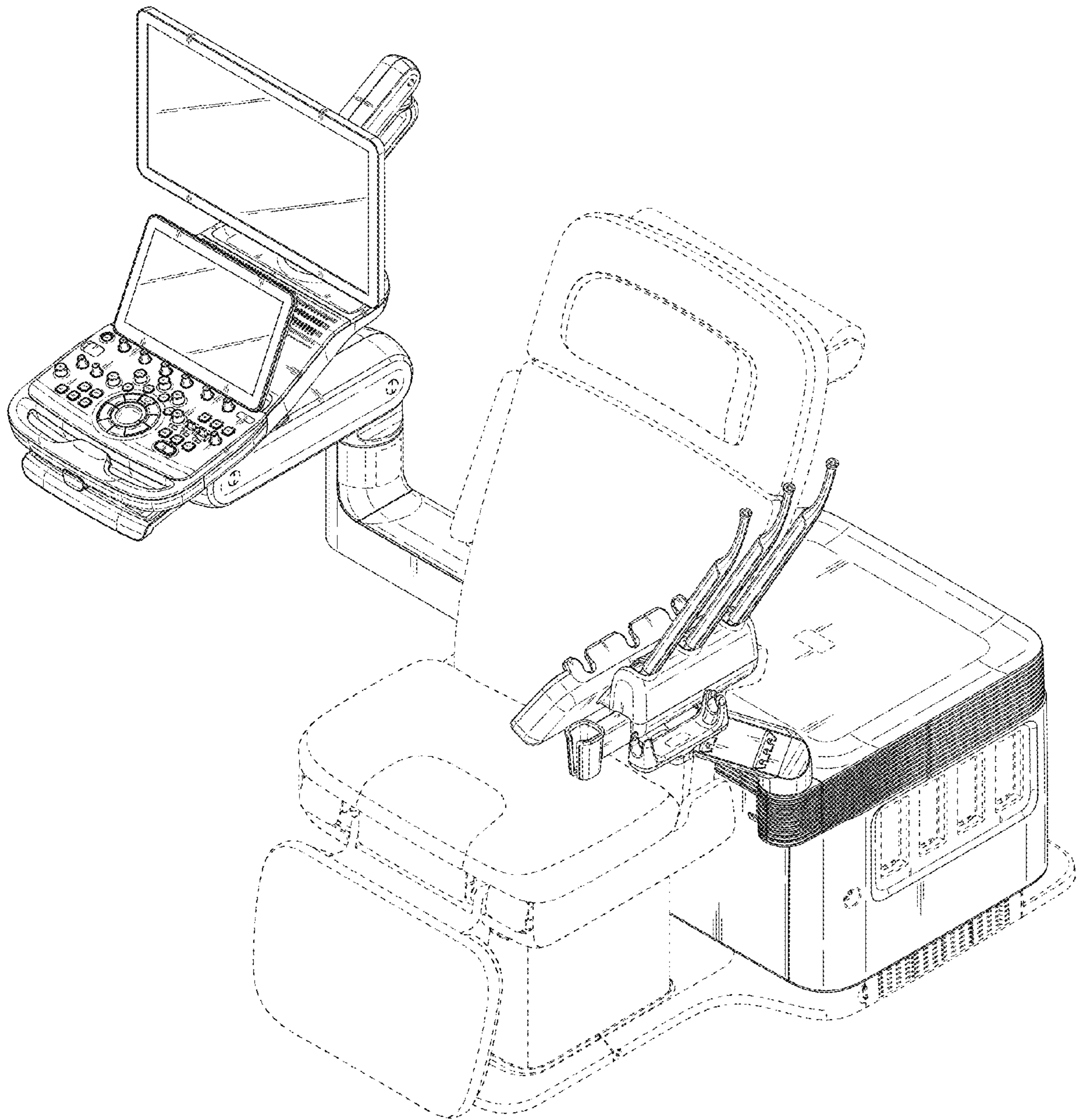


FIG. 2

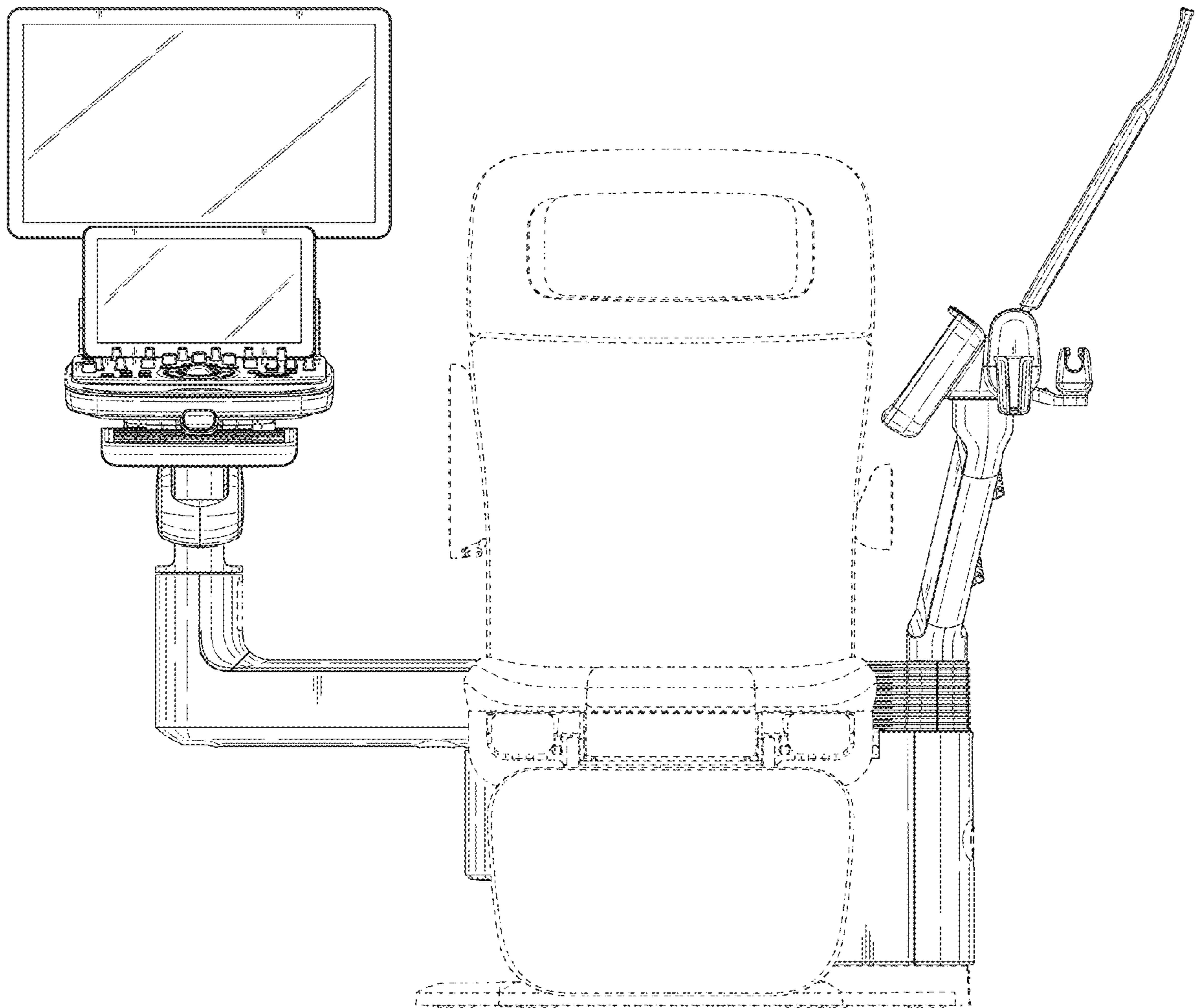


FIG. 3

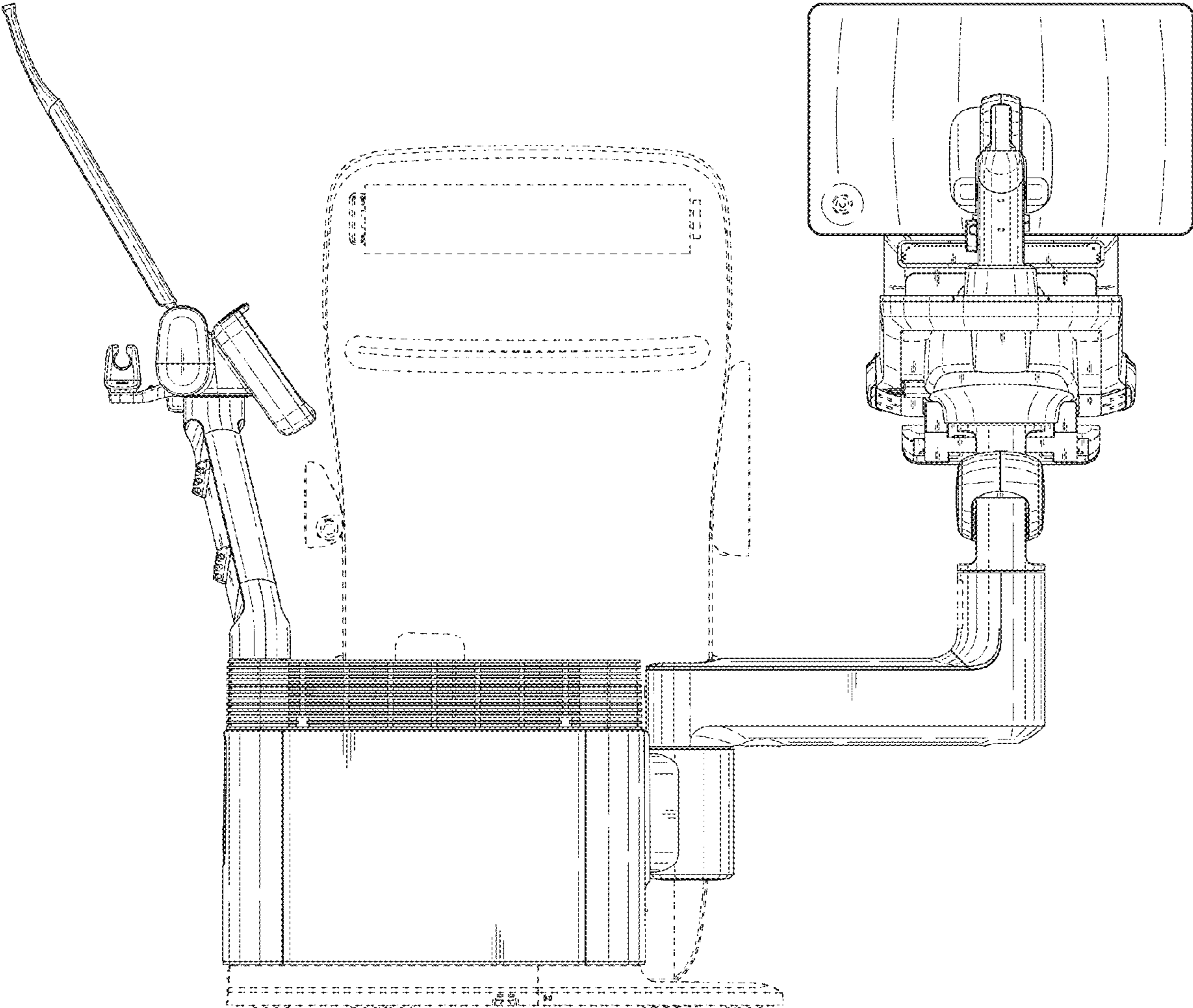


FIG. 4

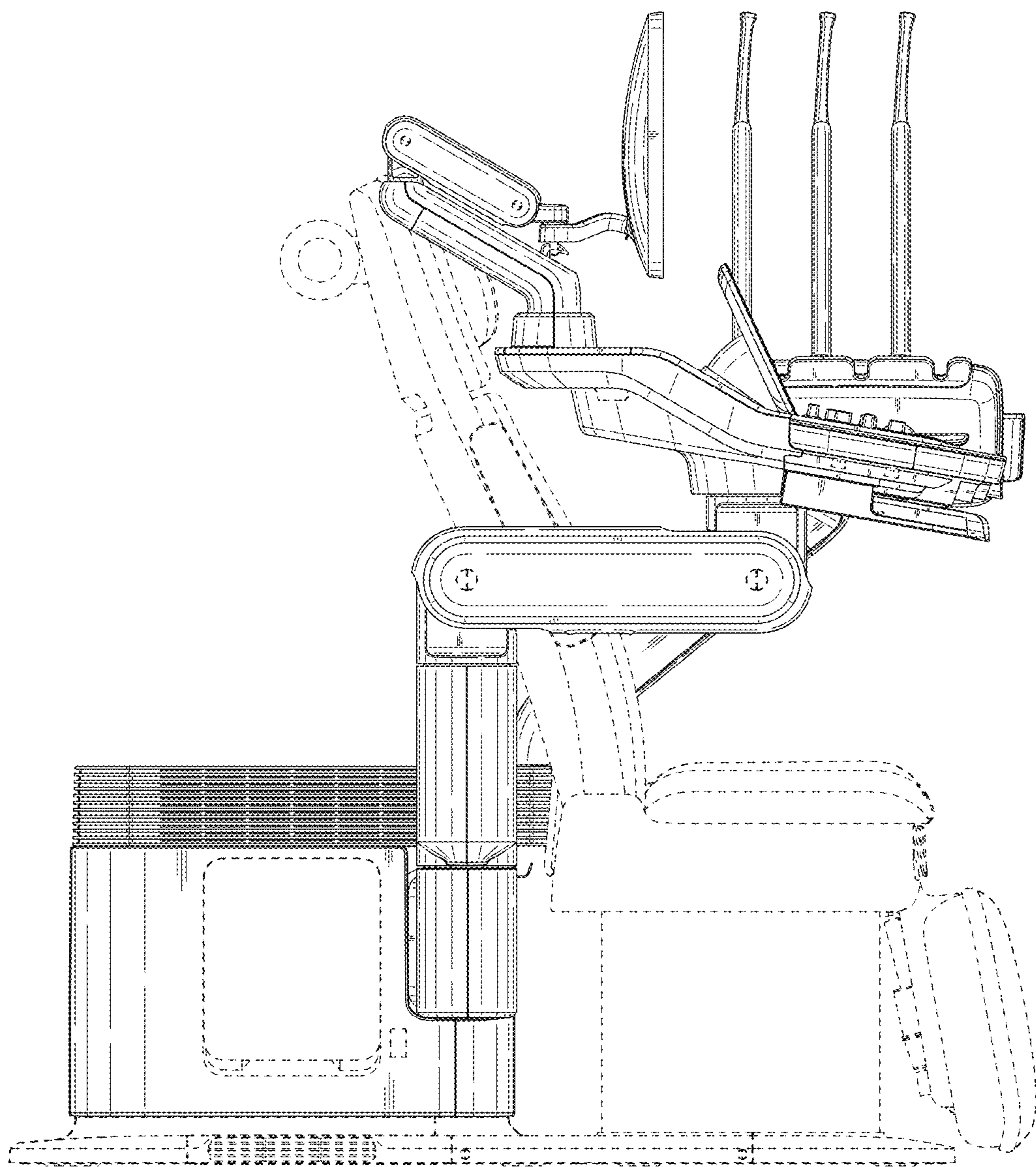


FIG. 5

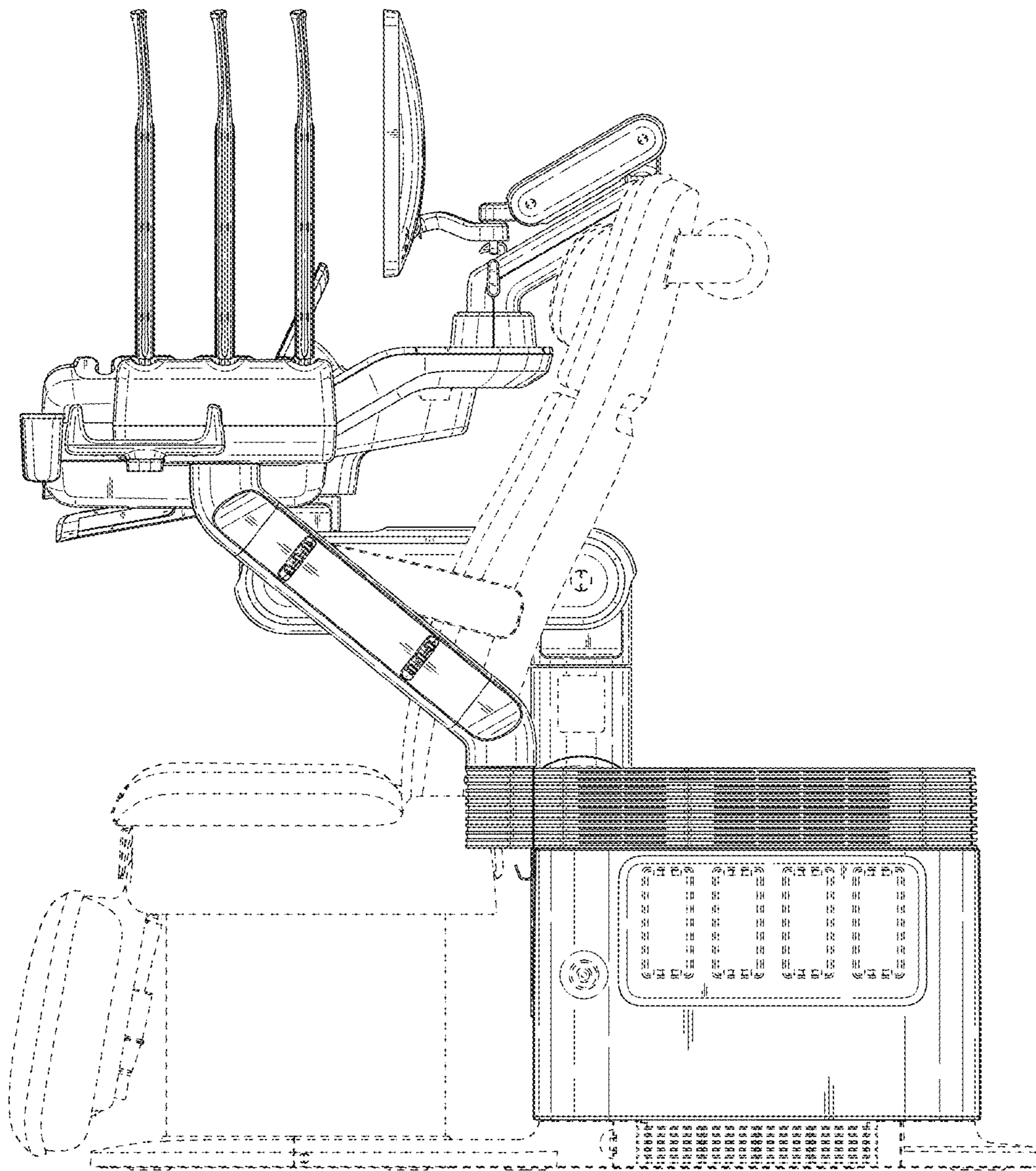


FIG. 6

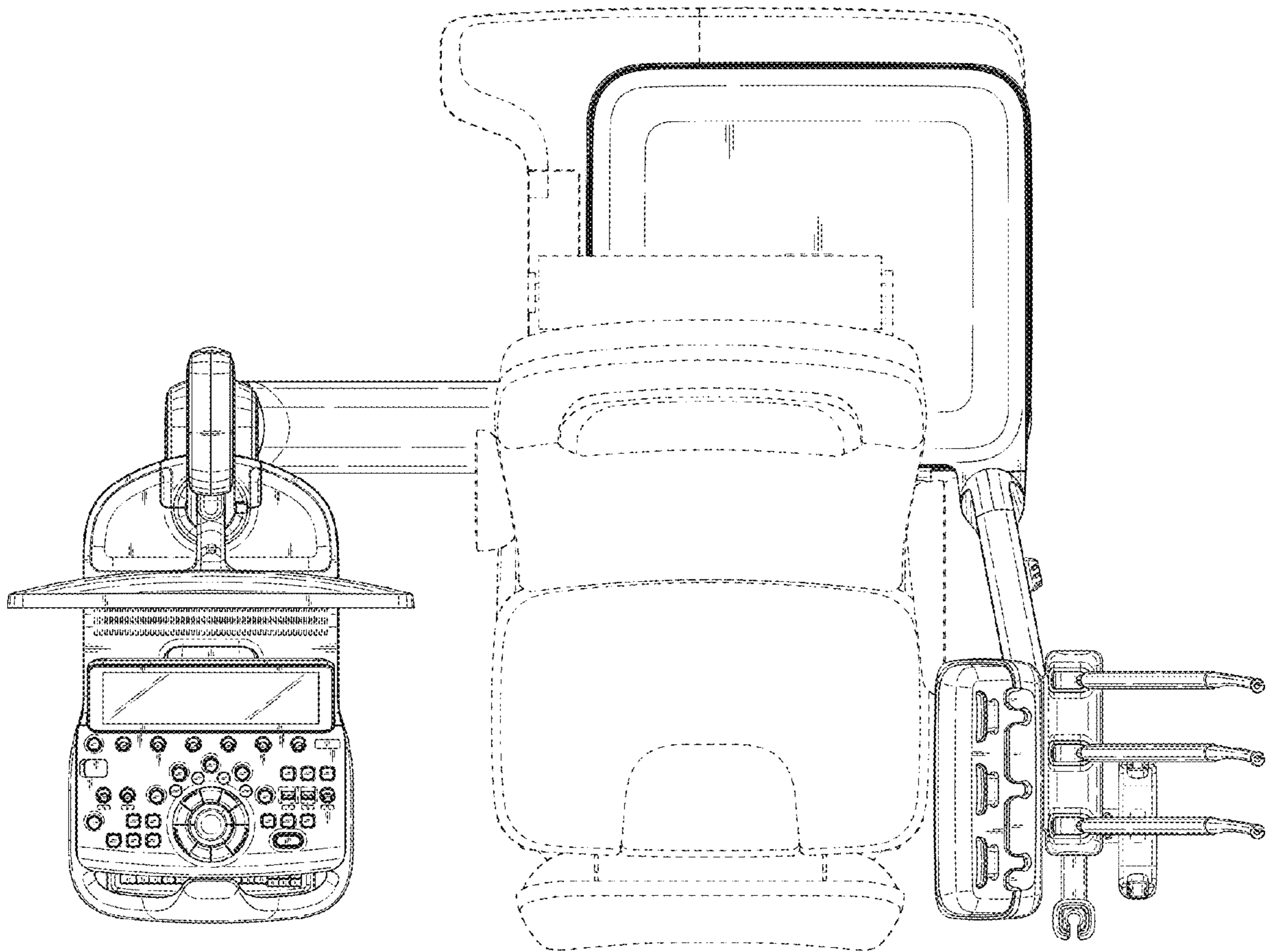


FIG. 7

