



US00D876632S

(12) **United States Design Patent**
Henderson et al.

(10) **Patent No.:** **US D876,632 S**

(45) **Date of Patent:** **** Feb. 25, 2020**

- (54) **TROLLEY**
- (71) Applicant: **EDAN INSTRUMENTS, INC.**,
Shenzhen (CN)
- (72) Inventors: **Richard Henderson**, Sunnyvale, CA
(US); **Wuchao Mao**, Shenzhen (CN)
- (73) Assignee: **Edan Instruments, Inc.**, Shenzhen
(CN)
- (**) Term: **15 Years**
- (21) Appl. No.: **29/667,308**
- (22) Filed: **Oct. 19, 2018**
- (51) **LOC (12) Cl.** **24-01**
- (52) **U.S. Cl.**
USPC **D24/158; D24/185**
- (58) **Field of Classification Search**
USPC D24/158-161, 185, 186, 107, 152, 176,
D24/177
CPC ... A61B 6/4405; A61B 6/4411; A61B 6/4435;
A61B 6/4441; A61B 6/4447; A61B
8/4405; A61B 8/4411; A61B 8/4427;
A61B 8/462; A61B 8/0437; A61B 8/0883
See application file for complete search history.

- D712,042 S * 8/2014 Chung D24/185
- D712,540 S * 9/2014 Hansen D24/158
- D777,927 S * 1/2017 Choudhary D24/167
- D796,679 S * 9/2017 Dekock D24/158
- D804,671 S * 12/2017 Yanase D24/160
- D824,521 S * 7/2018 Adams D24/158
- D827,139 S * 8/2018 Henderson D24/160
- 2014/0117635 A1* 5/2014 Ninomiya A61B 8/4405
280/35

* cited by examiner

Primary Examiner — Anhdao Doan

(74) *Attorney, Agent, or Firm* — Steven M. Koehler;
Westman, Champlin & Koehler, P.A.

(57) **CLAIM**

The ornamental designs for a “trolley”, as shown and described.

DESCRIPTION

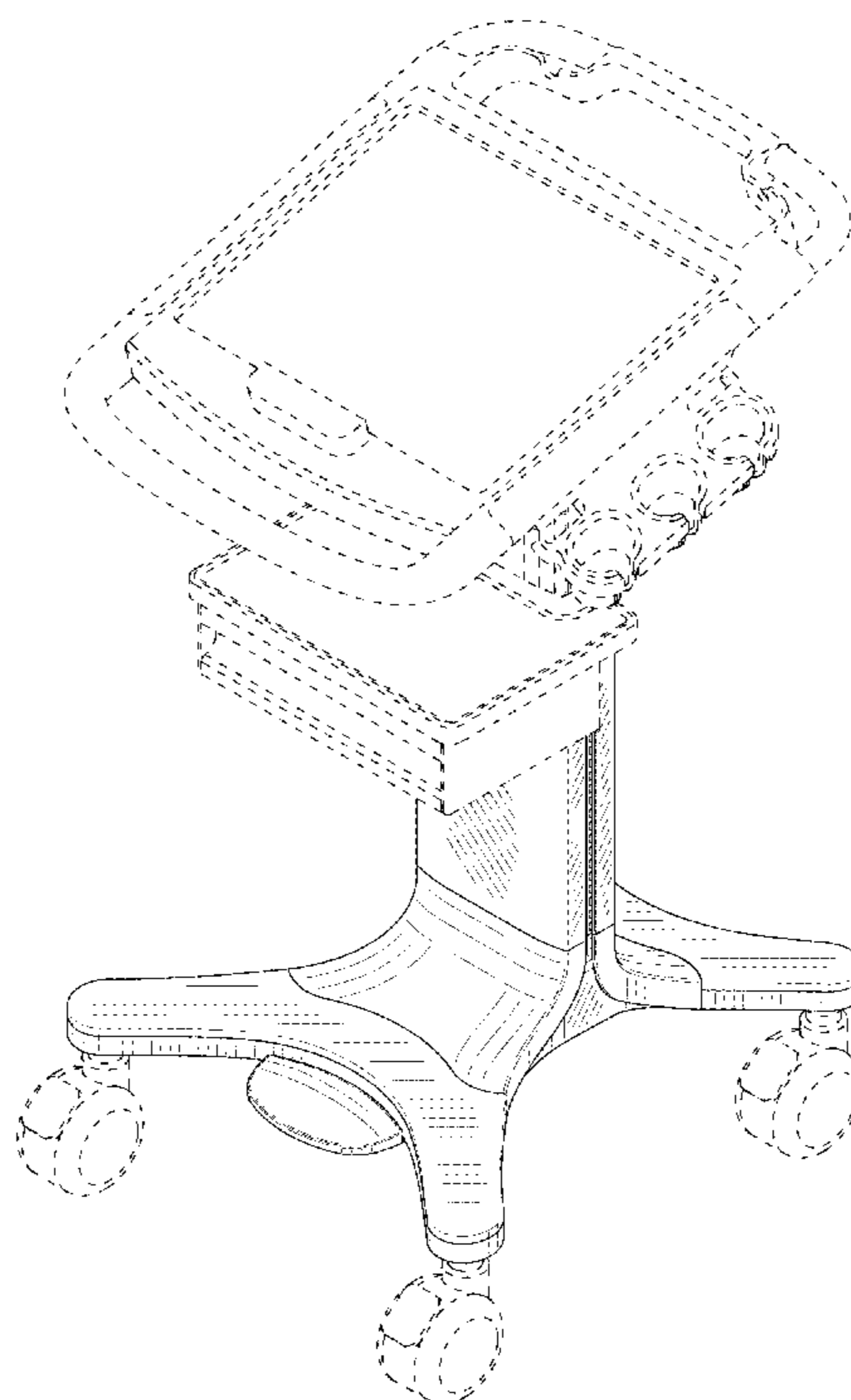
FIG. 1 is a perspective view of a trolley showing the applicant’s design;
 FIG. 2 is a front elevation view thereof;
 FIG. 3 is a rear elevation view thereof;
 FIG. 4 is a right side elevation view thereof;
 FIG. 5 is a left side elevation view thereof;
 FIG. 6 is a top plan view thereof; and,
 FIG. 7 is a bottom plan view thereof.
 The broken lines of FIGS. 1-7 are included for the purpose of illustrating environmental structure and form no part of the claimed design.

1 Claim, 7 Drawing Sheets

(56) **References Cited**

U.S. PATENT DOCUMENTS

- D613,866 S * 4/2010 Tanaka D24/185
- D657,470 S * 4/2012 Schon D24/186
- 8,286,977 B2 * 10/2012 Butler A61G 12/001
280/47.34
- D695,898 S * 12/2013 Chung D24/158



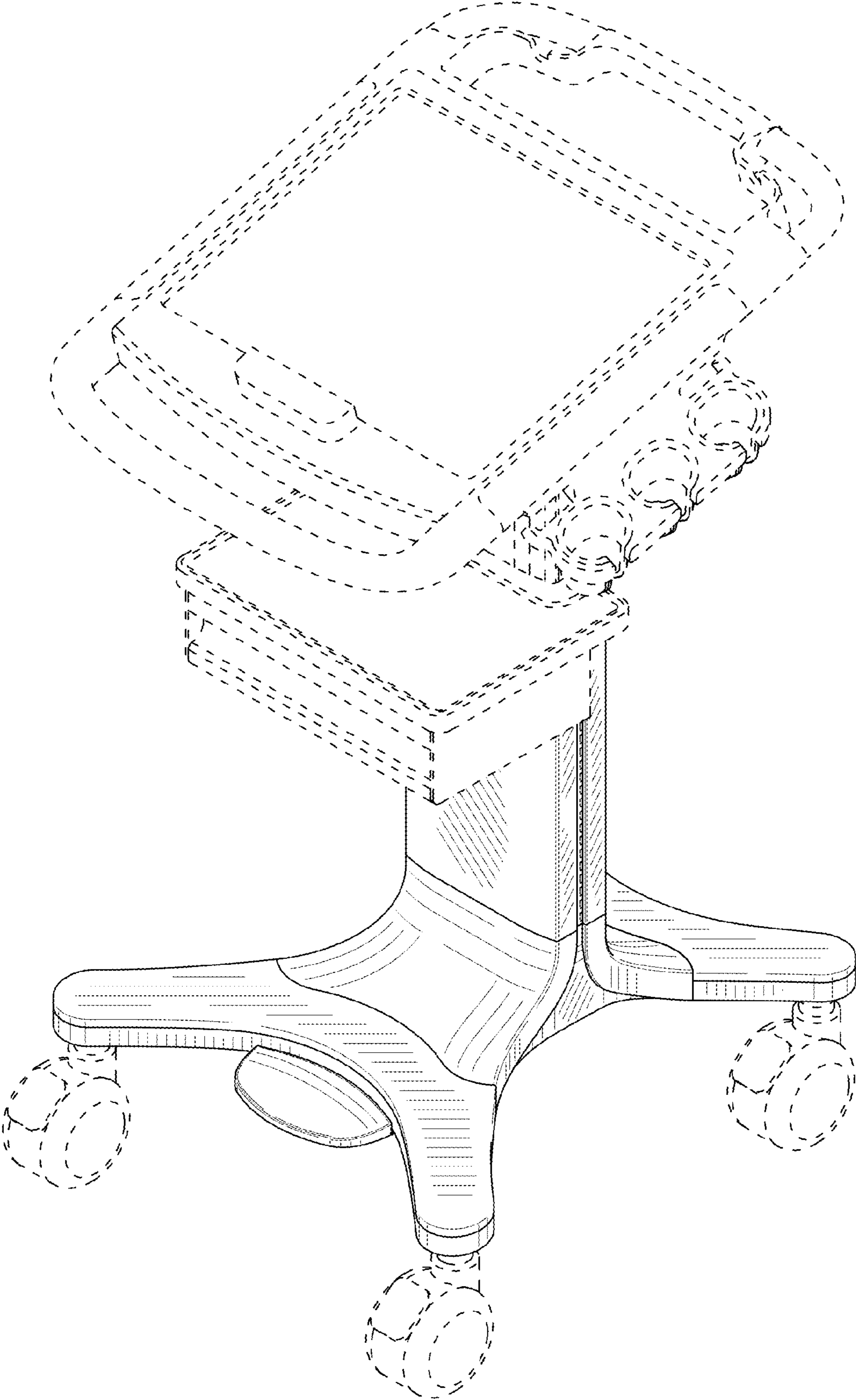


FIG. 1

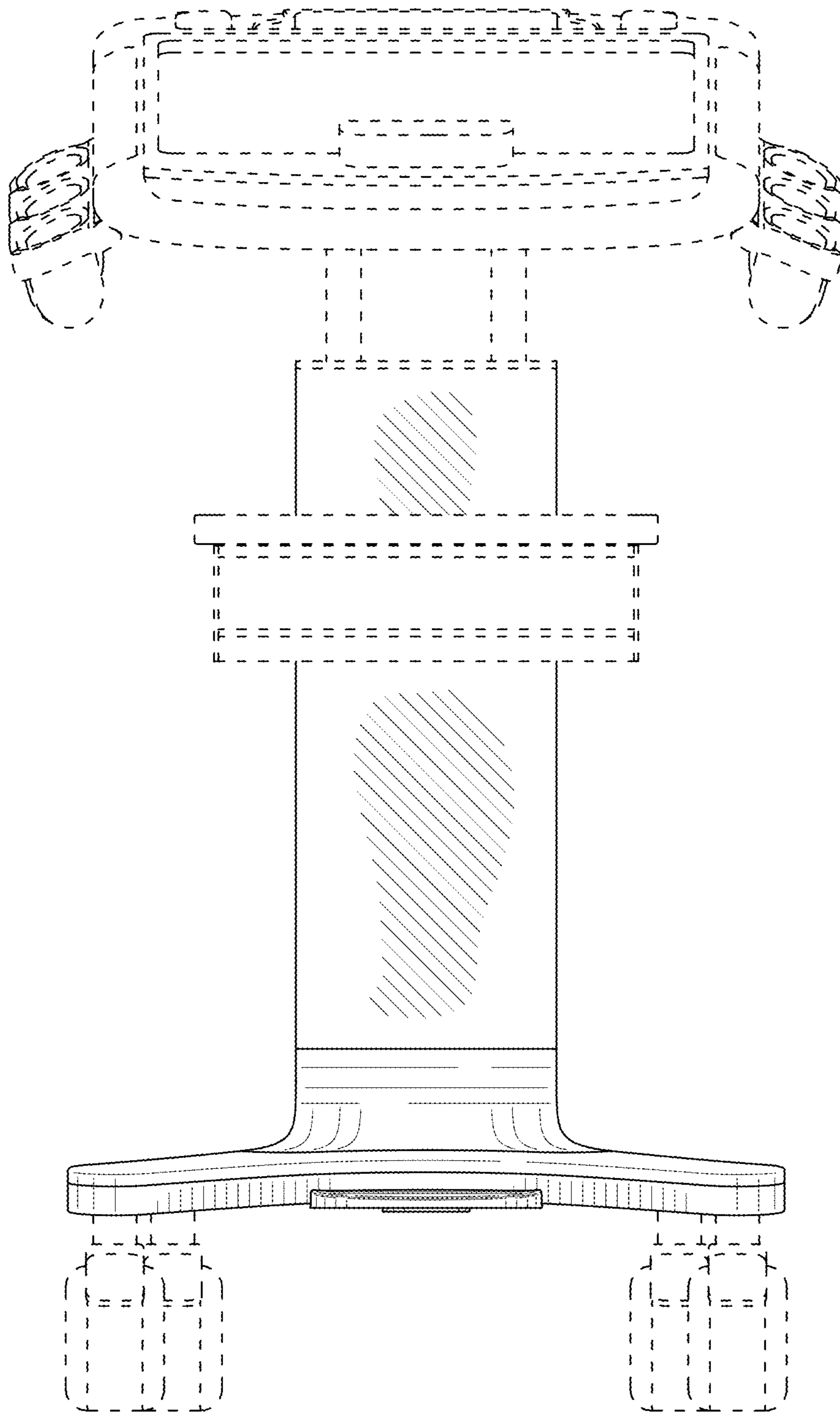


FIG. 2

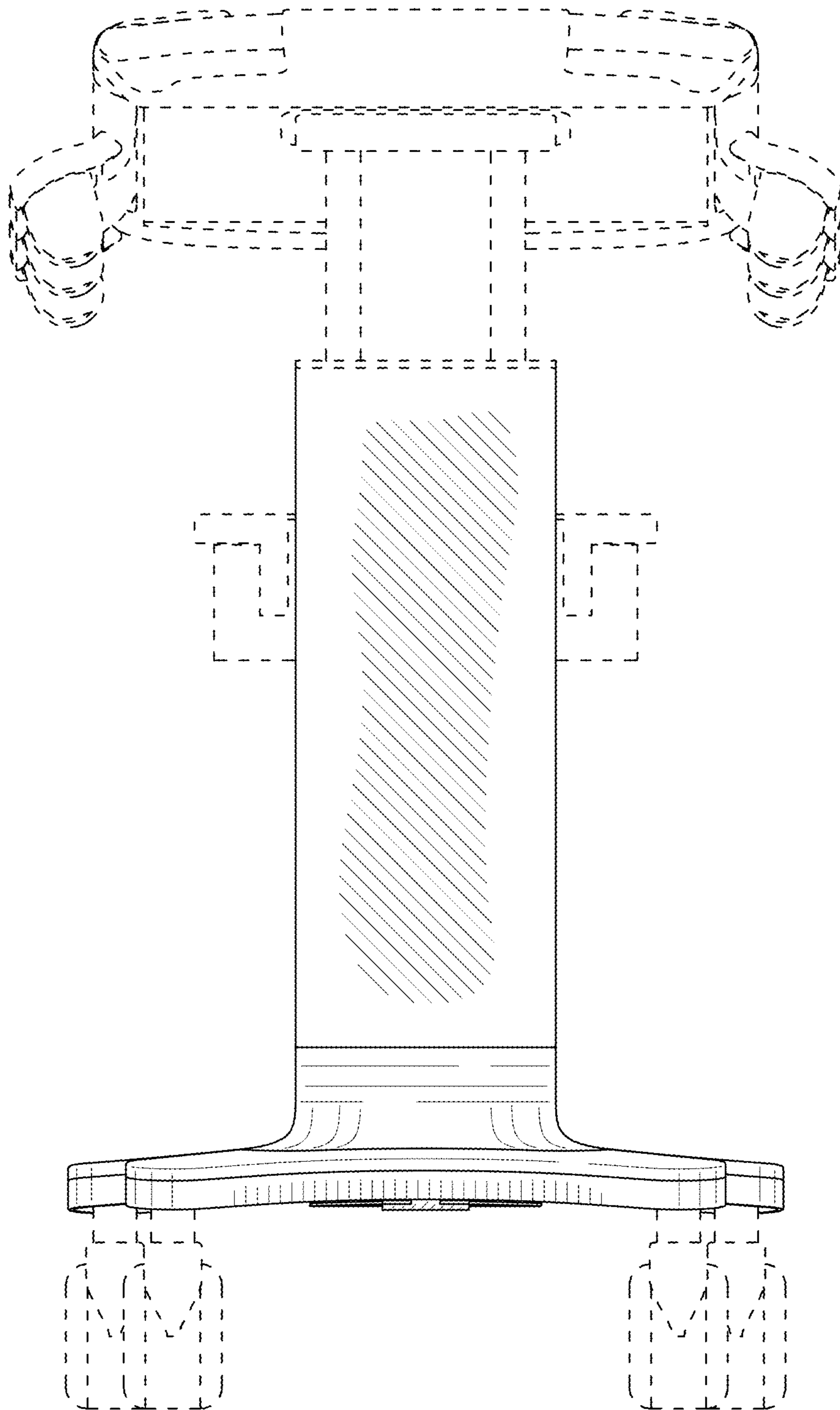


FIG. 3

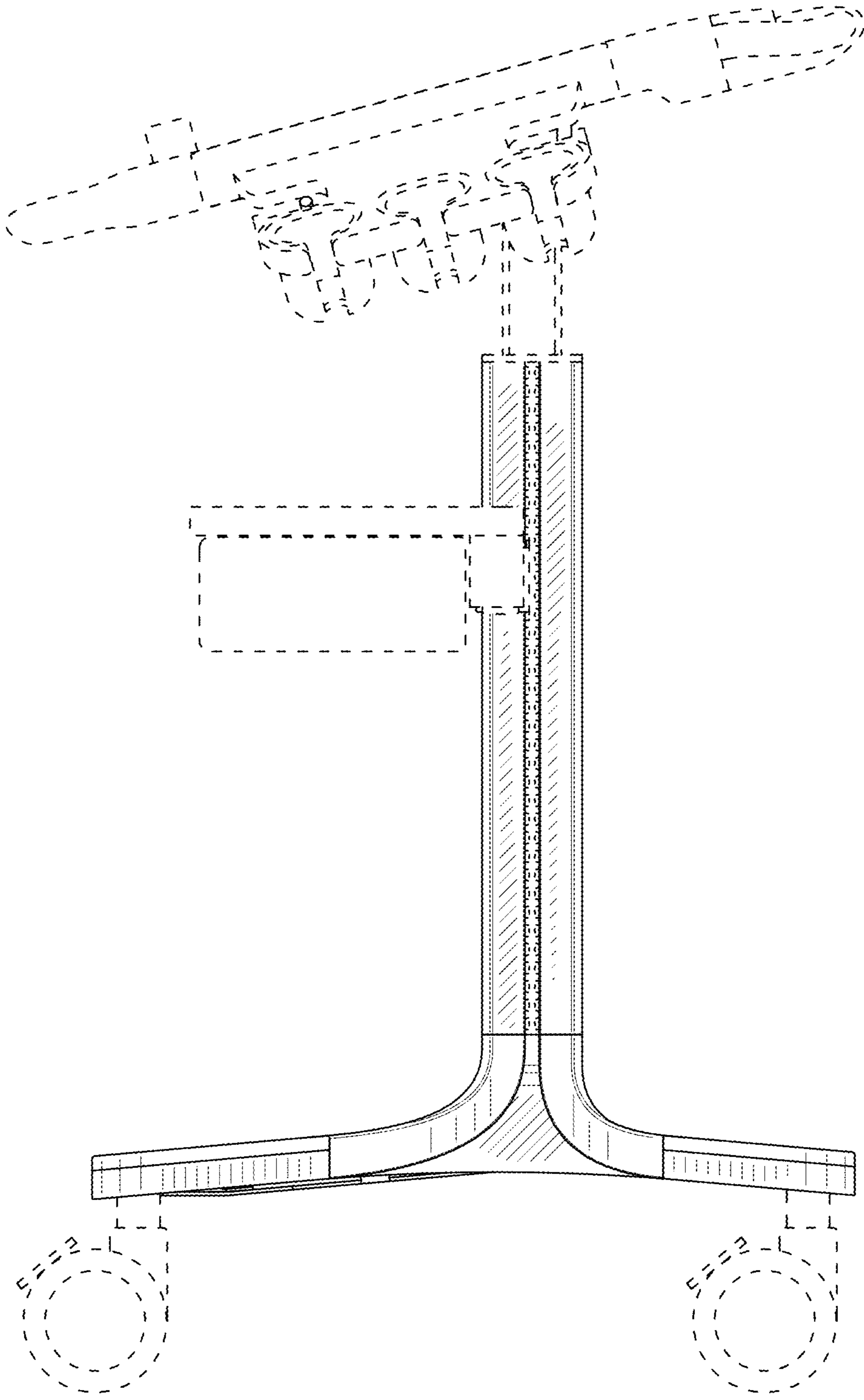


FIG. 4

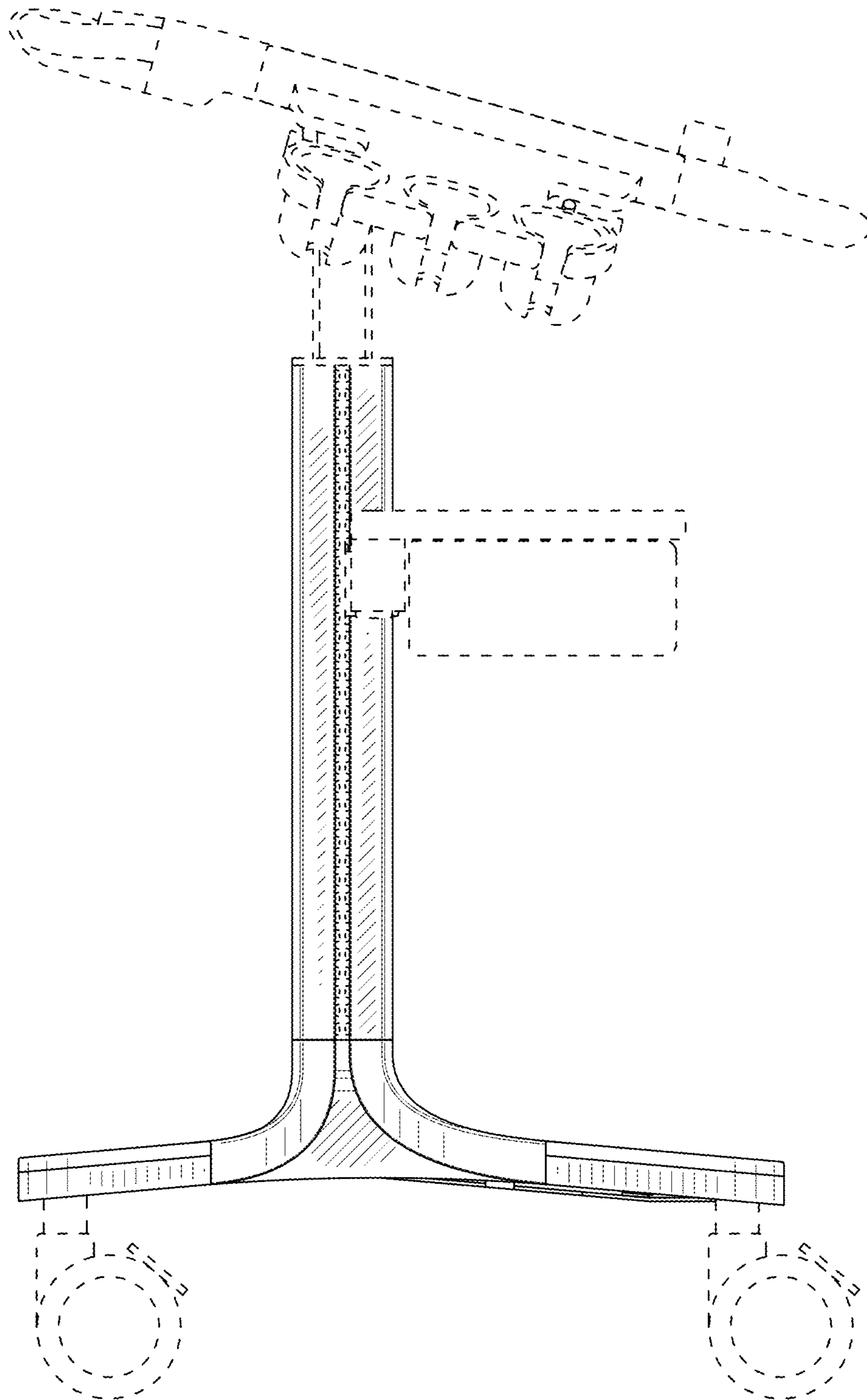


FIG. 5

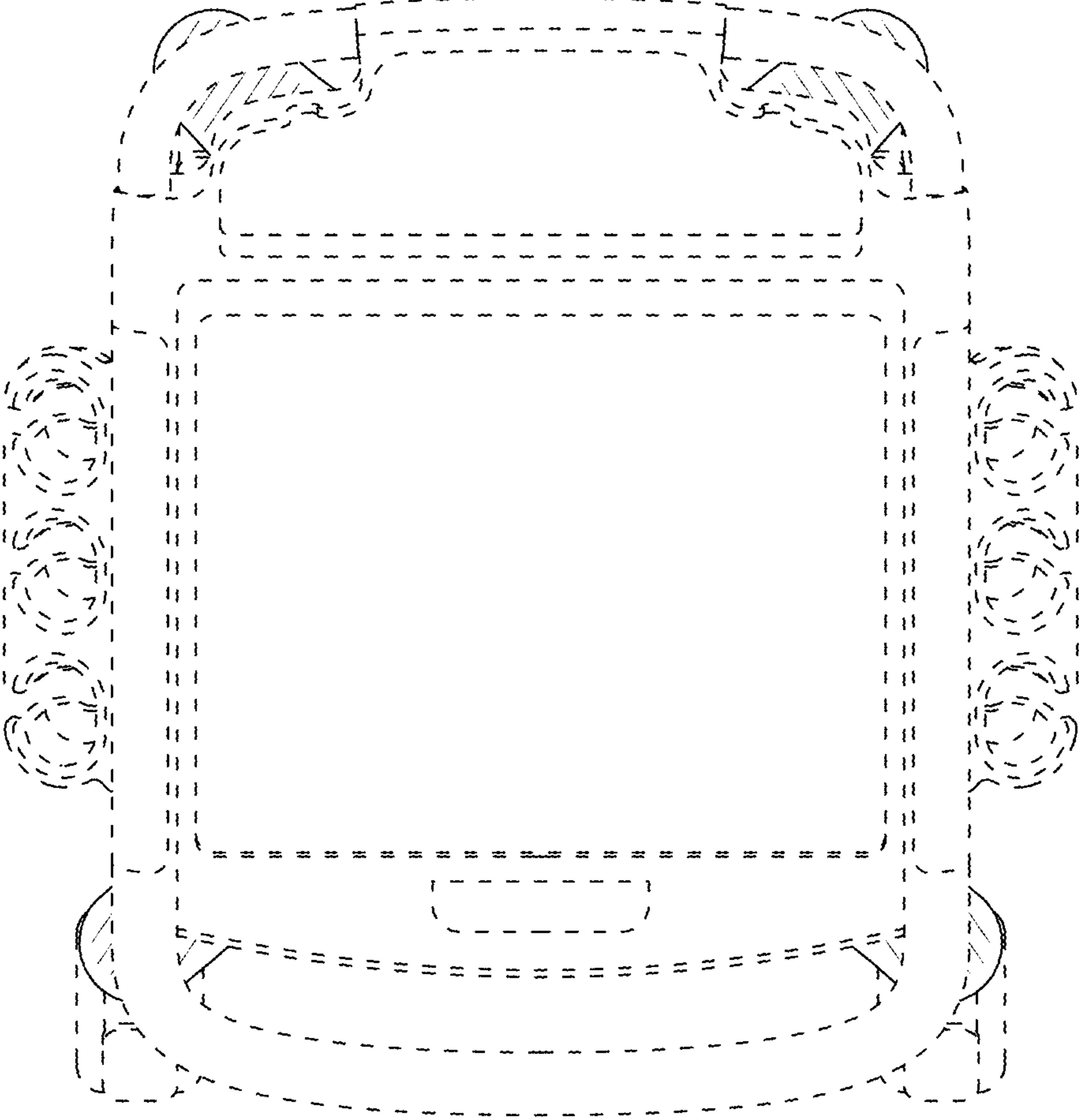


FIG. 6

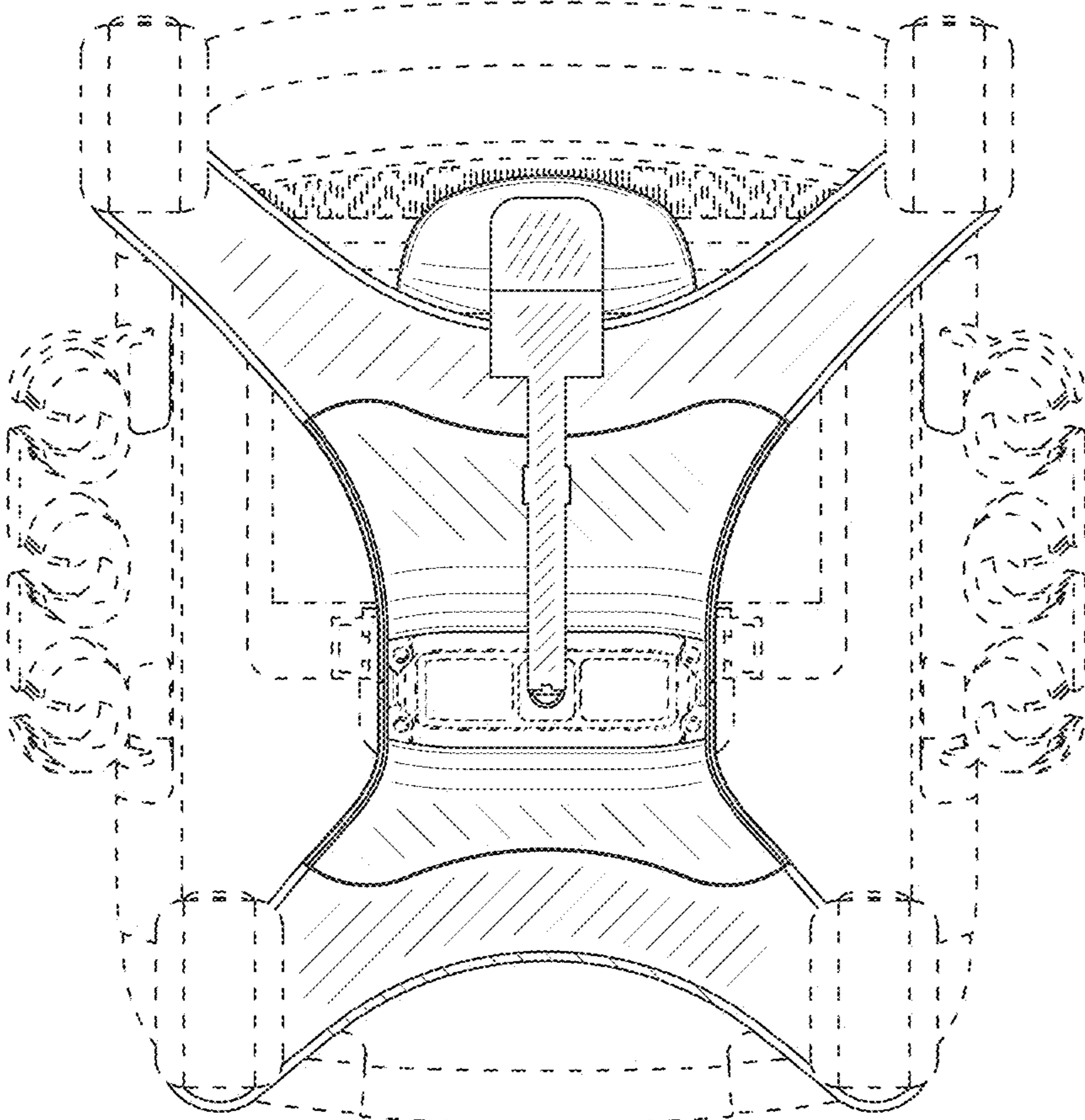


FIG. 7