



US00D876631S

(12) **United States Design Patent** (10) **Patent No.:** **US D876,631 S**
Baker et al. (45) **Date of Patent:** **** Feb. 25, 2020**

(54) **RADIOTHERAPY DEVICE**
 (71) Applicant: **Elekta Limited**, West Sussex (GB)
 (72) Inventors: **Alexander John Baker**, Warwick (GB);
Malcolm Stanley Boyd,
 Stratford-upon-Avon (GB); **James**
Andrew Holt, Leamington Spa (GB);
Daniel Paul Jenkins, St. Albans (GB);
Anthony Paul Morris, Solihull (GB);
Timothy Lewis Sharpe,
 Stratford-upon-Avon (GB); **Alexander**
James Woolley, Leamington Spa (GB)

(73) Assignee: **Electa Limited**, West Sussex (GB)
 (**) Term: **15 Years**
 (21) Appl. No.: **29/588,363**
 (22) Filed: **Dec. 20, 2016**
 (51) **LOC (12) Cl.** **24-01**
 (52) **U.S. Cl.**
 USPC **D24/158**
 (58) **Field of Classification Search**
 USPC D24/158–161, 185, 186, 107
 CPC A61N 2005/1061; A61N 5/10; A61N
 5/1081; A61N 5/1048; A61N 5/1049
 See application file for complete search history.

(56) **References Cited**
 U.S. PATENT DOCUMENTS

D441,866	S	*	5/2001	Marchesi	D24/159
D564,663	S	*	3/2008	Udagawa	D24/158
D639,950	S	*	6/2011	Ramos	D24/158
D700,339	S	*	2/2014	Tan	D24/158
D700,340	S	*	2/2014	Tan	D24/158
D700,968	S	*	3/2014	Delaey	D24/159
D715,444	S	*	10/2014	Zhi	D24/159
D795,435	S	*	8/2017	Liu	D24/158
2005/0089141	A1	*	4/2005	Brown	A61N 5/10 378/65

2006/0233303 A1* 10/2006 Carlsson A61N 5/1049
 378/68
 2009/0097614 A1* 4/2009 Bergfjord A61N 5/10
 378/65
 2015/0352375 A1* 12/2015 Chen A61N 5/1049
 600/1

(Continued)

OTHER PUBLICATIONS

Design U.S. Appl. No. 29/588,360, filed Dec. 20, 2016, entitled
 “Radiotherapy Device,” by Alexander John Baker et al.
 (Continued)

Primary Examiner — Anhdao Doan
 (74) *Attorney, Agent, or Firm* — Finnegan, Henderson,
 Farabow, Garrett and Dunner, LLP

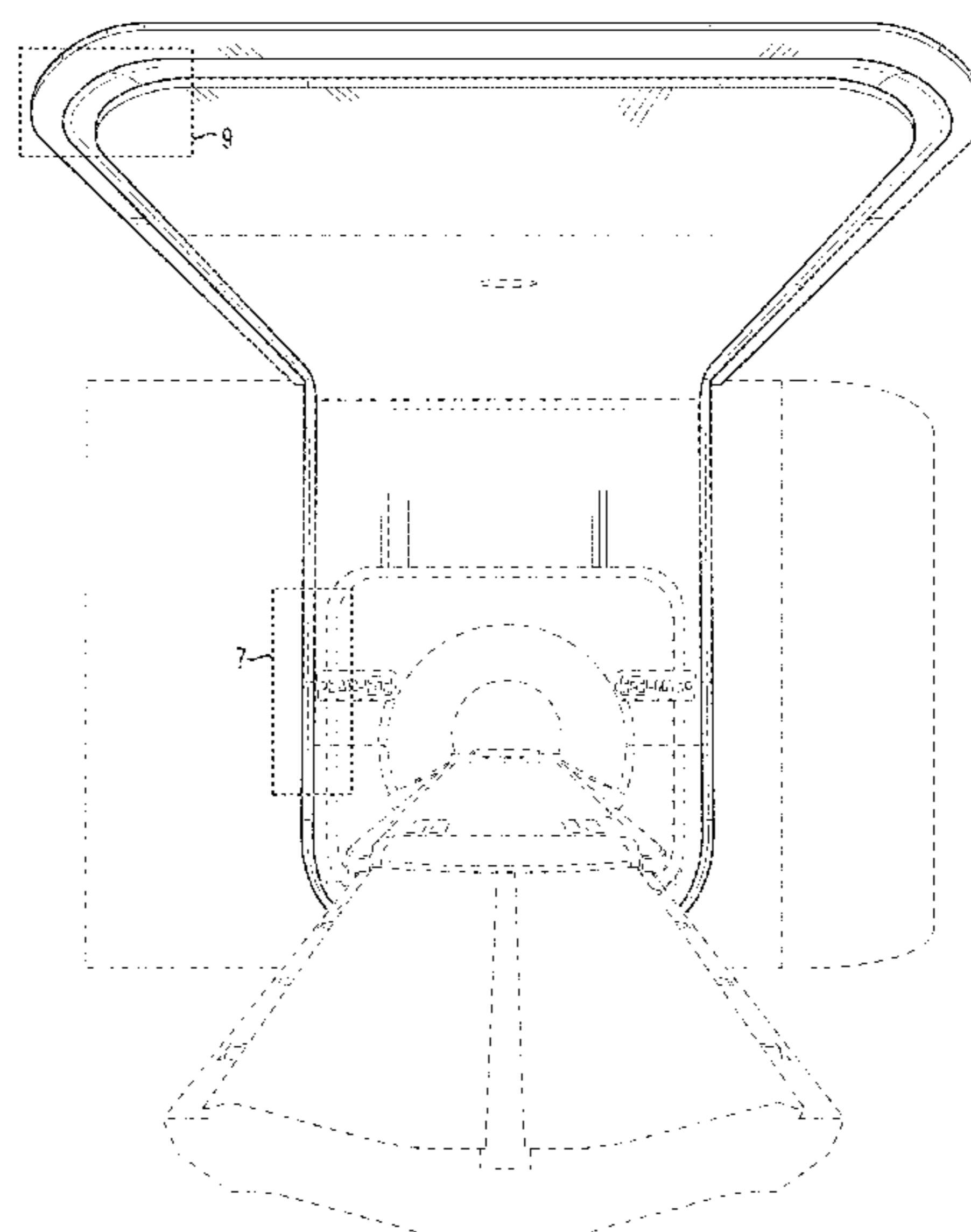
(57) **CLAIM**

The ornamental design for a radiotherapy device, as shown and described.

DESCRIPTION

FIG. 1 is a front perspective view of a radiotherapy device showing the new design;
 FIG. 2 is a right perspective view thereof;
 FIG. 3 is a left perspective view thereof;
 FIG. 4 is a right side elevation view thereof;
 FIG. 5 is a front elevation view thereof;
 FIG. 6 is a rear right perspective view thereof;
 FIG. 7 is an enlarged view of the identified portion of FIG. 1;
 FIG. 8 is an enlarged view of the identified portion of FIG. 3; and,
 FIG. 9 is an enlarged view of the identified portion of FIG. 1.
 The even-length broken lines shown in the drawings illustrate portions of the radiotherapy device that form no part of the claimed design.

1 Claim, 9 Drawing Sheets



(56)

References Cited

U.S. PATENT DOCUMENTS

2017/0239495 A1* 8/2017 Timmer A61N 5/1081

OTHER PUBLICATIONS

Design U.S. Appl. No. 29/588,365, filed Dec. 20, 2016, entitled
"Radiotherapy Device," by Alexander John Baker et al.

Design U.S. Appl. No. 29/588,367, filed Dec. 20, 2016, entitled
"Radiotherapy Device," by Alexander John Baker et al.

* cited by examiner

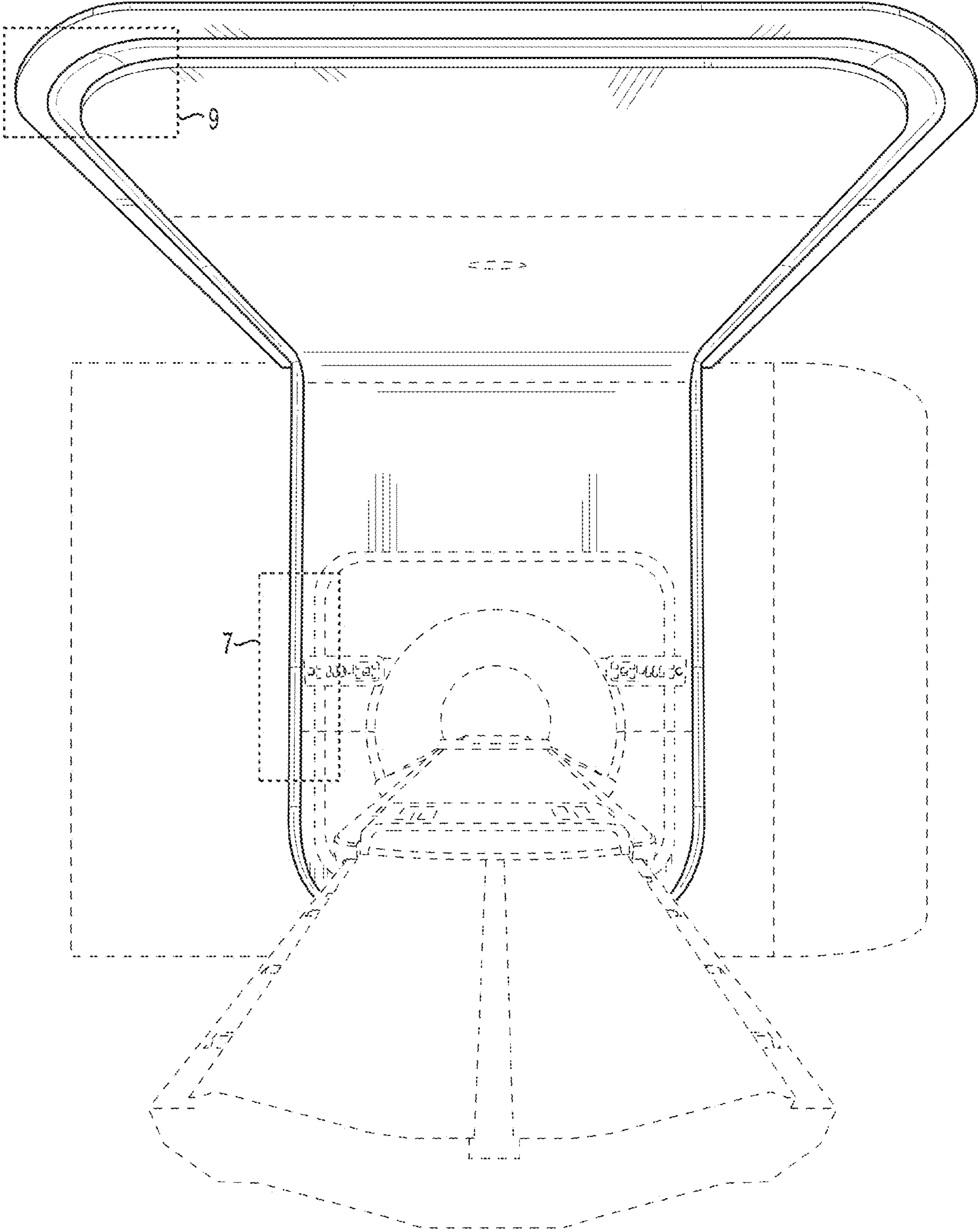


FIG. 1

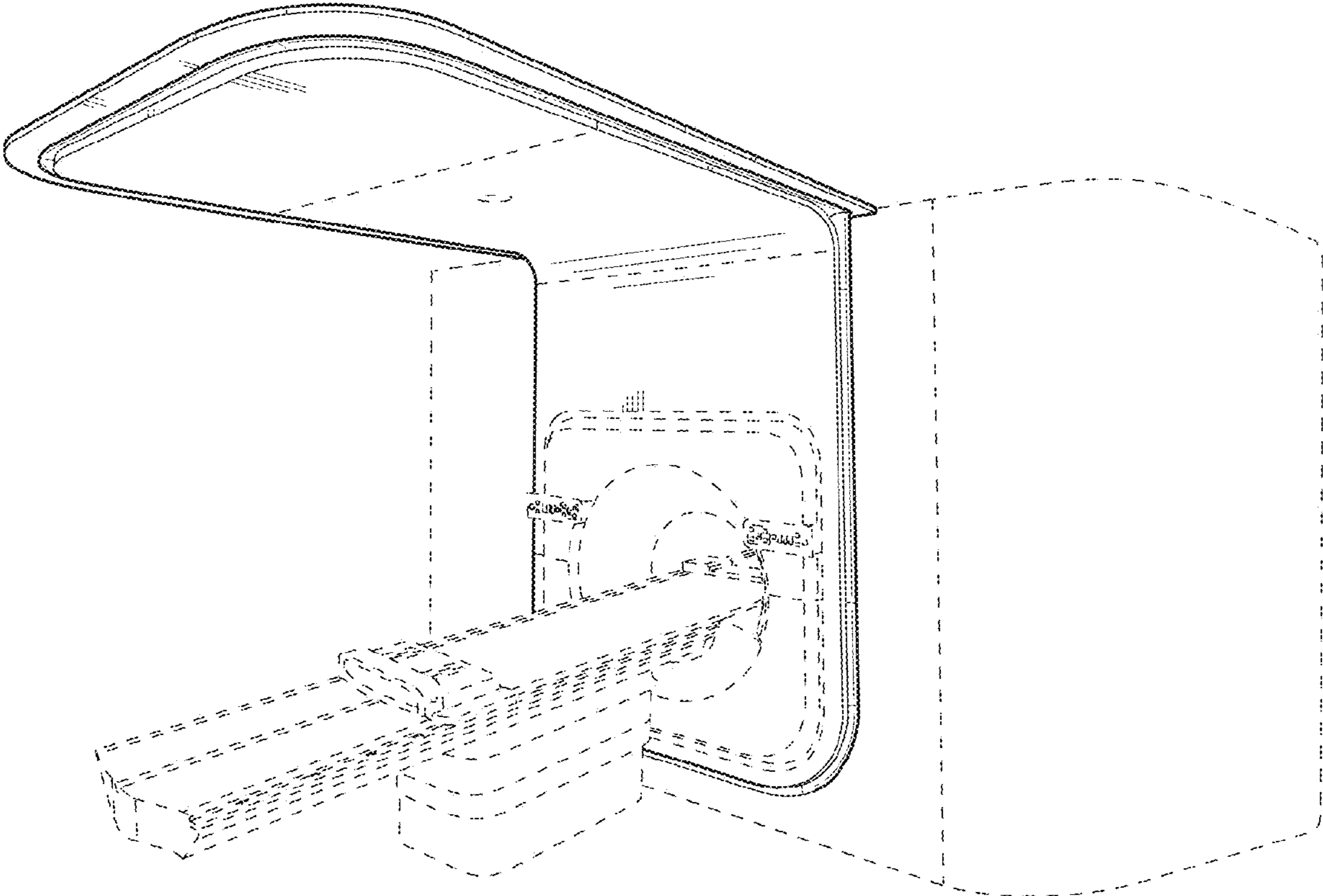


FIG. 2

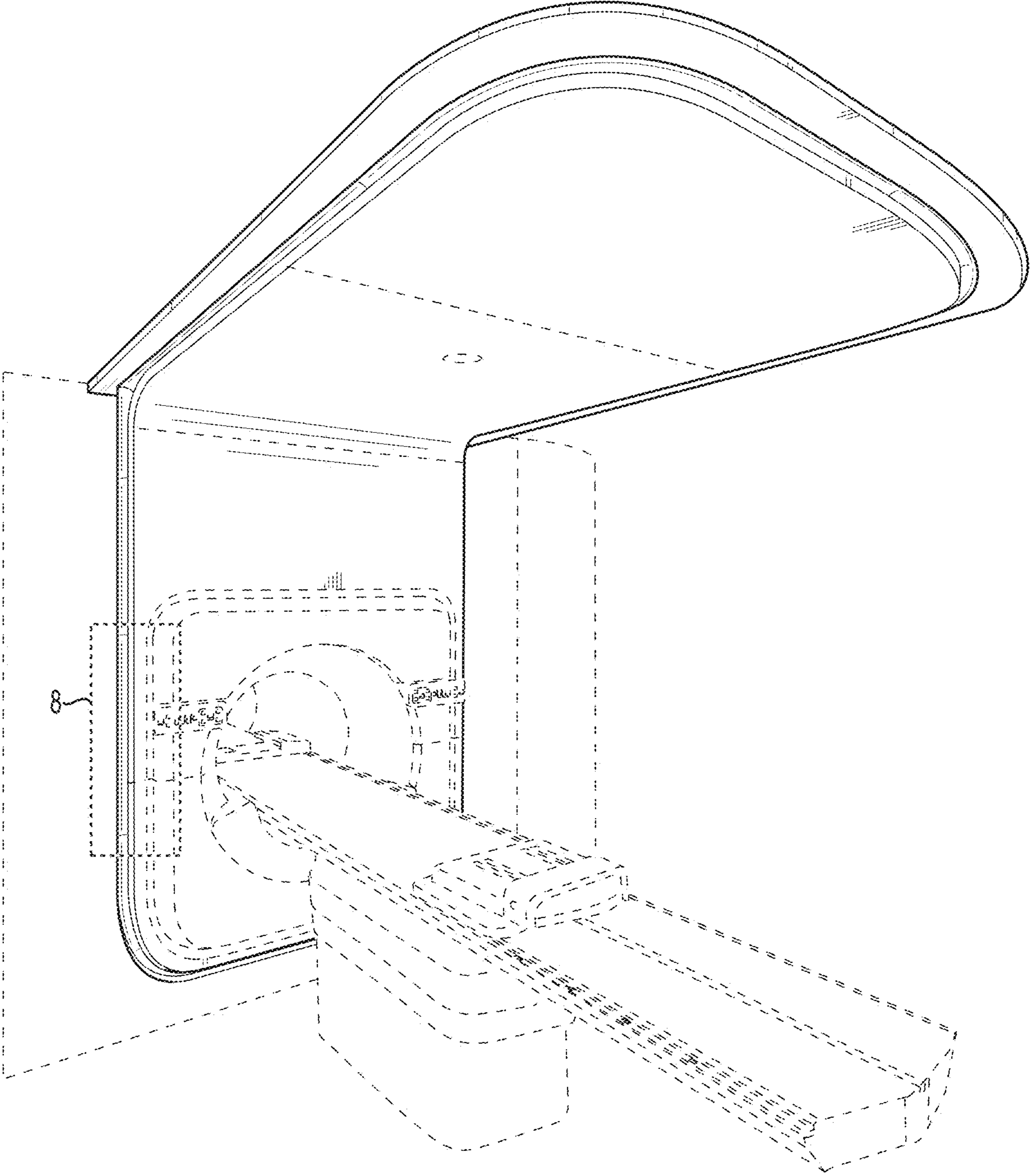


FIG. 3

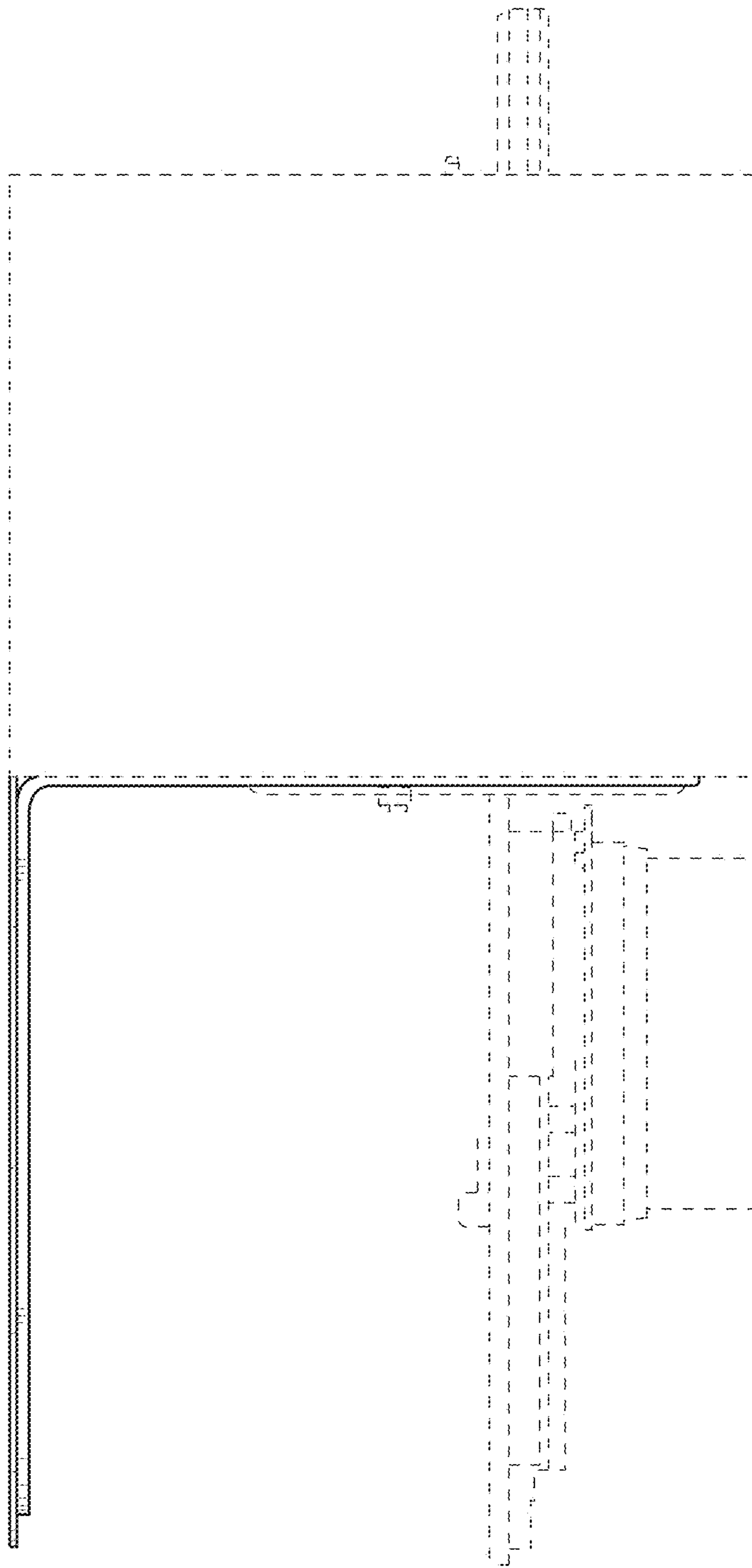


FIG. 4

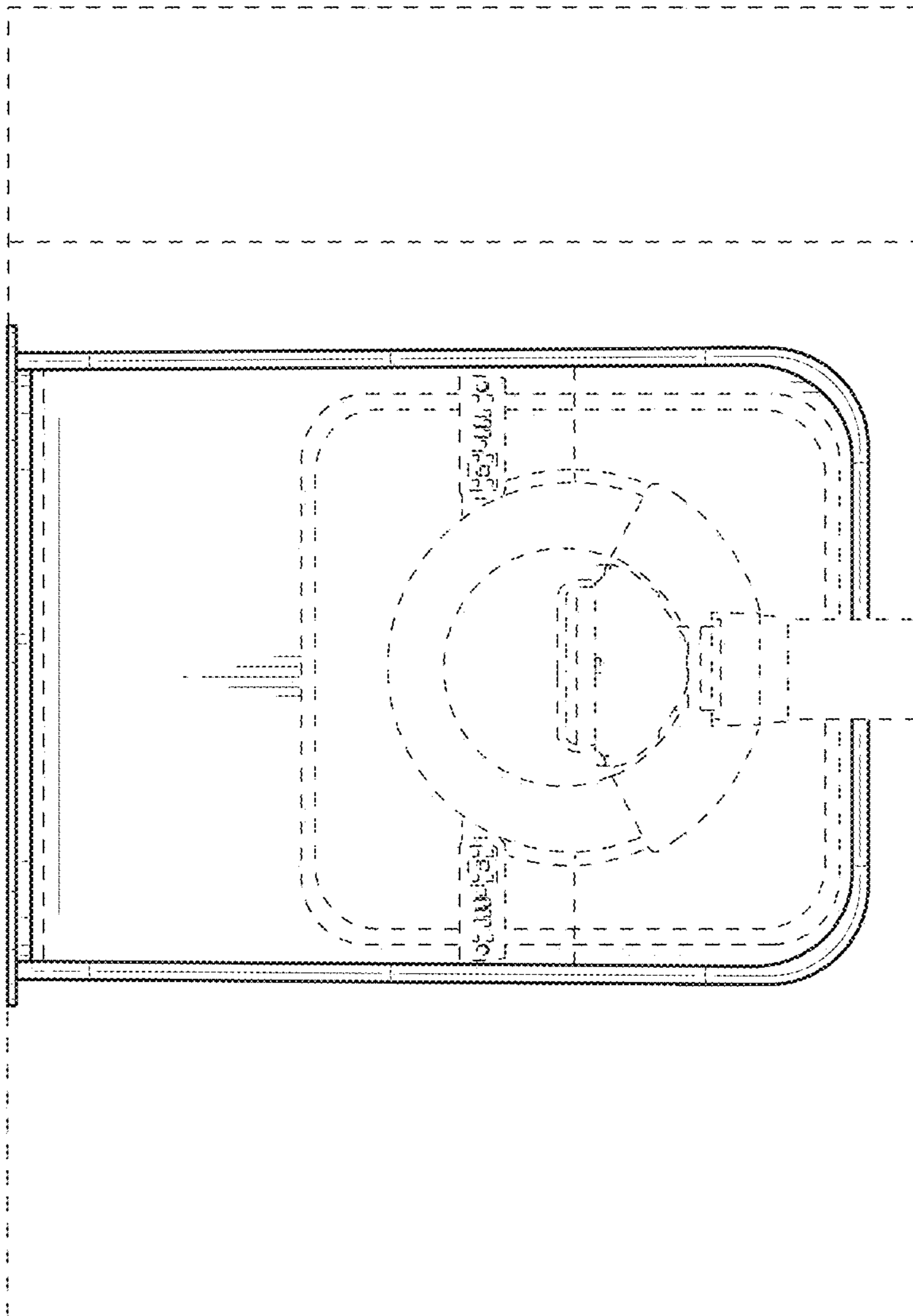


FIG. 5

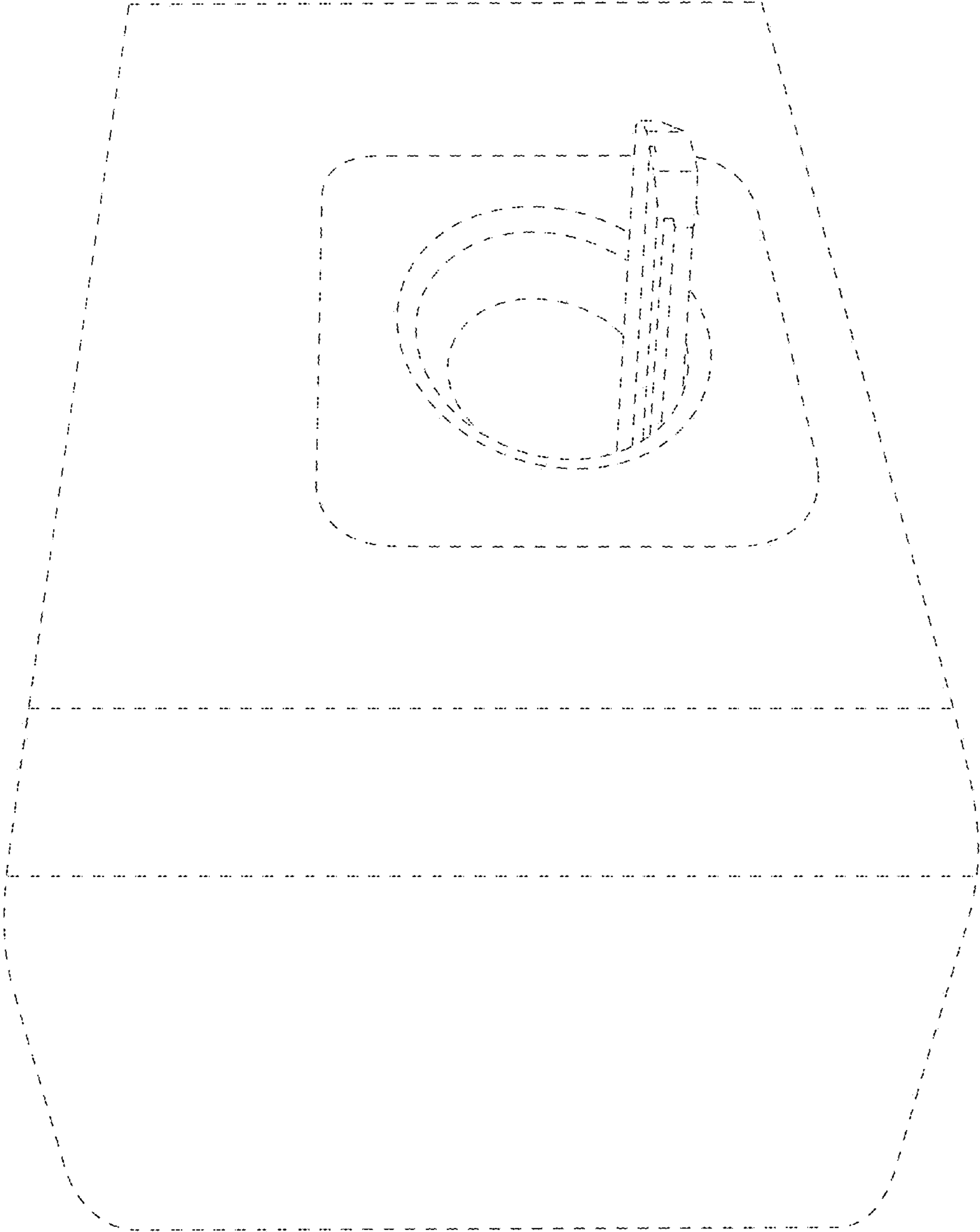


FIG. 6

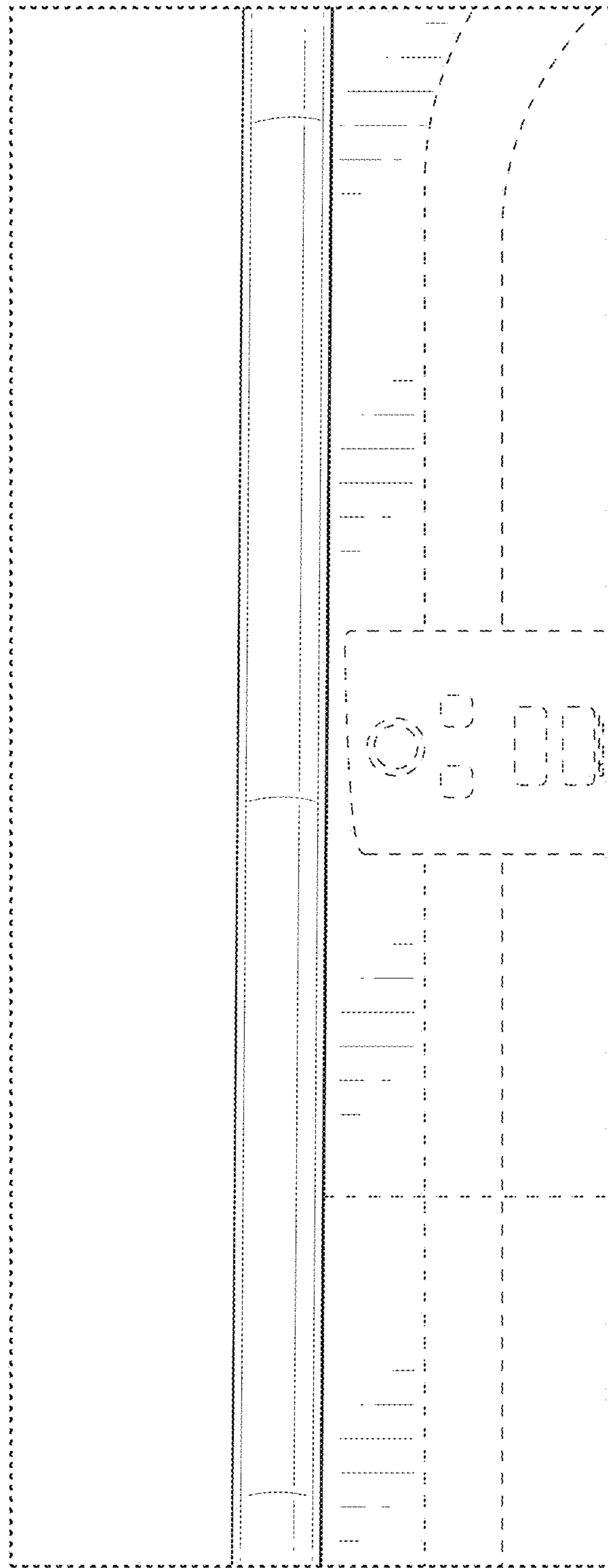


FIG. 7

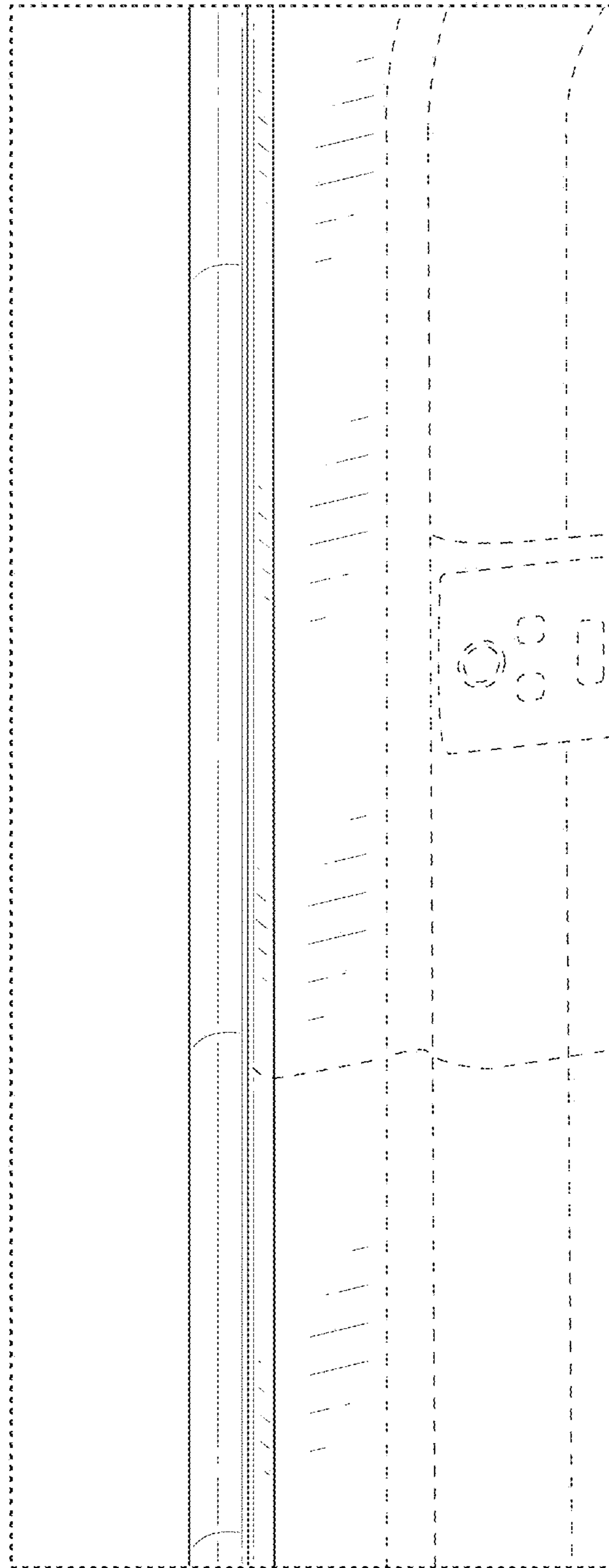


FIG. 8

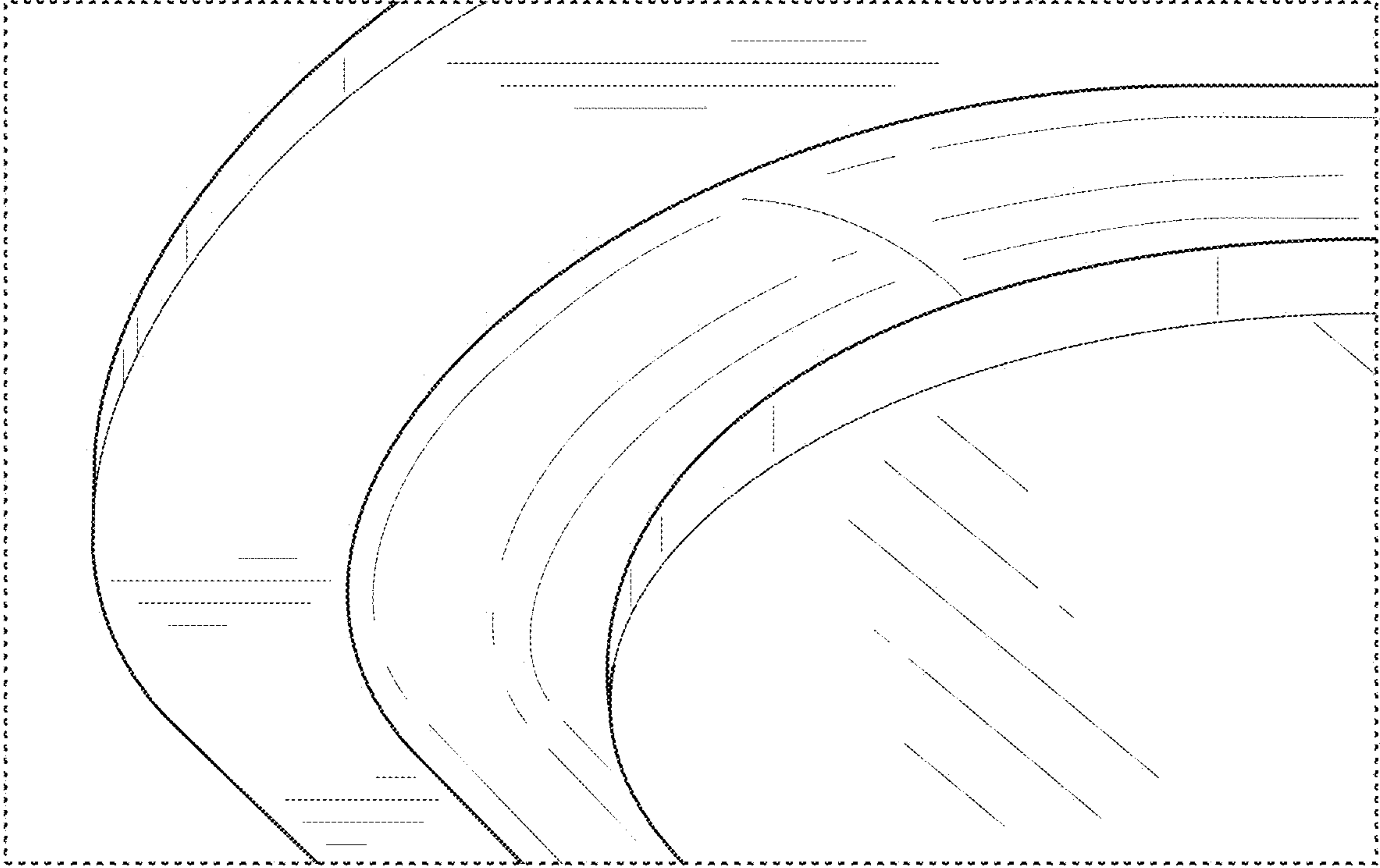


FIG. 9