



US00D876628S

(12) **United States Design Patent** (10) **Patent No.:** **US D876,628 S**
Siman (45) **Date of Patent:** **** Feb. 25, 2020**

(54) **MEDICAL IMPLANT**
(71) Applicant: **NYXOAH S.A.**, Mont-St-Guilbert (BE)
(72) Inventor: **Guy Siman**, Kfar Saba (IL)
(73) Assignee: **NYXOAH S.A.**, Mont-St-Guilbert (BE)
(**) Term: **15 Years**

D683,851 S 6/2013 Greenhalgh
8,577,465 B2 11/2013 Mashiach
D715,928 S 10/2014 Kyvik et al.
D735,322 S 7/2015 Tyce et al.
D755,980 S 5/2016 Jakobsen et al.
D756,513 S 5/2016 Cheney
D759,828 S 6/2016 Riedle
D764,657 S 8/2016 Bokelman et al.
(Continued)

(21) Appl. No.: **29/591,095**
(22) Filed: **Jan. 17, 2017**

FOREIGN PATENT DOCUMENTS

CN 106422063 A 2/2017
JP 09234189 A 9/1997
(Continued)

(30) **Foreign Application Priority Data**

Jul. 20, 2016 (EM) 003312388-0001
Jul. 20, 2016 (EM) 003312388-0002
Jul. 20, 2016 (EM) 003312388-0003
Jul. 20, 2016 (EM) 003312388-0004

OTHER PUBLICATIONS

Final Office Action for U.S. Appl. No. 15/533,089 dated May 3, 2019.
(Continued)

(51) **LOC (12) Cl.** **24-03**
(52) **U.S. Cl.**
USPC **D24/155**
(58) **Field of Classification Search**
USPC D24/155
CPC .. A61N 1/05; A61B 17/0642; A61B 17/0682;
A61B 17/0644; F16B 15/06
See application file for complete search history.

Primary Examiner — Charles D Hanson
(74) *Attorney, Agent, or Firm* — Dorsey & Whitney LLP

(57) **CLAIM**

The ornamental design for a medical implant, as shown and described.

DESCRIPTION

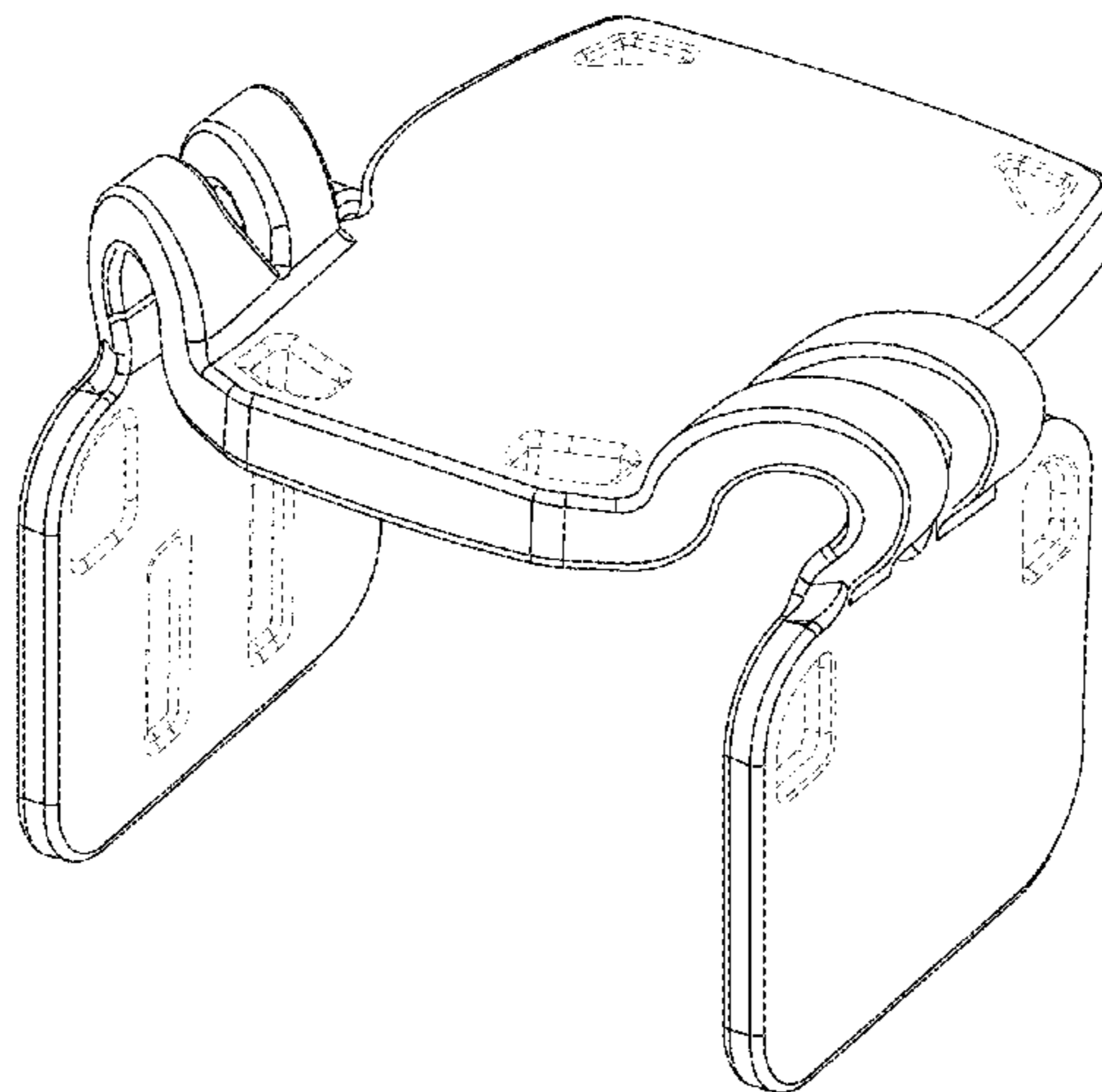
FIG. 1 is a perspective view of a new design for a medical implant;
FIG. 2 is a right side elevational view thereof, the left side elevational view being a mirror image;
FIG. 3 is a rear elevational view thereof;
FIG. 4 is a front elevational view thereof;
FIG. 5 is a top plan view thereof; and,
FIG. 6 is a bottom plan view thereof.
The broken lines represent portions of the medical implant that form no part of the claimed design.

(56) **References Cited**

U.S. PATENT DOCUMENTS

4,370,984 A 2/1983 Cartmell
D272,943 S 3/1984 Stone et al.
4,856,499 A 8/1989 Kelly
D349,958 S 8/1994 Peterson et al.
5,511,548 A 4/1996 Riazzi et al.
5,995,874 A 11/1999 Borza
D454,955 S 3/2002 Dunshee et al.
D477,085 S 7/2003 Sanfilippo
D539,424 S 3/2007 Persson et al.
D610,677 S 2/2010 Tyce
D655,807 S 3/2012 Mogensen et al.

1 Claim, 6 Drawing Sheets



(56)

References Cited

FOREIGN PATENT DOCUMENTS

U.S. PATENT DOCUMENTS

D773,665 S * 12/2016 Cheney D24/155
 D773,666 S * 12/2016 Cheney D24/155
 D777,329 S * 1/2017 Montoya D24/155
 D780,311 S * 2/2017 Cheney D24/155
 D790,714 S 6/2017 Addison
 9,818,530 B2 11/2017 Muratov et al.
 9,935,498 B2 4/2018 Joshi
 D819,202 S 5/2018 Svantesson et al.
 9,962,500 B2 5/2018 Holtwick et al.
 2002/0077599 A1 6/2002 Wojcik
 2003/0040291 A1 2/2003 Brewer
 2004/0010233 A1 1/2004 Hjertman et al.
 2010/0259109 A1 10/2010 Sato
 2010/0268313 A1* 10/2010 Conn A61N 1/0541
 607/137
 2012/0212074 A1 8/2012 Uchida
 2012/0235504 A1 9/2012 Kesler et al.
 2013/0085560 A1 4/2013 Mashlach
 2013/0200716 A1 8/2013 Kesler et al.
 2014/0003189 A1 1/2014 Gerl et al.
 2014/0031890 A1 1/2014 Mashlach et al.
 2014/0097791 A1 4/2014 Lisuwandi
 2014/0225449 A1 8/2014 Kurs
 2014/0339910 A1 11/2014 Sealy
 2014/0358026 A1 12/2014 Mashlach et al.
 2014/0358197 A1 12/2014 Mashlach et al.
 2014/0371802 A1 12/2014 Mashlach et al.
 2015/0108945 A1 4/2015 Yan et al.
 2015/0270719 A1 9/2015 Kurs et al.
 2015/0290455 A1* 10/2015 Bornzin A61N 1/0551
 604/397
 2015/0343221 A1 12/2015 Mashlach
 2016/0067106 A1 3/2016 Howell et al.
 2017/0007442 A1 1/2017 Dietz
 2018/0200520 A1 7/2018 Tranchina et al.

WO 2009051539 A1 4/2009
 WO 2009091267 A2 7/2009
 WO 2010059097 A1 5/2010
 WO 2011008165 A1 1/2011
 WO 2012148474 A1 11/2012
 WO 2013164831 A1 11/2013

OTHER PUBLICATIONS

International Search Report and Written Opinion from International Application No. PCT/EP2015/078104 dated Aug. 22, 2016.
 International Search Report and Written Opinion from International Application No. PCT/EP2018/054913 dated Jun. 12, 2018.
 Non-Final Office Action for U.S. Appl. No. 15/533,089 dated Oct. 26, 2018.
 Ping, Si et al. "A Frequency Control Method for Regulating Wireless Power to Implantable Devices," IEEE Transactions on Biomedical Circuits and Systems, vol. 2, No. 1, (Mar. 1, 2008).
 Restriction Requirement for U.S. Appl. No. 15/533,089 dated Aug. 10, 2018.
 U.S. Appl. No. 15/533,089, filed Dec. 21, 2017.
 U.S. Appl. No. 16/488,141, filed Feb. 28, 2018.
 U.S. Appl. No. 29/610,459, filed Jul. 12, 2017.
 U.S. Appl. No. 62/464,917, filed Feb. 28, 2017.
 Direct Home Medical. Link: https://www.directhomemedical.com/cart/merchant.mvc?Screen=PROD&Product_Code=z1-travel-cpap-powershell-module-hdmusa&Store_Code=DHM&gclid=EAlalQobChMlkea7sdvj3glV9fjBx2jLQa5EAQYBSABEglckfD_BwE, visited Nov. 20, 2018. PowerShell Z1 Series CPAP Machines. (Year: 2018).

* cited by examiner

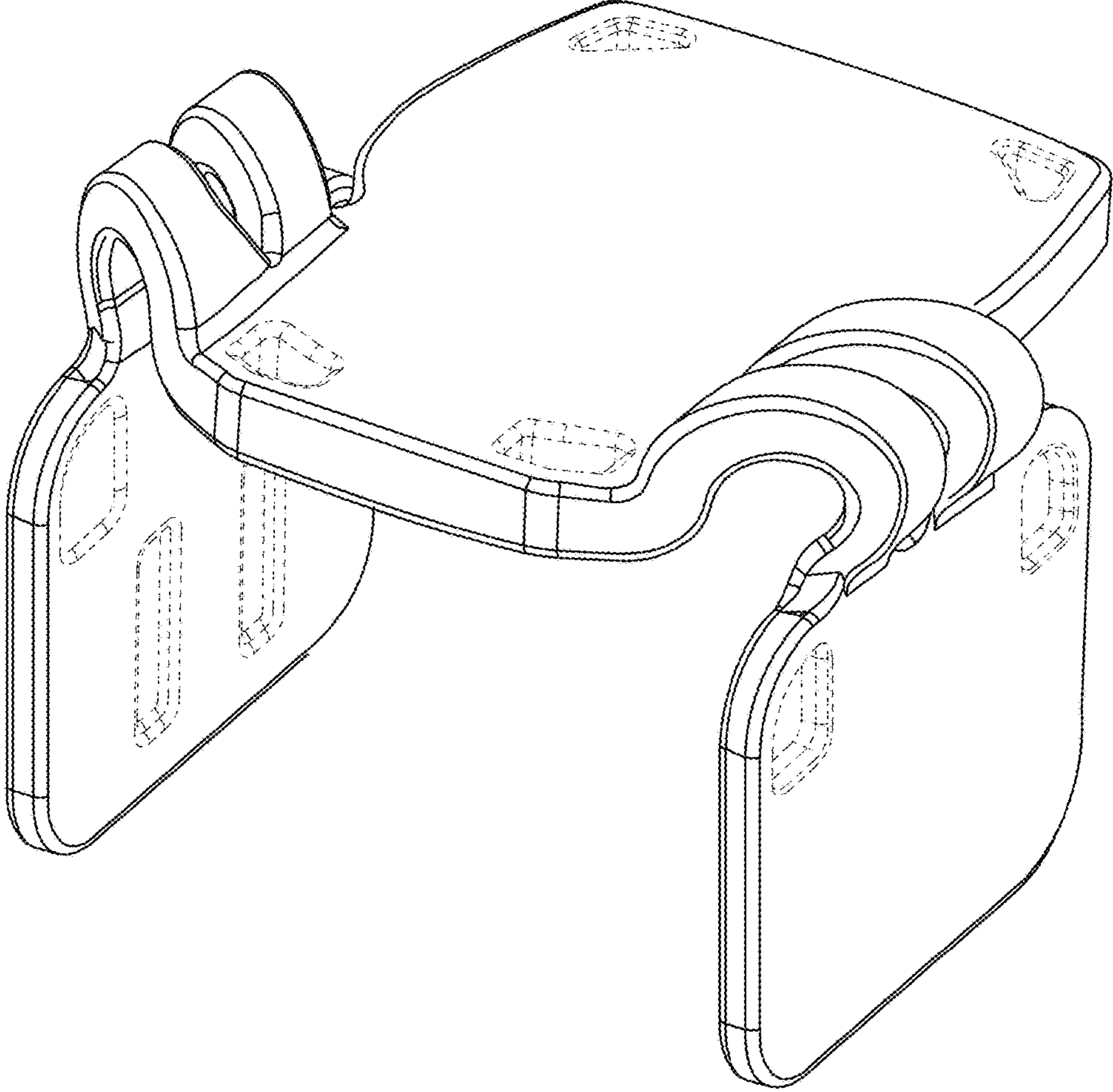


FIG. 1

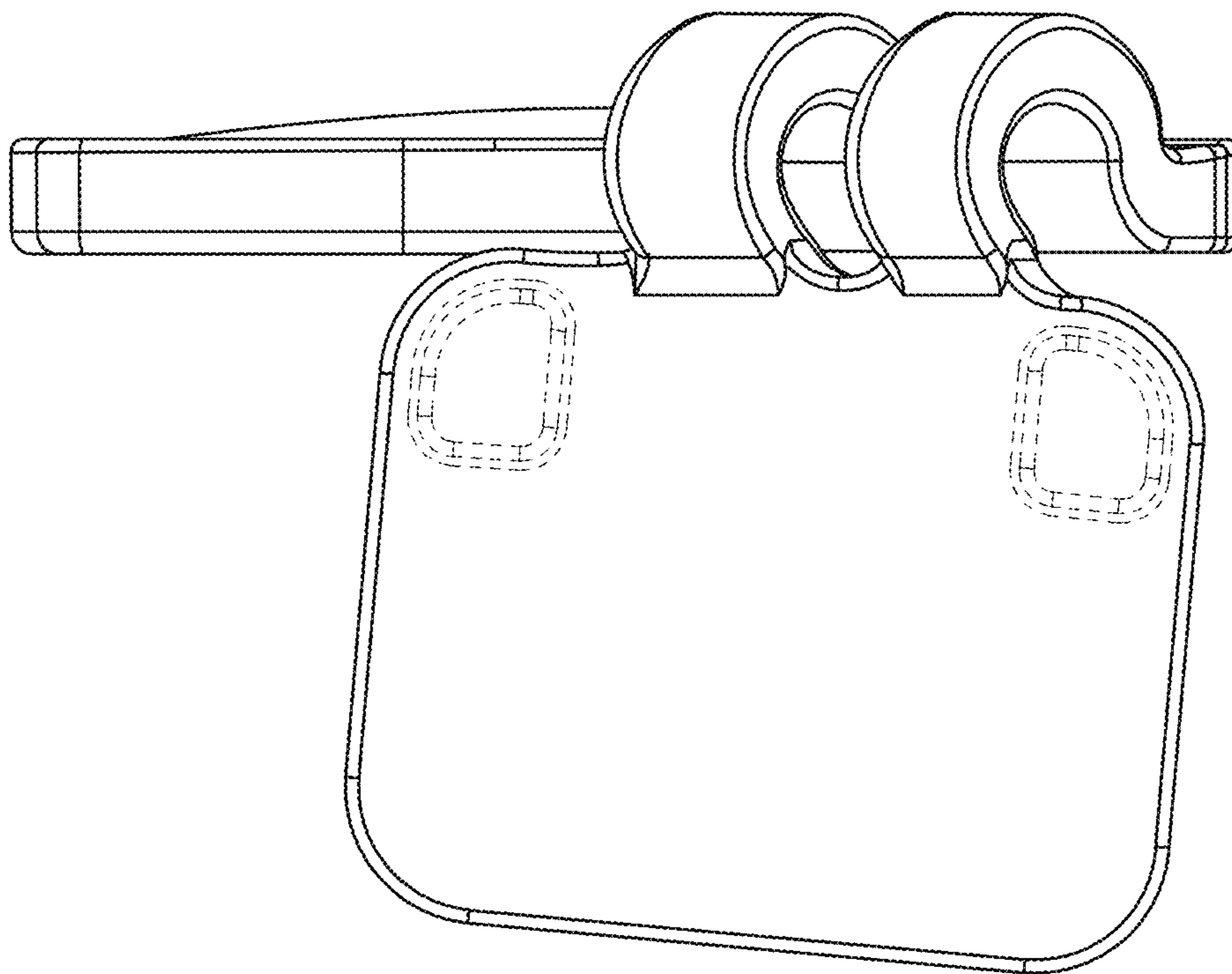


FIG. 2

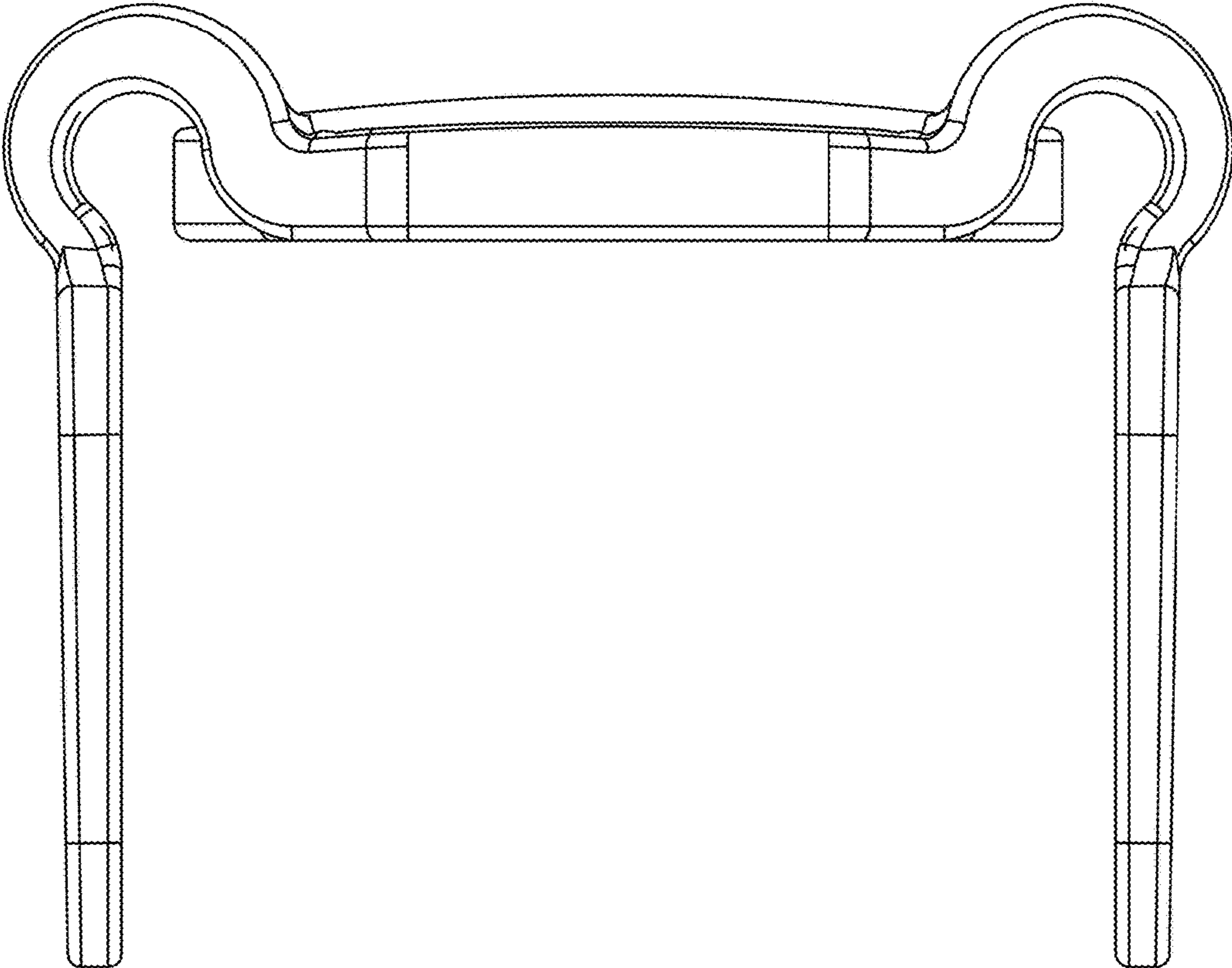


FIG. 3

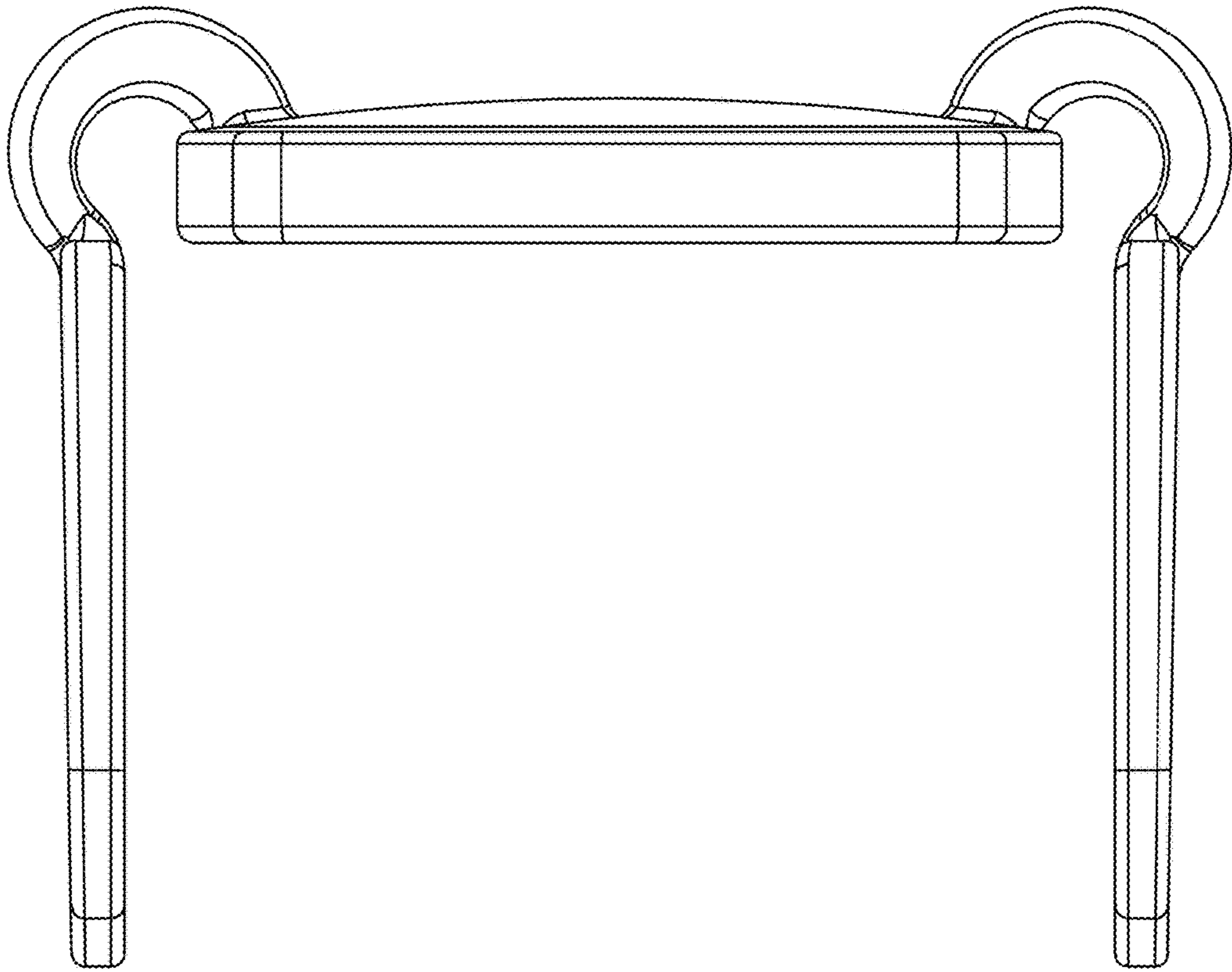


FIG. 4

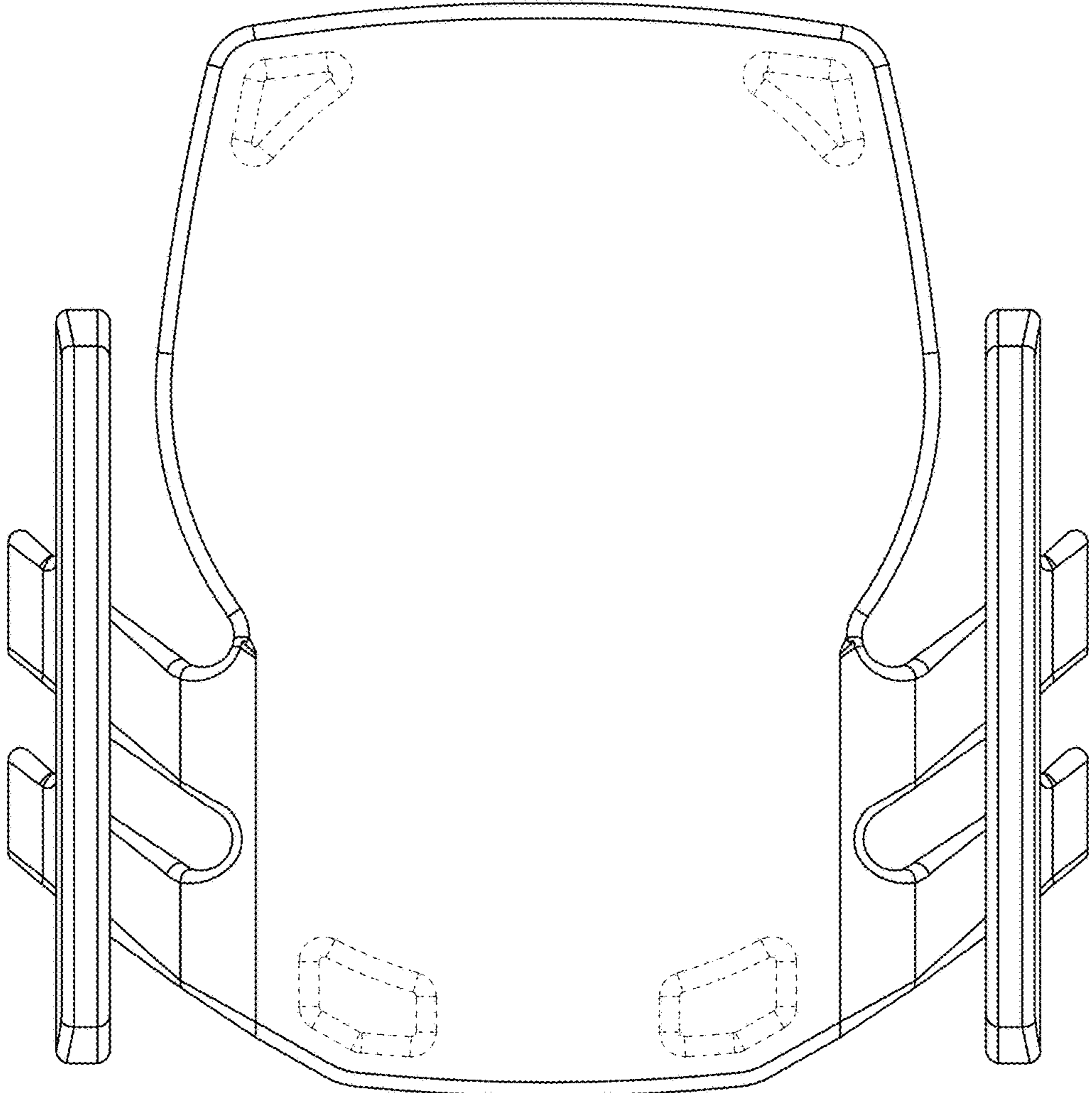


FIG. 5

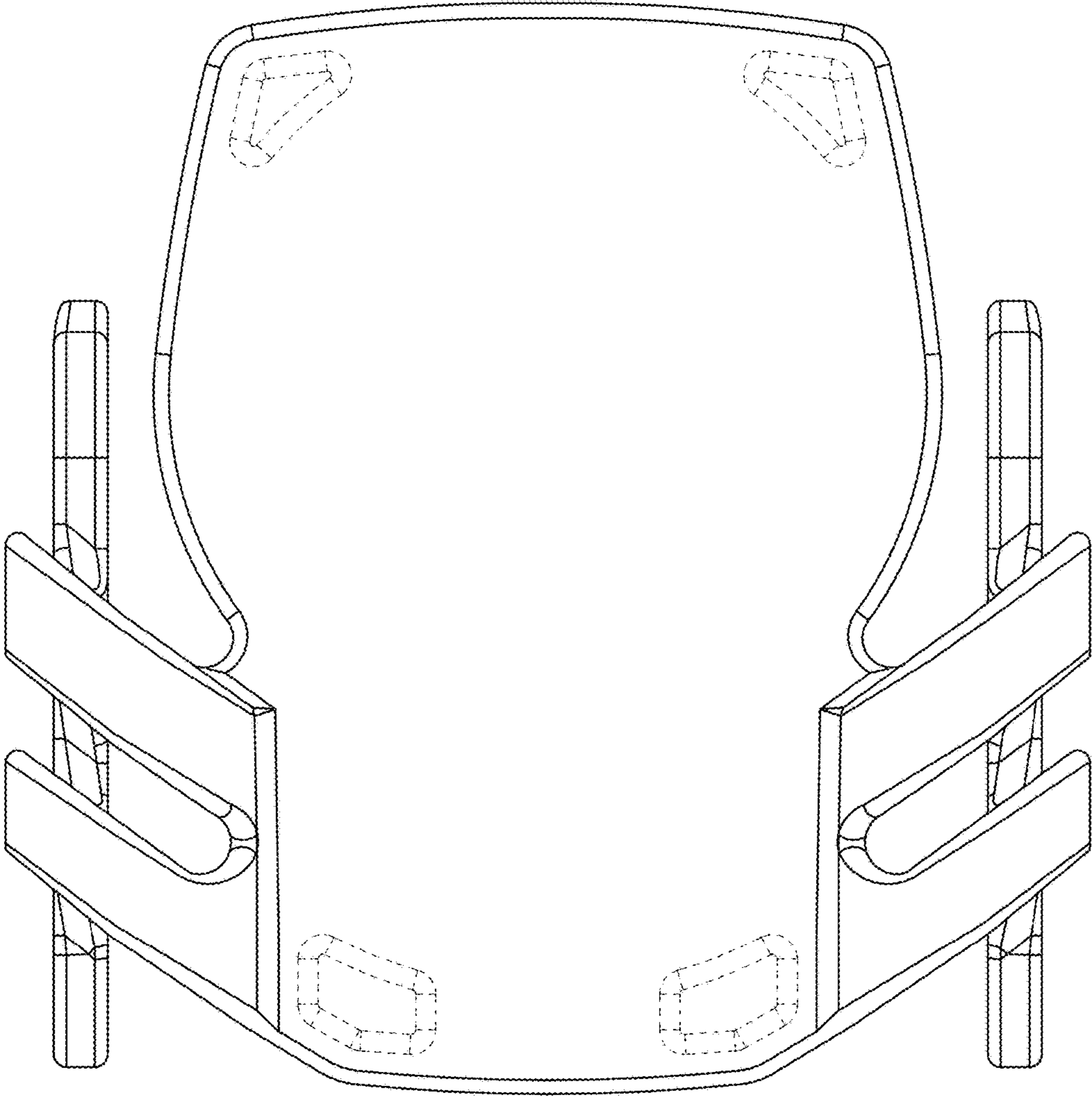


FIG. 6