



US00D876624S

(12) **United States Design Patent**
Theobald et al.

(10) **Patent No.:** **US D876,624 S**
(45) **Date of Patent:** **** Feb. 25, 2020**

(54) **SURGICAL INSTRUMENT**
(71) Applicant: **Exactech, Inc.**, Gainesville, FL (US)
(72) Inventors: **Morganne Theobald**, Gainesville, FL (US); **C. Michael Mauldin**, Lake City, FL (US); **Bo Gao**, Gainesville, FL (US); **Anil Matura**, Gainesville, FL (US); **Jason Lansdown**, Gainesville, FL (US)

(73) Assignee: **Exactech, Inc.**, Gainesville, FL (US)

(**) Term: **15 Years**

(21) Appl. No.: **29/604,805**

(22) Filed: **May 19, 2017**

(51) **LOC (12) Cl.** **24-02**

(52) **U.S. Cl.**
USPC **D24/133**

(58) **Field of Classification Search**
USPC D24/133, 138, 137, 135, 140, 147
CPC A61F 2002/9517; A61F 2002/9522; A61F 2002/9528; A61F 2002/9534; A61F 2002/9665; A61B 1/267; A61B 1/2673; A61B 1/2676; A61B 1/00; A61B 1/00052; A61B 1/00066; A61B 1/04; A61B 5/0077; A61B 19/5223; A61B 19/5225; A61B 8/5215; A61B 17/16; A61B 17/3468; G02B 23/24
See application file for complete search history.

(56) **References Cited**

U.S. PATENT DOCUMENTS

5,688,281 A * 11/1997 Cripe A61B 17/155 606/88
D403,066 S * 12/1998 DeFonzo D24/135
D417,276 S * 11/1999 DeFonzo D24/135
6,193,723 B1 * 2/2001 Cripe A61B 17/155 606/87

6,290,704 B1 * 9/2001 Burkinshaw A61B 17/155 606/102
7,451,550 B2 * 11/2008 Dees, Jr. A61B 17/1764 33/512
D651,317 S * 12/2011 May D24/140
8,579,906 B2 * 11/2013 Rangaiah A61B 17/154 606/88
8,740,910 B2 * 6/2014 McMillen A61B 17/1764 606/87
9,681,963 B2 * 6/2017 Leslie A61B 17/155
2010/0324563 A1 * 12/2010 Green, II A61B 17/1764 606/89
2012/0143205 A1 * 6/2012 Dower A61B 5/1072 606/102
2016/0361178 A1 * 12/2016 Budhabhatti A61B 17/1764

FOREIGN PATENT DOCUMENTS

RU 00090784 * 11/2014

* cited by examiner

Primary Examiner — Susan Bennett Hattan

Assistant Examiner — Lauren D McVey

(74) *Attorney, Agent, or Firm* — Greenberg Traurig, LLP

(57) **CLAIM**

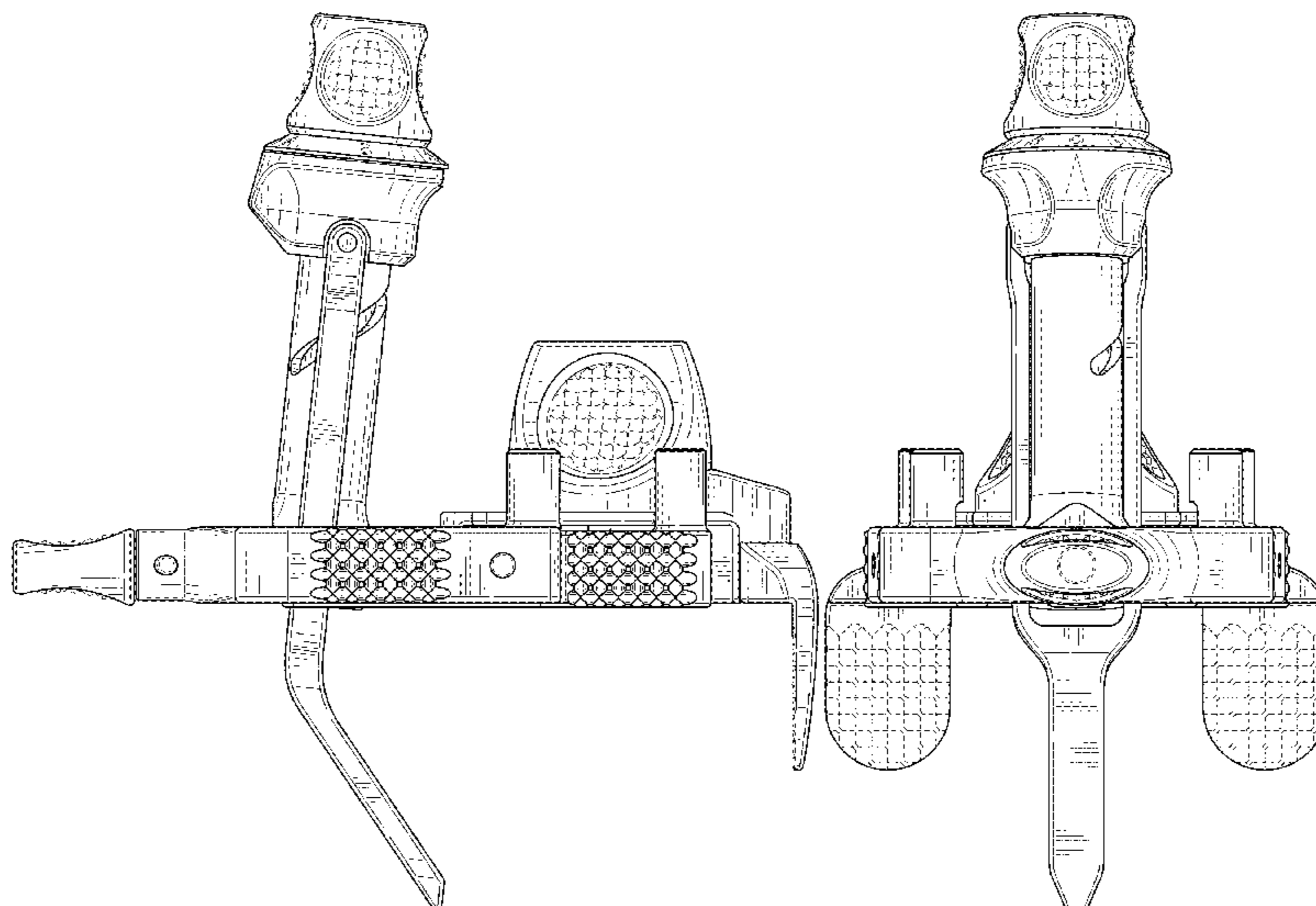
The ornamental design for a surgical instrument, as shown and described.

DESCRIPTION

FIG. 1 is a perspective view of a surgical instrument showing our new design;
FIG. 2 is a front elevational view thereof;
FIG. 3 is a rear elevational view thereof;
FIG. 4 is a left side elevational view thereof;
FIG. 5 is a right side elevational view thereof;
FIG. 6 is a top plan view thereof; and,
FIG. 7 is a bottom plan view thereof.

The broken lines immediately adjacent the shaded areas depict the bounds of the claimed design, while all other broken lines are directed to environment. The broken lines form no part of the claimed design.

1 Claim, 7 Drawing Sheets



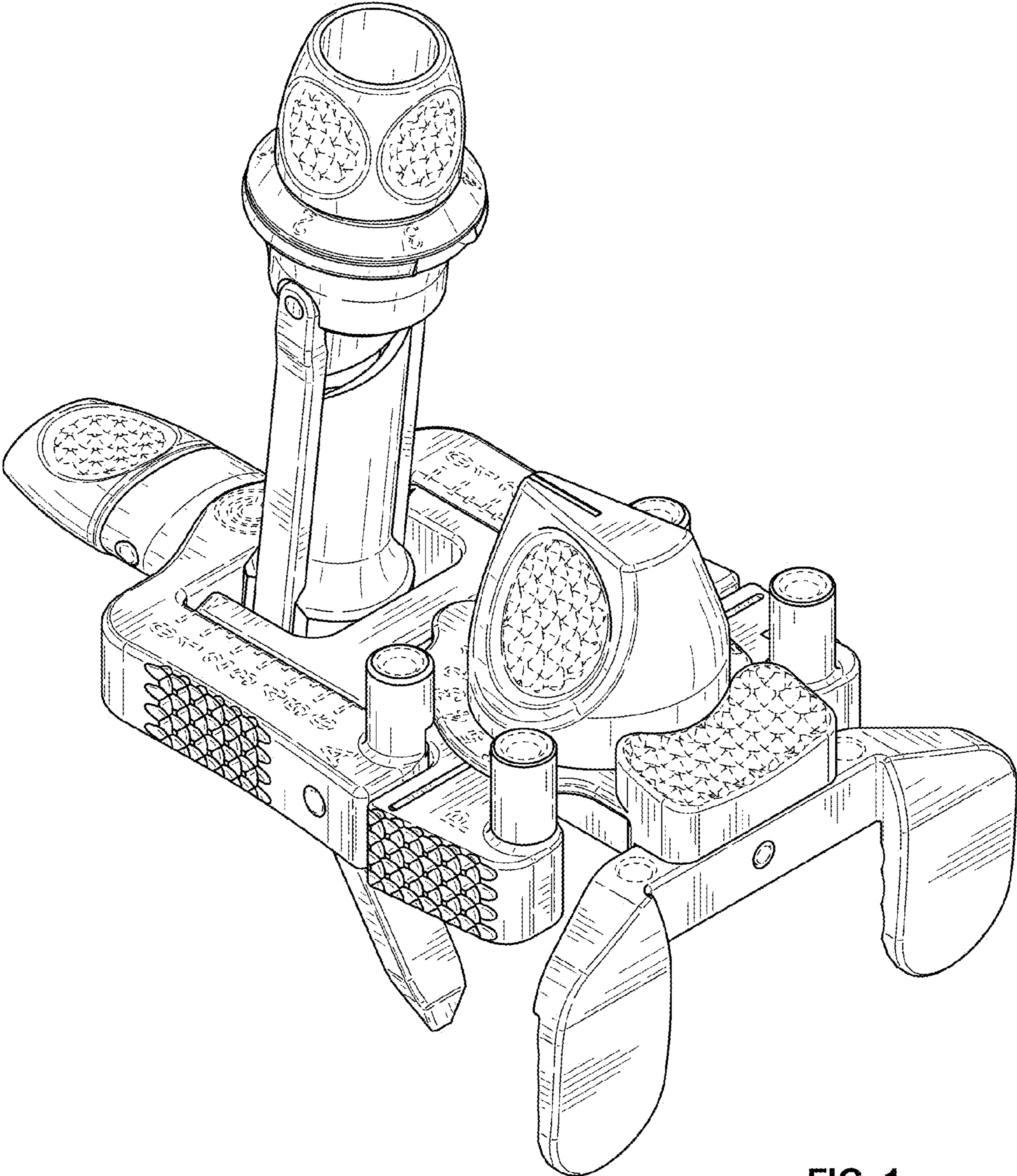


FIG. 1

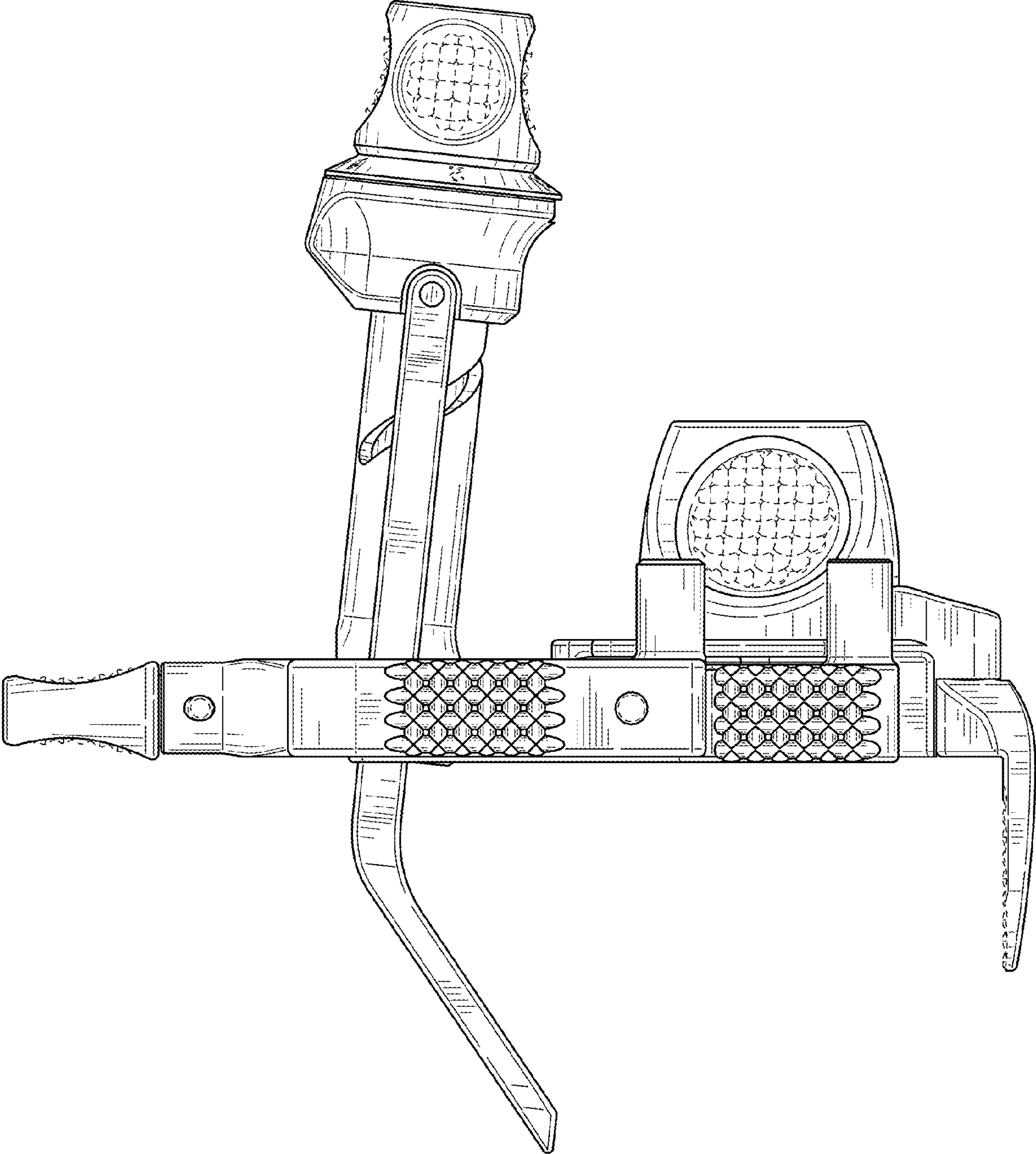


FIG. 2

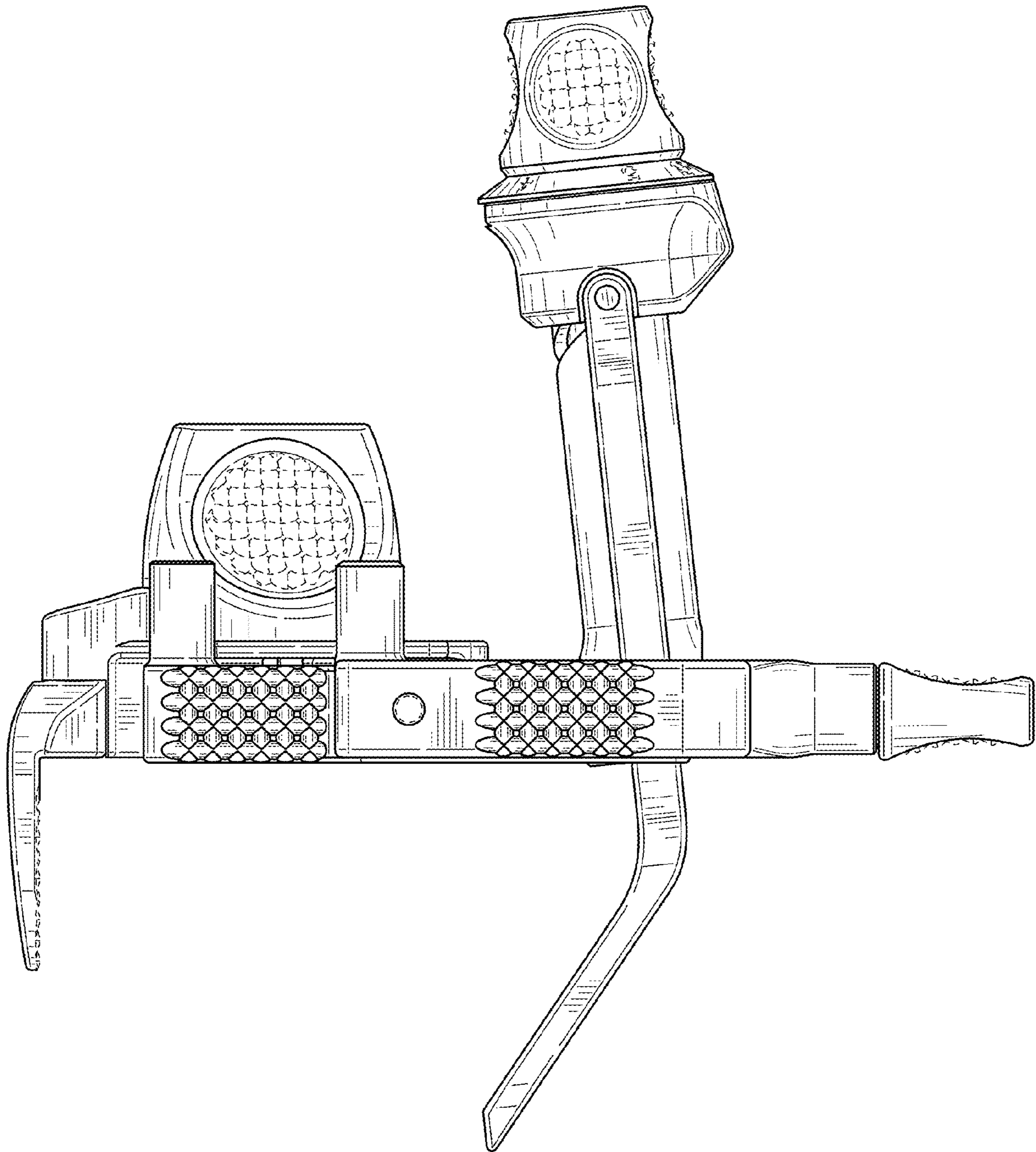


FIG. 3

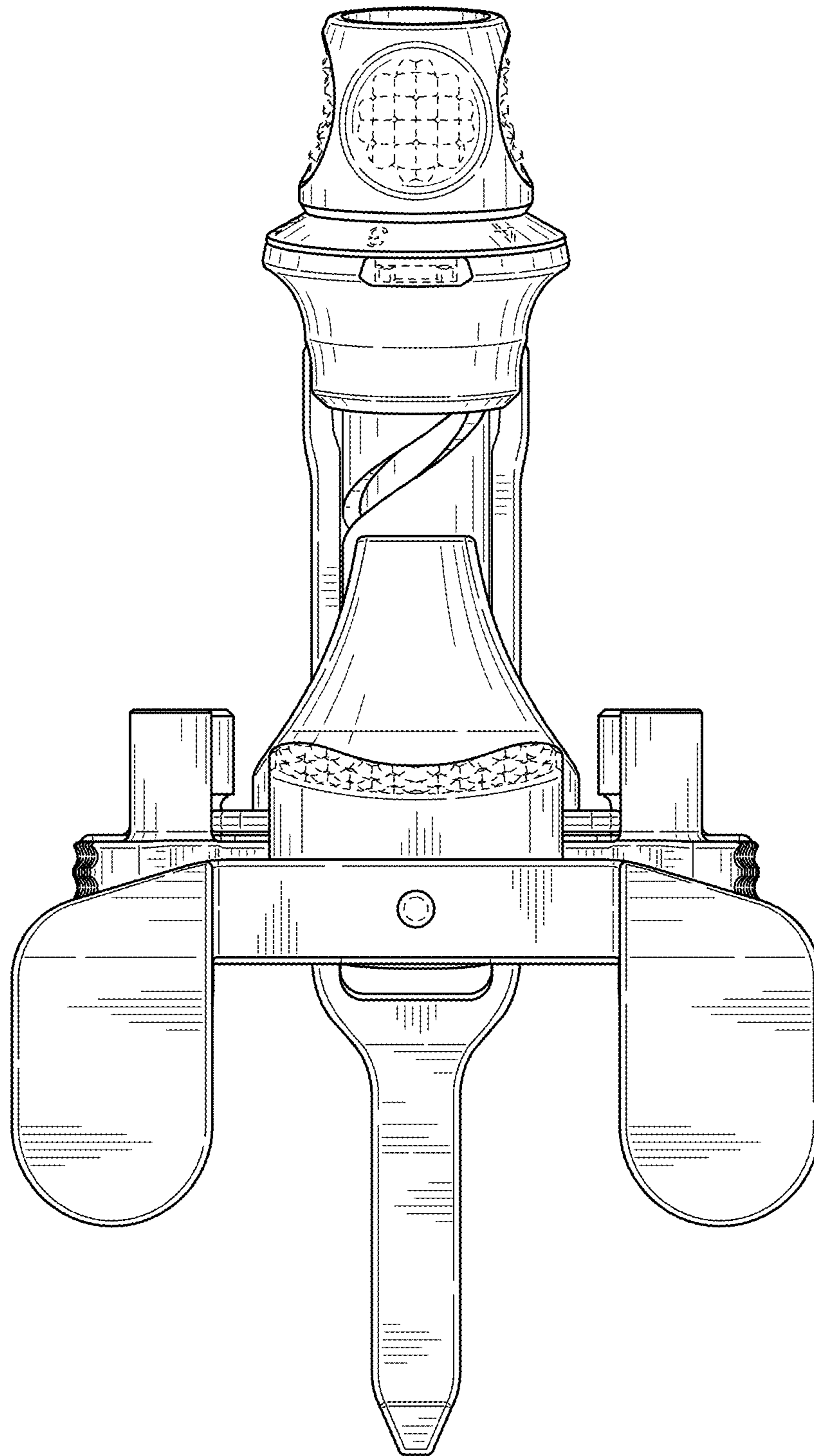


FIG. 4

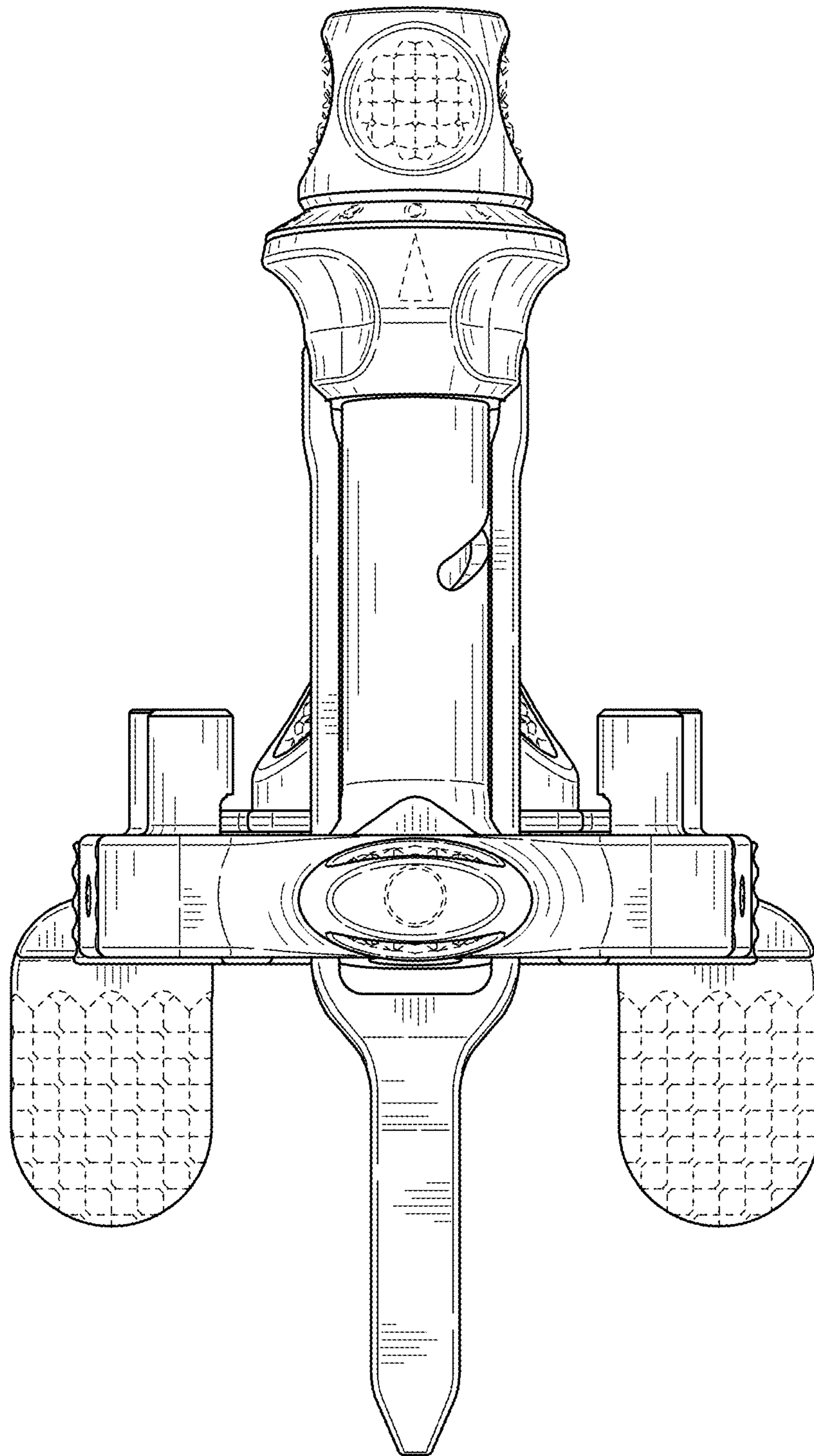


FIG. 5

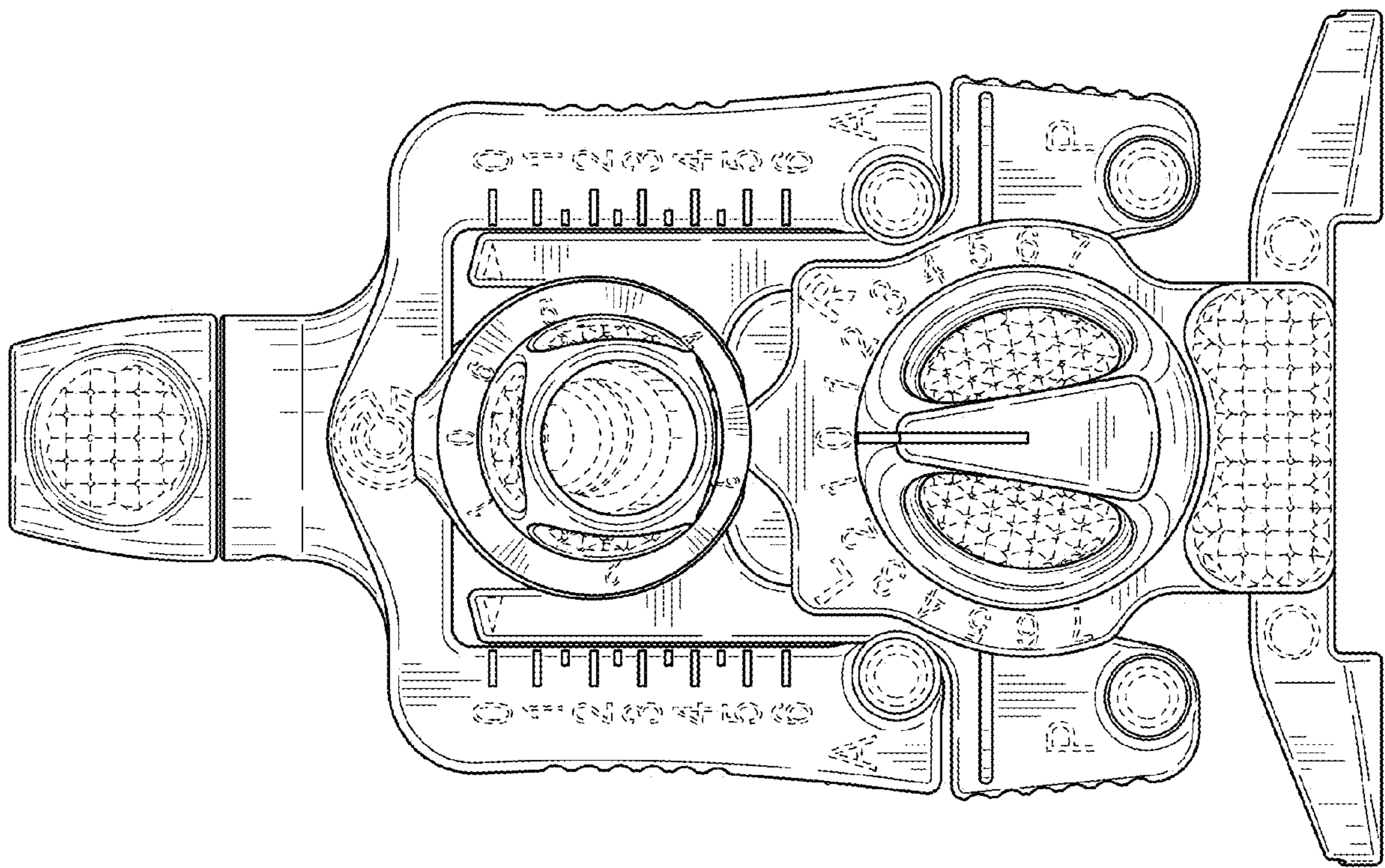


FIG. 6

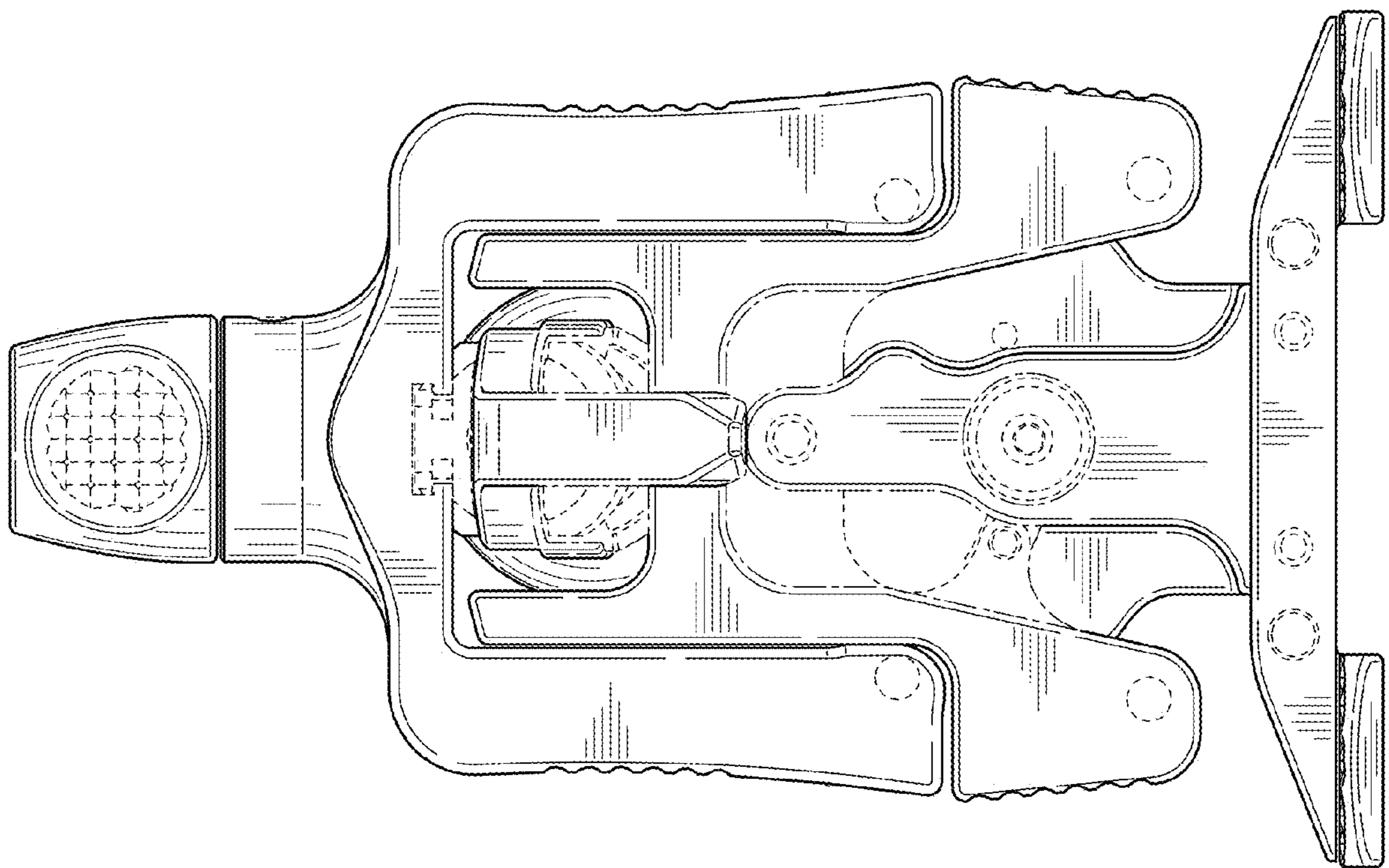


FIG. 7