



US00D876623S

(12) **United States Design Patent**
Yang

(10) **Patent No.:** **US D876,623 S**

(45) **Date of Patent:** **** Feb. 25, 2020**

(54) **NECK CARE AND WRINKLE ELIMINATION INSTRUMENT**

(71) Applicant: **Yufeng Yang**, Heilongjiang (CN)

(72) Inventor: **Yufeng Yang**, Heilongjiang (CN)

(**) Term: **15 Years**

(21) Appl. No.: **29/598,426**

(22) Filed: **Mar. 25, 2017**

(51) **LOC (12) Cl.** **24-02**

(52) **U.S. Cl.**
USPC **D24/133**

(58) **Field of Classification Search**
USPC D24/133, 214, 209, 200, 206, 207, 211,
D24/212, 213; D8/4, 29.1, 29.2, 30, 31,
D8/39
CPC A61Q 19/08; A61Q 19/00; A61Q 19/10
See application file for complete search history.

(56) **References Cited**

U.S. PATENT DOCUMENTS

D197,889 S *	4/1964	Hass	482/11
D248,666 S *	7/1978	Grube	D24/211
D439,976 S *	4/2001	Cote	D24/133
D586,469 S *	2/2009	Henry	D24/200
D642,696 S *	8/2011	Blaine	D24/200
D673,284 S *	12/2012	Lowsky	D24/214

D726,840 S *	4/2015	Lorelli	D21/662
D756,527 S *	5/2016	Cole	D24/200
D761,490 S *	7/2016	Hollinger	D24/133
D770,635 S *	11/2016	Cole	D24/200
D773,676 S *	12/2016	Guffer	D24/200
D795,498 S *	8/2017	Hollinger	D24/133
D831,835 S *	10/2018	Cole	D24/200
D845,496 S *	4/2019	Cole	D24/200
D847,364 S *	4/2019	Lee	D24/215

* cited by examiner

Primary Examiner — Eliza Z Bennett-Hattan

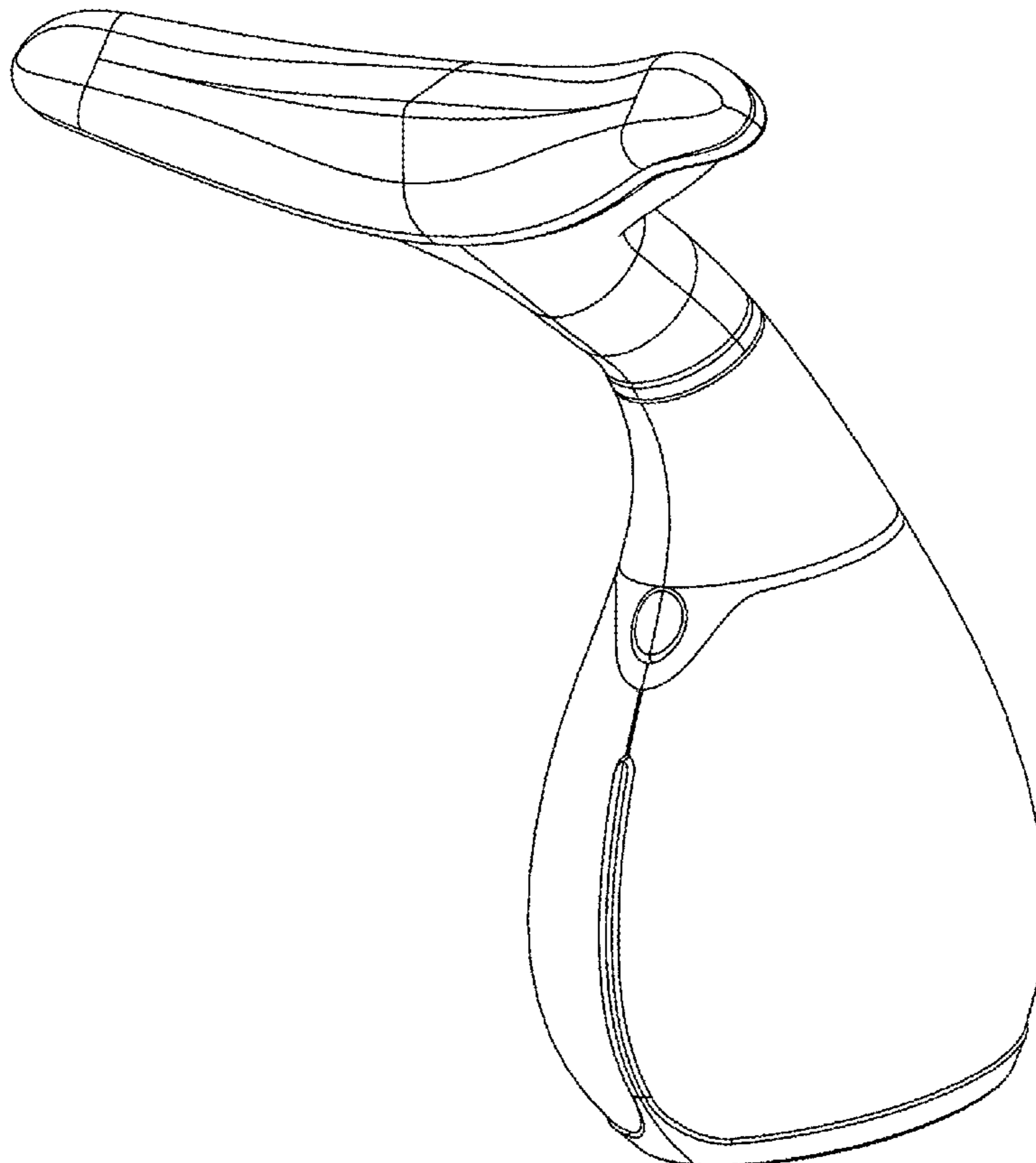
(57) **CLAIM**

The ornamental design for neck care and wrinkle elimination instrument, as shown and described.

DESCRIPTION

FIG. 1 is a perspective view of neck care and wrinkle elimination instrument showing my new design; FIG. 2 is a front elevational view thereof; FIG. 3 is a rear elevational view thereof; FIG. 4 is a left side elevational view thereof; FIG. 5 is a right side elevational view thereof; FIG. 6 is a top plan view thereof; and, FIG. 7 is a bottom plan view thereof. The broken lines in the drawing directly adjacent solid lines represent the unclaimed boundary of the claim, all other broken lines depict unclaimed portions of the neck and wrinkle elimination instrument only and form no part of the claimed design.

1 Claim, 7 Drawing Sheets



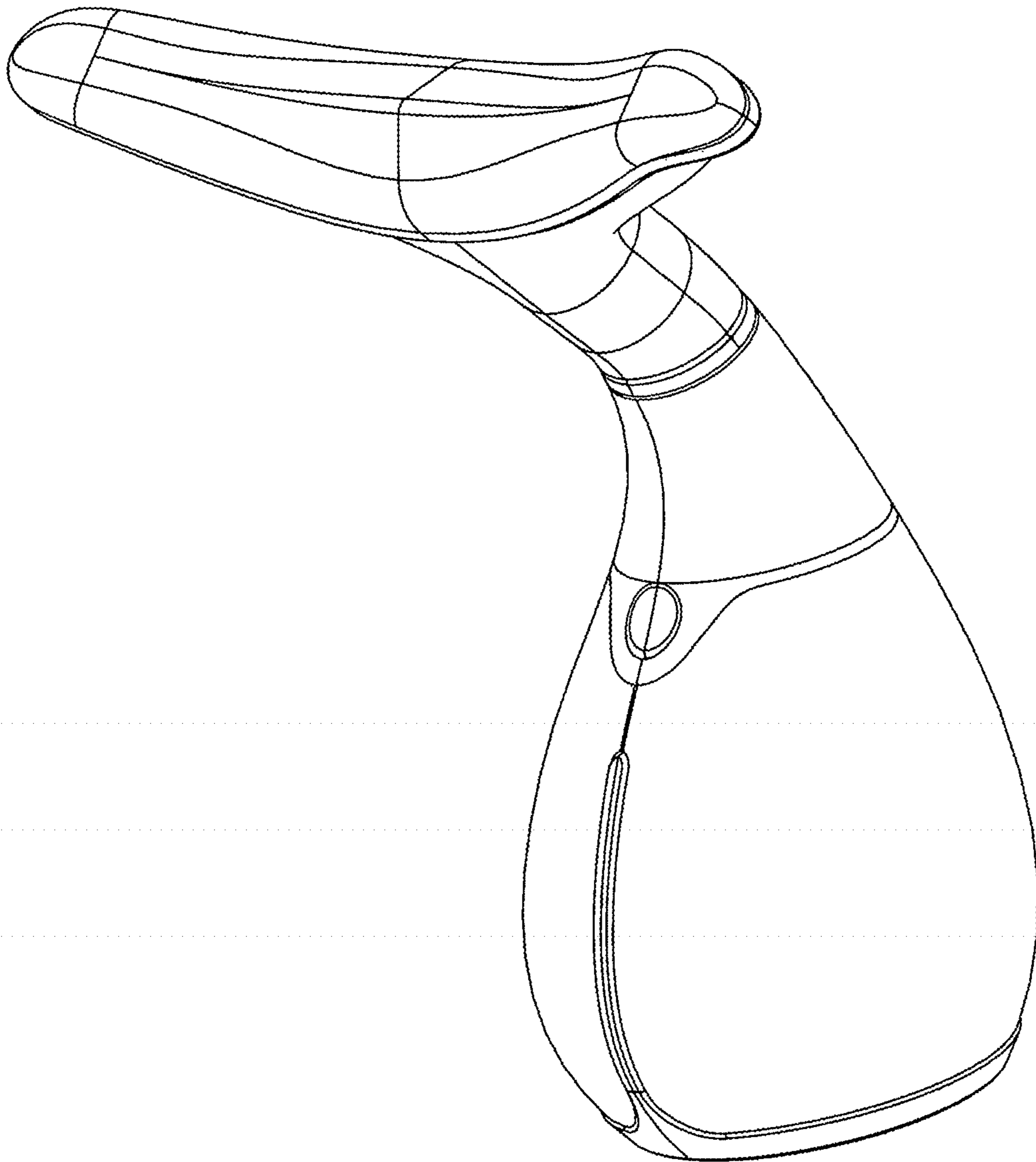


FIG. 1

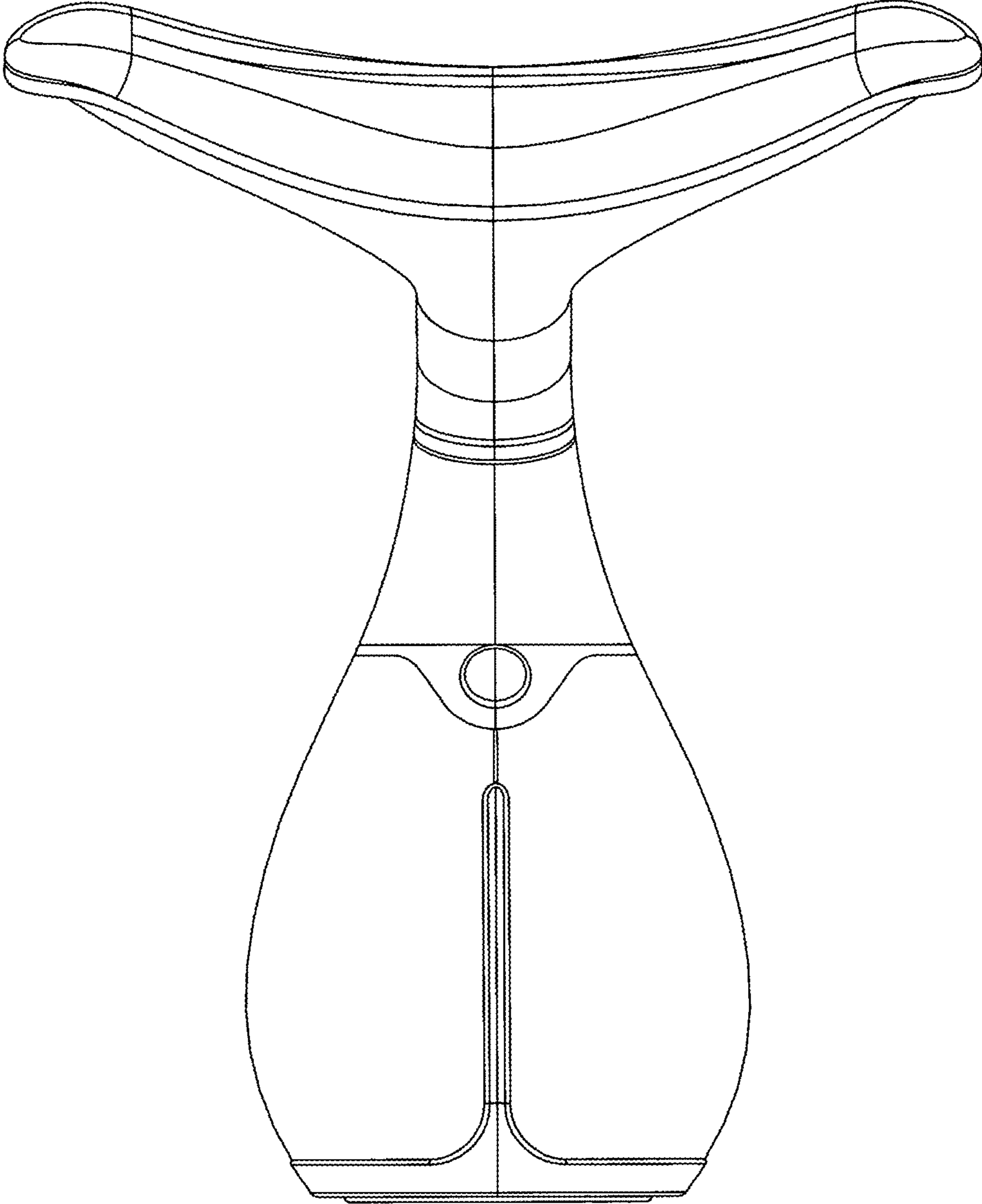


FIG. 2

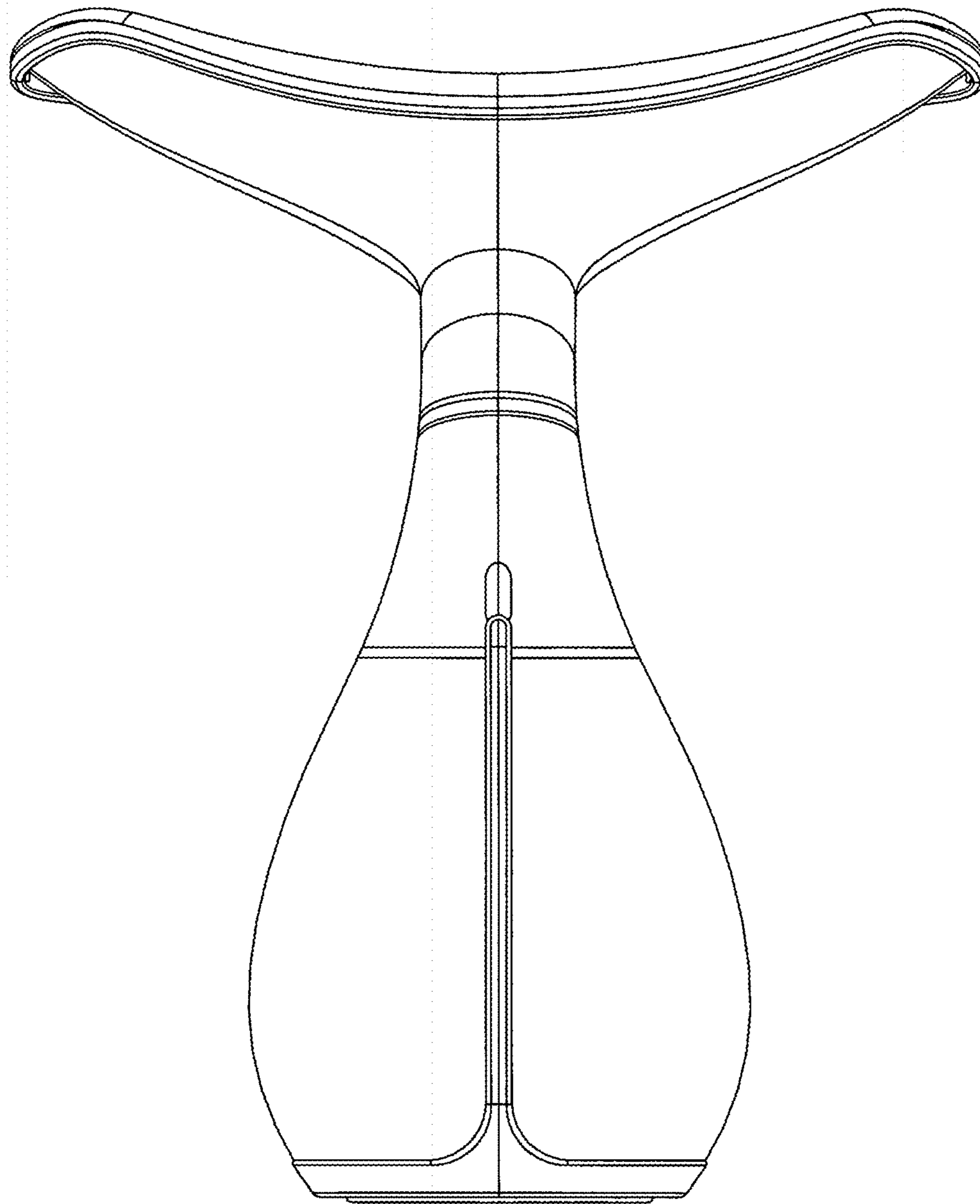


FIG. 3

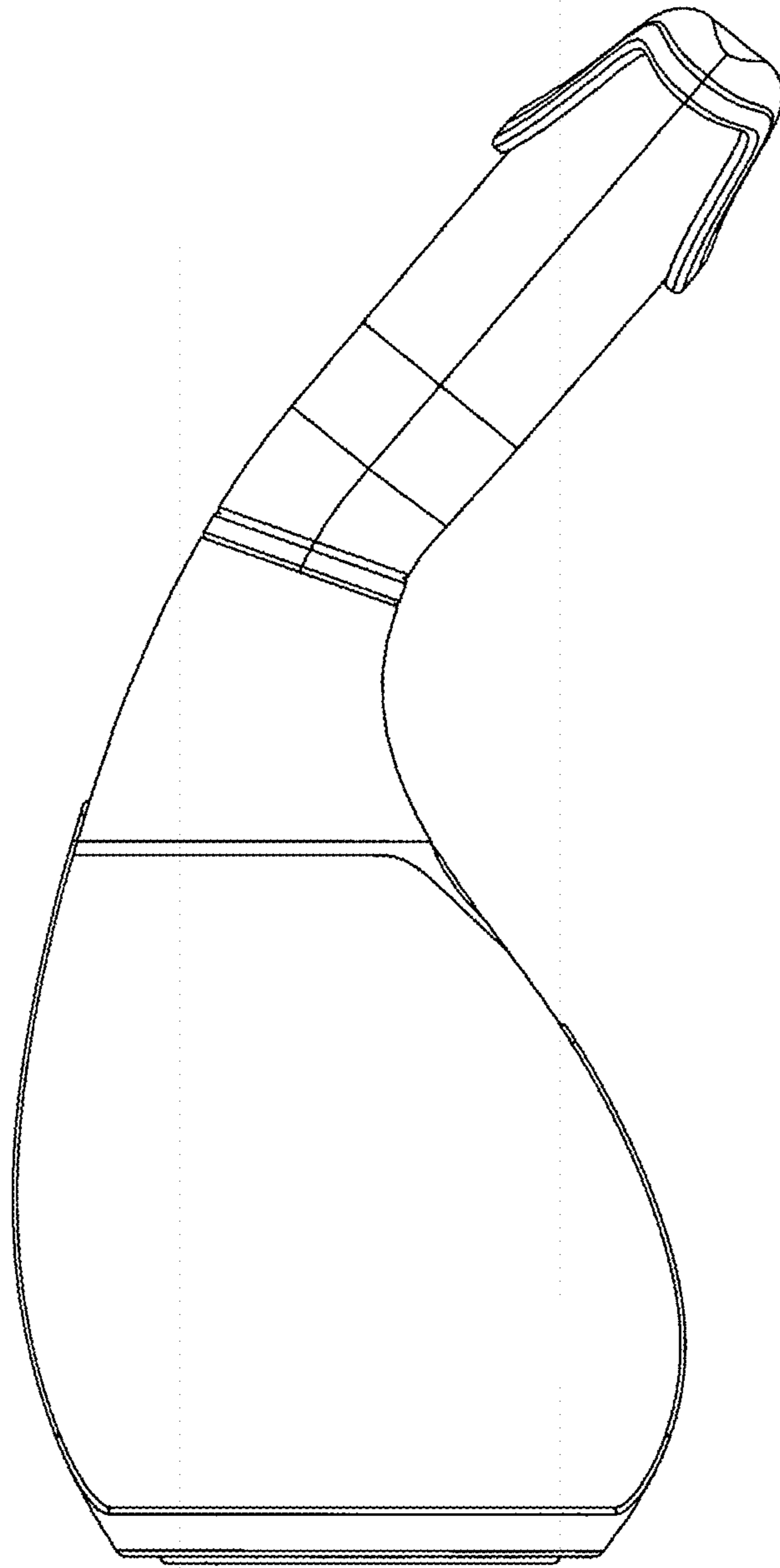


FIG. 4

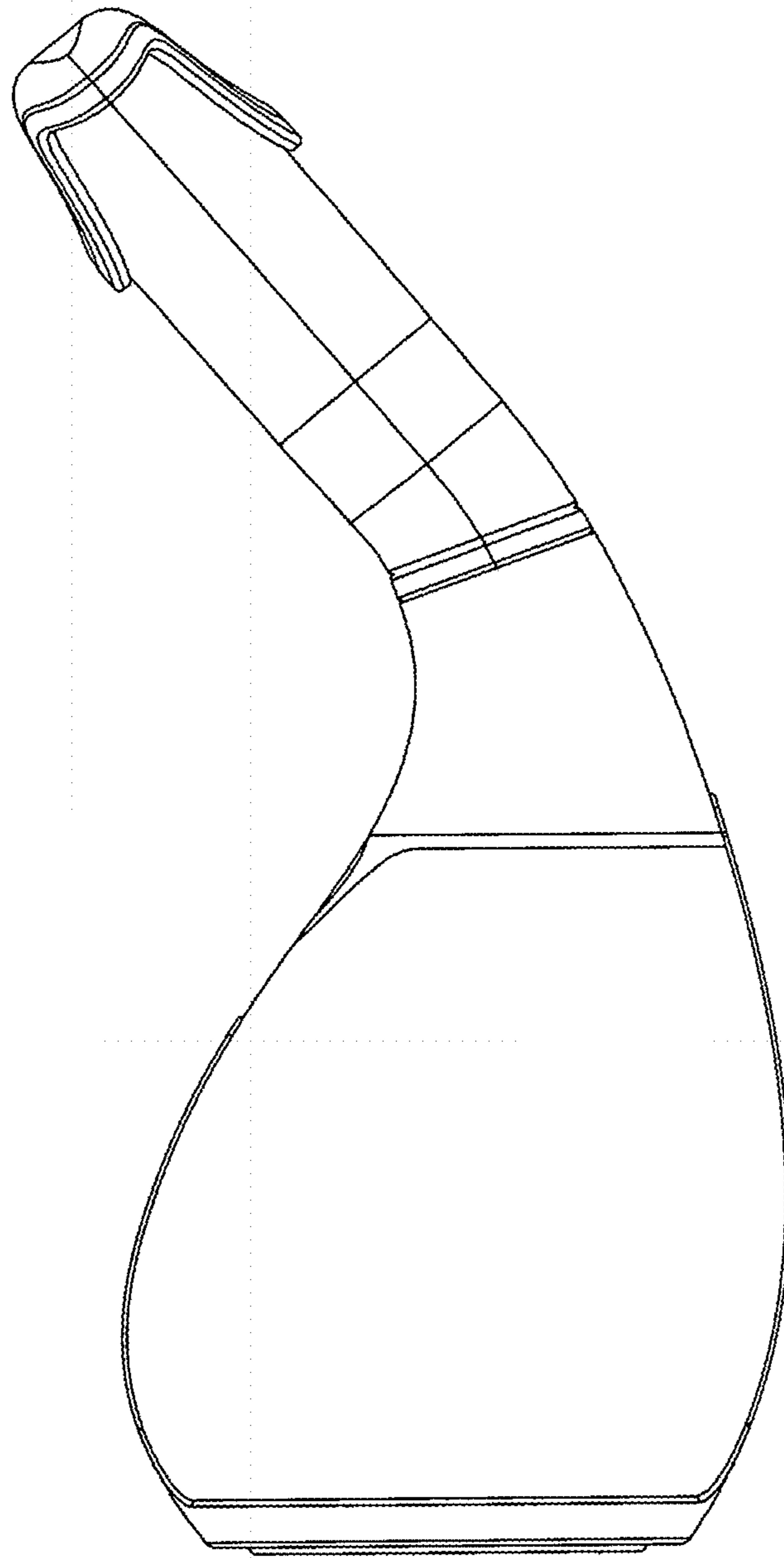


FIG. 5

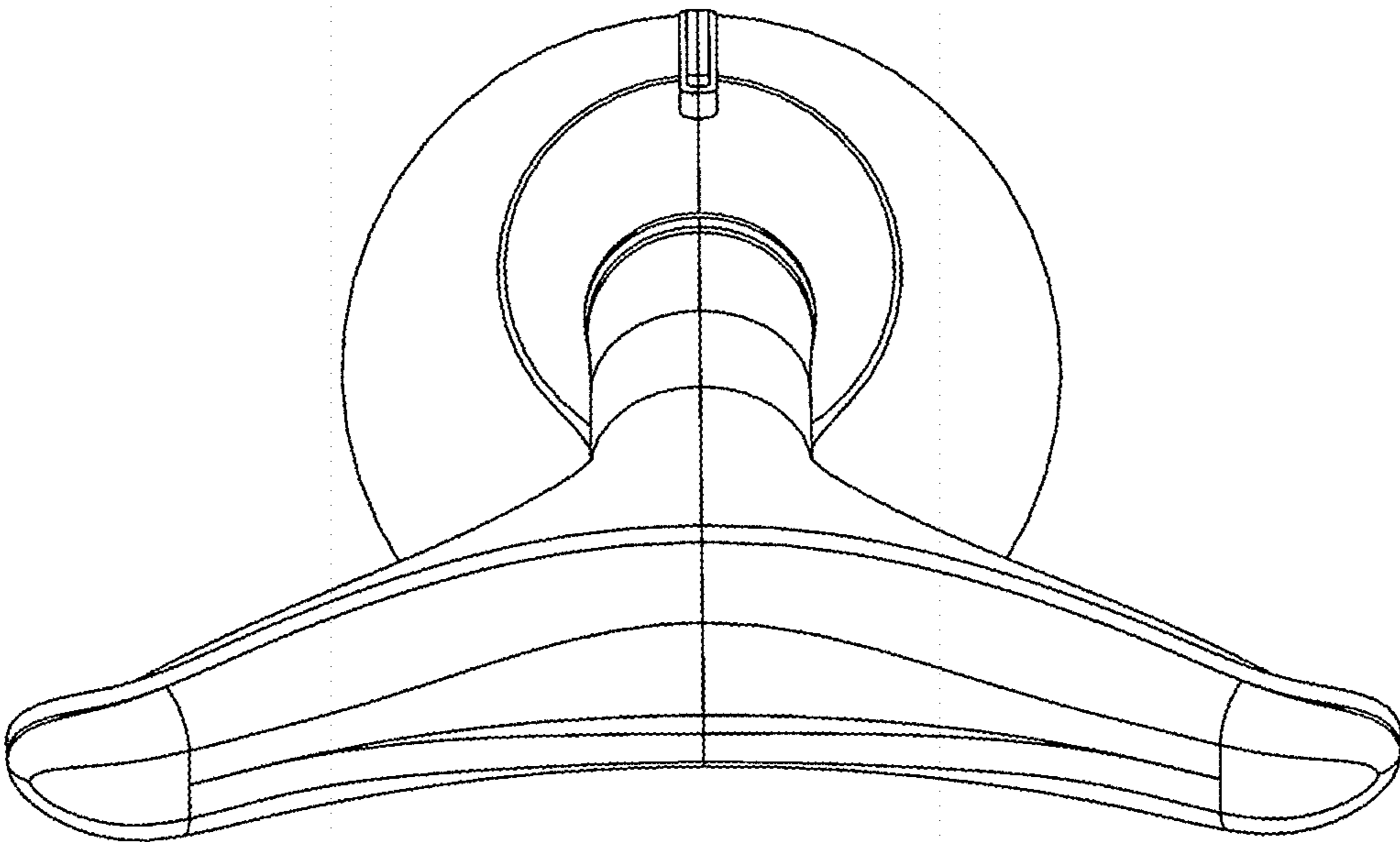


FIG. 6

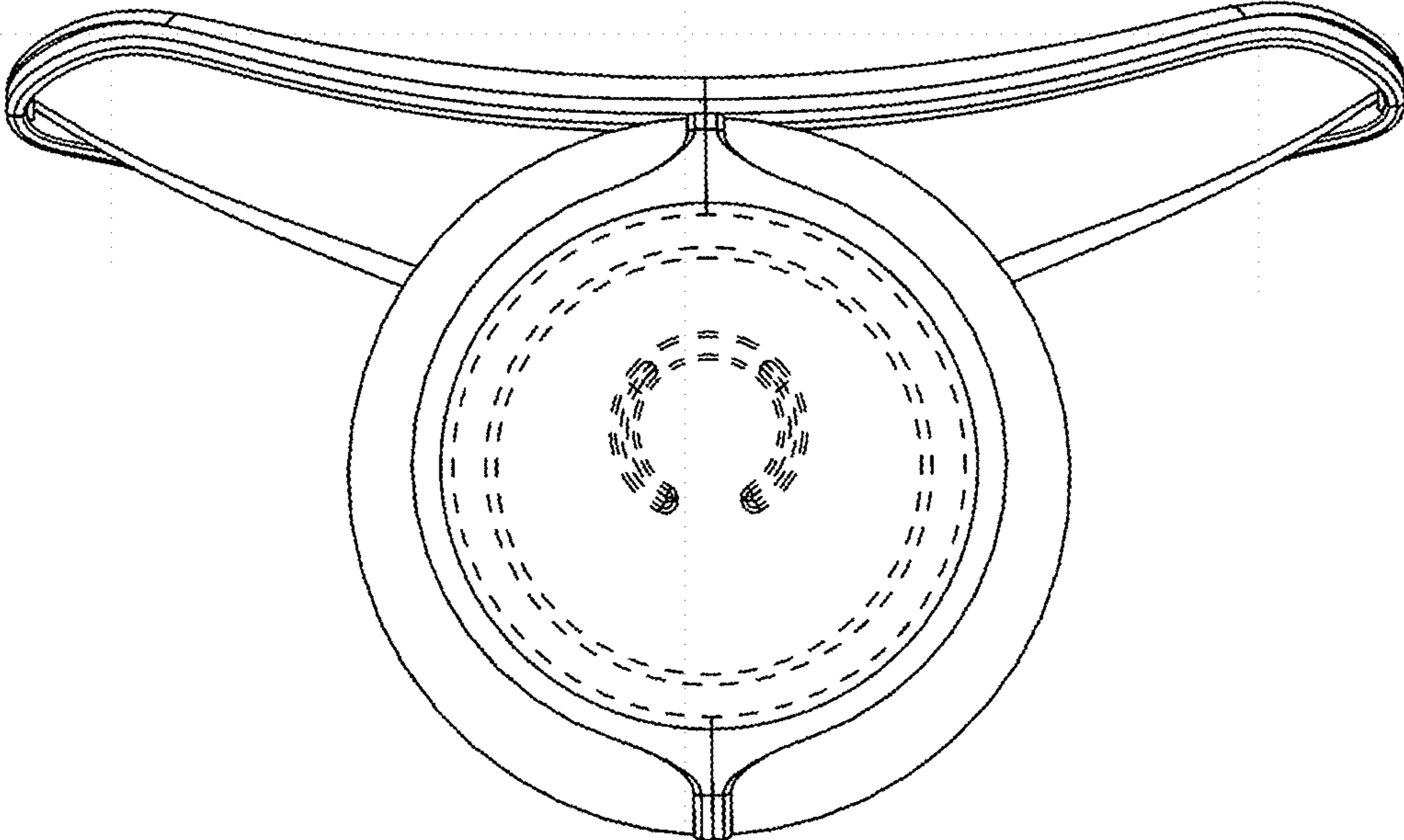


FIG. 7