



US00D876622S

(12) **United States Design Patent**
Lampropoulos

(10) **Patent No.:** **US D876,622 S**

(45) **Date of Patent:** **** Feb. 25, 2020**

(54) **HIGH PRESSURE MECHANICALLY ASSISTED DEVICE HANDLE**

(71) Applicant: **Merit Medical Systems, Inc.**, South Jordan, UT (US)

(72) Inventor: **Fred Lampropoulos**, Salt Lake City, UT (US)

(73) Assignee: **Merit Medical Systems, Inc.**, South Jordan, UT (US)

(**) Term: **15 Years**

(21) Appl. No.: **29/578,120**

(22) Filed: **Sep. 19, 2016**

(51) **LOC (12) Cl.** **24-02**

(52) **U.S. Cl.**
USPC **D24/130**

(58) **Field of Classification Search**
USPC D24/127-131, 112-114, 133, 186; 606/181, 185; 604/97.03, 98.01, 99.01, 604/264, 272, 115, 232, 187, 158, 164.08, 604/192, 263, 163, 181, 184, 198, 227; 600/101, 139, 143; 128/200.24, 207.14, 128/207.15

CPC .. A61M 25/065; A61M 5/42; A61M 25/0612; A61M 25/00; A61M 39/00; A61M 27/00; A61M 25/0043; A61M 25/0067; A61M 25/0097; A61F 2/958

See application file for complete search history.

(56) **References Cited**

U.S. PATENT DOCUMENTS

- 4,919,121 A 4/1990 Rydell et al.
- 5,011,476 A 4/1991 Foster
- 5,047,015 A 9/1991 Foote et al.
- 5,057,078 A 10/1991 Foote et al.
- 5,163,904 A 11/1992 Lampropoulos et al.

5,168,757 A * 12/1992 Rabenau A61M 25/1018 604/100.02

5,209,732 A 5/1993 Lampropoulos et al.

5,279,563 A * 1/1994 Brucker A61M 25/10184 604/100.03

5,306,248 A * 4/1994 Barrington F16H 25/2025 604/211

(Continued)

FOREIGN PATENT DOCUMENTS

CA 2049067 9/1998
EP 0565045 A1 10/1993

(Continued)

OTHER PUBLICATIONS

European Search Report dated Sep. 15, 2016 for EP12782669.1.

(Continued)

Primary Examiner — David G Muller

(74) *Attorney, Agent, or Firm* — Stoel Rives LLP

(57) **CLAIM**

The ornamental design for a high pressure mechanically assisted device handle, as shown and described.

DESCRIPTION

FIG. 1 is a perspective view of a high pressure mechanically assisted device handle, lined for the colors green and gray.

FIG. 2 is a second perspective view thereof.

FIG. 3 is a front view thereof.

FIG. 4 is a back view thereof.

FIG. 5 is a left side view thereof.

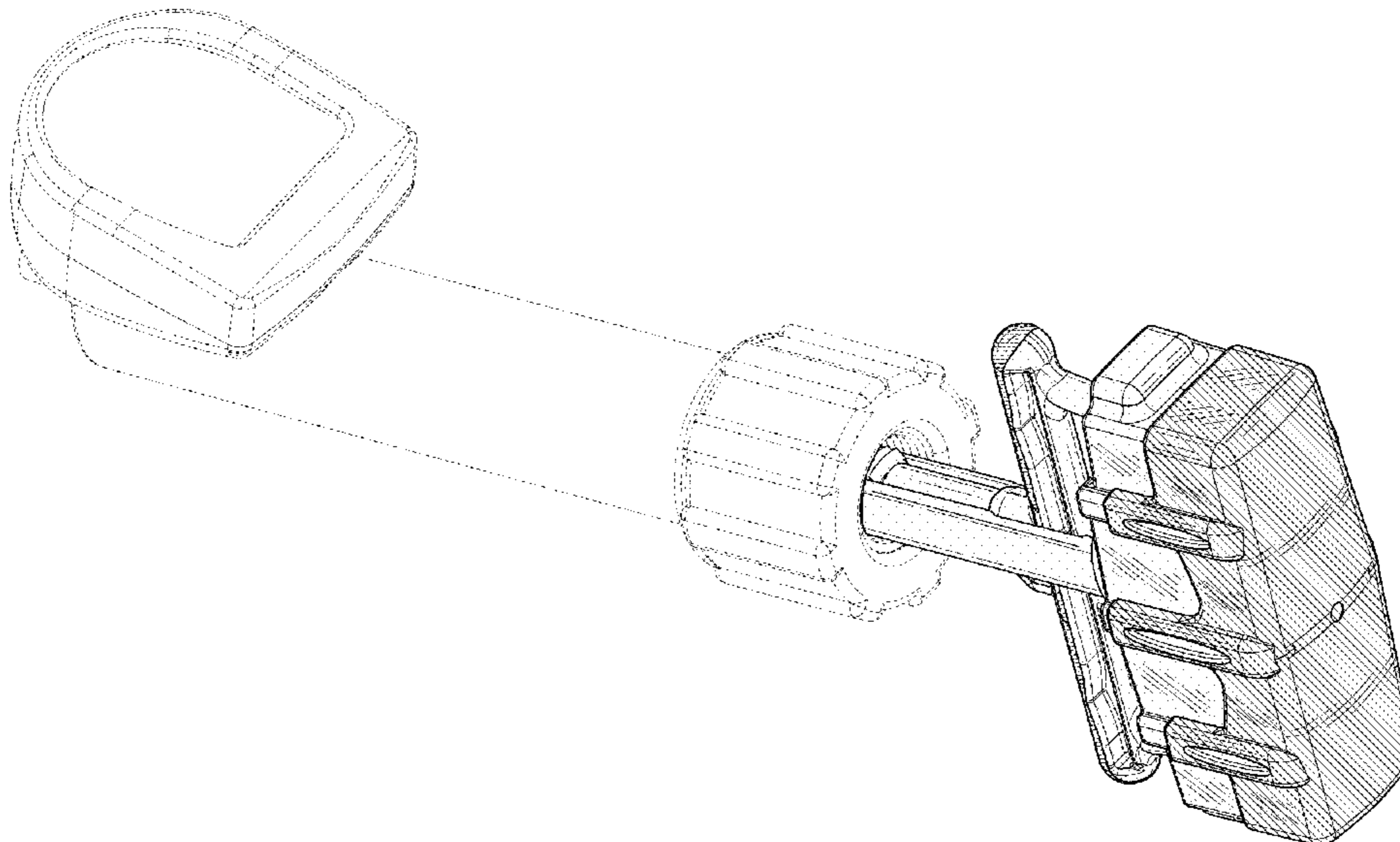
FIG. 6 is a right side view thereof.

FIG. 7 is a top view thereof; and,

FIG. 8 is a bottom view thereof.

The broken line showing parts of the drawings is included for the purpose of illustrating use and environment and forms no part of the claimed design.

1 Claim, 6 Drawing Sheets



(56)

References Cited

U.S. PATENT DOCUMENTS

5,336,183 A * 8/1994 Greelis A61M 25/1018
604/100.01
5,425,713 A 1/1995 Taylor et al.
5,453,091 A 9/1995 Taylor et al.
5,507,727 A 4/1996 Crainich
5,554,132 A * 9/1996 Straits A61M 5/31511
604/187
5,571,133 A * 11/1996 Yoon A61B 17/3494
604/164.01
D376,357 S * 12/1996 Ferland D14/428
5,609,604 A * 3/1997 Schwemberger .. A61B 17/3417
604/164.01
5,674,237 A * 10/1997 Ott A61B 17/3496
604/264
5,713,242 A 2/1998 Kanner et al.
D401,324 S 11/1998 Hjertman et al.
6,050,972 A 4/2000 Zadno-Azizi et al.
6,106,496 A 8/2000 Arnissolle
D489,456 S * 5/2004 Groenke D24/133
6,796,959 B2 * 9/2004 Davis F16H 25/2025
604/97.03
6,936,034 B2 8/2005 Watkins
D545,429 S 6/2007 Hayes
D547,841 S 7/2007 Ziemann
7,351,223 B2 * 4/2008 Call A61M 5/486
604/97.03
7,530,970 B2 5/2009 McArthur et al.
7,892,202 B2 2/2011 Lampropoulos et al.
8,118,776 B2 2/2012 Lampropoulos et al.
8,137,307 B2 3/2012 Tennican et al.
D661,389 S 6/2012 Morgan et al.
D667,950 S 9/2012 Hyun et al.
D683,452 S * 5/2013 Davies D24/144
8,506,572 B2 8/2013 Evans et al.
D690,417 S 9/2013 Solomon
8,545,442 B2 10/2013 Lampropoulos et al.
D710,496 S 8/2014 Stevens et al.
D726,311 S 4/2015 Lampropoulos et al.
D731,054 S 6/2015 Lampropoulos et al.
2010/0116360 A1 5/2010 Kanner et al.
2010/0168677 A1 7/2010 Gabriel et al.

2011/0046604 A1 2/2011 Felsovalyi et al.
2013/0123693 A1 5/2013 Lampropoulos et al.
2015/0051543 A1 2/2015 Chadwick et al.

FOREIGN PATENT DOCUMENTS

KR 1020110025578 10/2011
KR 1020130047657 8/2013
WO 199011101 10/1990
WO 199744077 11/1997
WO 2015023923 A1 2/2015

OTHER PUBLICATIONS

Extended European Search Report dated Jul. 15, 2015 for EP12782669.
1.
International Search Report and Written Opinion dated Aug. 17, 2012 for PCT/US2012/036473.
International Search Report and Written Opinion dated Nov. 19, 2014 for PCT/US2014/051219.
Notice of Allowance dated Jan. 12, 2015 for U.S. Appl. No. 29/424,608.
Notice of Allowance dated Mar. 4, 2015 for U.S. Appl. No. 29/424,608.
Notice of Allowance dated Mar. 13, 2015 for U.S. Appl. No. 29/430,061.
Notice of Allowance dated Apr. 4, 2014 for U.S. Appl. No. 29/405,006.
Notice of Allowance dated Aug. 7, 2013 for U.S. Appl. No. 13/464,046.
Office Action dated Jan. 2, 2015 for U.S. Appl. No. 29/430,061.
Office Action dated Apr. 12, 2013 for U.S. Appl. No. 13/464,046.
Office Action dated Jul. 11, 2016 for U.S. Appl. No. 13/970,292.
Office Action dated Aug. 28, 2014 for U.S. Appl. No. 29/424,608.
Office Action dated Dec. 20, 2013 for U.S. Appl. No. 29/405,006.
Office Action dated Feb. 15, 2017 for U.S. Appl. No. 13/970,292.
Office Action dated Aug. 8, 2017 for U.S. Appl. No. 13/970,292.
Notice of Allowance dated Mar. 30, 2018 for U.S. Appl. No. 13/970,272.
Office Action dated Mar. 8, 2018 for U.S. Appl. No. 15/174,680.
Office Action dated Oct. 5, 2018 for U.S. Appl. No. 15/174,680.
Office Action dated Apr. 4, 2019 for U.S. Appl. No. 15/174,680.
Office Action dated Sep. 19, 2019 for U.S. Appl. No. 15/174,680.

* cited by examiner

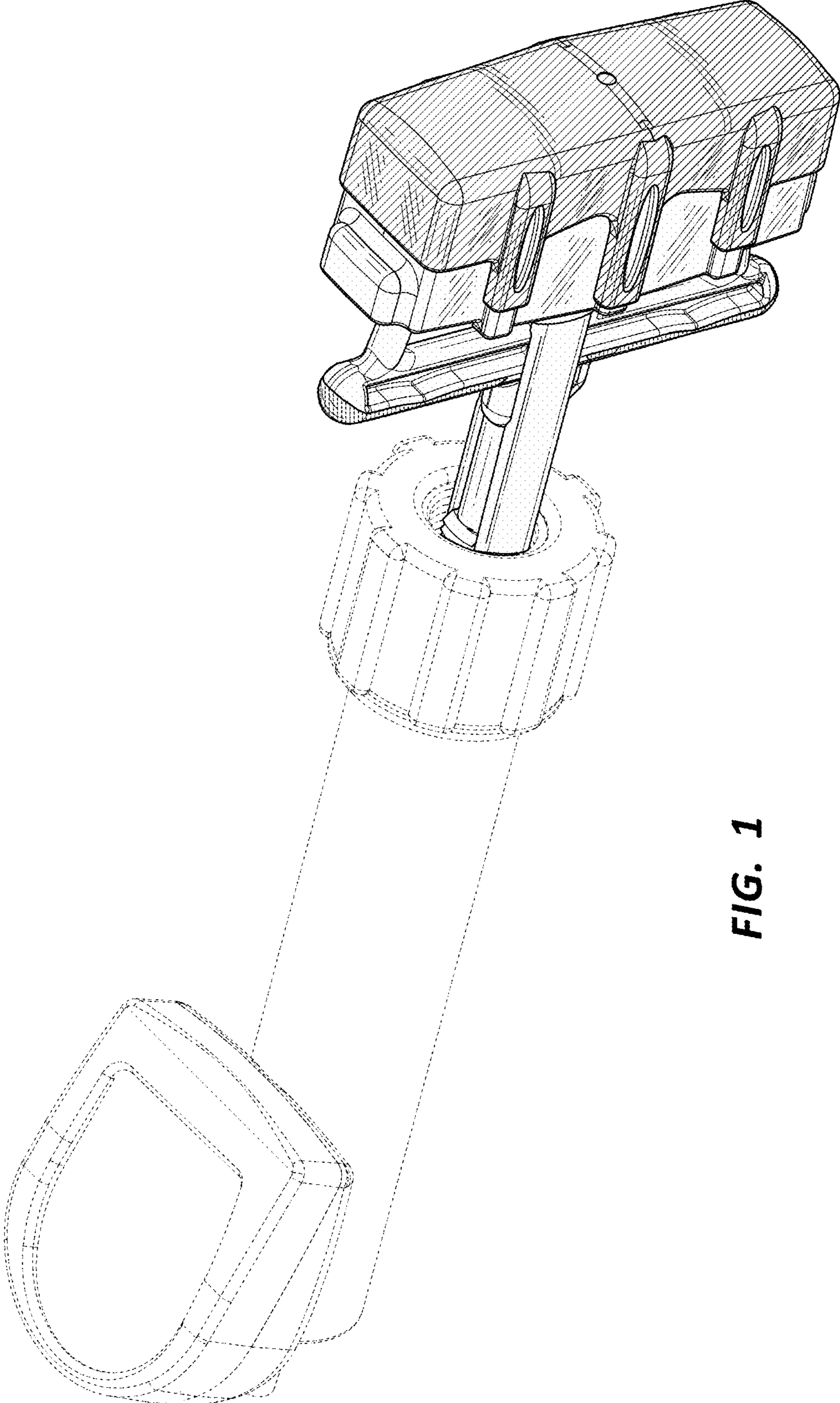


FIG. 1

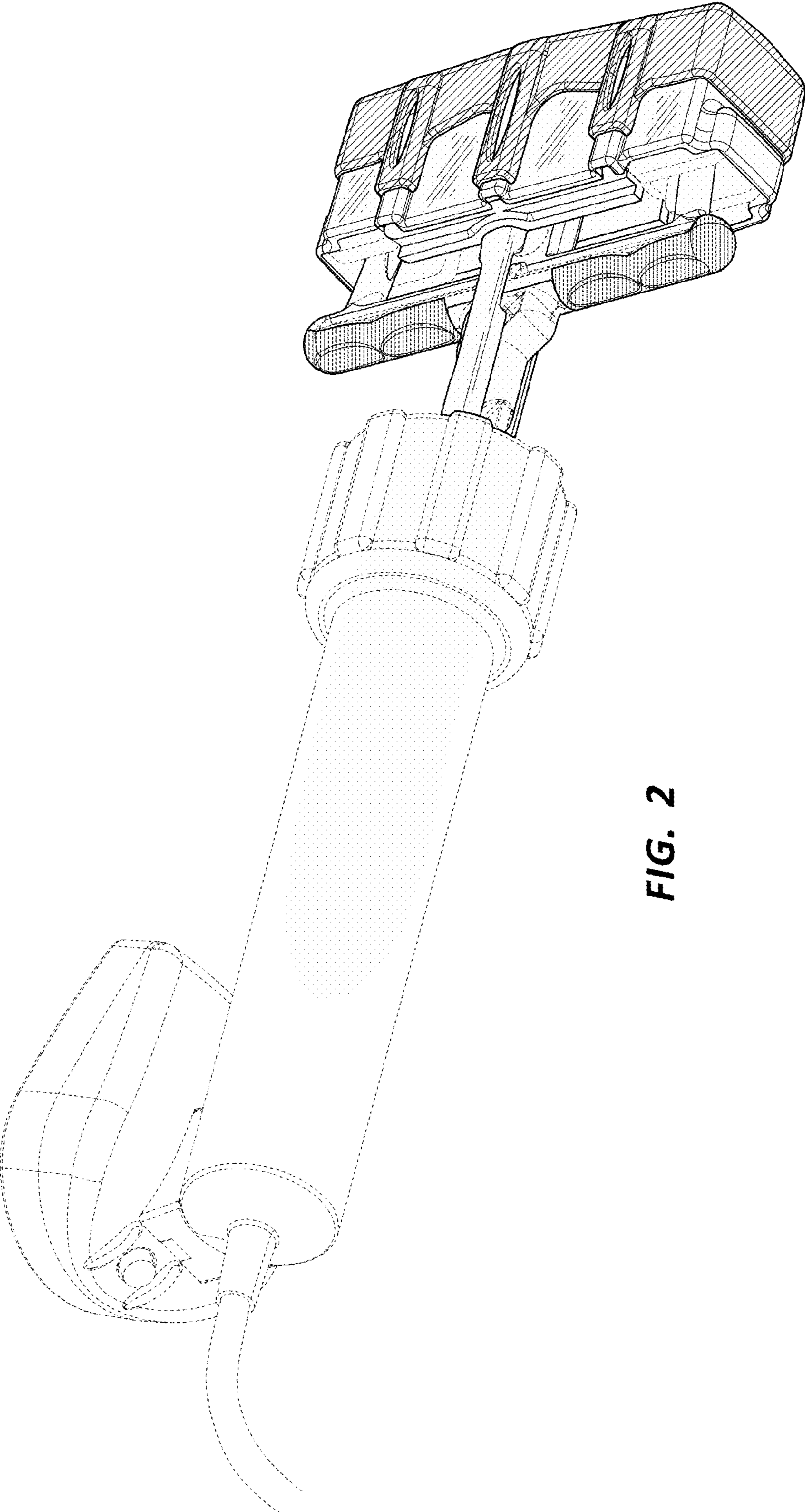


FIG. 2

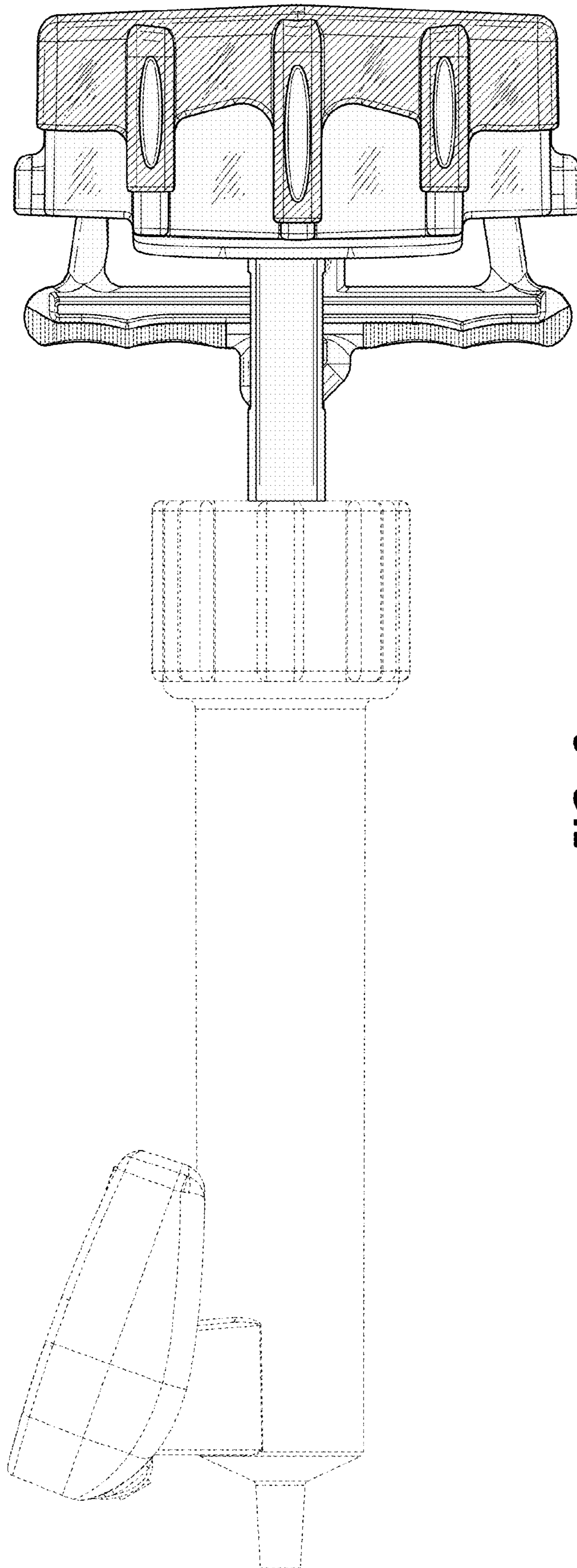


FIG. 3

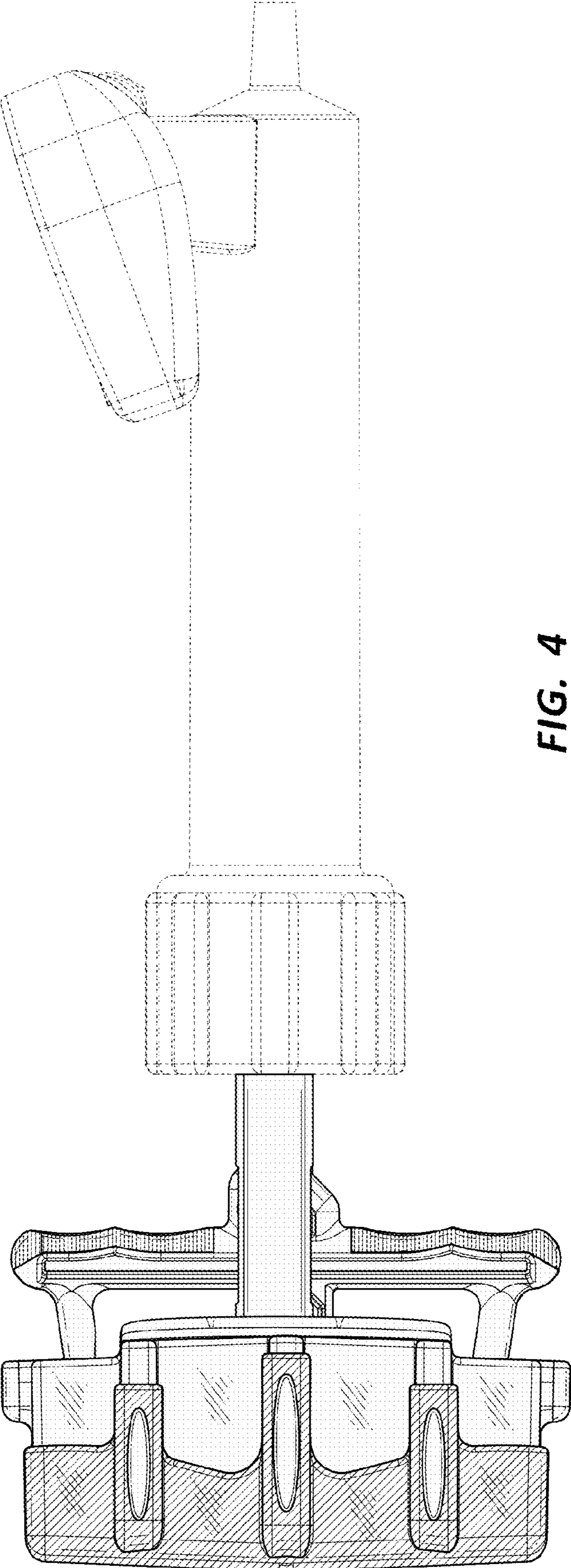


FIG. 4

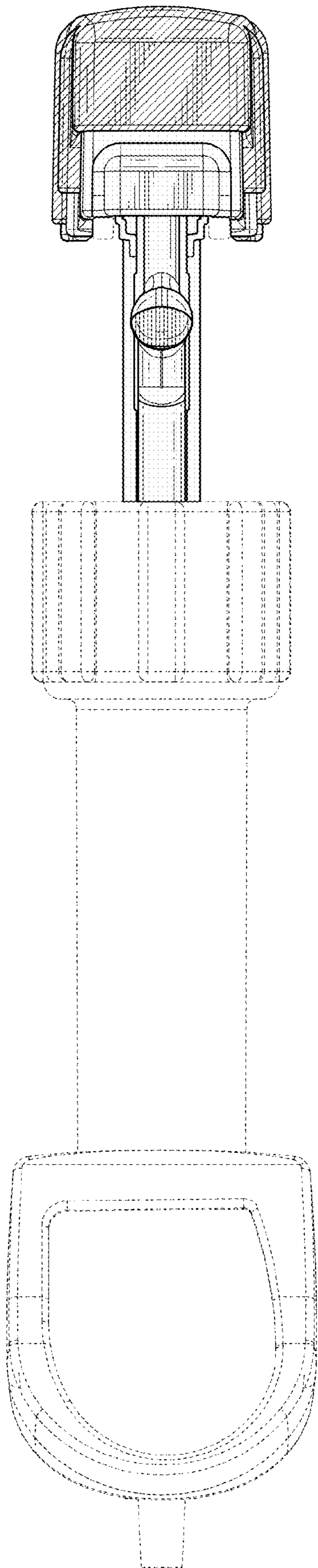


FIG. 5

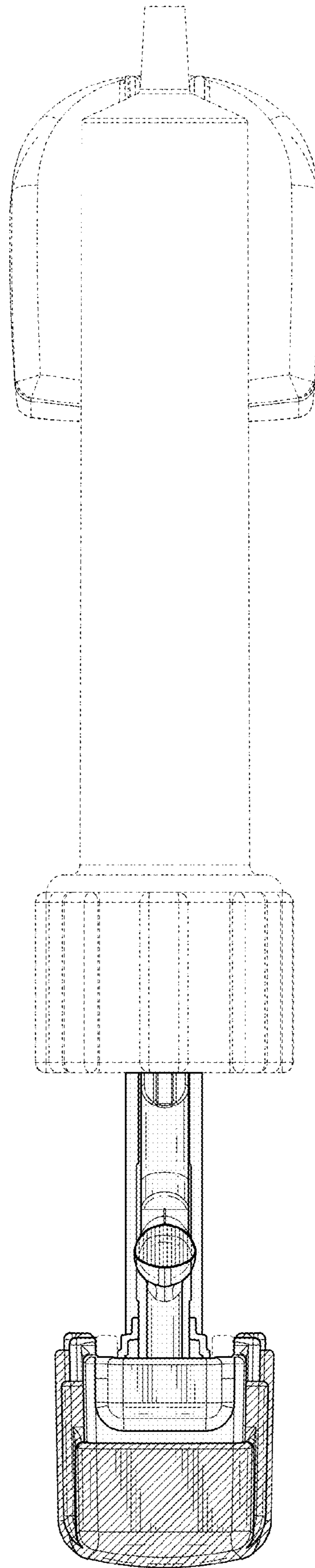


FIG. 6

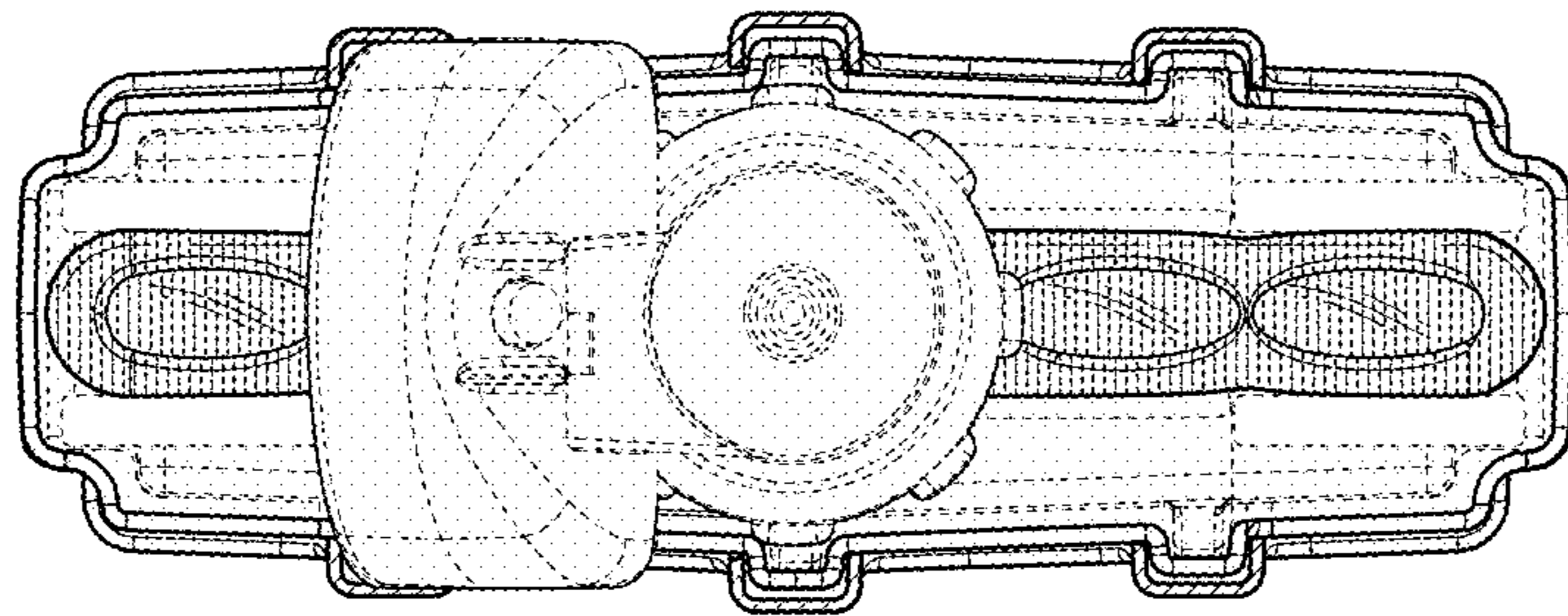


FIG. 8

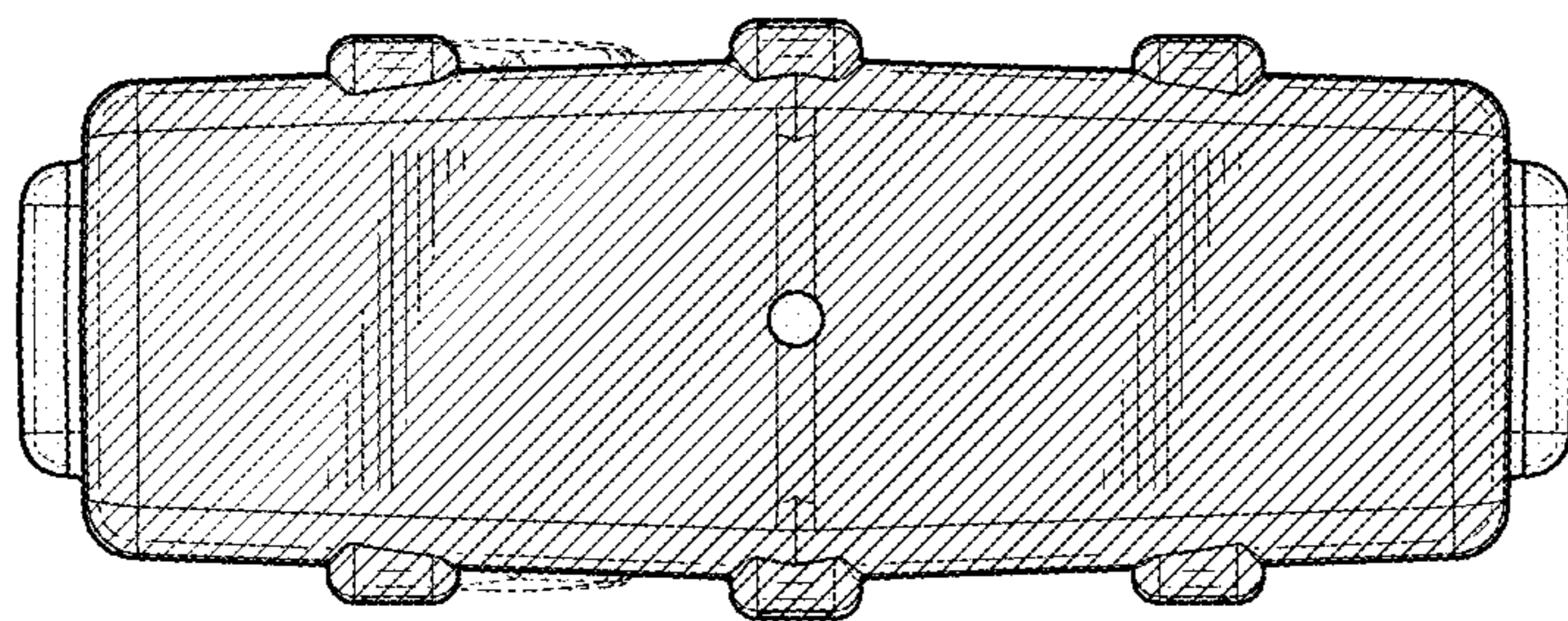


FIG. 7