



US00D876620S

(12) **United States Design Patent** (10) **Patent No.:** **US D876,620 S**
Ho (45) **Date of Patent:** **** Feb. 25, 2020**

(54) **SYRINGE**

(71) Applicant: **Stephen S Ho**, Houston, TX (US)

(72) Inventor: **Stephen S Ho**, Houston, TX (US)

(**) Term: **15 Years**

(21) Appl. No.: **29/681,035**

(22) Filed: **Feb. 21, 2019**

(51) **LOC (12) Cl.** **24-02**

(52) **U.S. Cl.**
USPC **D24/112**

(58) **Field of Classification Search**
USPC D24/112-114, 108, 130, 127, 133, 186;
606/181, 185; 604/264, 523-528, 272,
(Continued)

(56) **References Cited**

U.S. PATENT DOCUMENTS

D401,324 S * 11/1998 Hjertman D24/114
D445,176 S * 7/2001 Landers D24/108
(Continued)

Primary Examiner — David G Muller

(74) *Attorney, Agent, or Firm* — Malcolm E. Whittaker;
Whittaker Law Firm

(57) **CLAIM**

The ornamental design for a syringe, as shown and described.

DESCRIPTION

FIG. 1 illustrates a perspective view of a syringe.
FIG. 2 illustrates a partially exploded perspective view of the syringe.
FIG. 3 illustrates an exploded perspective view of the syringe.

FIG. 4 illustrates a front view of the syringe. The rear view is a mirror image.

FIG. 5 illustrates a right side view of the syringe. The left side view is a mirror image.

FIG. 6 illustrates a top view of the syringe.

FIG. 7 illustrates a bottom view of the syringe.

FIG. 8 illustrates a front view of the reservoir barrel of the syringe. The rear view is a mirror image.

FIG. 9 illustrates a right side view of the reservoir barrel of the syringe. The left side view is a mirror image.

FIG. 10 illustrates a bottom view of the reservoir barrel of the syringe.

FIG. 11 illustrates a top view of the reservoir barrel of the syringe.

FIG. 12 illustrates a front view of the plunger of the syringe. The rear view is a mirror image.

FIG. 13 illustrates a right side view of the plunger of the syringe. The left side view is a mirror image.

FIG. 14 illustrates a top view of the plunger of the syringe.

FIG. 15 illustrates a bottom view of the plunger of the syringe.

FIG. 16 illustrates a front view of a nut of the syringe. The rear view, the left view, and the right view are mirror images.

FIG. 17 illustrates a top view of the nut of the syringe.

FIG. 18 illustrates a bottom view of the nut of the syringe.

FIG. 19 illustrates a front view of a fitting of the syringe. The rear view is a mirror image.

FIG. 20 illustrates a right side view of the fitting of the syringe. The left side view is a mirror image.

FIG. 21 illustrates a bottom view of the fitting of the syringe.

FIG. 22 illustrates a top view of the fitting of the syringe.

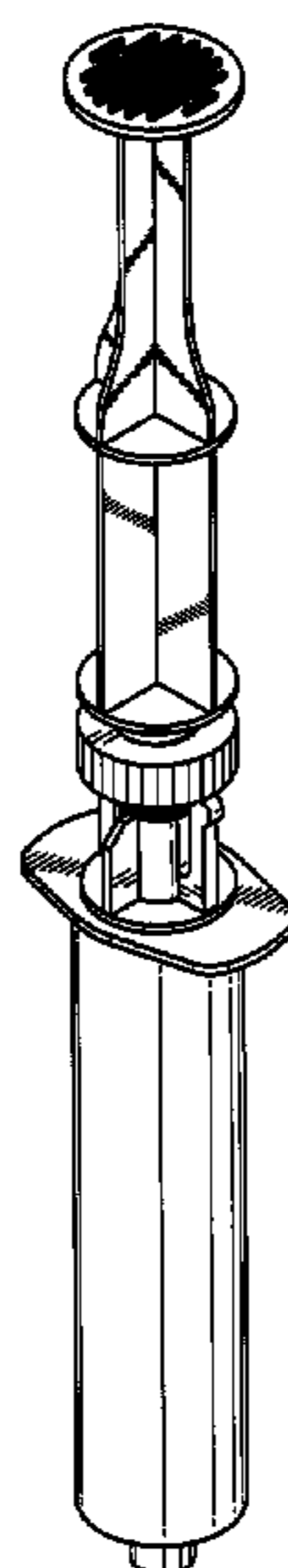
FIG. 23 illustrates a front view of a seal of the syringe. The rear view, right side view, and left side view are mirror images.

FIG. 24 illustrates a bottom view of the seal of the syringe; and,

FIG. 25 illustrates a top view of the seal of the syringe.

The broken line showing of parts of the drawings is included for the purpose of illustrating use and environment and forms no part of the claimed design.

1 Claim, 7 Drawing Sheets



US D876,620 S

Page 2

(58) **Field of Classification Search**

USPC 604/164.01–164.11, 187, 93.01; 600/101,
600/139, 143; 128/200.24, 207.14,
128/207.15
CPC .. A61M 25/065; A61M 5/42; A61M 25/0612;
A61M 25/00; A61M 39/00; A61M 27/00;
A61M 25/0043; A61M 25/0067; A61M
25/0097; A61F 2/958
See application file for complete search history.

(56)

References Cited

U.S. PATENT DOCUMENTS

6,616,639 B2 * 9/2003 Gagnieux A61M 5/326
604/192
D483,861 S * 12/2003 Law D24/112
6,729,370 B2 * 5/2004 Norton A61J 1/2096
141/329

6,936,034 B2 * 8/2005 Watkins A61M 5/3243
359/441
D578,210 S * 10/2008 Muta D24/114
D609,333 S * 2/2010 Holmes D24/114
D618,347 S * 6/2010 Bradshaw D24/108
7,976,506 B2 * 7/2011 Vitullo A61M 5/28
604/187
8,337,468 B1 * 12/2012 Reis A61M 5/3257
604/181
D689,601 S * 9/2013 Black D24/108
D741,476 S * 10/2015 Hiraoka D24/114
D755,955 S * 5/2016 Kawamura D24/112
D770,612 S * 11/2016 Green D24/114
D775,325 S * 12/2016 Larson D24/114
D830,542 S * 10/2018 Walker D24/114
D834,182 S * 11/2018 Reynolds D24/114
D837,983 S * 1/2019 Fangrow A61M 5/142
D24/146
D844,777 S * 4/2019 Combes D24/114

* cited by examiner

FIG. 1

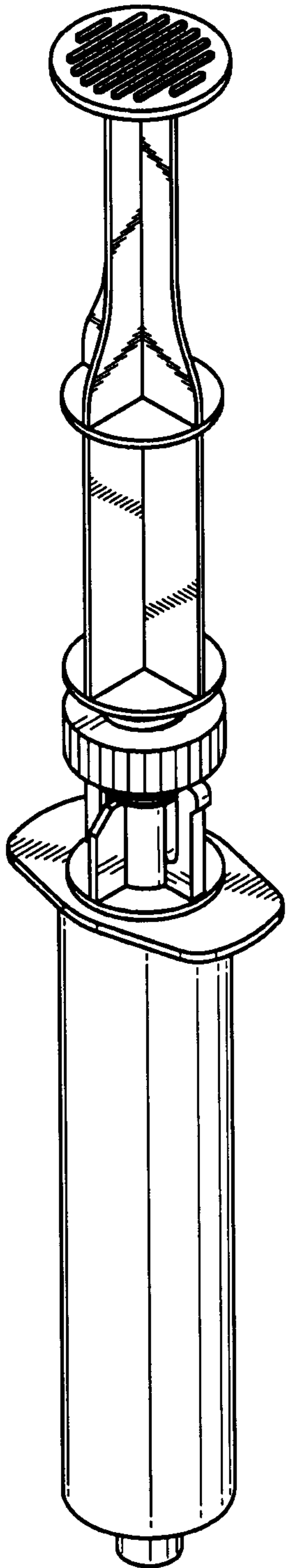
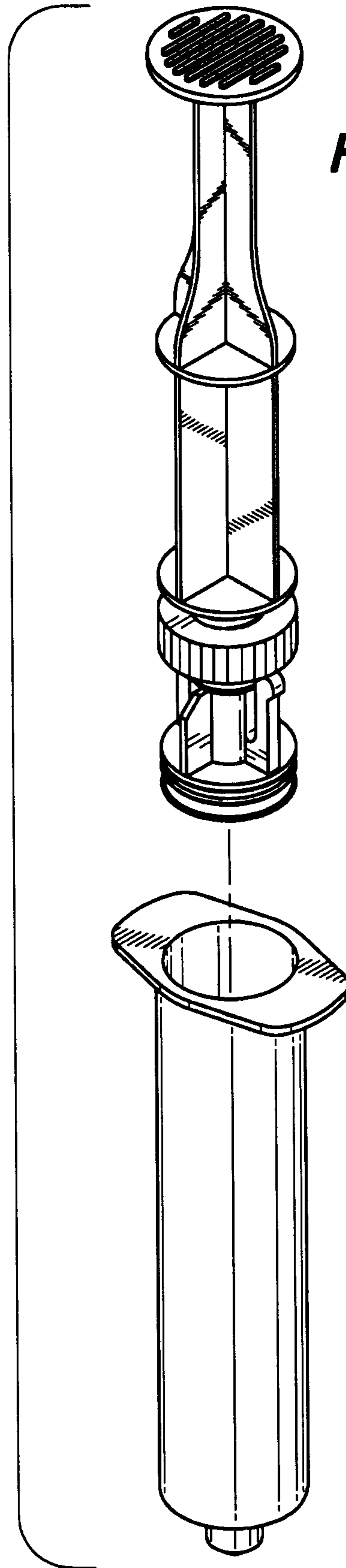


FIG. 2



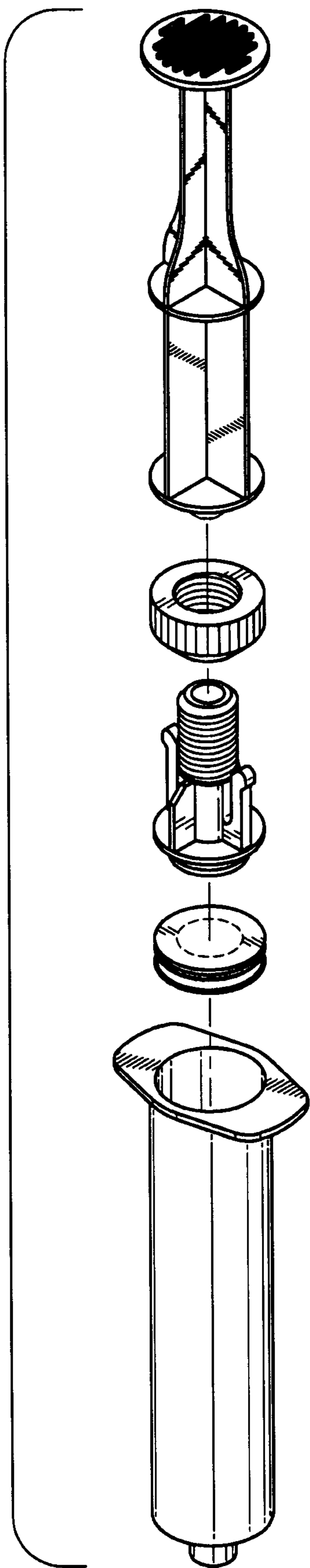


FIG. 3

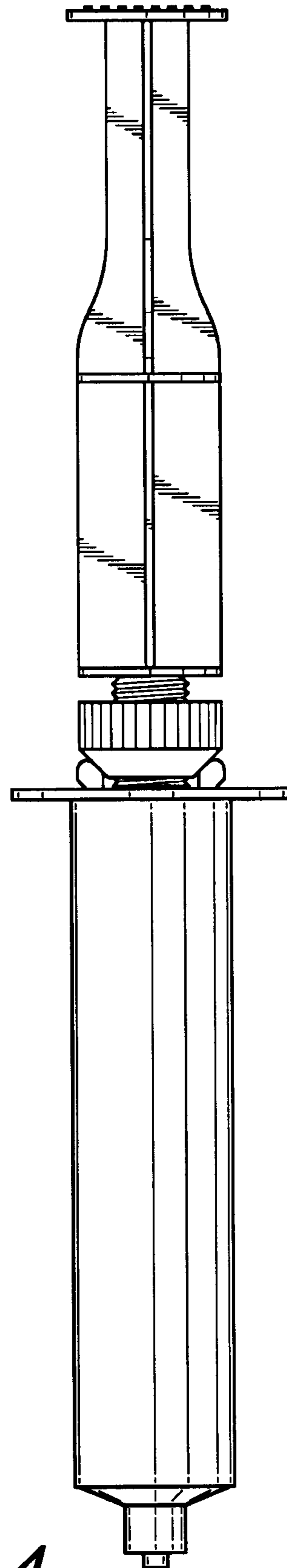


FIG. 4

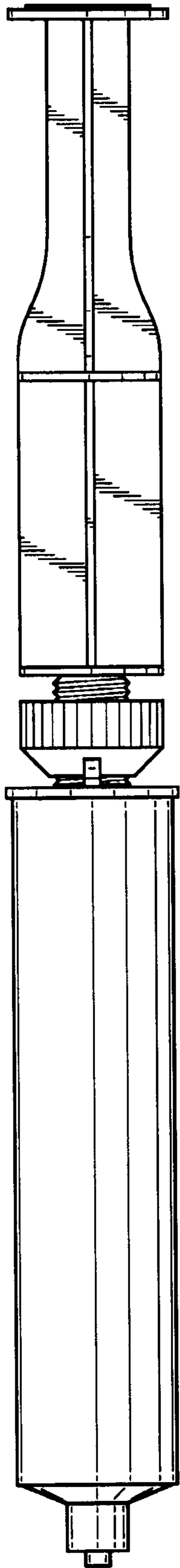


FIG. 5

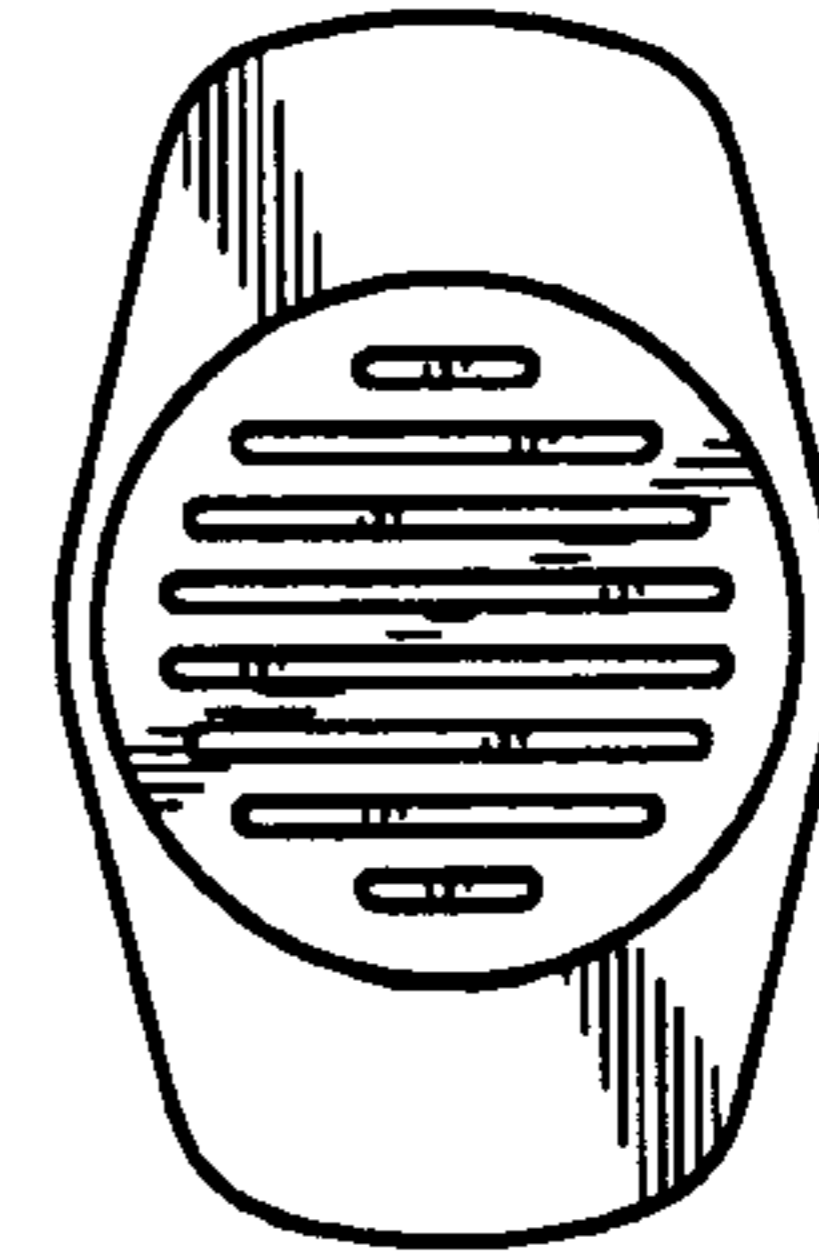


FIG. 6

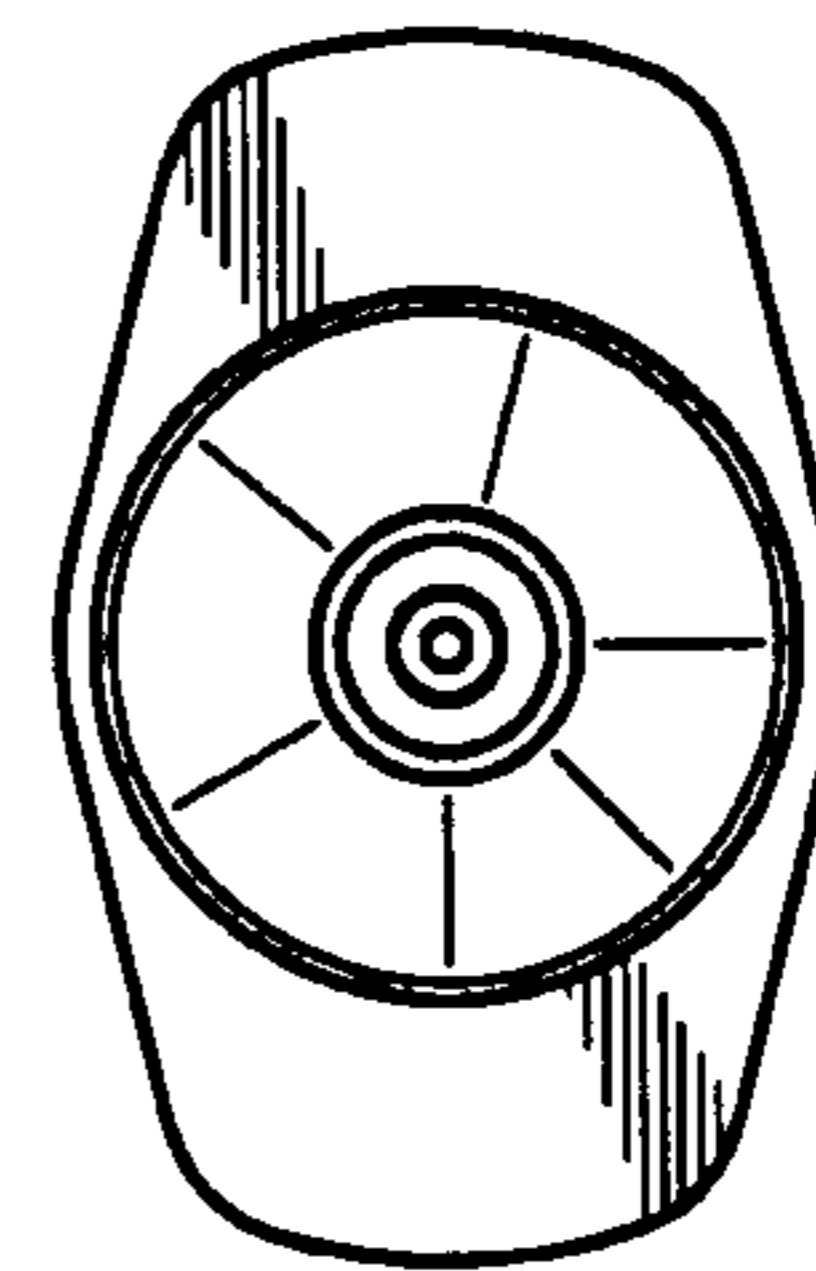


FIG. 7

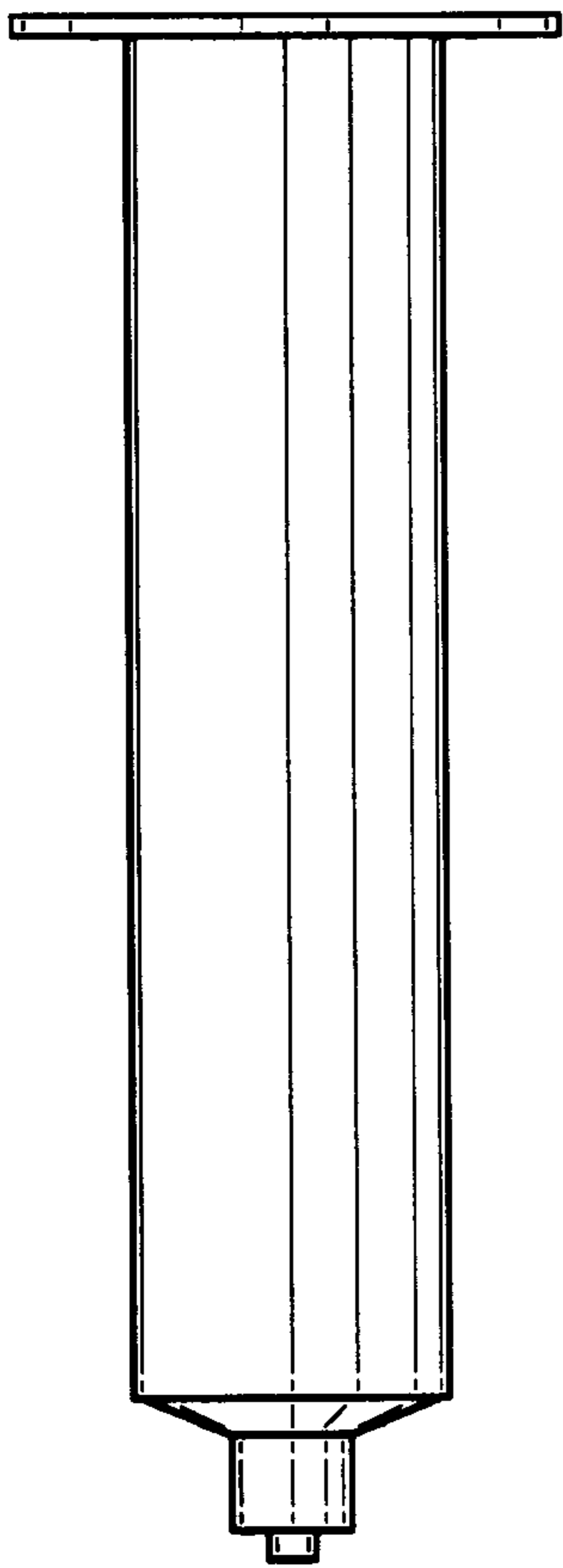


FIG. 8

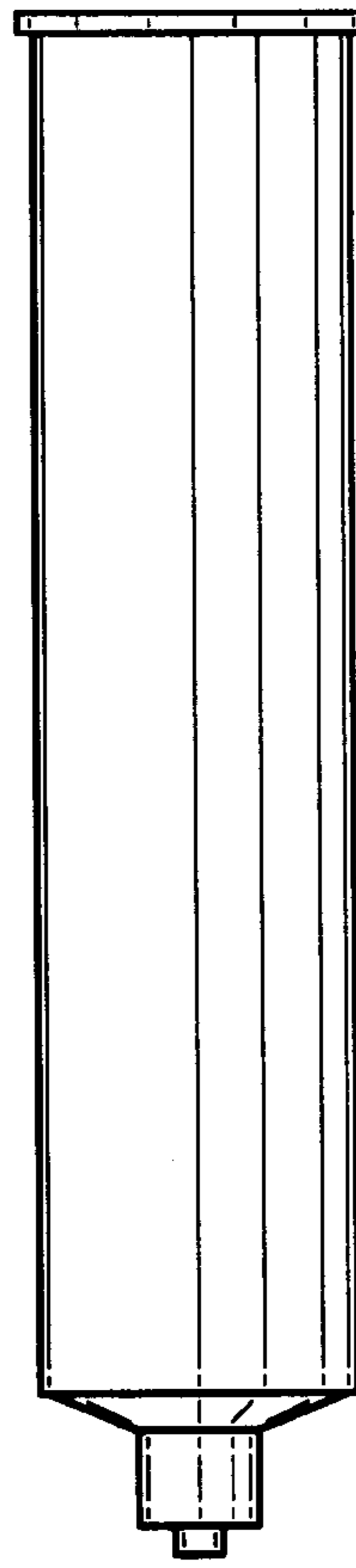


FIG. 9

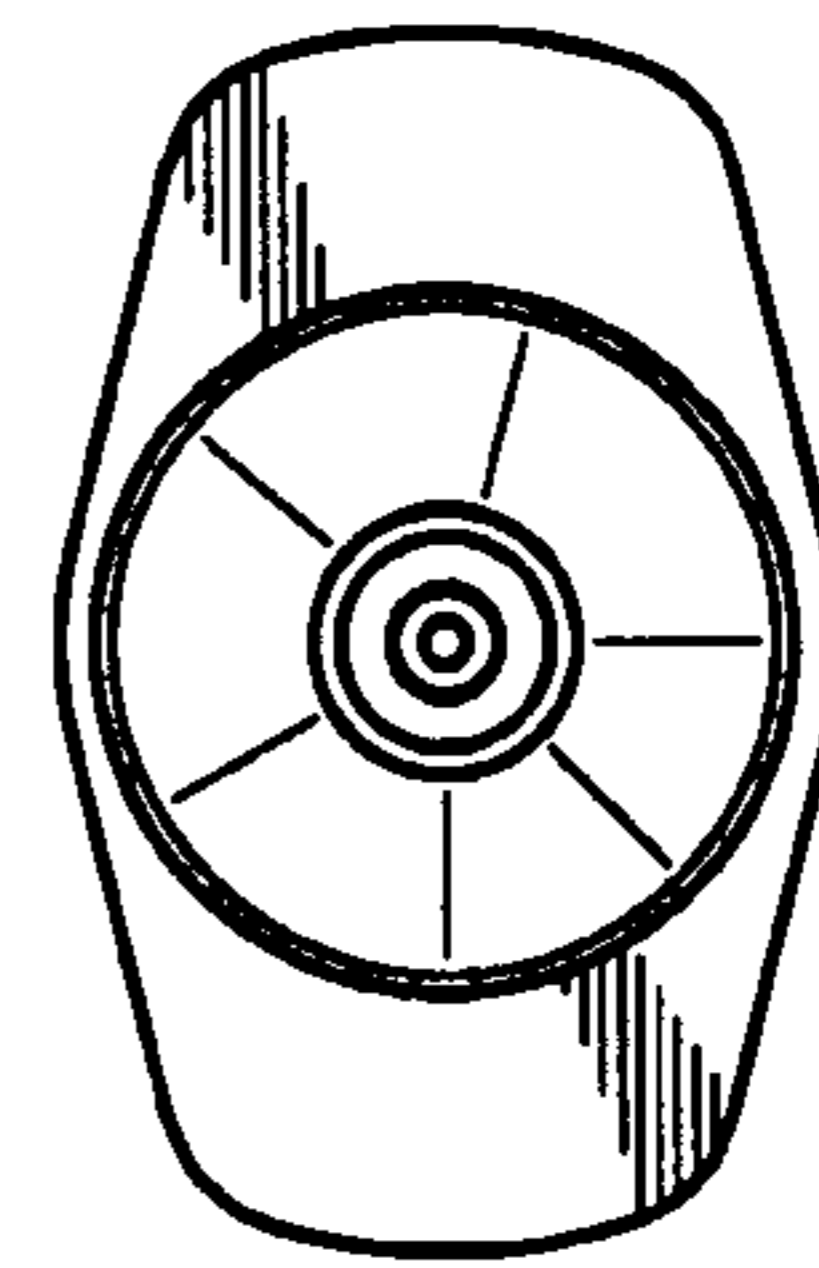


FIG. 10

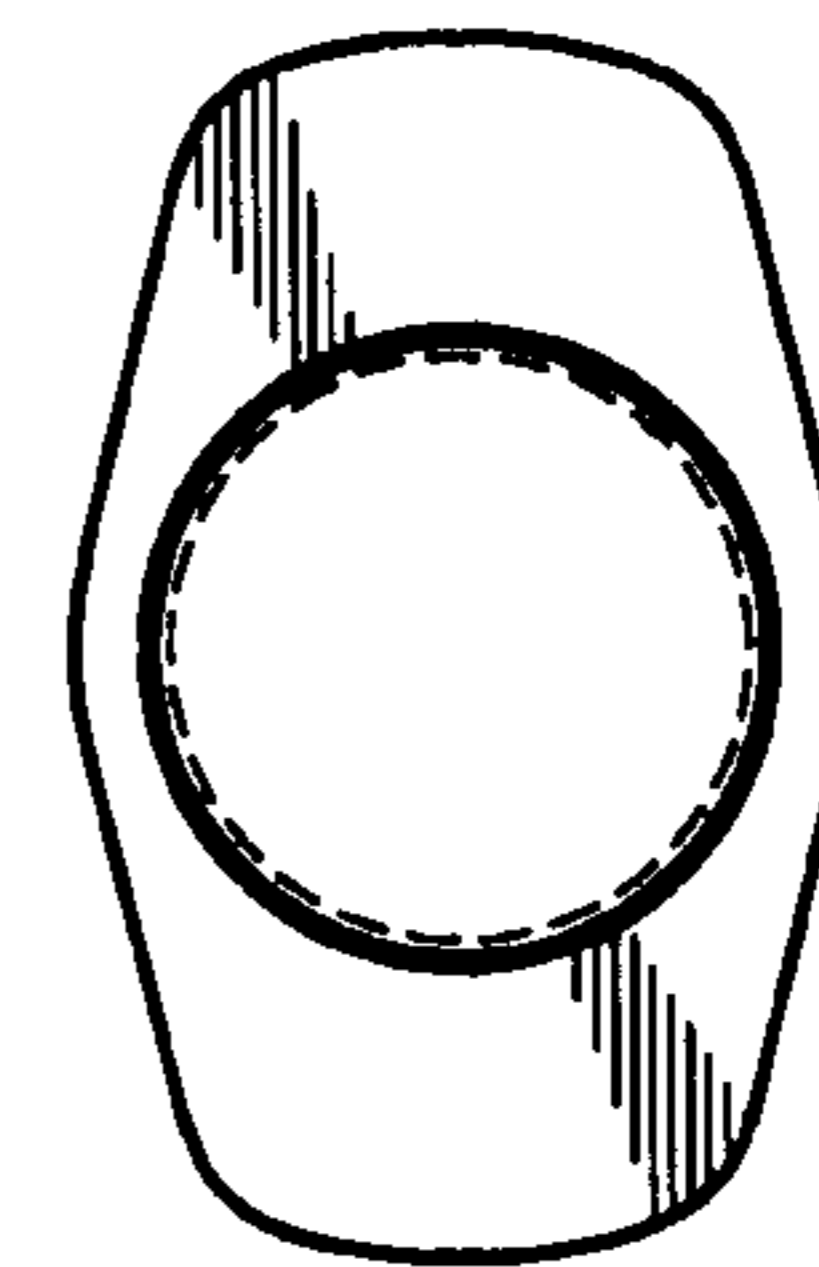


FIG. 11

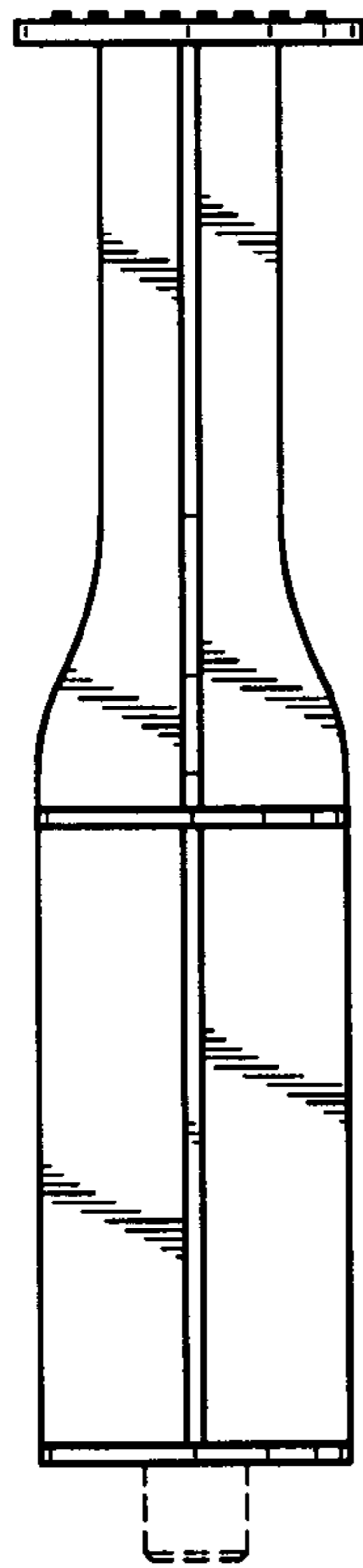


FIG. 12

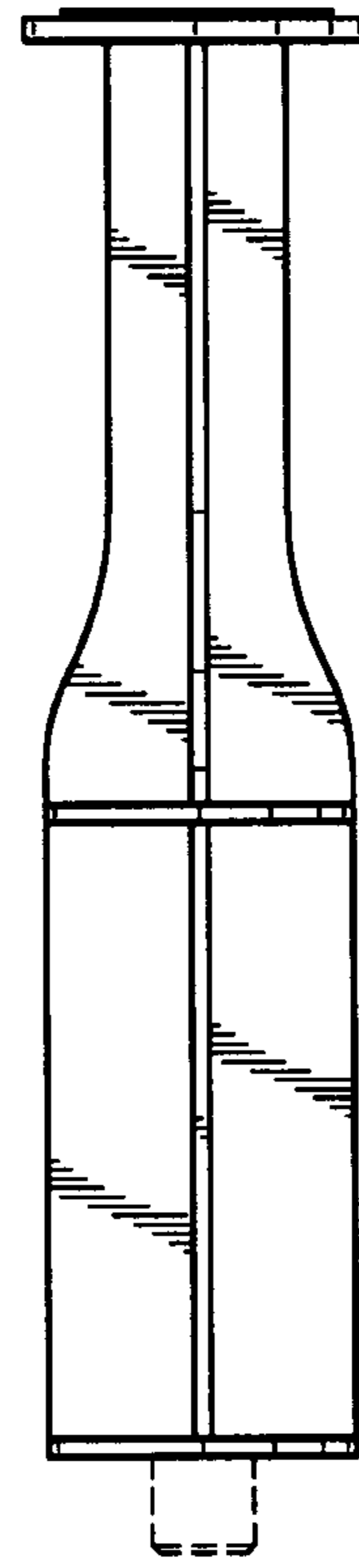


FIG. 13

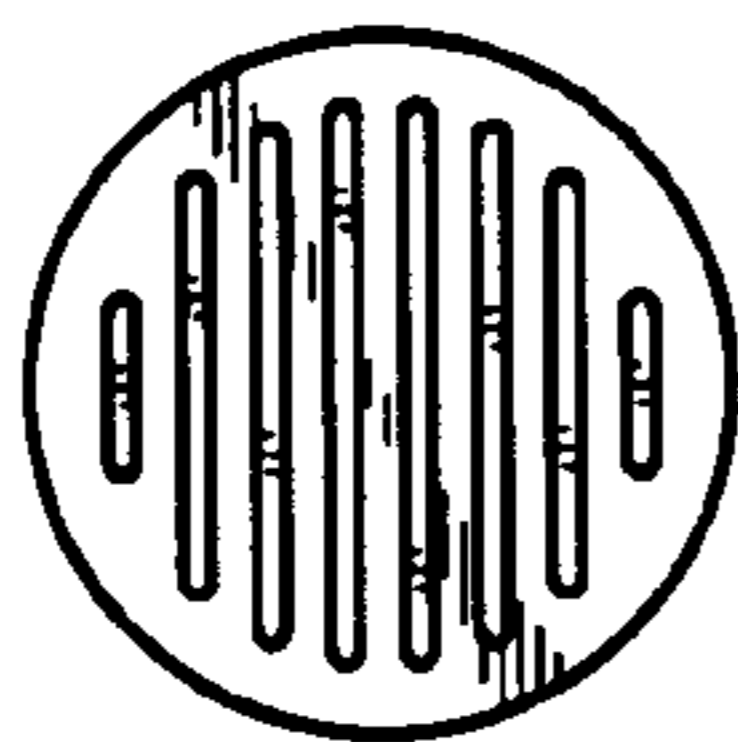


FIG. 14

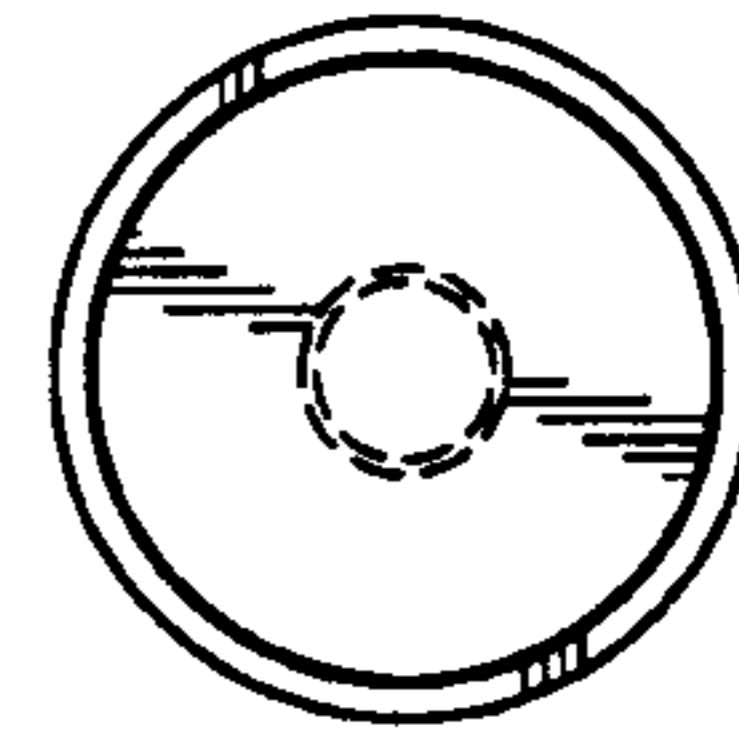


FIG. 15



FIG. 16

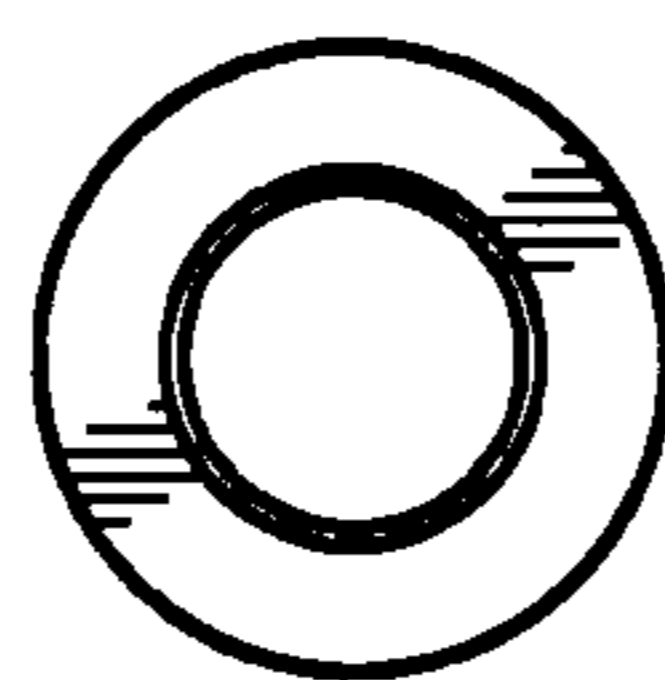


FIG. 17

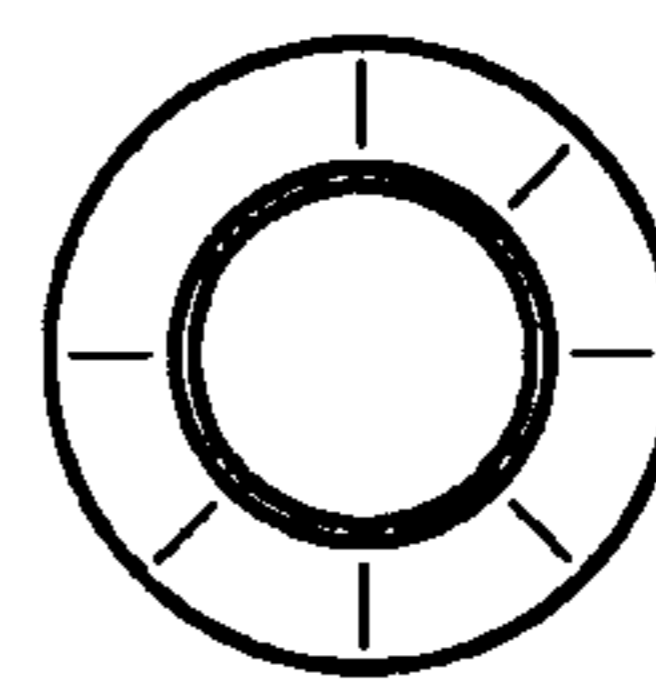


FIG. 18

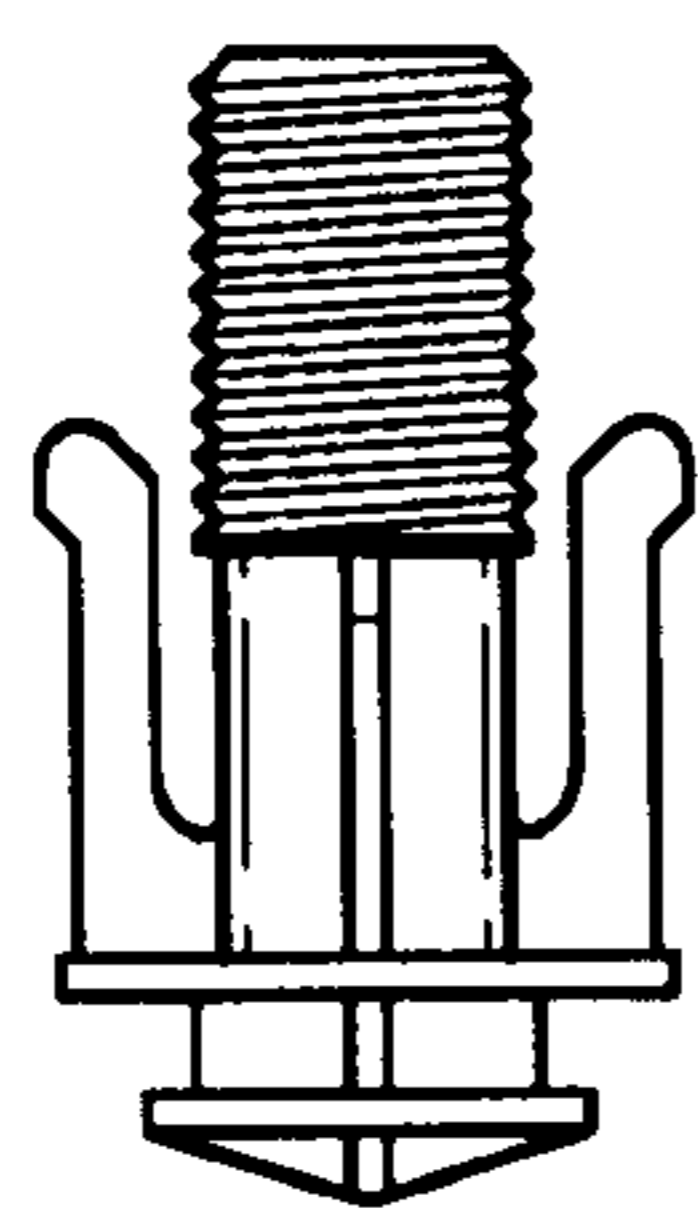


FIG. 19

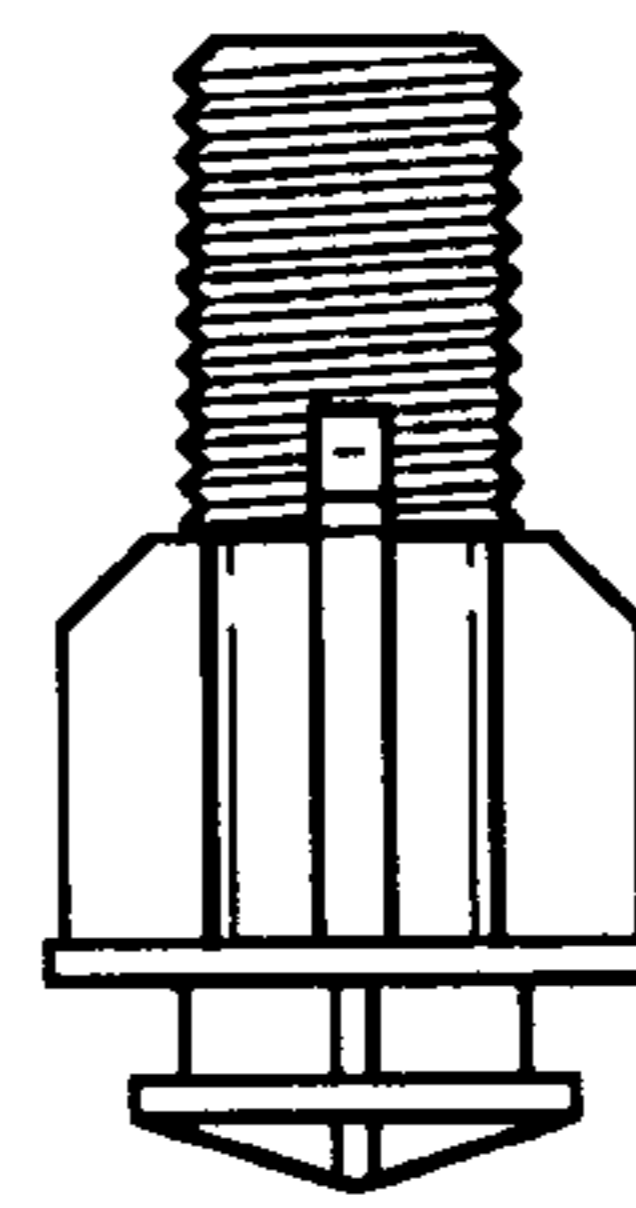


FIG. 20

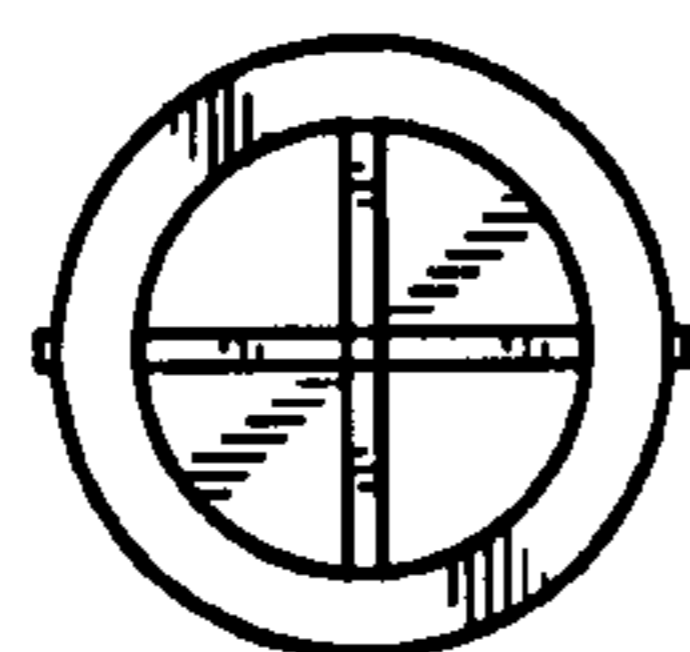


FIG. 21

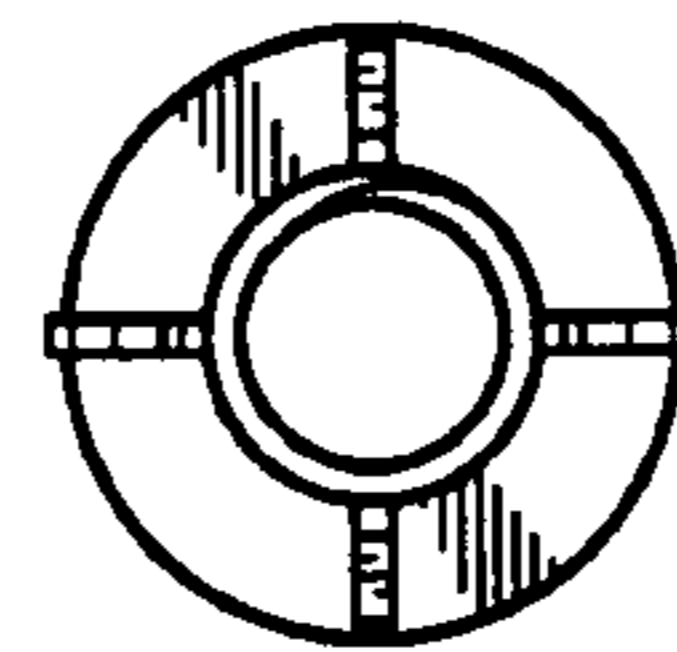


FIG. 22

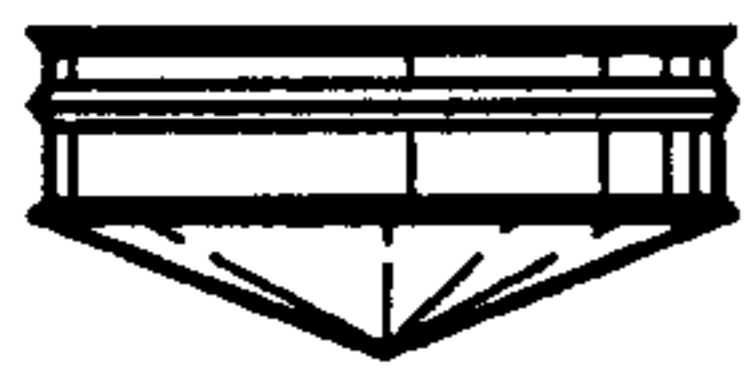


FIG. 23

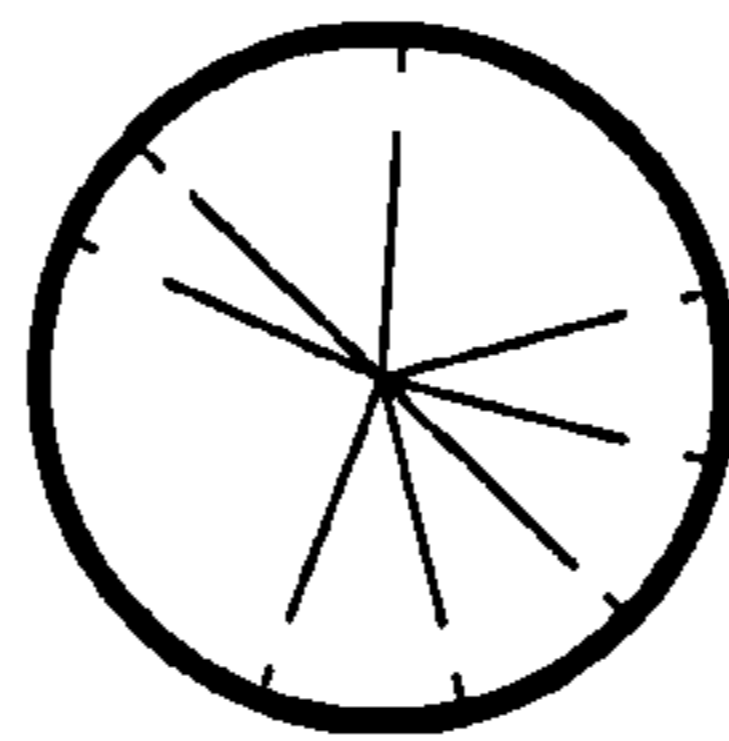


FIG. 24

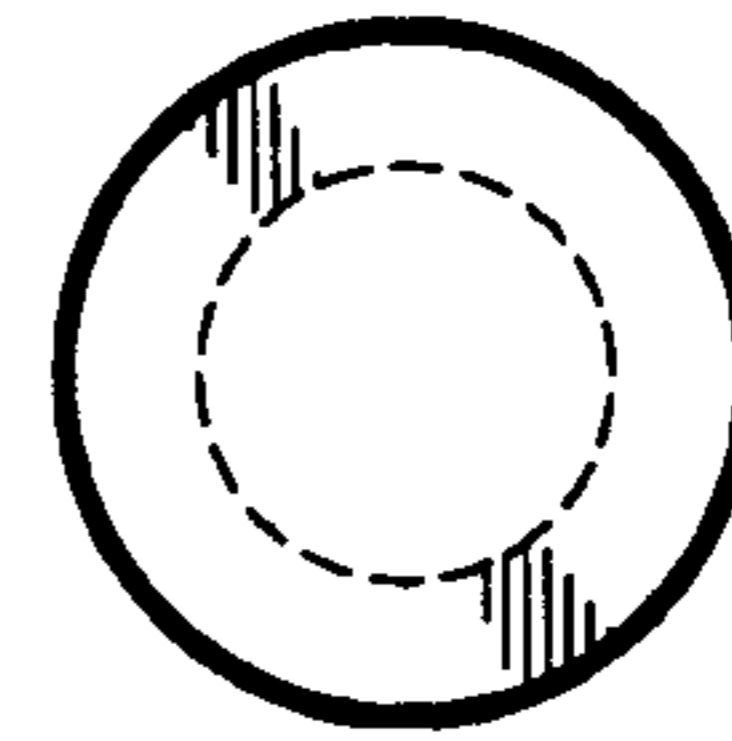


FIG. 25