



US00D876618S

(12) **United States Design Patent**
Nazzaro et al.

(10) **Patent No.: US D876,618 S**

(45) **Date of Patent: ** Feb. 25, 2020**

(54) **DRUG DELIVERY DEVICE**

(71) Applicant: **Insulet Corporation**, Acton, MA (US)

(72) Inventors: **David Nazzaro**, Groveland, MA (US);
Jeff Barnes, Medford, MA (US);
Maureen McCaffrey, Boston, MA
(US); **Melinda Freson**, Westford, MA
(US); **Alexander Patt Broerman**,
Somerville, MA (US)

(73) Assignee: **INSULET CORPORATION**, Acton,
MA (US)

(**) Term: **15 Years**

(21) Appl. No.: **29/705,808**

(22) Filed: **Sep. 16, 2019**

Related U.S. Application Data

(63) Continuation of application No. 29/686,756, filed on
Apr. 8, 2019, now Pat. No. Des. 865,945, which is a
continuation of application No. 29/671,670, filed on
Nov. 29, 2018, now Pat. No. Des. 851,752, which is
a continuation of application No. 29/618,871, filed on
Sep. 25, 2017, now Pat. No. Des. 836,770.

(51) **LOC (12) Cl.** **24-02**

(52) **U.S. Cl.**
USPC **D24/111; D24/113**

(58) **Field of Classification Search**
USPC D24/107, 108, 111, 169, 185, 188,
D24/112-113

CPC A61M 5/142; A61M 2005/14208; A61M
5/14212; A61M 5/14228; A61M 5/14232;
A61M 5/145; A61M 5/1456; A61M
5/14566; A61M 5/1458; A61M 5/1452;
A61M 2205/505; A61M 5/14244; A61M
5/1723; A61M 2205/52; A61M 5/14248;
A61M 2005/14268; A61M 15/1428;
A61M 2005/14284; G06F 19/3468

See application file for complete search history.

(56) **References Cited**

U.S. PATENT DOCUMENTS

D685,083 S * 6/2013 Schneider D24/108
D687,141 S * 7/2013 Schneider D24/108
D687,536 S * 8/2013 Guarraia D24/108

(Continued)

Primary Examiner — Lilyana Bekic

(57) **CLAIM**

The ornamental design for a drug delivery device, as shown
and described.

DESCRIPTION

FIG. 1 is a top, left perspective view of a drug delivery
device showing our new design;

FIG. 2 is a top, right perspective view of the drug delivery
device of FIG. 1;

FIG. 3 is bottom, left perspective view of the drug delivery
device of FIG. 1;

FIG. 4 is a top view of the drug delivery device of FIG. 1;
FIG. 5 is a bottom view of the drug delivery device of FIG.
1;

FIG. 6 is a rear, end view of the drug delivery device of FIG.
1;

FIG. 7 is a front, end view of the drug delivery device of
FIG. 1;

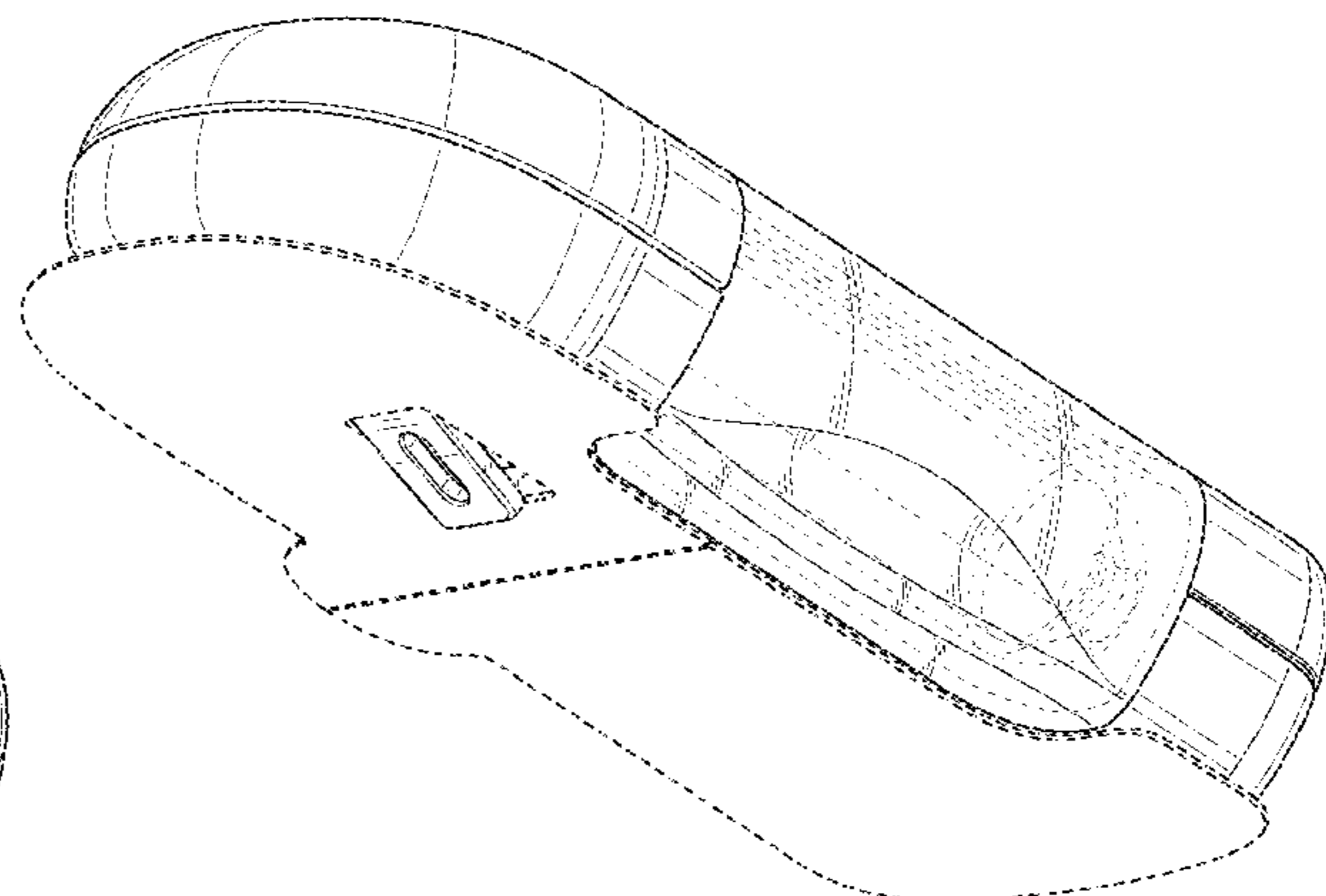
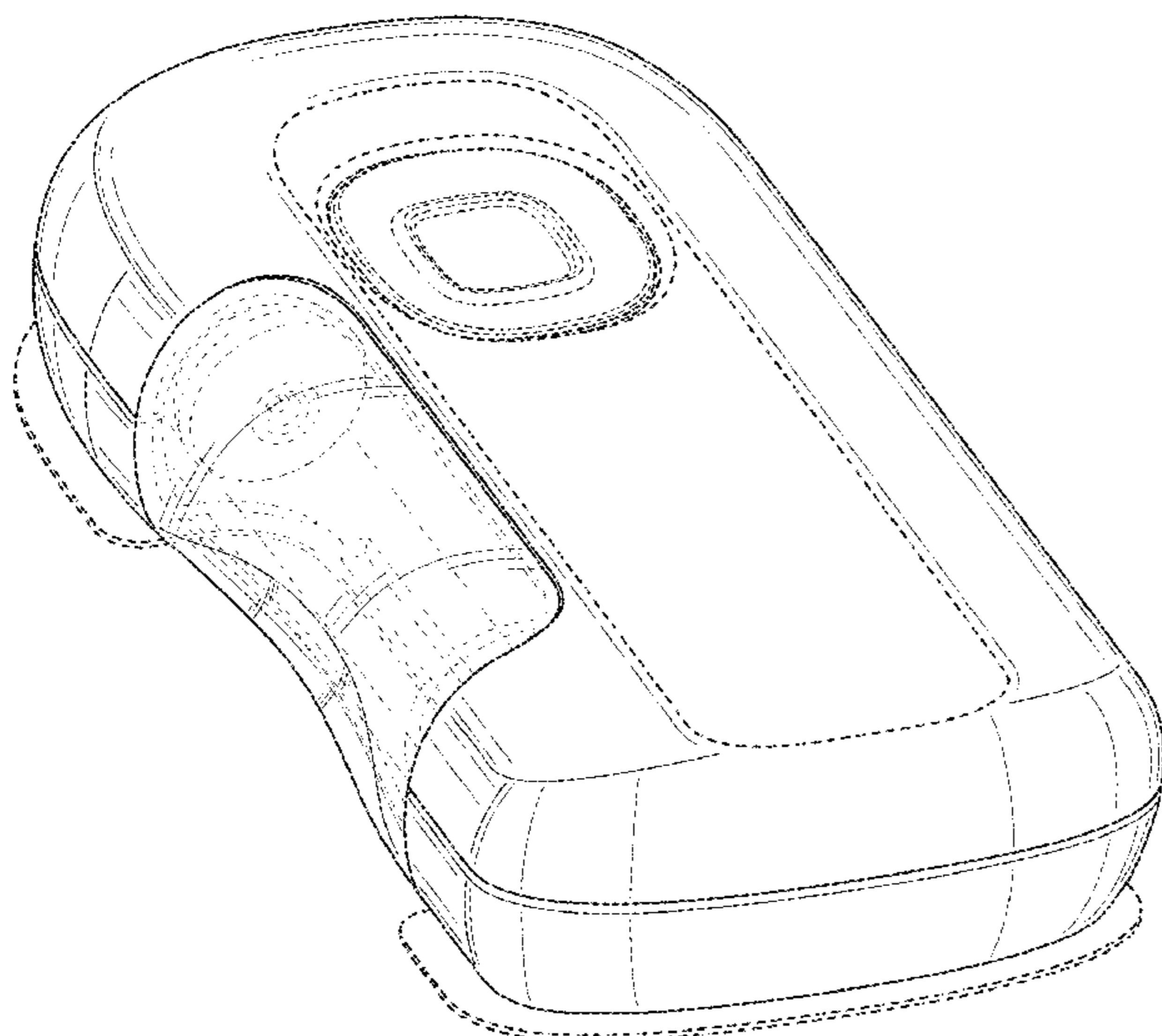
FIG. 8 is a right, side view of the drug delivery device of
FIG. 1;

FIG. 9 is a left, side view of the drug delivery device of FIG.
1; and,

FIG. 10 is bottom, left perspective view of the drug delivery
device of FIG. 1, showing an interlock portion in a retracted
position.

The broken lines in the drawings depict portions of the drug
delivery device that form no part of the claimed design.

1 Claim, 8 Drawing Sheets



(56)

References Cited

U.S. PATENT DOCUMENTS

D692,552 S * 10/2013 Lovell D24/108
 D745,142 S * 12/2015 O'Connor D24/111
 D774,640 S * 12/2016 Tyce D24/113
 D776,262 S * 1/2017 Tyce D24/113
 D776,264 S * 1/2017 Tyce D24/113
 D776,265 S * 1/2017 Tyce D24/113
 9,572,926 B2 * 2/2017 Cabiri A61M 5/14248
 D794,776 S * 8/2017 Tyce D24/113
 D804,019 S * 11/2017 Costello D24/113
 D804,650 S * 12/2017 Costello D24/113
 D805,186 S * 12/2017 Costello D24/113
 D805,187 S * 12/2017 Costello D24/113
 D805,188 S * 12/2017 Costello D24/113
 D805,189 S * 12/2017 Costello D24/113
 D805,190 S * 12/2017 Costello D24/113
 D810,278 S * 2/2018 Cabiri D24/111
 D813,380 S * 3/2018 Stonecipher D24/113
 D817,481 S * 5/2018 Cabiri A61M 5/158
 D24/111

D836,770 S * 12/2018 Nazzaro D24/111
 D838,359 S * 1/2019 Boyaval D24/112
 D838,840 S * 1/2019 Cabiri A61M 5/158
 D24/111
 D840,531 S * 2/2019 Guillermo D24/112
 D851,752 S * 6/2019 Nazzaro D24/111
 D856,506 S * 8/2019 Wu D24/108
 2010/0168683 A1 * 7/2010 Cabiri A61M 5/14248
 604/263
 2014/0296787 A1 * 10/2014 Agard A61M 5/14216
 604/152
 2016/0058941 A1 * 3/2016 Wu A61M 5/3134
 604/136
 2017/0028132 A1 * 2/2017 Cronenberg A61M 5/142
 2017/0354785 A1 * 12/2017 Gazeley A61M 5/31536
 2018/0236173 A1 * 8/2018 McCaffrey A61M 5/2466
 2018/0256815 A1 * 9/2018 Nazzaro A61M 5/1454
 2019/0091404 A1 * 3/2019 Nazzaro A61M 5/2033
 2019/0167895 A1 * 6/2019 Dechelette A61M 5/14566
 2019/0240417 A1 * 8/2019 Hostettler A61M 5/1452

* cited by examiner

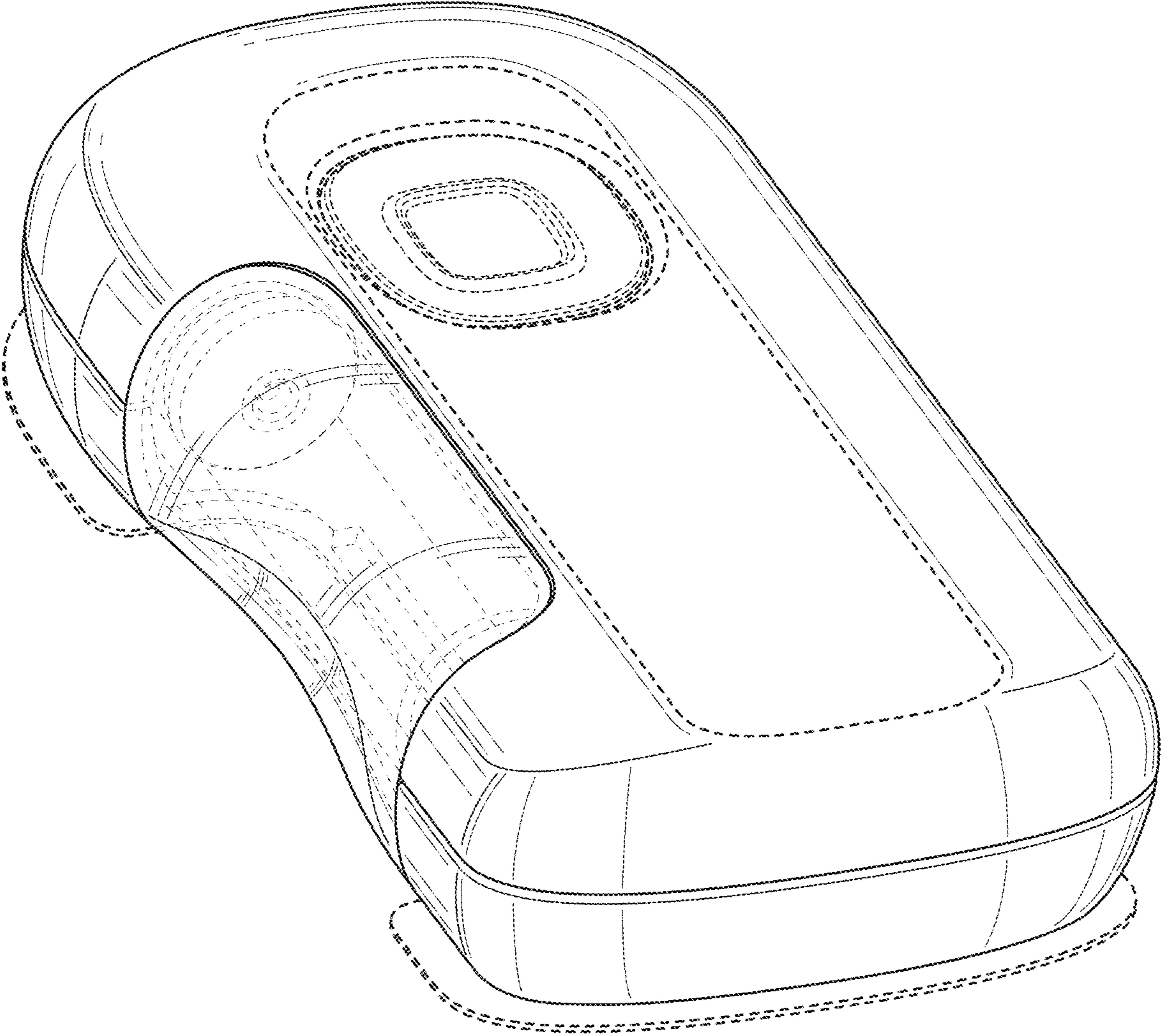


FIG. 1

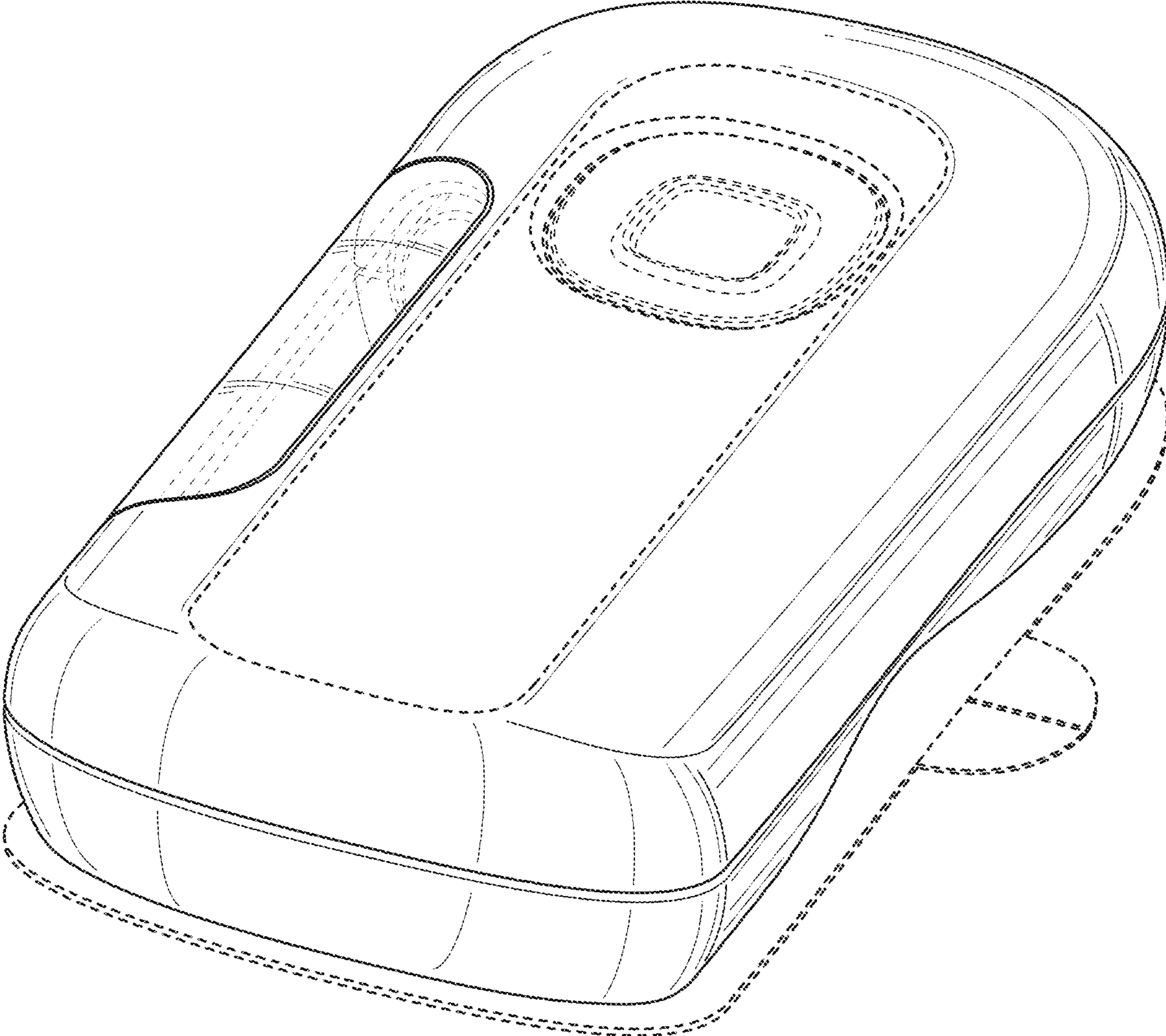


FIG. 2

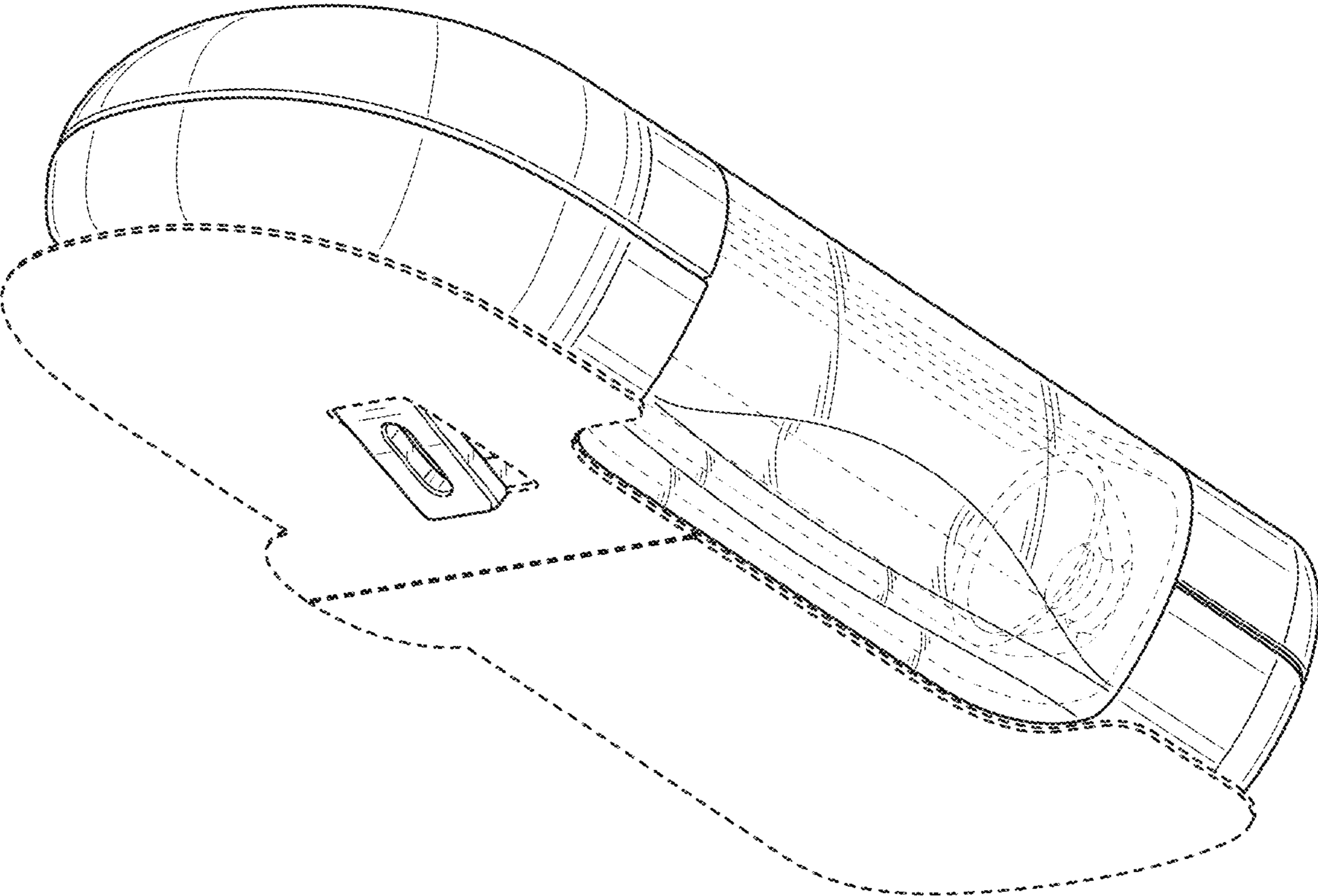


FIG. 3

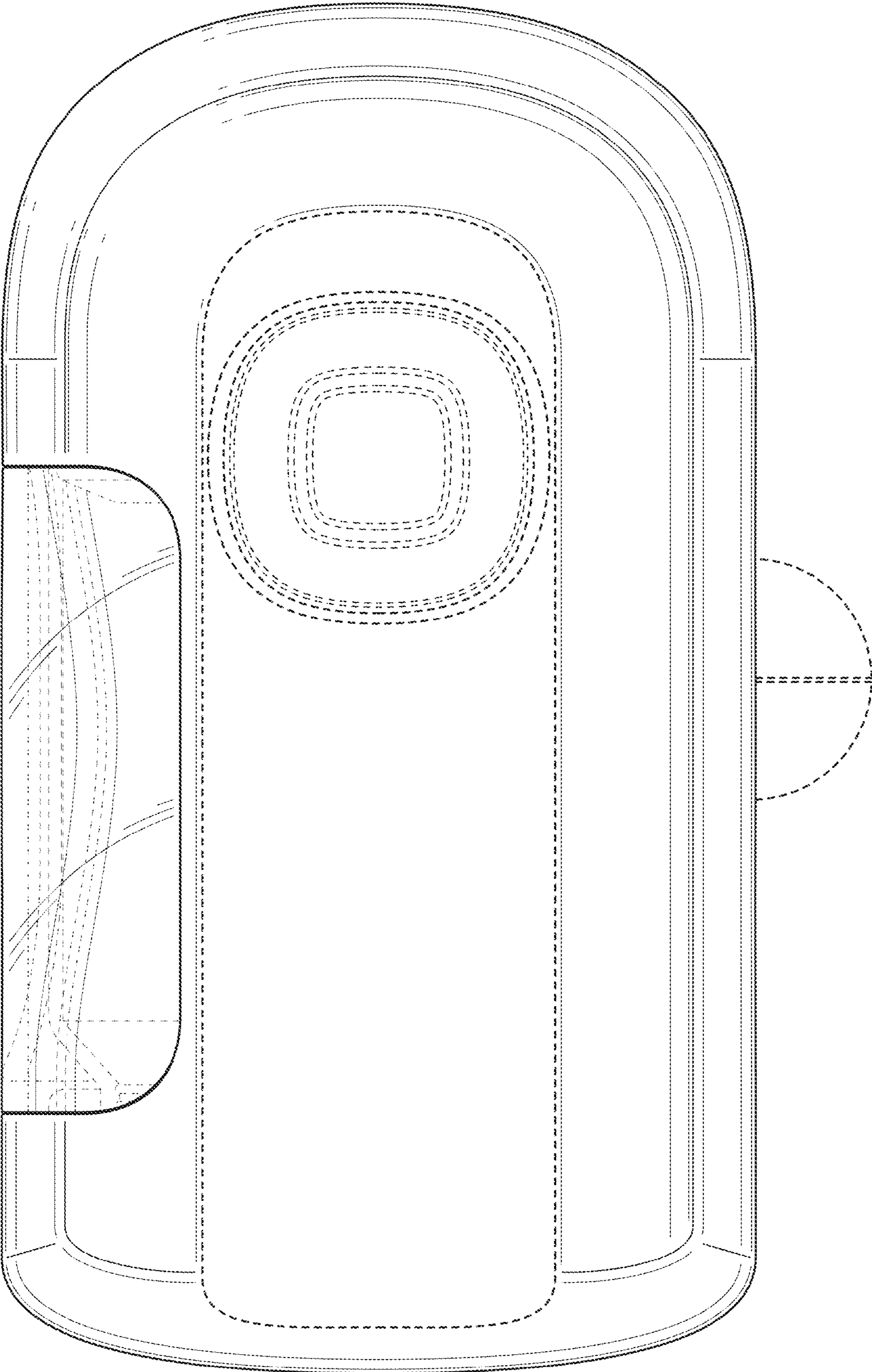


FIG. 4

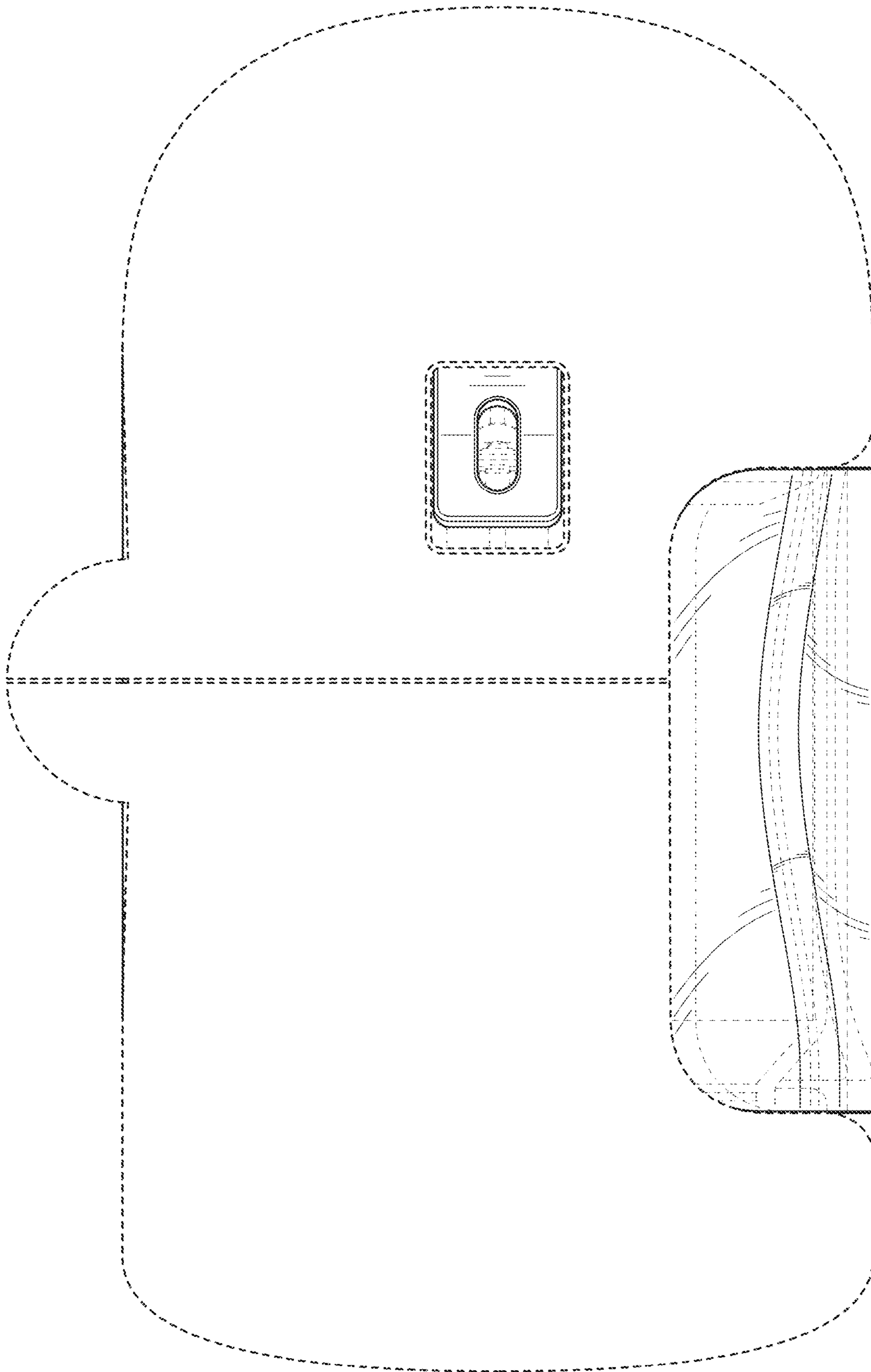


FIG. 5

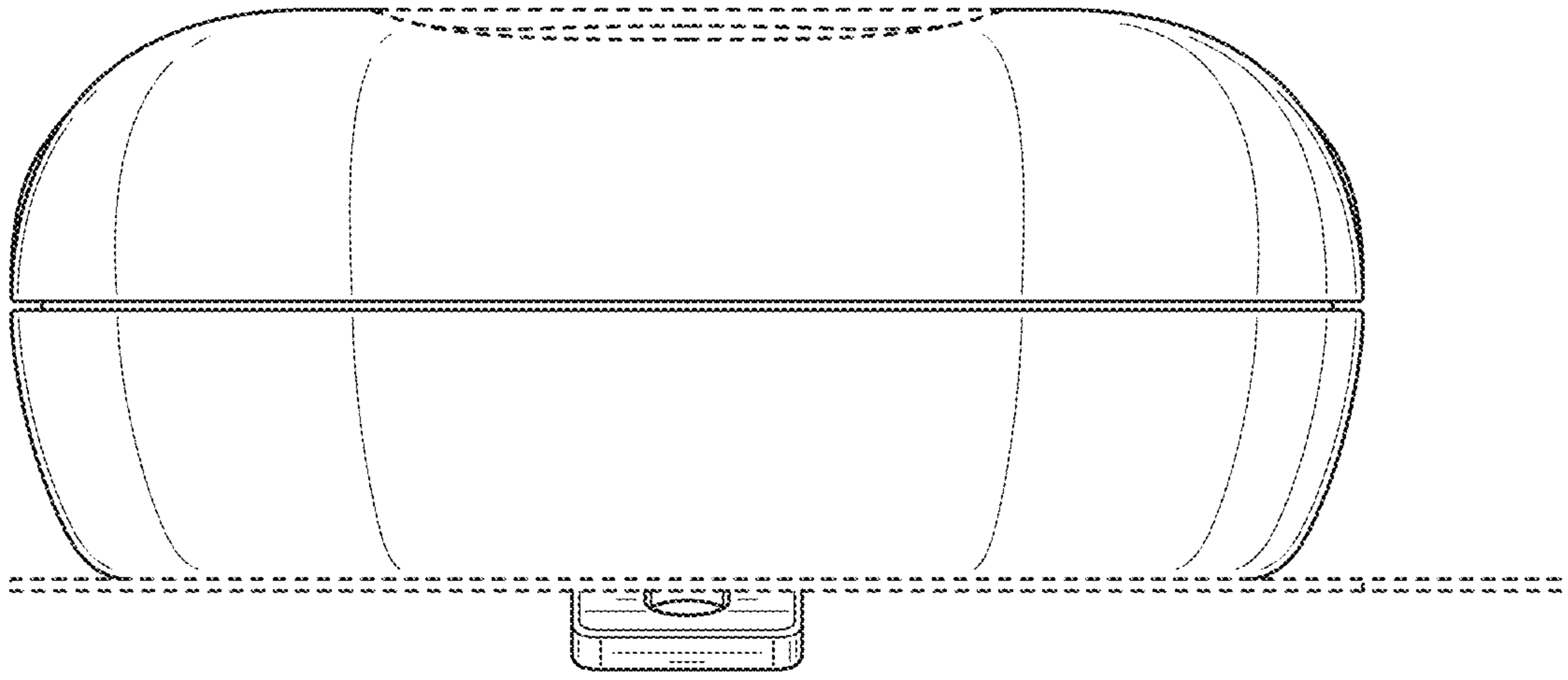


FIG. 6

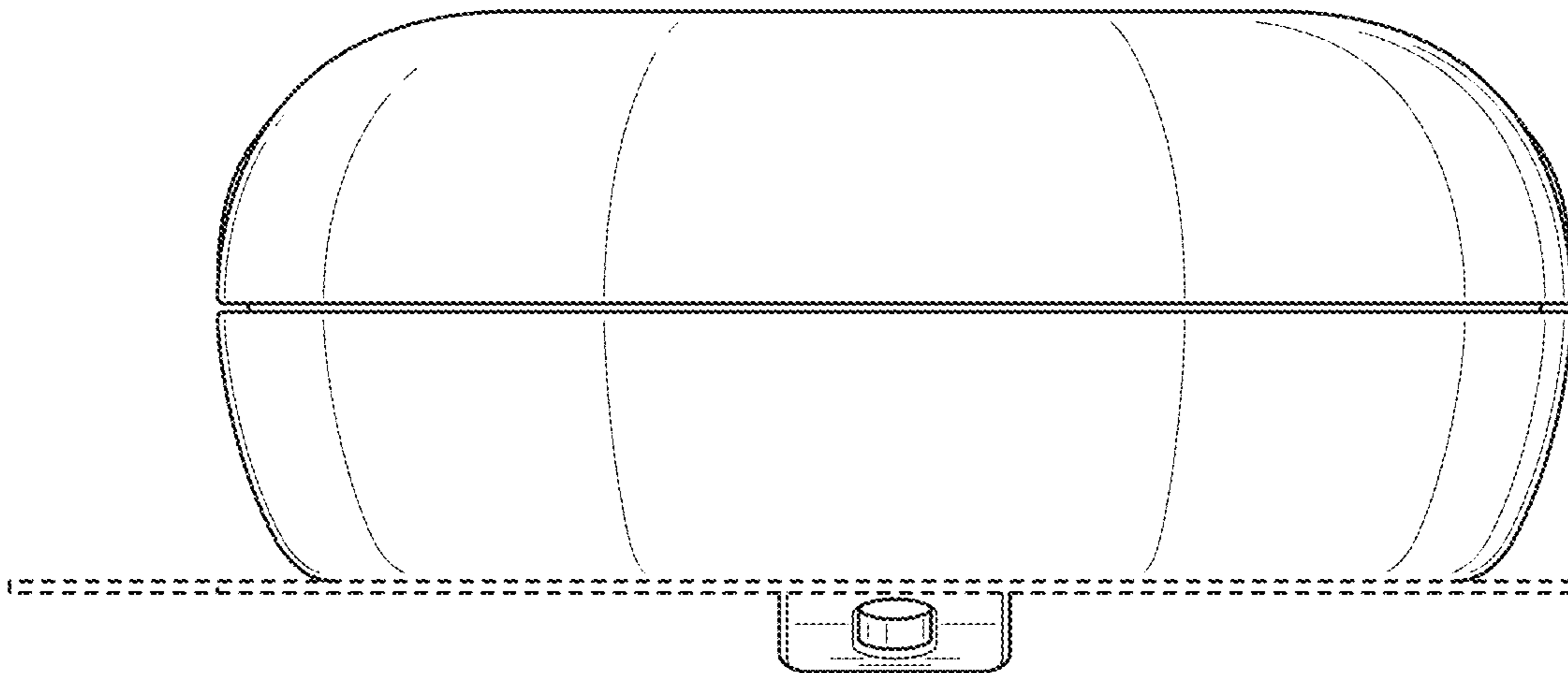


FIG. 7

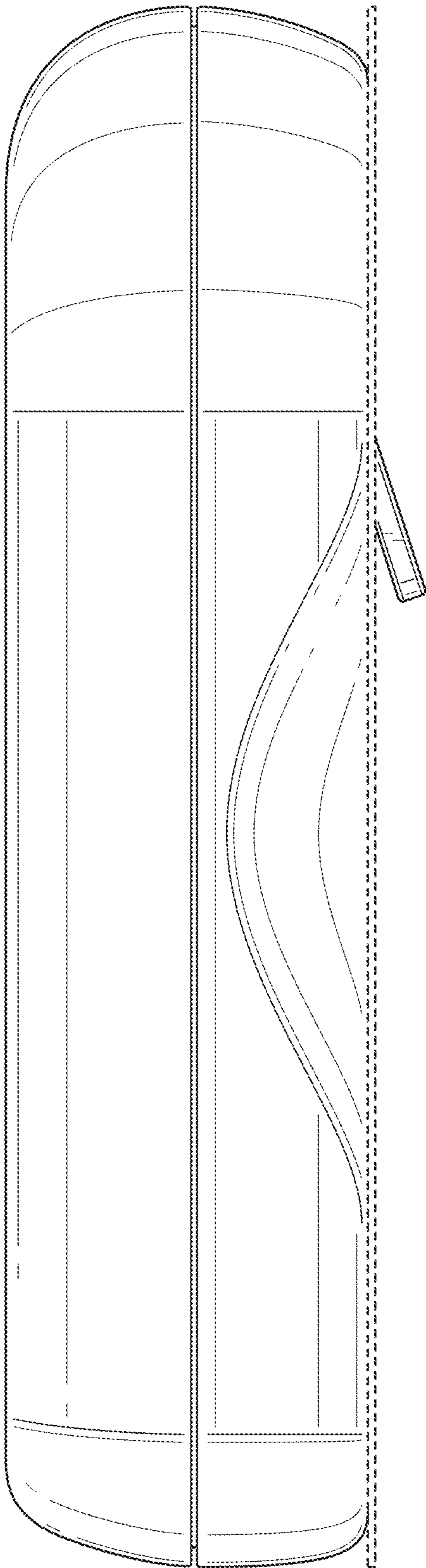


FIG. 8

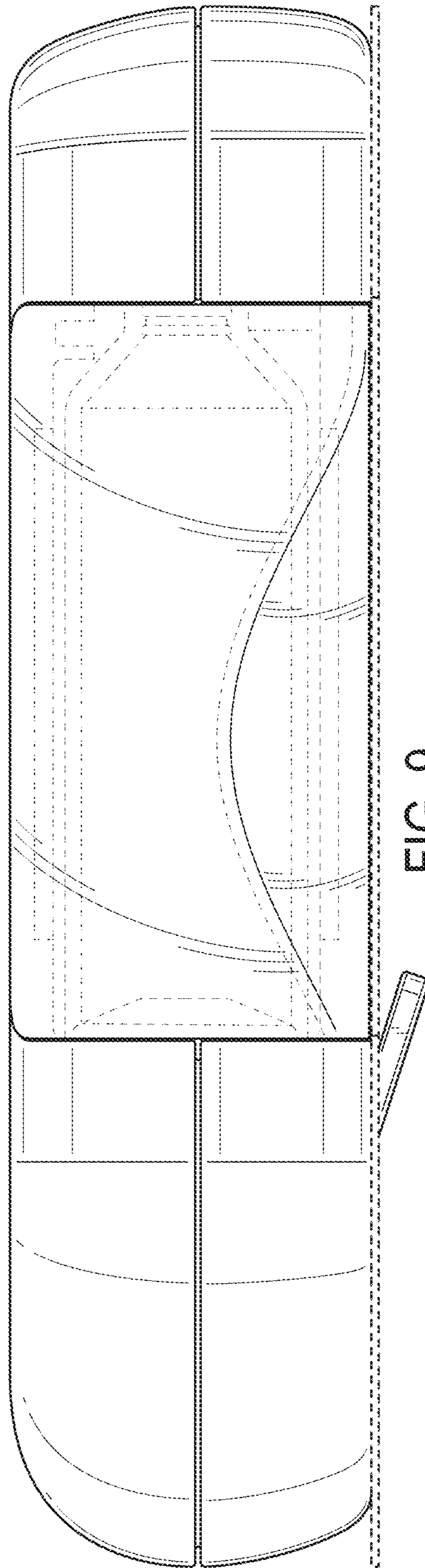


FIG. 9

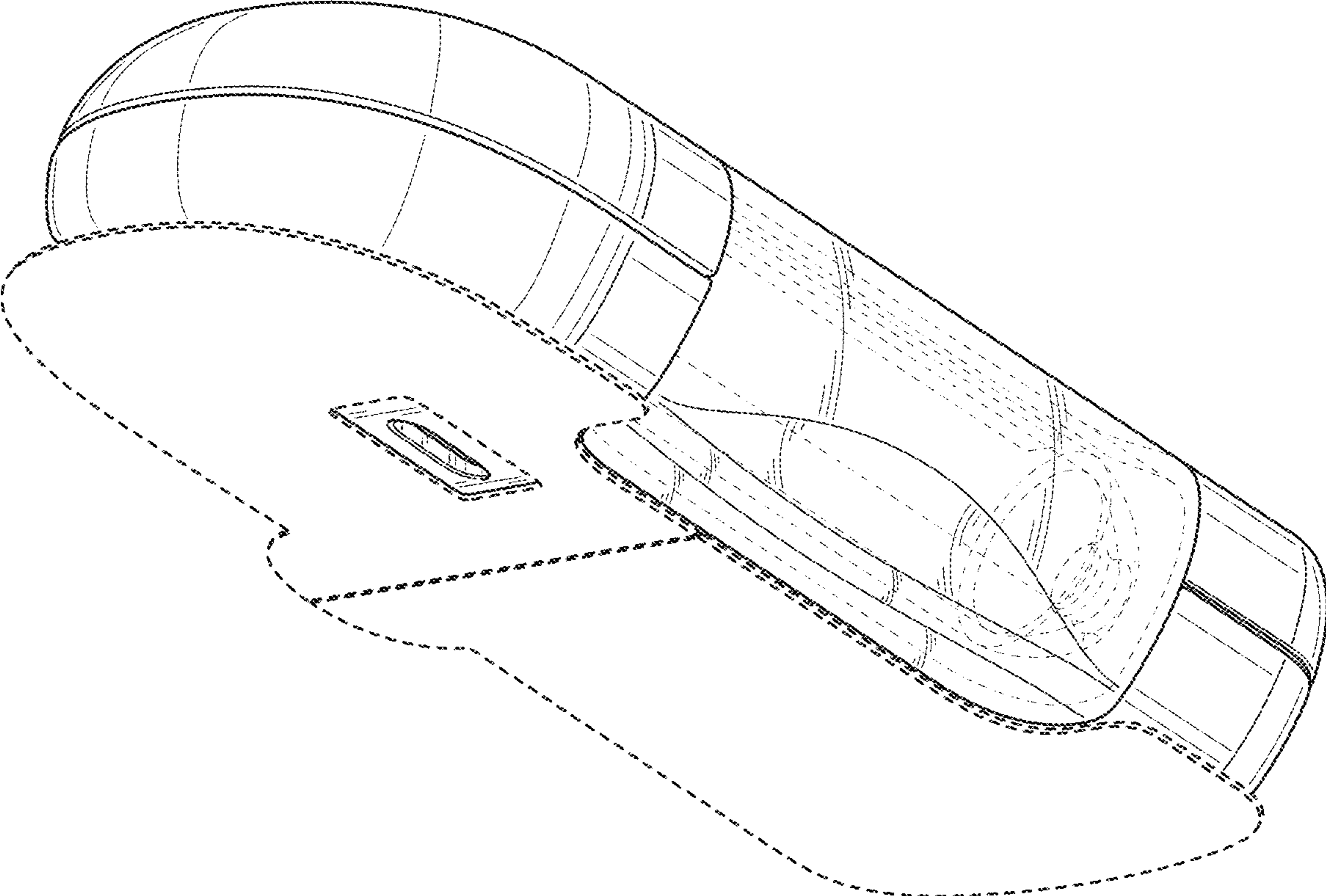


FIG. 10