



US00D876617S

(12) **United States Design Patent** (10) **Patent No.:** **US D876,617 S**  
**Scheirlinck et al.** (45) **Date of Patent:** **\*\* Feb. 25, 2020**

(54) **COMBINED ELBOW AND SWIVEL WITH A ROTATABLE PRESSURE PORT**

(71) Applicant: **Fisher & Paykel Healthcare Limited**, Auckland (NZ)

(72) Inventors: **Erik Robertus Scheirlinck**, Auckland (NZ); **Man Hei Jade Kwong**, Auckland (NZ)

(73) Assignee: **Fisher & Paykel Healthcare Limited**, Auckland (NZ)

(\*\*) Term: **15 Years**

(21) Appl. No.: **29/694,004**

(22) Filed: **Jun. 6, 2019**

**Related U.S. Application Data**

(62) Division of application No. 29/635,207, filed on Jan. 29, 2018, now Pat. No. Des. 856,510.

(51) **LOC (12) Cl.** ..... **29-02**

(52) **U.S. Cl.**  
USPC ..... **D24/110.4**

(58) **Field of Classification Search**  
USPC .... D24/110, 110.4, 110.5, 110.6, 129, 110.1  
CPC ..... A61M 16/06; A61M 16/0816; A61M 16/0683; A61M 16/0825; A61M 16/0622; A61M 16/0633; A61M 16/0833; A61M 16/0616; A61M 16/08  
See application file for complete search history.

(56) **References Cited**

**U.S. PATENT DOCUMENTS**

D556,899 S 12/2007 Veliss et al.  
D583,047 S 12/2008 Chandran et al.  
D619,701 S 7/2010 Edwards et al.  
D648,845 S 11/2011 Omura et al.  
D652,909 S 1/2012 Smart et al.

8,887,726 B2 11/2014 Schulz et al.  
RE45,985 E 4/2016 McAuley et al.  
D817,478 S 5/2018 Zoellner et al.  
D819,801 S 6/2018 Henry et al.  
D852,355 S \* 6/2019 Fiorenza ..... D24/129  
10,335,583 B2 \* 7/2019 Gulliver ..... A61M 16/0666  
D856,510 S \* 8/2019 Scheirlinck ..... D24/110.4  
2008/0314389 A1 12/2008 Thomas et al.  
2009/0065729 A1 3/2009 Warboys et al.  
2009/0139527 A1 6/2009 Ng et al.  
2009/0260628 A1 \* 10/2009 Flynn, Sr. .... A61M 16/0078  
128/203.28  
2009/0260629 A1 \* 10/2009 Yee ..... A61M 16/08  
128/204.18  
2014/0150798 A1 6/2014 Fong et al.  
(Continued)

*Primary Examiner* — Lilyana Bekic

(74) *Attorney, Agent, or Firm* — Knobbe, Martens, Olson & Bear LLP

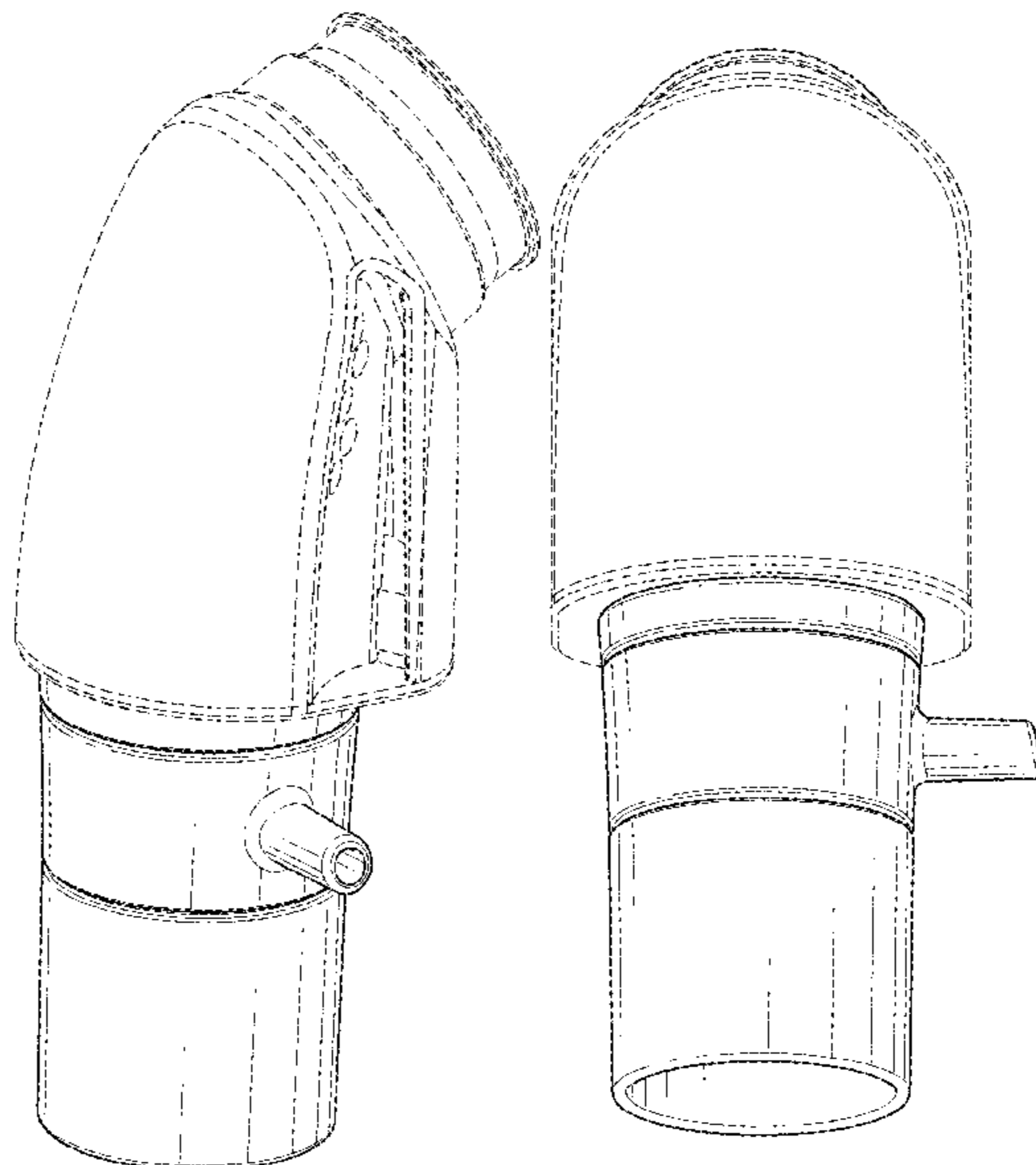
(57) **CLAIM**

The ornamental design for an combined elbow and swivel with a rotatable pressure port, as shown and described.

**DESCRIPTION**

FIG. 1 is a top, front, and right side perspective view of a combined elbow and swivel with a rotatable pressure port showing our new design;  
FIG. 2 is a front view thereof;  
FIG. 3 is a rear view thereof;  
FIG. 4 is a left side view thereof;  
FIG. 5 is a right side view thereof;  
FIG. 6 is a top view thereof;  
FIG. 7 is a bottom view thereof; and,  
FIG. 8 is a cross-sectional view taken along line 8-8 of FIG. 7.  
The broken lines in the drawing depict portions of the combined elbow and swivel with a rotatable pressure port that form no part of the claimed design.

**1 Claim, 6 Drawing Sheets**



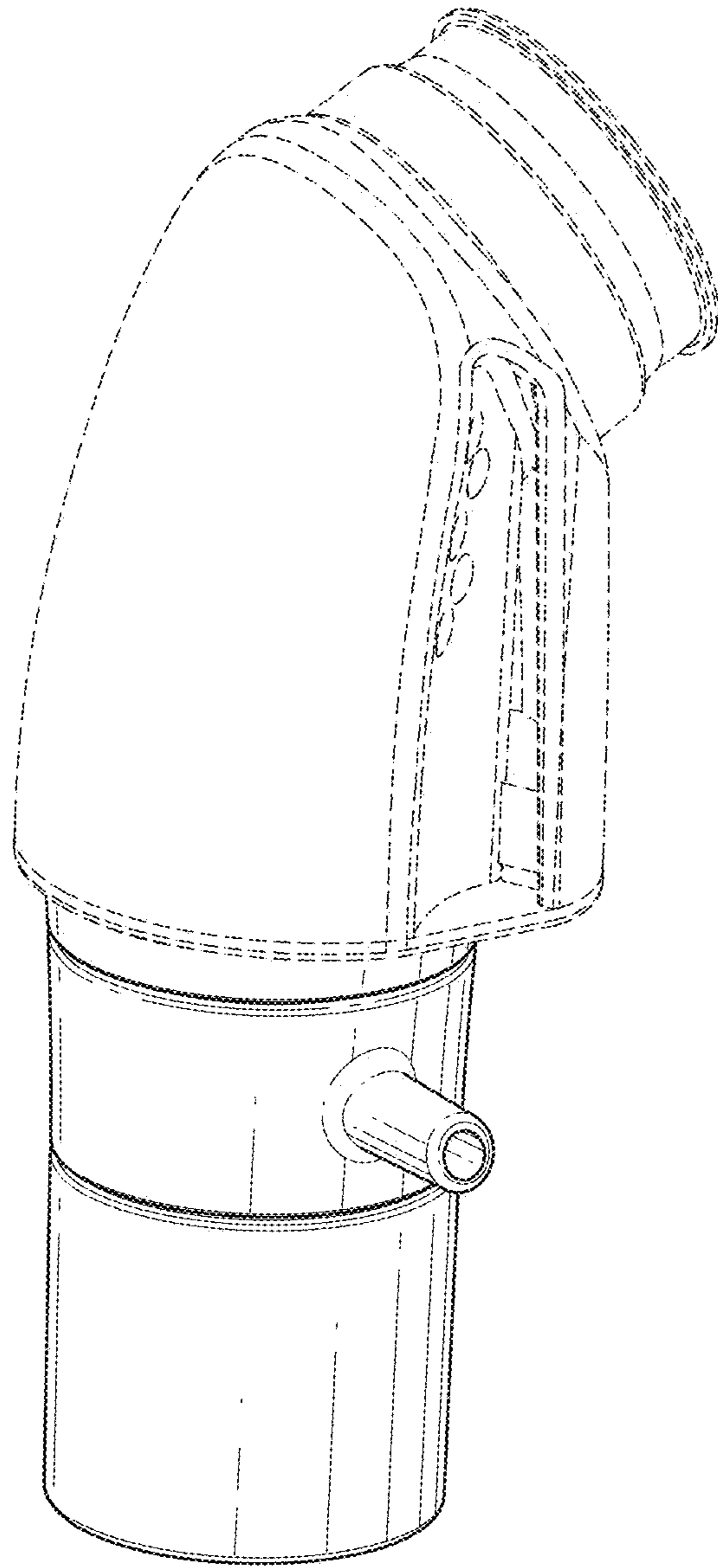
(56)

**References Cited**

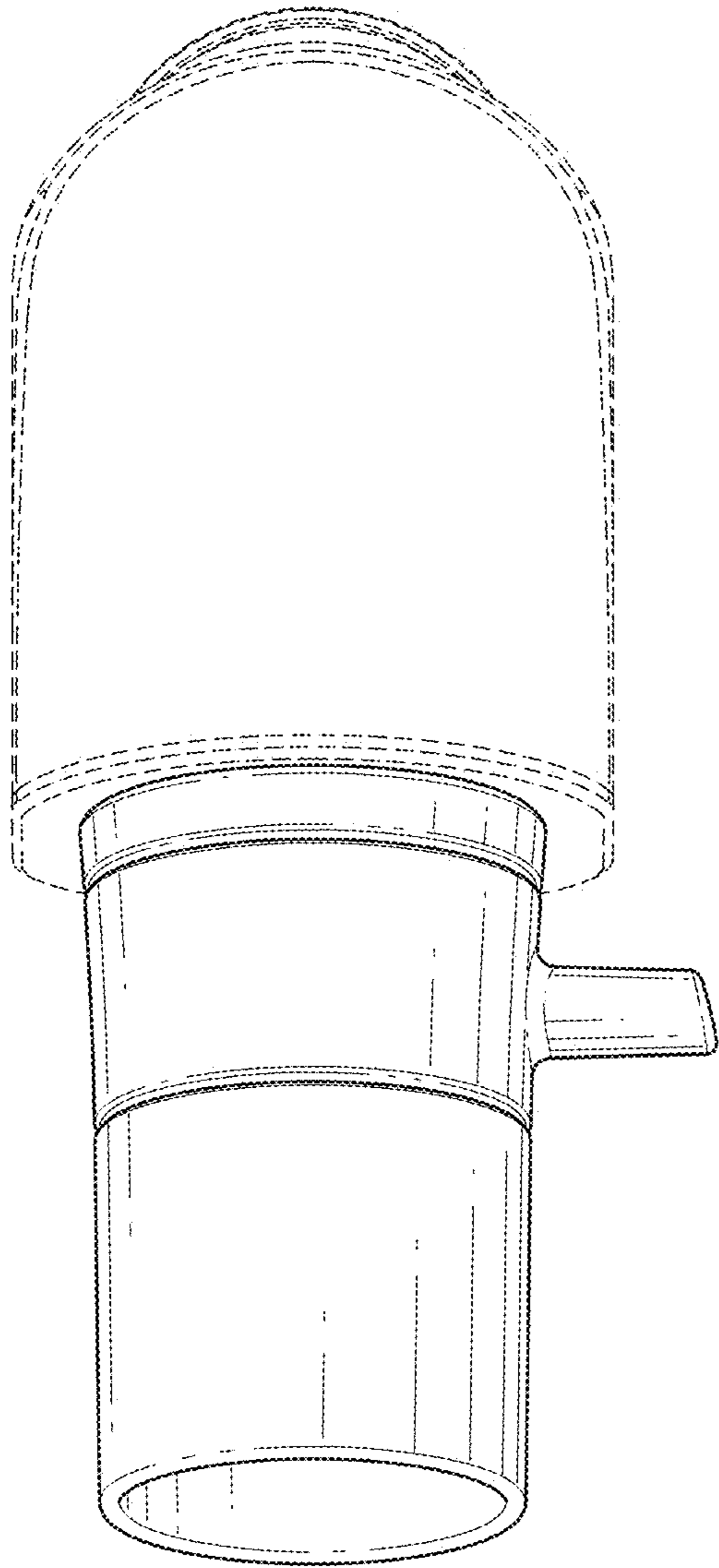
U.S. PATENT DOCUMENTS

2014/0338669 A1\* 11/2014 Zhao ..... A61M 16/0816  
128/204.18  
2015/0000671 A1 1/2015 Frerischs et al.  
2015/0283349 A1 10/2015 McLaren et al.  
2015/0320962 A1\* 11/2015 Bafle ..... A61M 16/0816  
128/204.18  
2016/0082218 A1\* 3/2016 Lau ..... A61M 16/0816  
128/202.27  
2017/0197055 A1\* 7/2017 Moody ..... A61M 16/0816  
2017/0296770 A1 10/2017 Gunaratnam et al.  
2018/0185598 A1 7/2018 Olsen et al.  
2018/0207389 A1 7/2018 Fyfe et al.  
2019/0099577 A1\* 4/2019 Fiorenza ..... A61M 16/10  
2019/0217029 A1\* 7/2019 Lawrence ..... A61M 16/0048

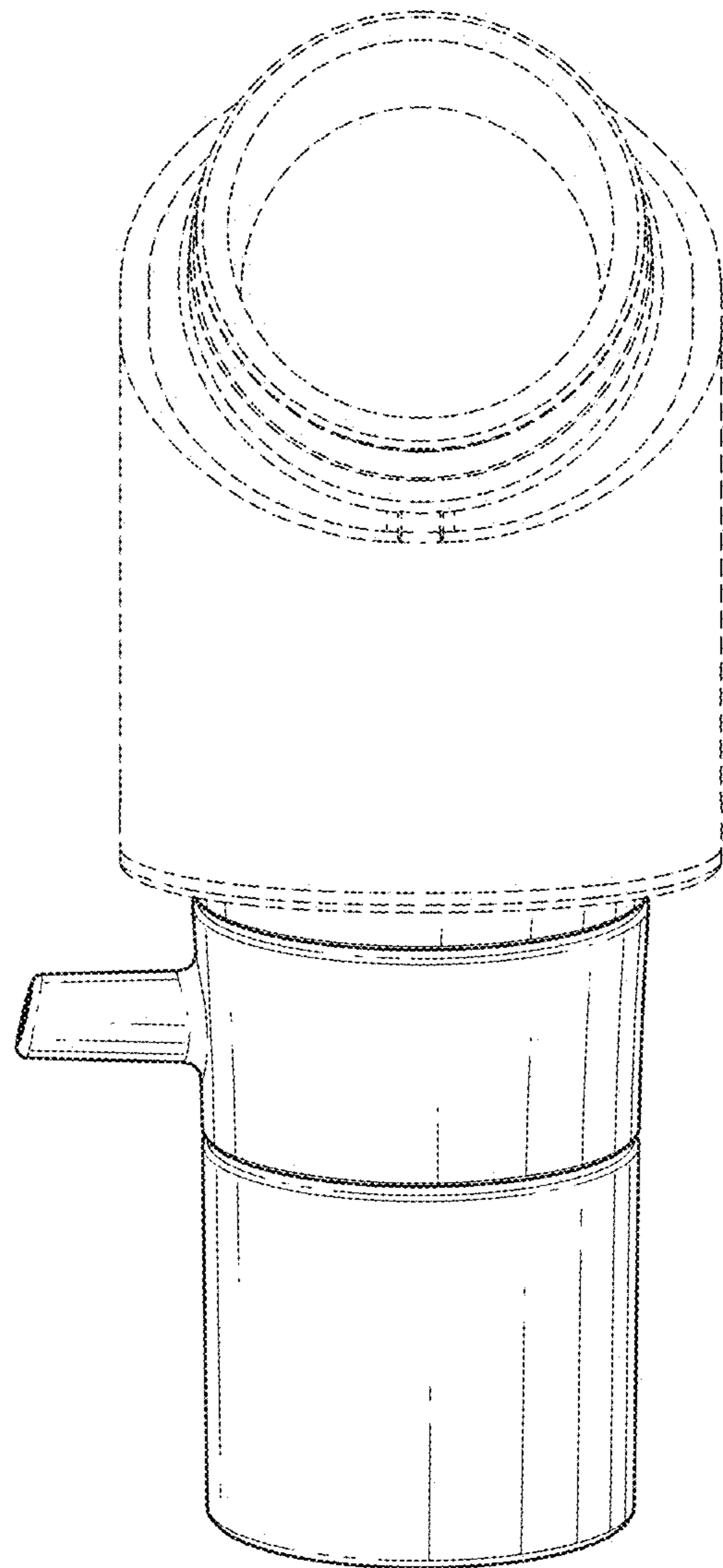
\* cited by examiner



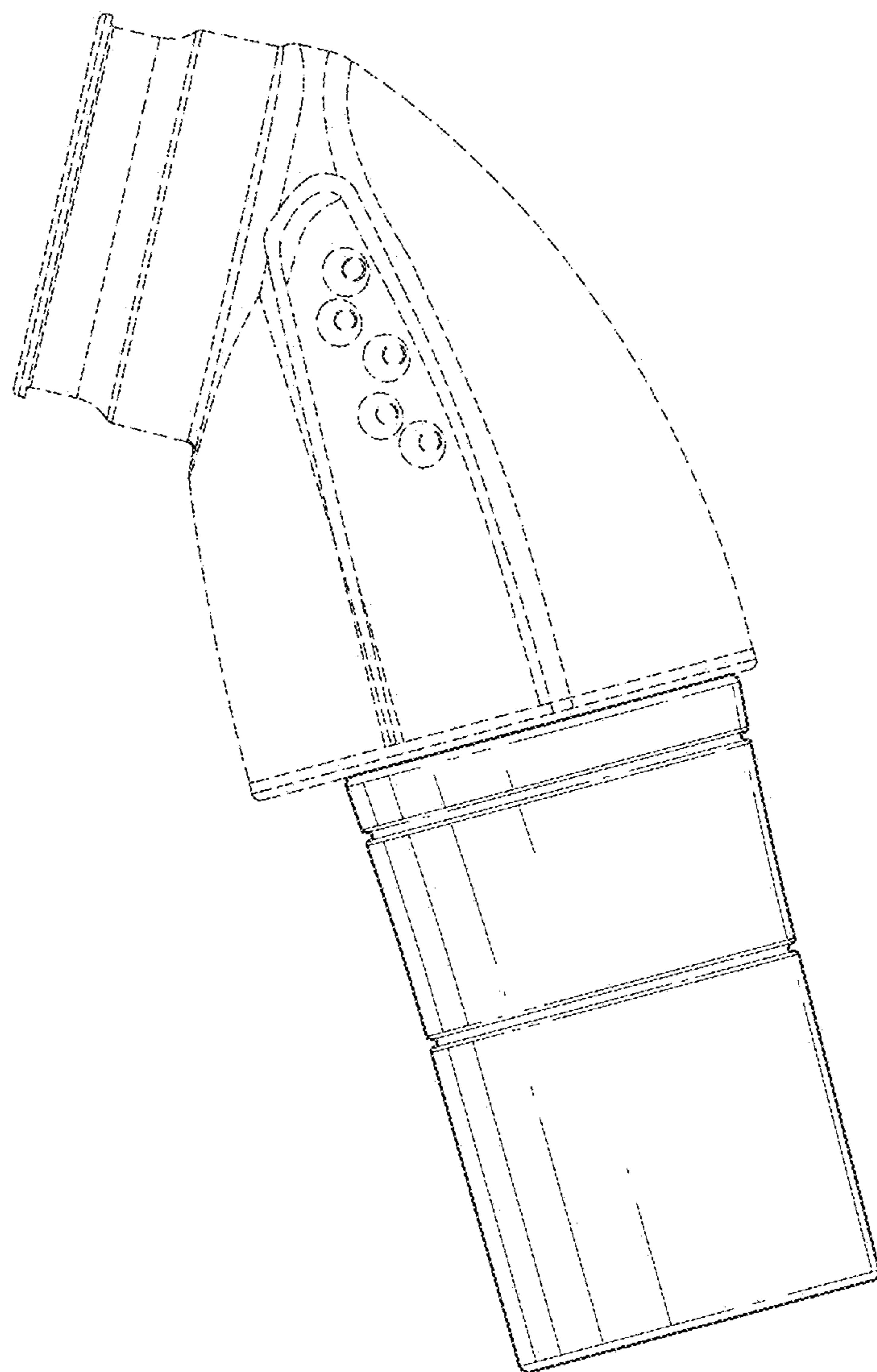
*FIG. 1*



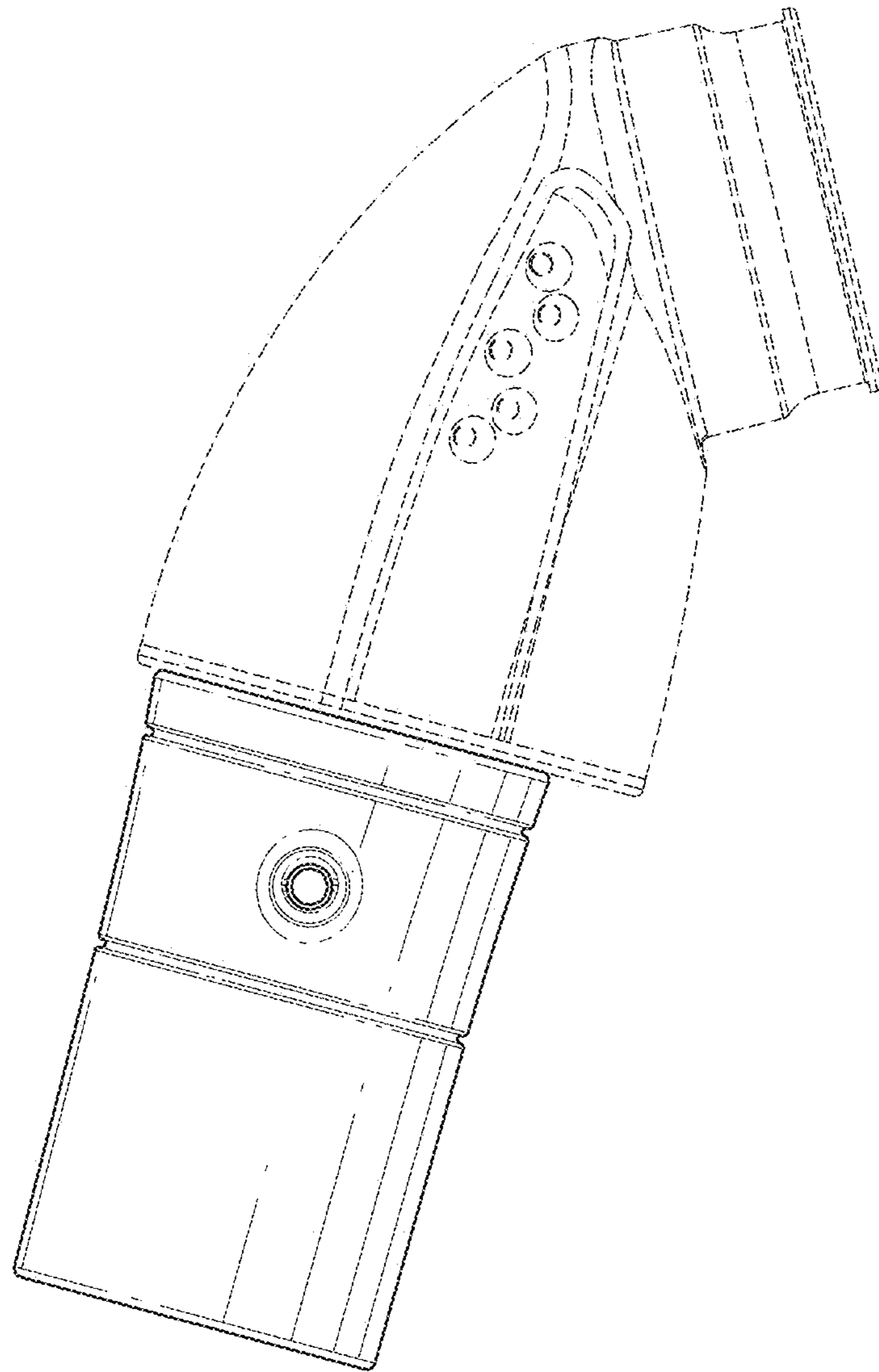
*FIG. 2*



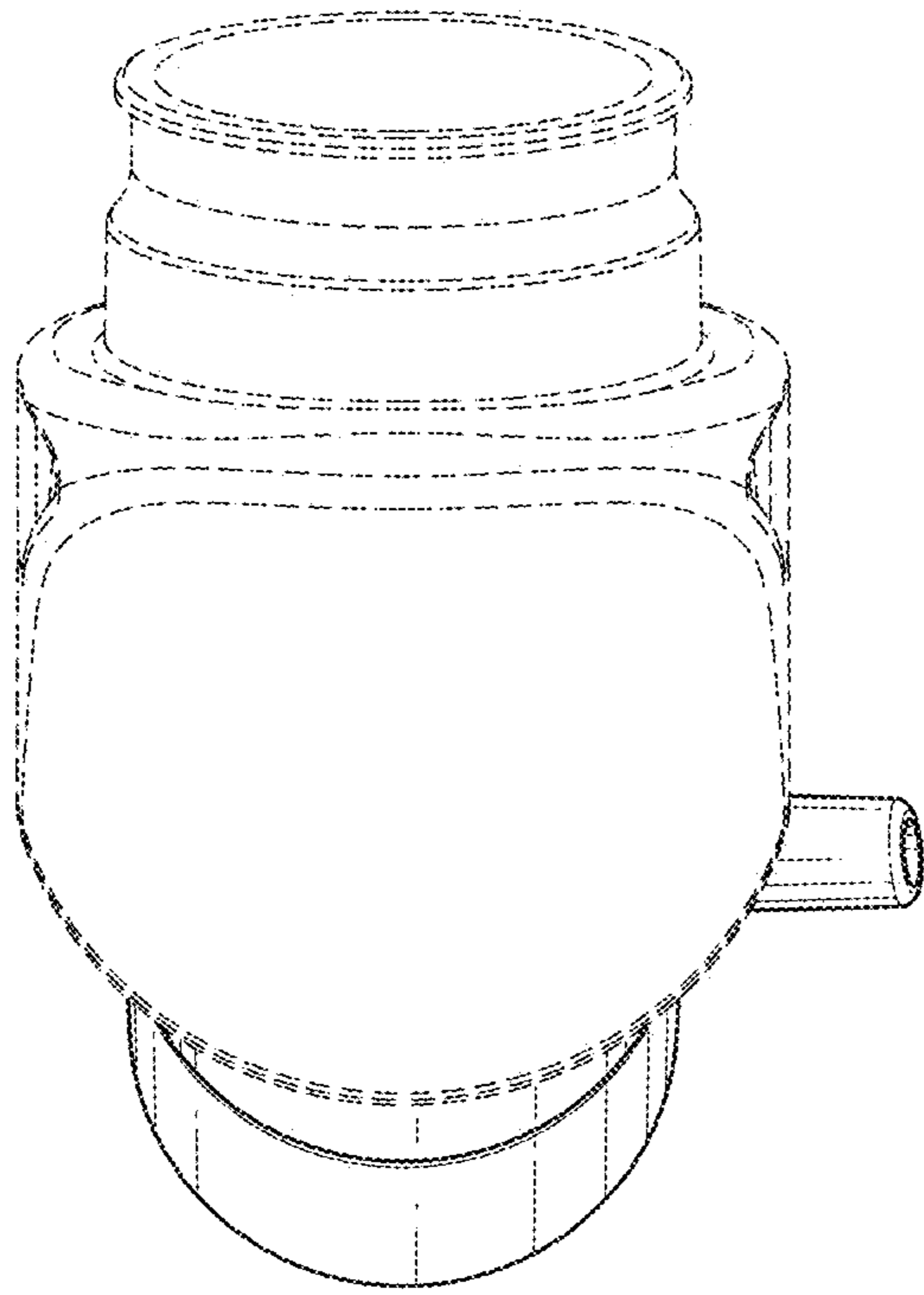
*FIG. 3*



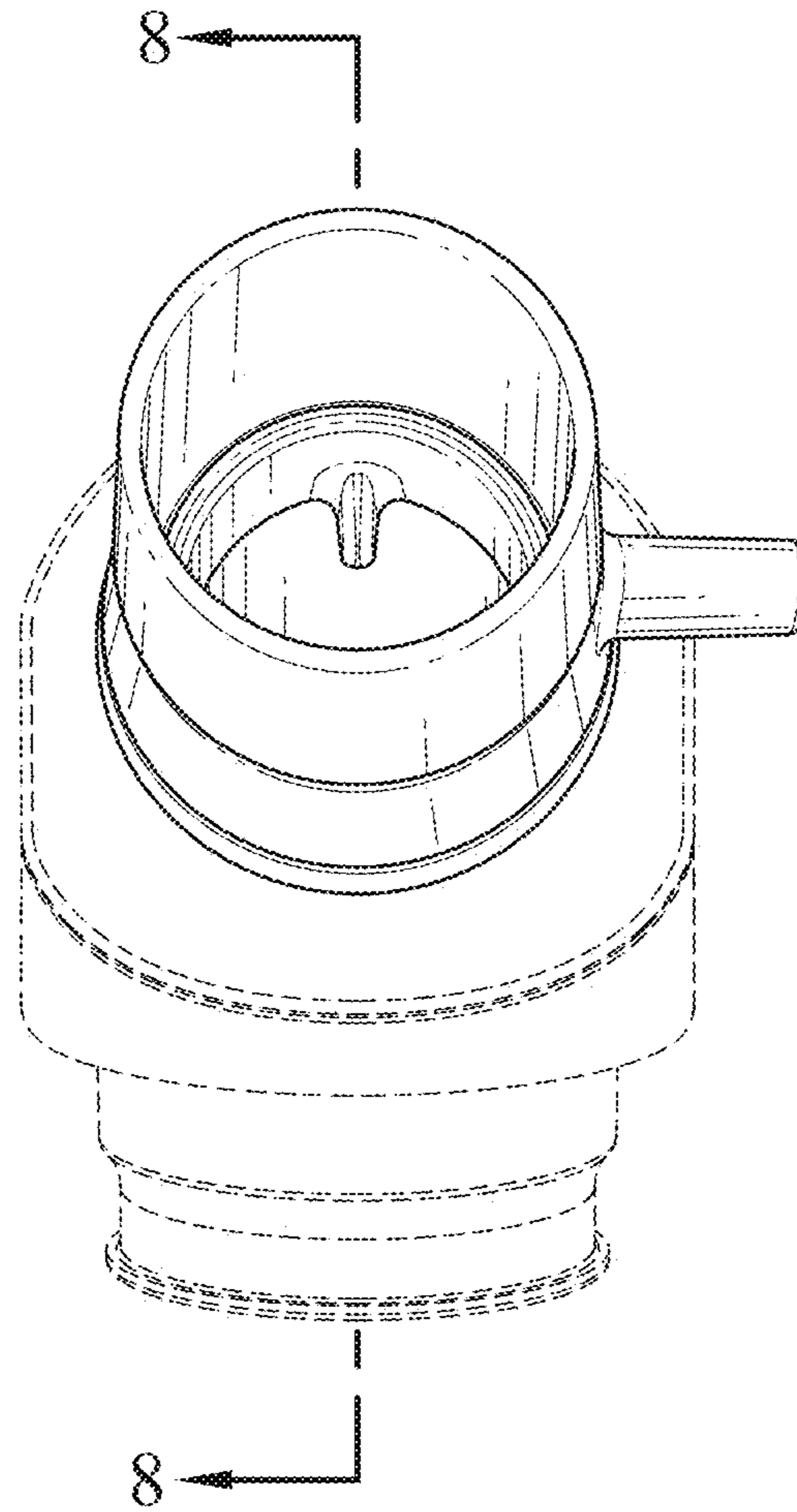
*FIG. 4*



*FIG. 5*



*FIG. 6*



*FIG. 7*

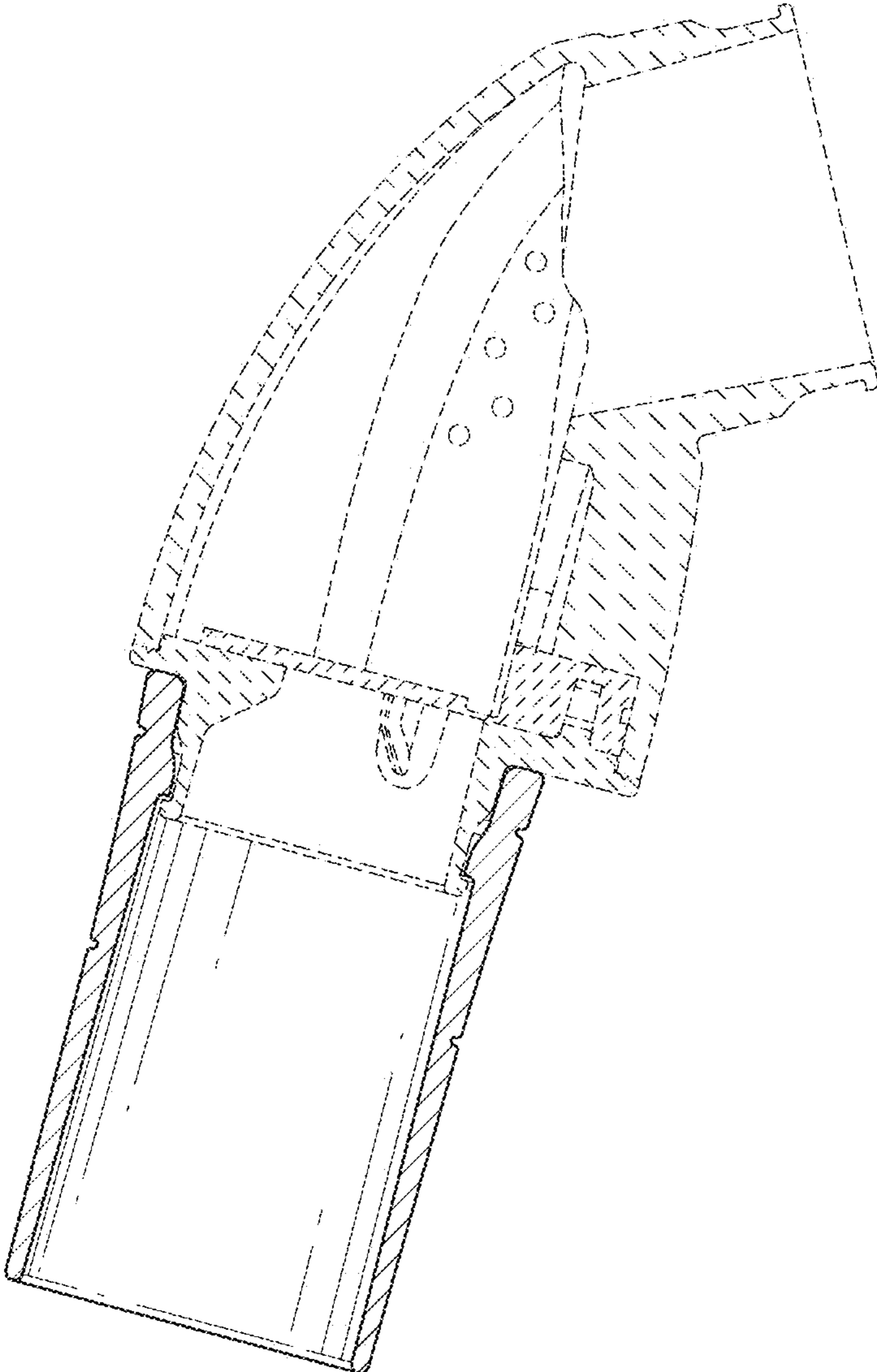


FIG. 8