

US00D876615S

(12) **United States Design Patent** (10) **Patent No.:** **US D876,615 S**
Allum et al. (45) **Date of Patent:** **** Feb. 25, 2020**

- (54) **NASAL INTERFACE FOR VENTILATION**
- (71) Applicant: **SILVERBOW DEVELOPMENT, LLC**, San Ramon, CA (US)
- (72) Inventors: **Todd Allum**, Livermore, CA (US);
Gregory J. Kapust, San Ramon, CA (US)
- (73) Assignee: **INOGEN, INC.**, Goleta, CA (US)
- (**) Term: **15 Years**
- (21) Appl. No.: **29/602,544**
- (22) Filed: **May 1, 2017**
- (51) **LOC (12) Cl.** **29-02**
- (52) **U.S. Cl.**
USPC **D24/110.1**
- (58) **Field of Classification Search**
USPC D24/110-110.6, 127, 129; D29/110
CPC A61M 16/0616; A61M 16/0633; A61M 16/06; A61M 16/0666; A61M 16/0683; A61M 16/0605; A61M 16/0622; A61M 16/0644; A61M 16/0875; A61M 16/0816; A61M 16/08; B63C 11/205; B63C 11/16; B63C 11/186; B63C 11/12
See application file for complete search history.

(56) **References Cited**

U.S. PATENT DOCUMENTS

- D589,139 S * 3/2009 Guney D24/110.1
- D595,848 S * 7/2009 Dolezal D24/106
- D627,059 S * 11/2010 Wood D24/110.5
- D634,838 S * 3/2011 Dolezal D24/106
- D645,557 S * 9/2011 Scheiner D24/110.1
- D662,200 S * 6/2012 Eghbal D24/110.1

- 9,027,553 B2 * 5/2015 Witt A61M 16/0666
128/205.25
- D770,608 S * 11/2016 Allum D24/110.1
- 2006/0266361 A1 * 11/2006 Hernandez A61M 16/06
128/206.11
- 2011/0259340 A1 * 10/2011 Witt A61M 16/0666
128/207.18
- 2015/0250973 A1 * 9/2015 Allum A61M 16/0666
128/205.25
- 2017/0246413 A1 * 8/2017 Peets A61M 16/0666

* cited by examiner

Primary Examiner — Lilyana Bekic

Assistant Examiner — Aula Soroush

(74) *Attorney, Agent, or Firm* — Artegis Law Group, LLP

(57) **CLAIM**

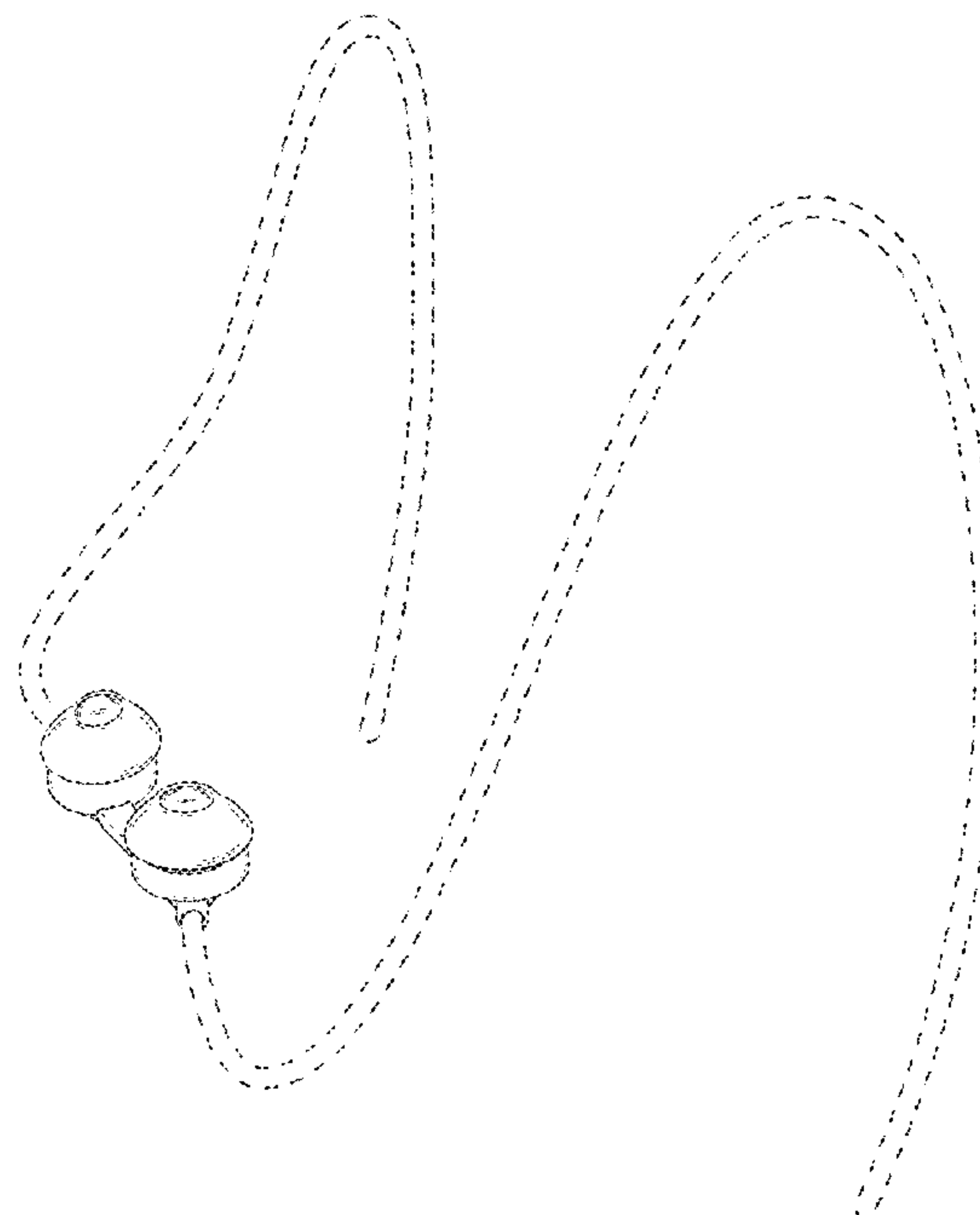
The ornamental design for a nasal interface for ventilation, as shown and described.

DESCRIPTION

FIG. 1 is a top perspective view of a nasal interface for ventilation, showing our new design;
 FIG. 2 is a front elevational view thereof;
 FIG. 3 is a rear elevational view thereof;
 FIG. 4 is a left side elevational view thereof, the right side being a mirror image;
 FIG. 5 is an enlarged top perspective view thereof;
 FIG. 6 is a left side view thereof as would be positioned in a nostril, the right side being a mirror image thereof;
 FIG. 7 is a top perspective view thereof; and,
 FIG. 8 is a cross-sectional view taken in the direction of lines 8-8 of FIG. 7.

The broken lines in the drawings illustrate portions of the nasal interface for ventilation that form no part of the claimed design.

1 Claim, 8 Drawing Sheets



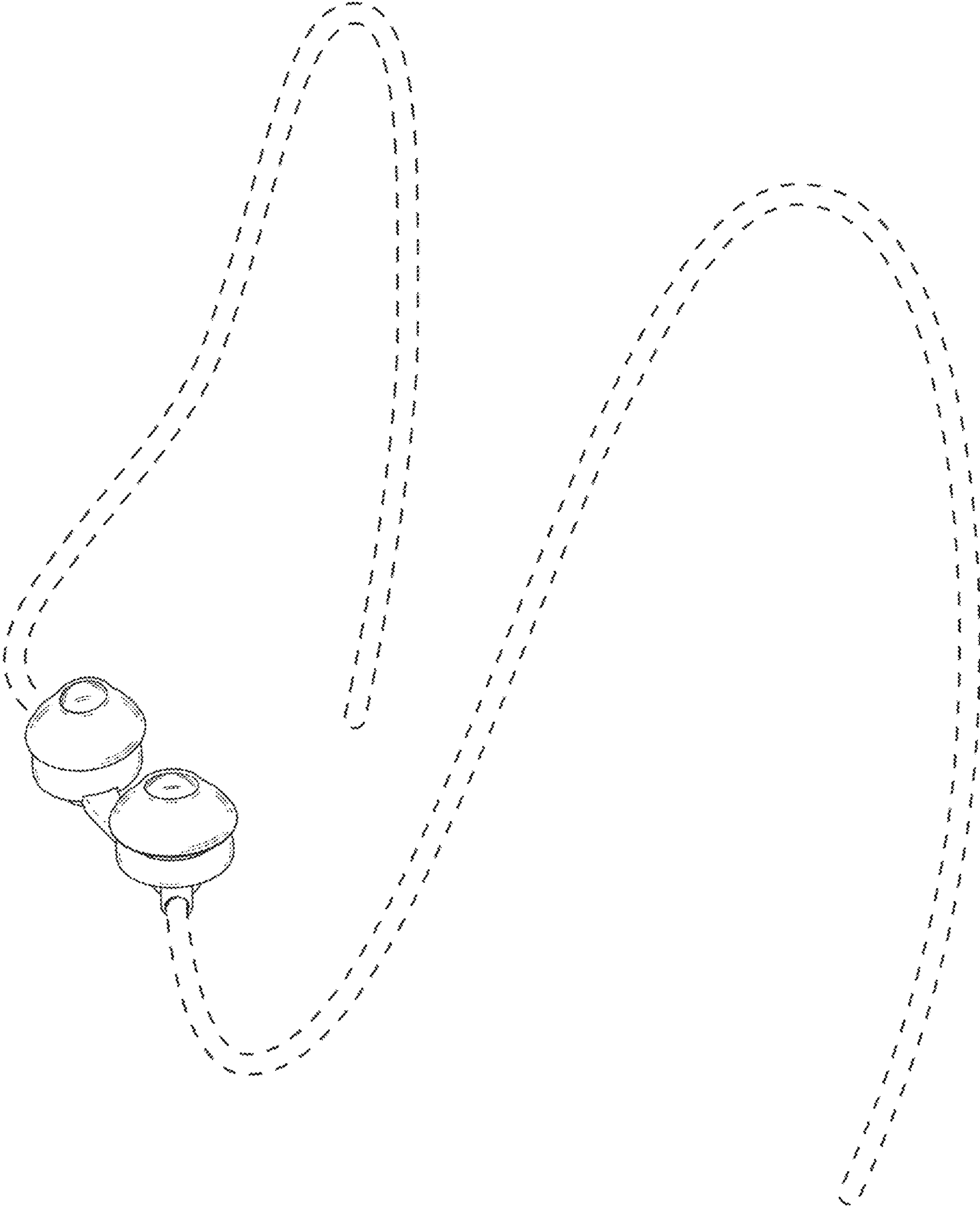


FIG. 1

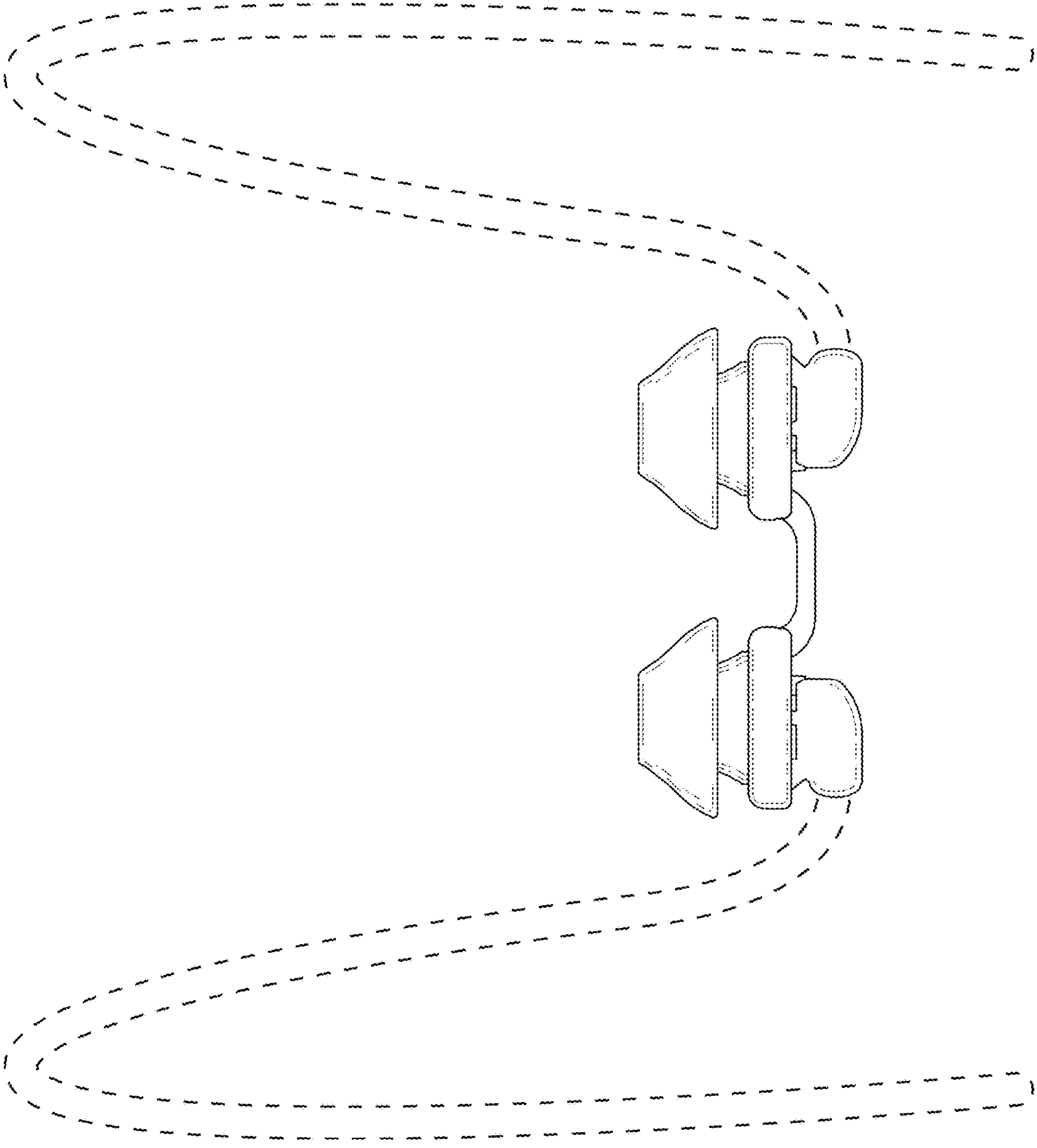


FIG. 2

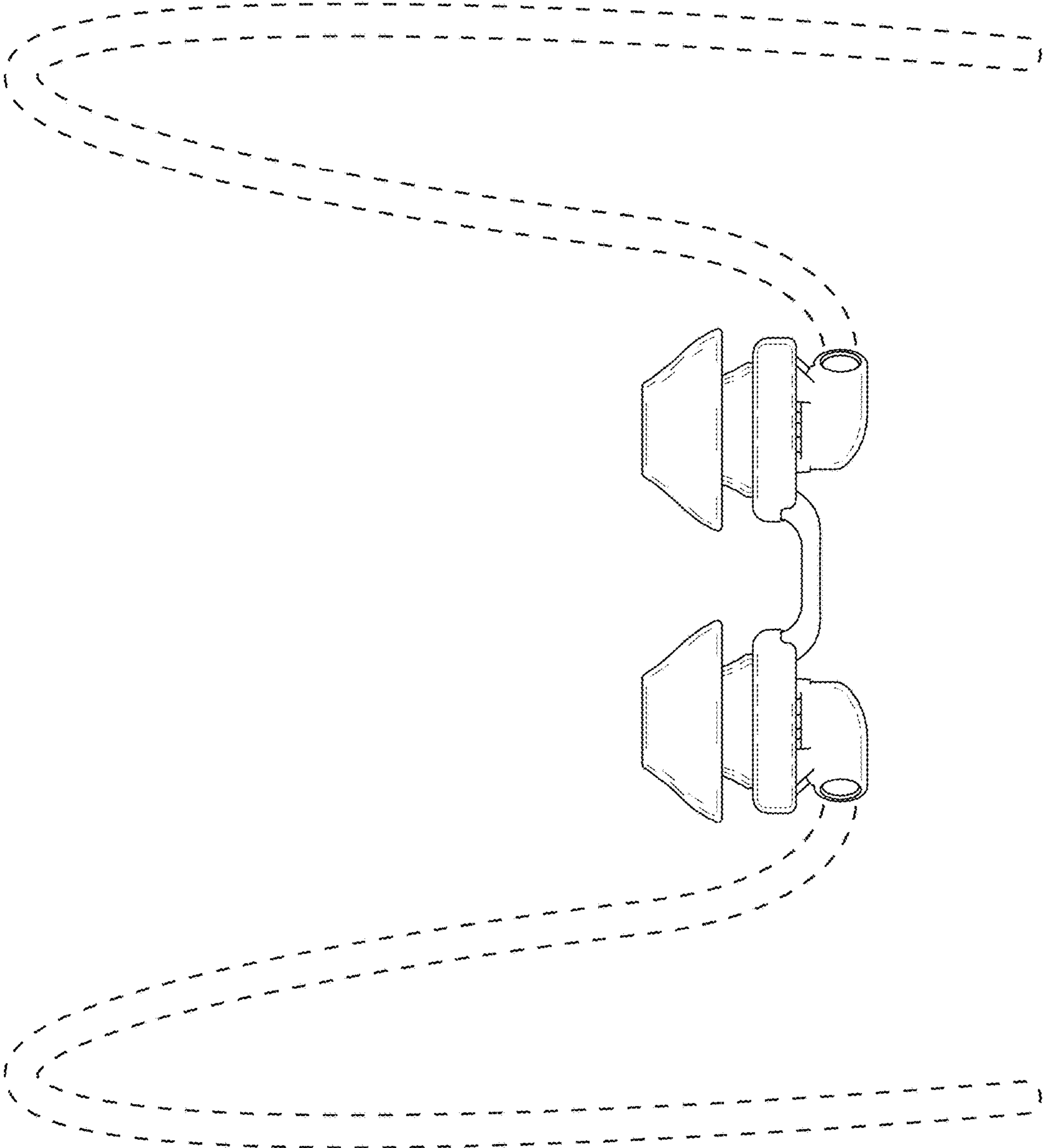


FIG. 3

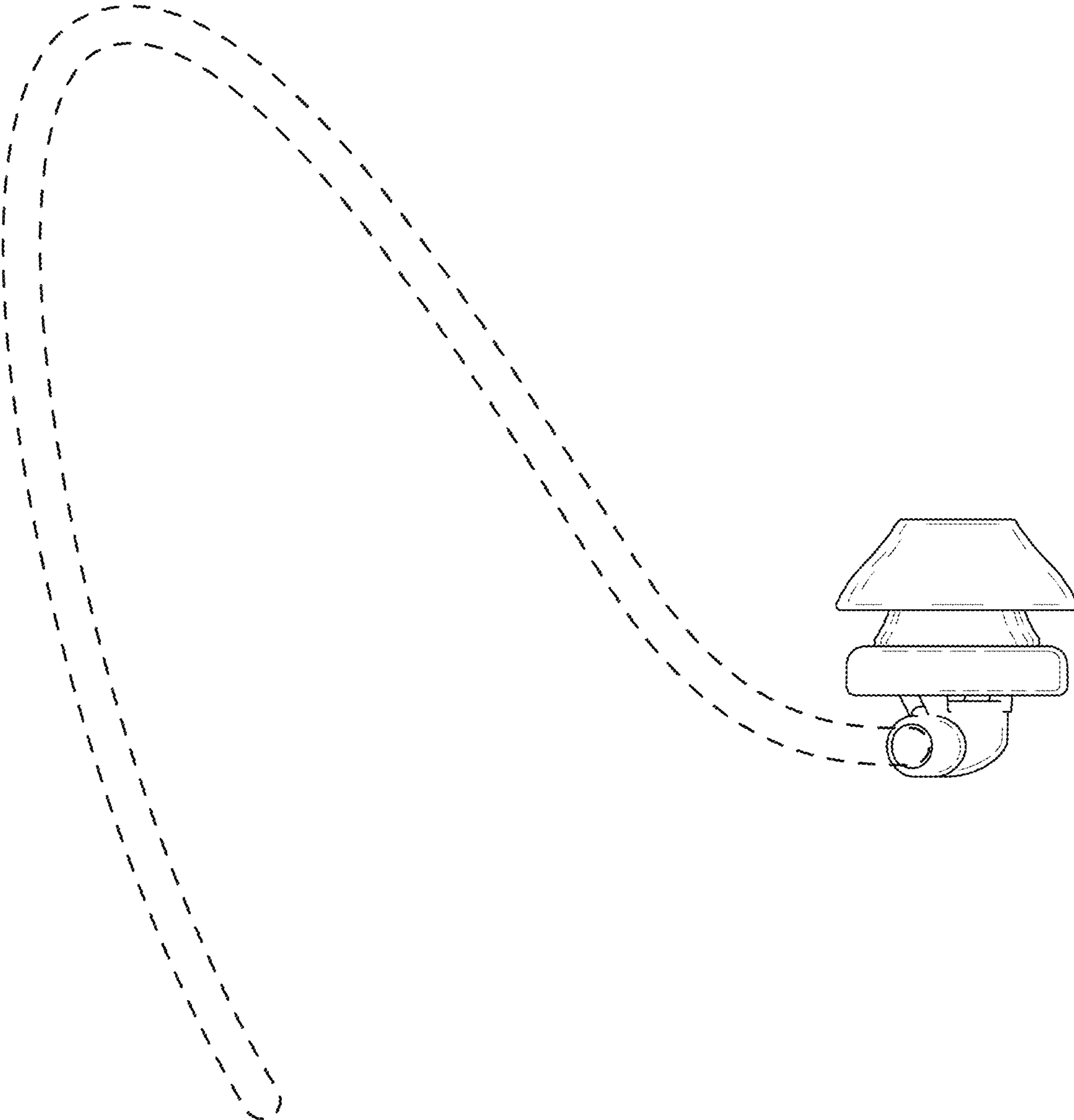


FIG. 4

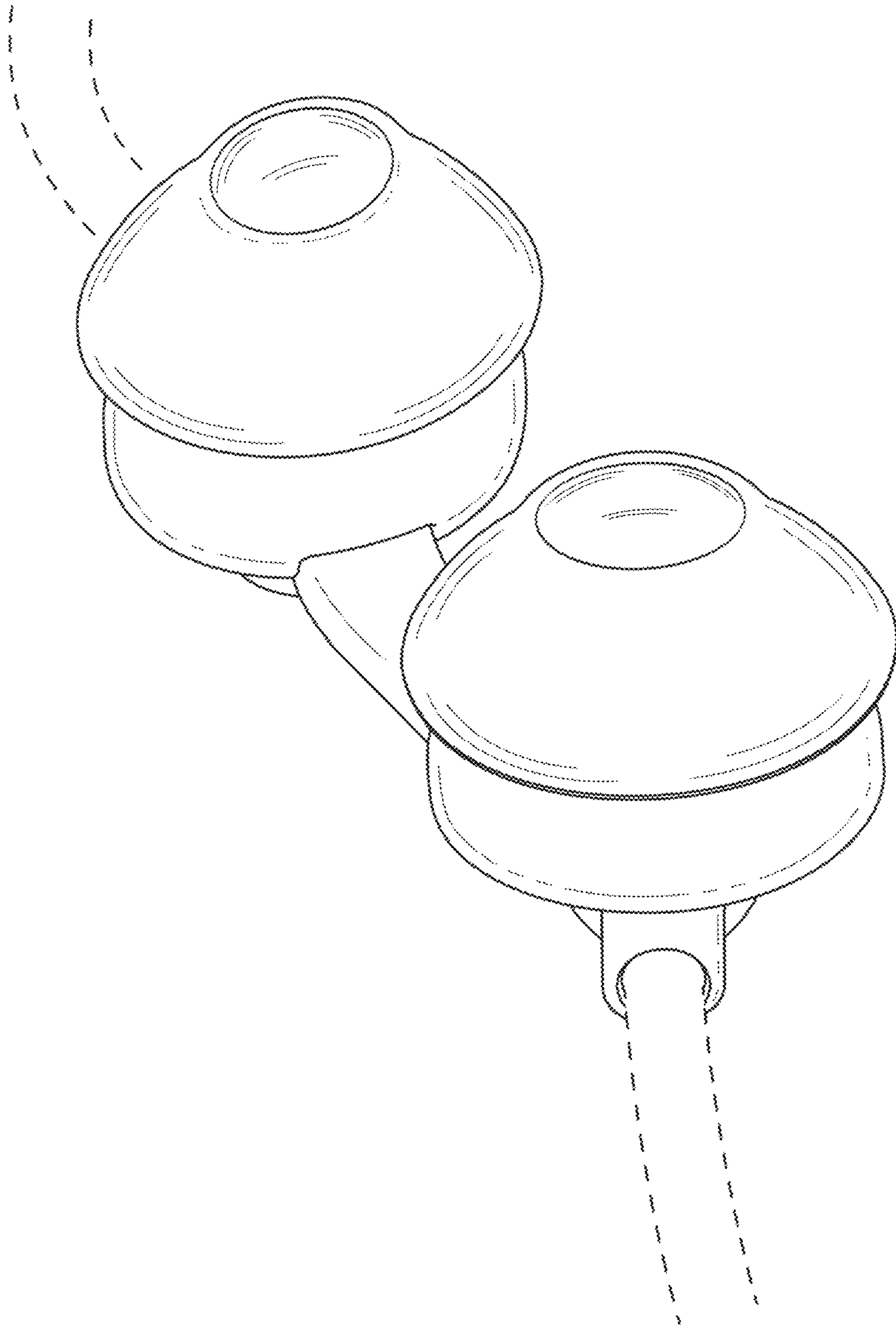


FIG. 5

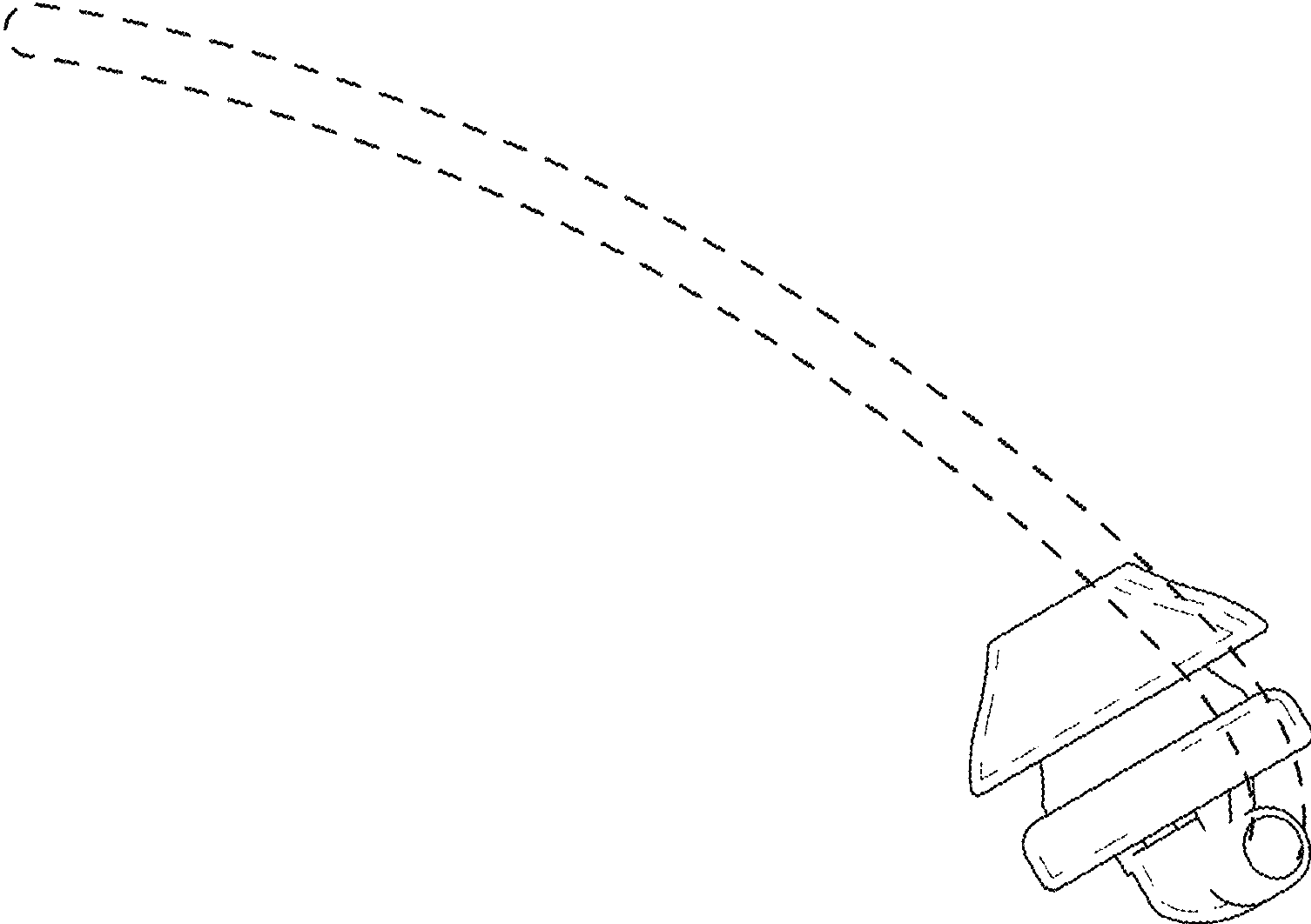


FIG. 6

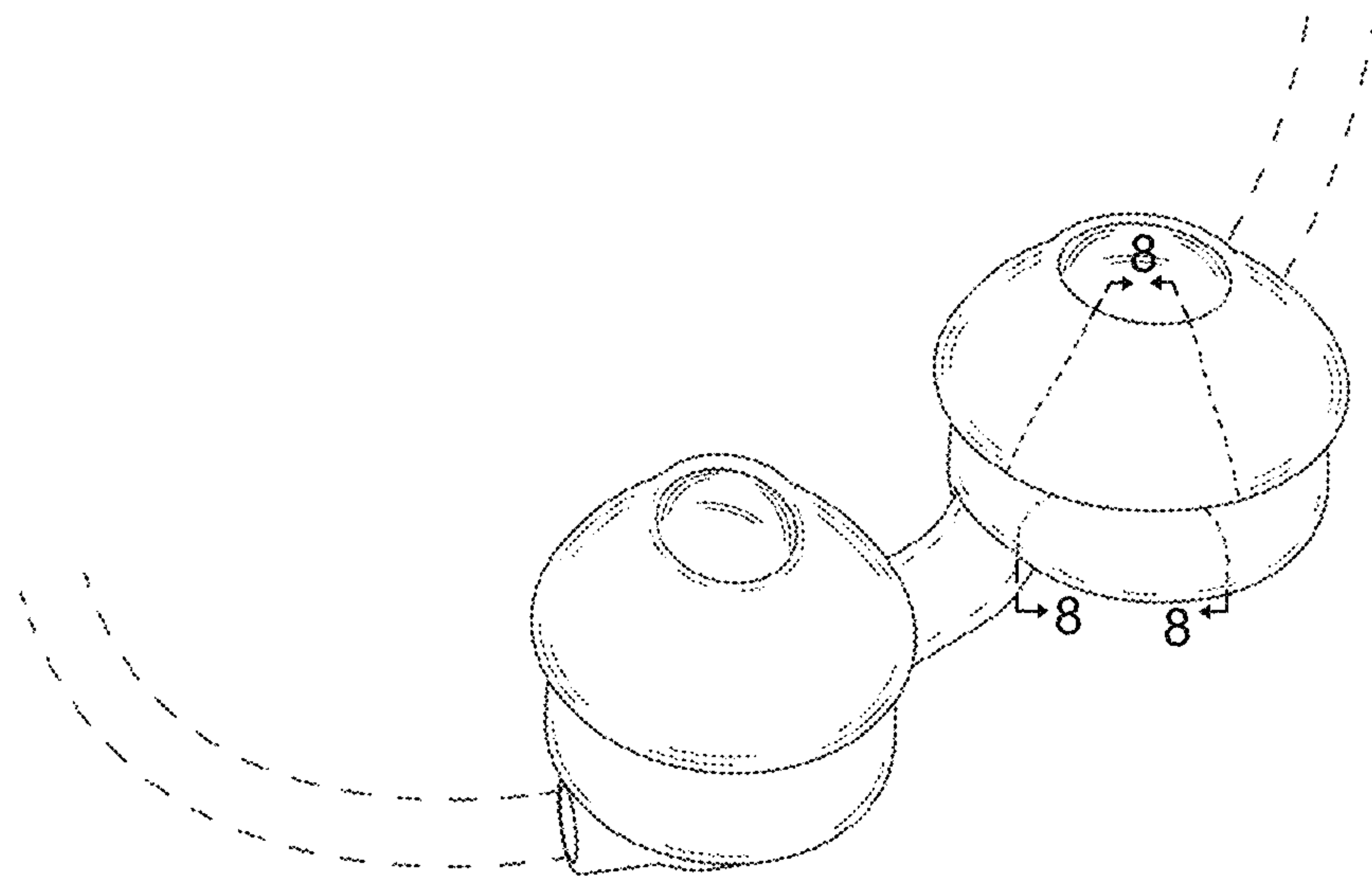


FIG. 7

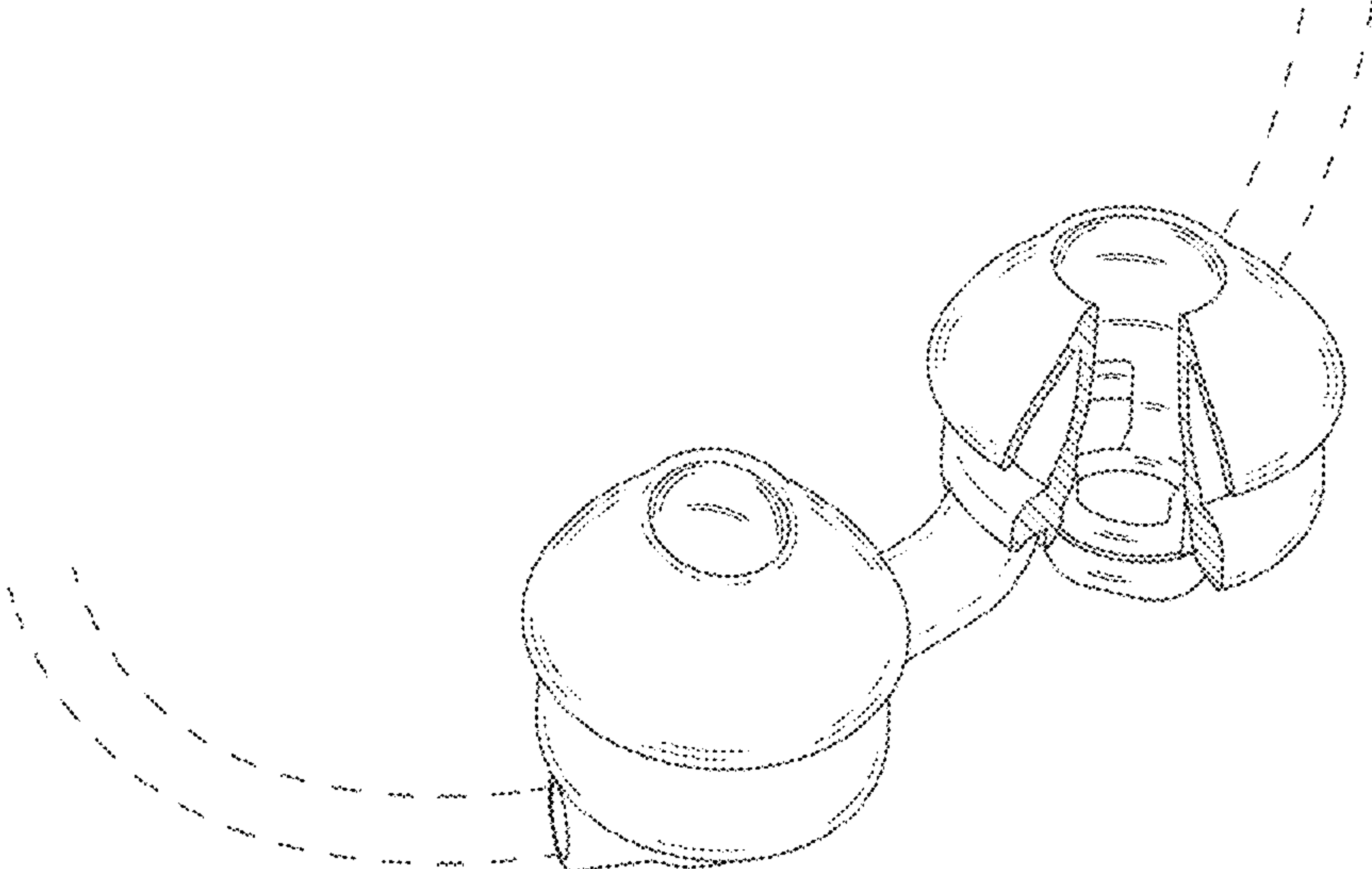


FIG. 8