



US00D876613S

(12) **United States Design Patent**
Wang

(10) **Patent No.:** **US D876,613 S**

(45) **Date of Patent:** **** Feb. 25, 2020**

(54) **CEILING FAN MOTOR HOUSING AND LIGHT KIT ASSEMBLY**

(71) Applicant: **AIR COOL INDUSTRIAL CO., LTD.**, Taichung (TW)

(72) Inventor: **Cliff Wang**, Taichung (TW)

(73) Assignee: **AIR COOL INDUSTRIAL CO., LTD.**, Taichung (TW)

(**) Term: **15 Years**

(21) Appl. No.: **29/664,620**

(22) Filed: **Sep. 26, 2018**

(51) **LOC (12) Cl.** **23-03**

(52) **U.S. Cl.**
USPC **D23/411**; D26/59

(58) **Field of Classification Search**
USPC D23/370–385, 411–414; D26/59
CPC F04D 25/088; F04D 29/38; F04D 29/384;
F04D 29/386; F21V 33/0096
See application file for complete search history.

(56) **References Cited**

U.S. PATENT DOCUMENTS

D437,928 S *	2/2001	Dolan	D23/411
D519,200 S *	4/2006	Young	D23/377
D537,932 S *	3/2007	Young	D23/377
D549,813 S *	8/2007	Gajewski	D23/377
D557,787 S *	12/2007	Gajewski	D23/377
D562,961 S *	2/2008	Pickett	D23/377
D593,672 S *	6/2009	Busta	D23/377
D594,540 S *	6/2009	Pan	D23/377
D594,544 S *	6/2009	Pan	D23/377
D632,381 S *	2/2011	Davenport	D23/377

D706,406 S *	6/2014	Wang	D23/385
D707,336 S *	6/2014	Pan	D23/377
D716,991 S *	11/2014	Kitts	D26/88
D744,081 S *	11/2015	Wang	D23/411
D759,799 S *	6/2016	Wang	D23/385
D789,509 S *	6/2017	Wang	D23/377
D800,290 S *	10/2017	Searle	D23/377
D801,514 S *	10/2017	Wang	D23/411
D803,384 S *	11/2017	Wang	D23/411
D850,602 S *	6/2019	Flores	D23/377
D850,606 S *	6/2019	Wang	D23/377

* cited by examiner

Primary Examiner — Cathron C Brooks

Assistant Examiner — Sharon S Oum

(74) *Attorney, Agent, or Firm* — Pai Patent & Trademark Law Firm; Chao-Chang David Pai

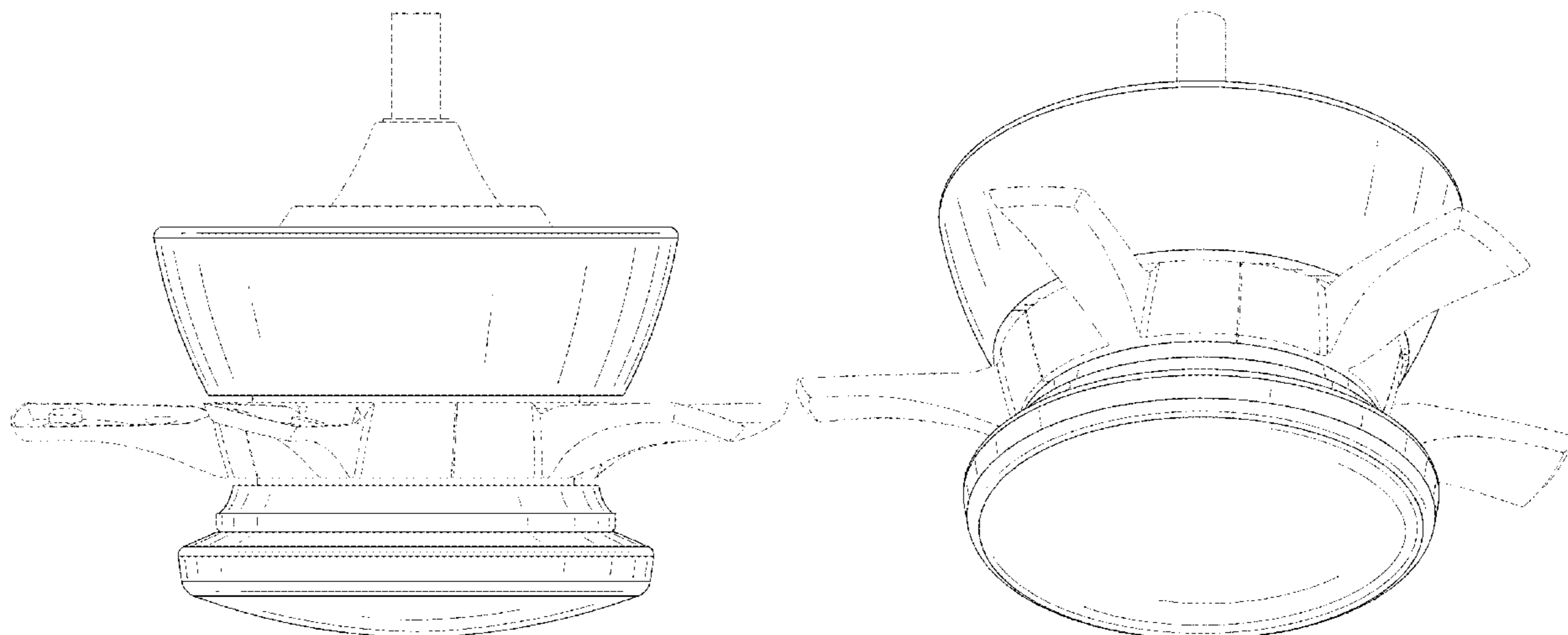
(57) **CLAIM**

The ornamental design for a ceiling fan motor housing and light kit assembly, as shown and described.

DESCRIPTION

FIG. 1 is a front top perspective view of a ceiling fan motor housing and light kit assembly showing my new design; FIG. 2 is a front elevational view thereof; FIG. 3 is a rear elevational view thereof; FIG. 4 is a left side elevational view thereof; FIG. 5 is a right side elevational view thereof; FIG. 6 is a top plan view thereof; FIG. 7 is a bottom plan view thereof; and, FIG. 8 is a front bottom perspective view thereof. The broken lines illustrate portions of the ceiling fan motor housing and light kit assembly and form no part of the claimed design.

1 Claim, 8 Drawing Sheets



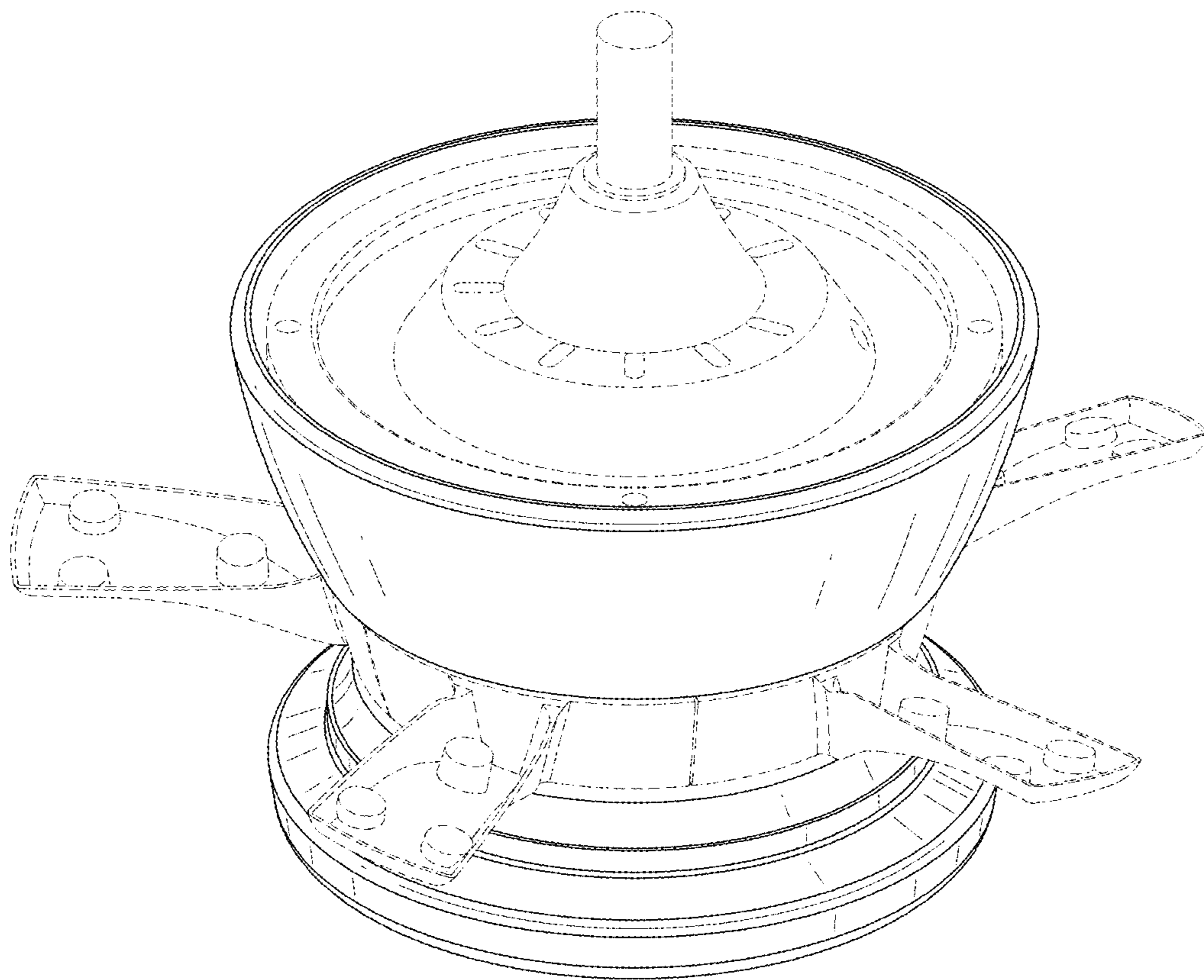


FIG. 1

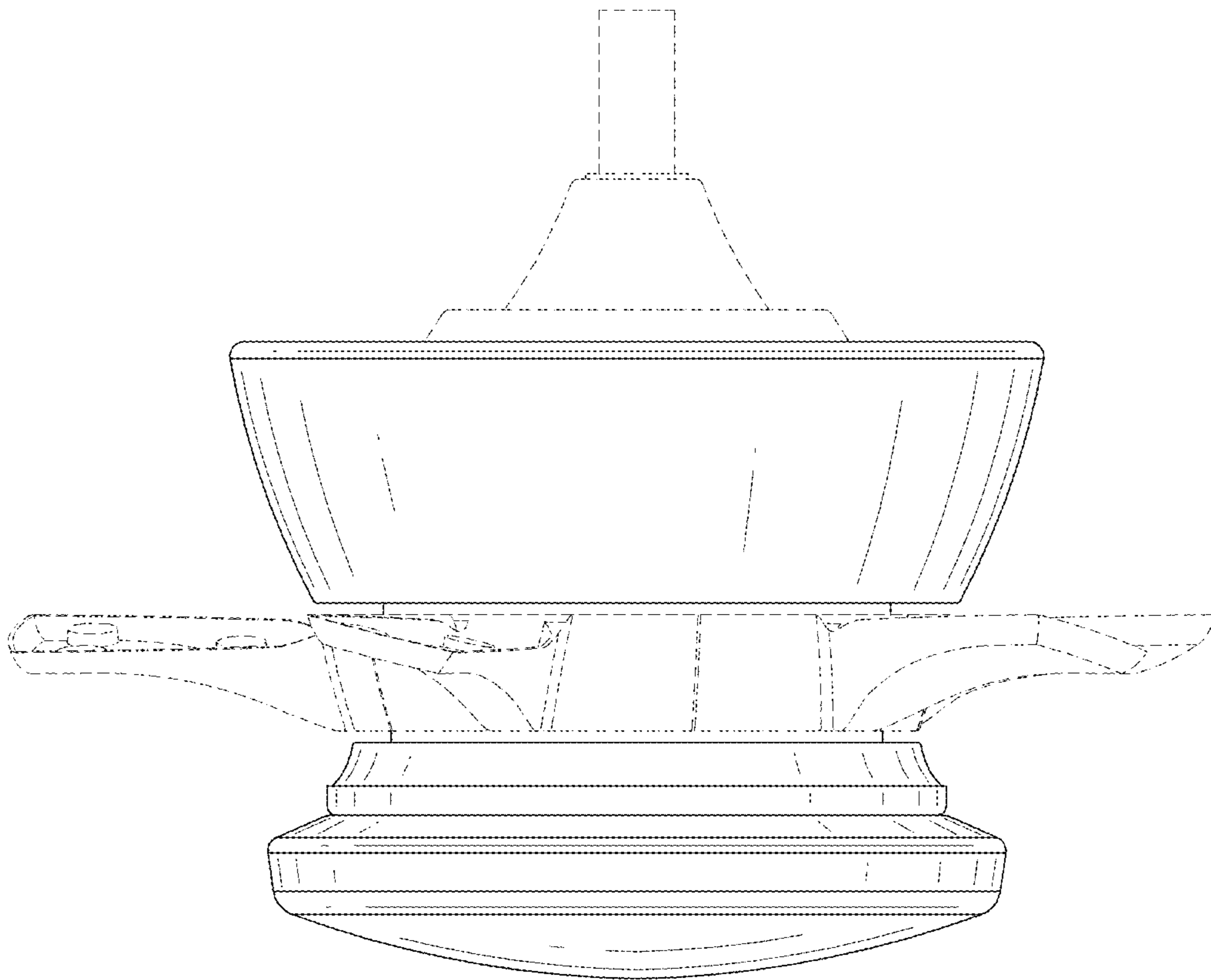


FIG. 2

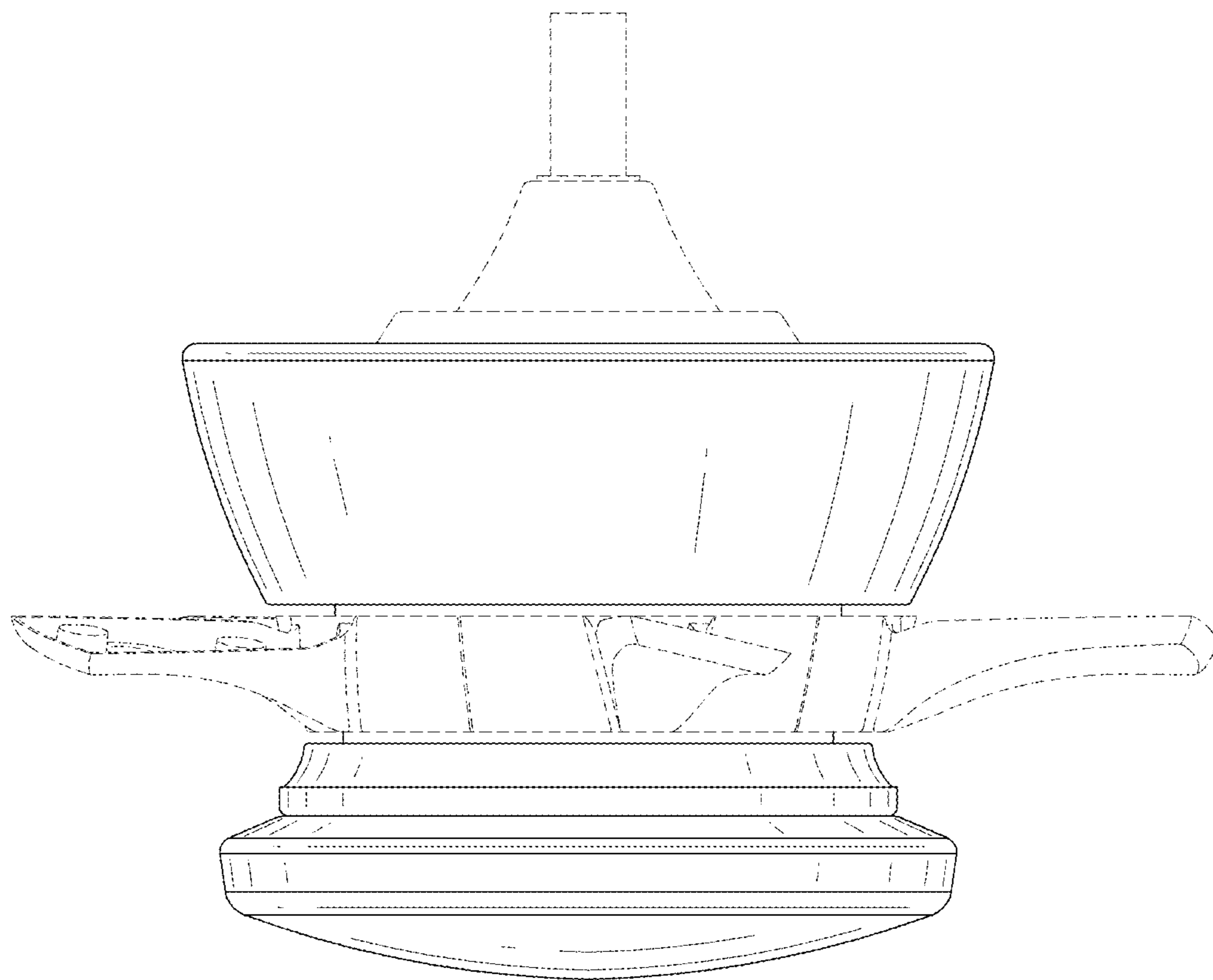


FIG. 3

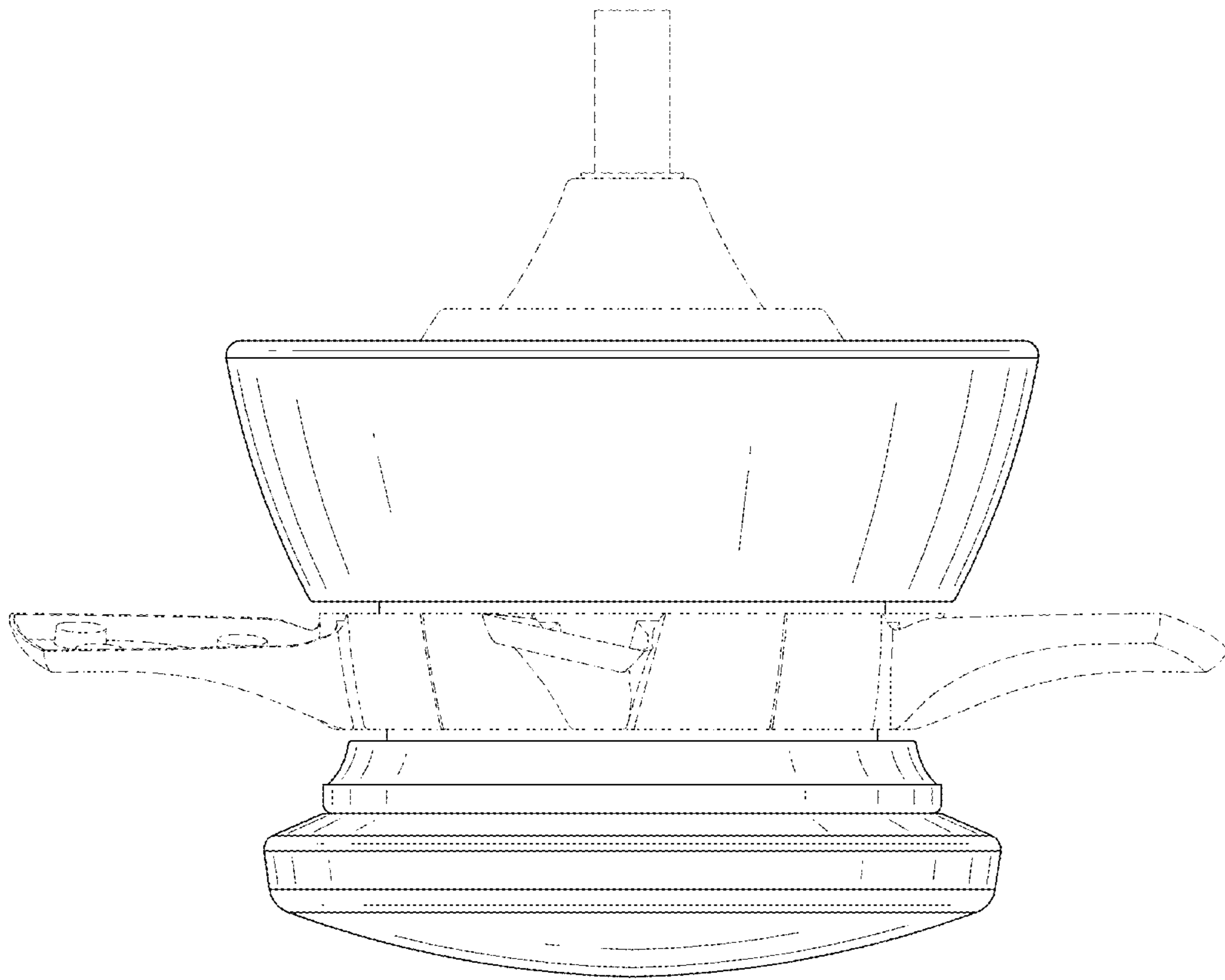


FIG. 4

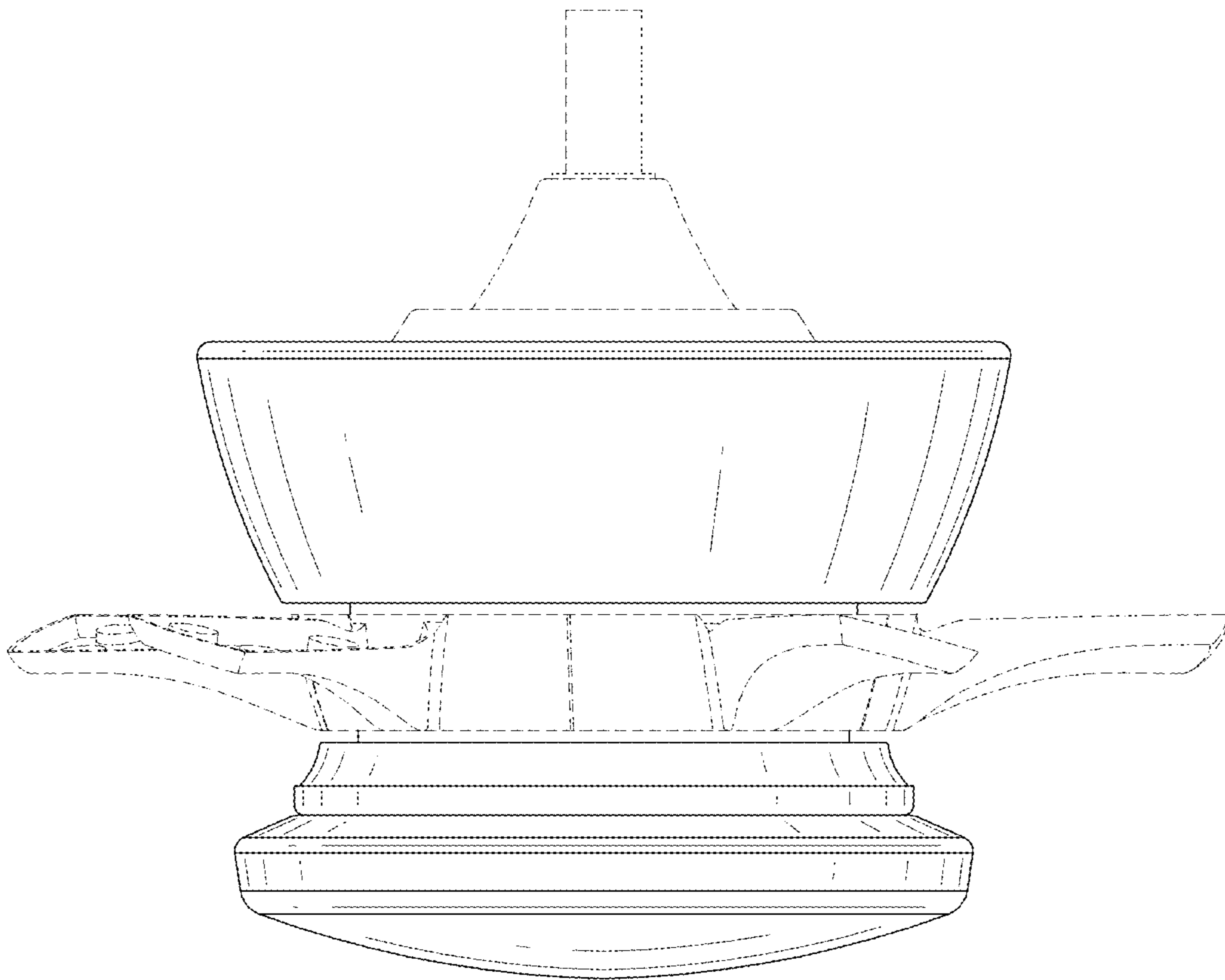


FIG. 5

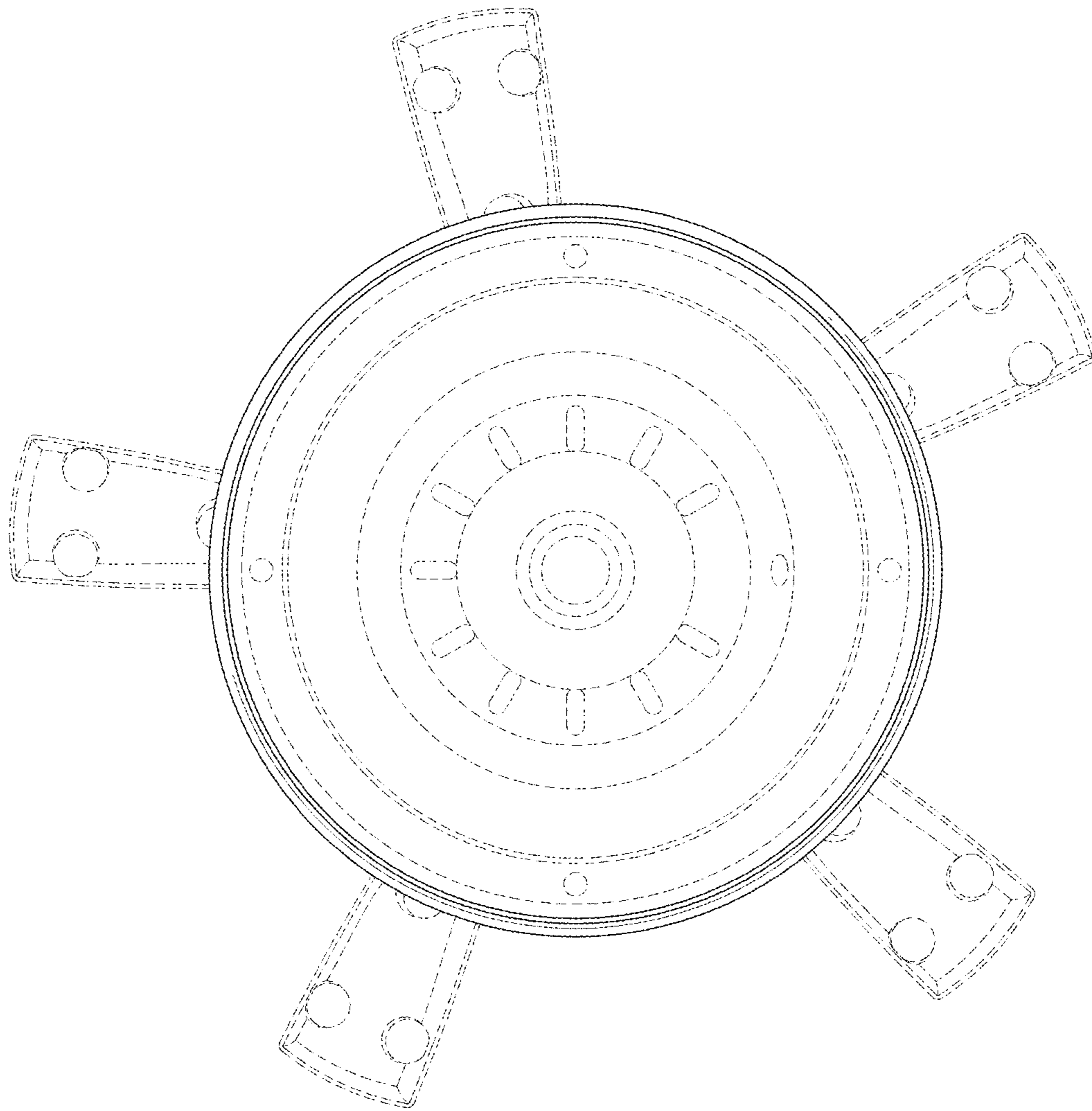


FIG. 6

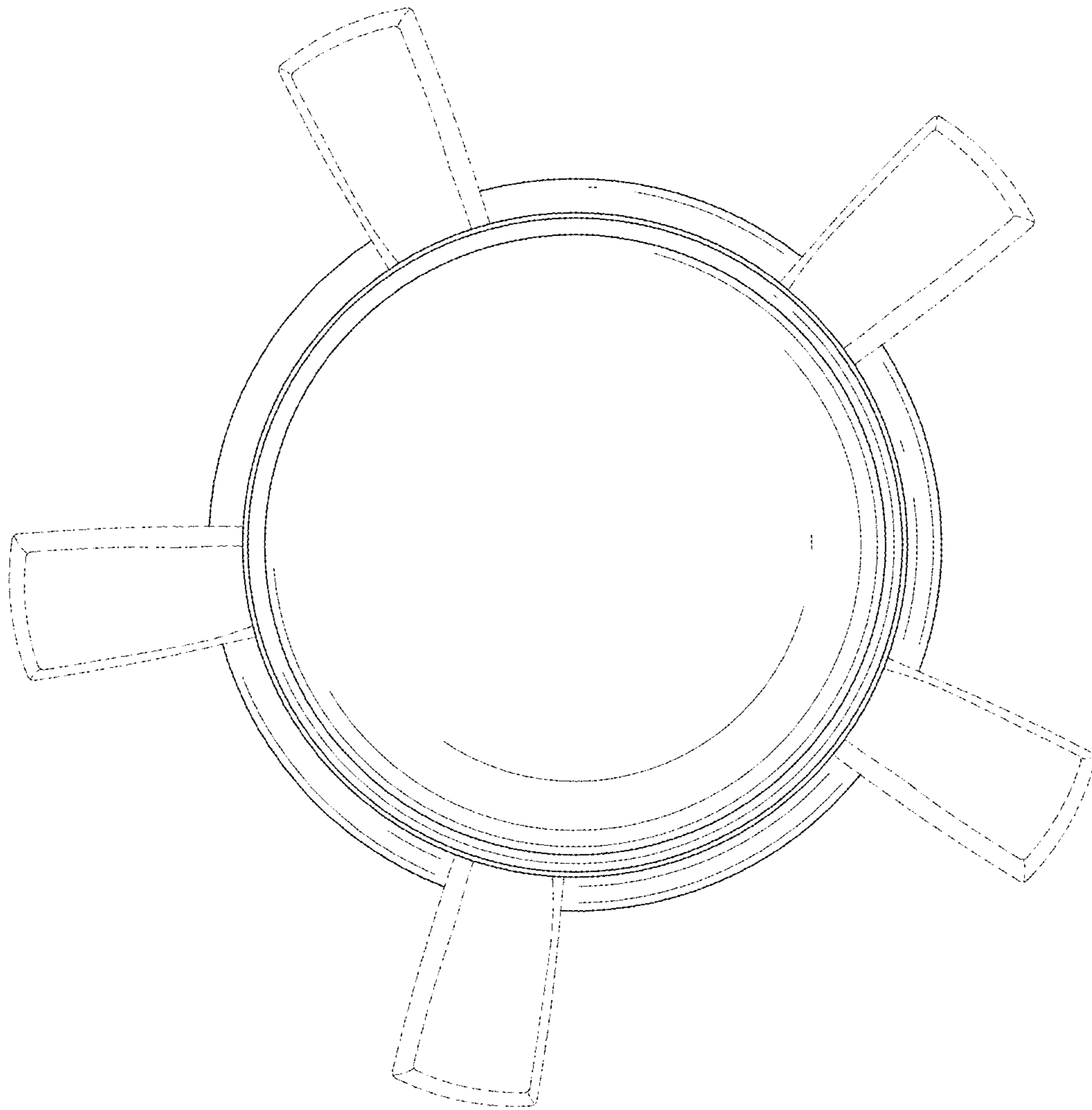


FIG. 7

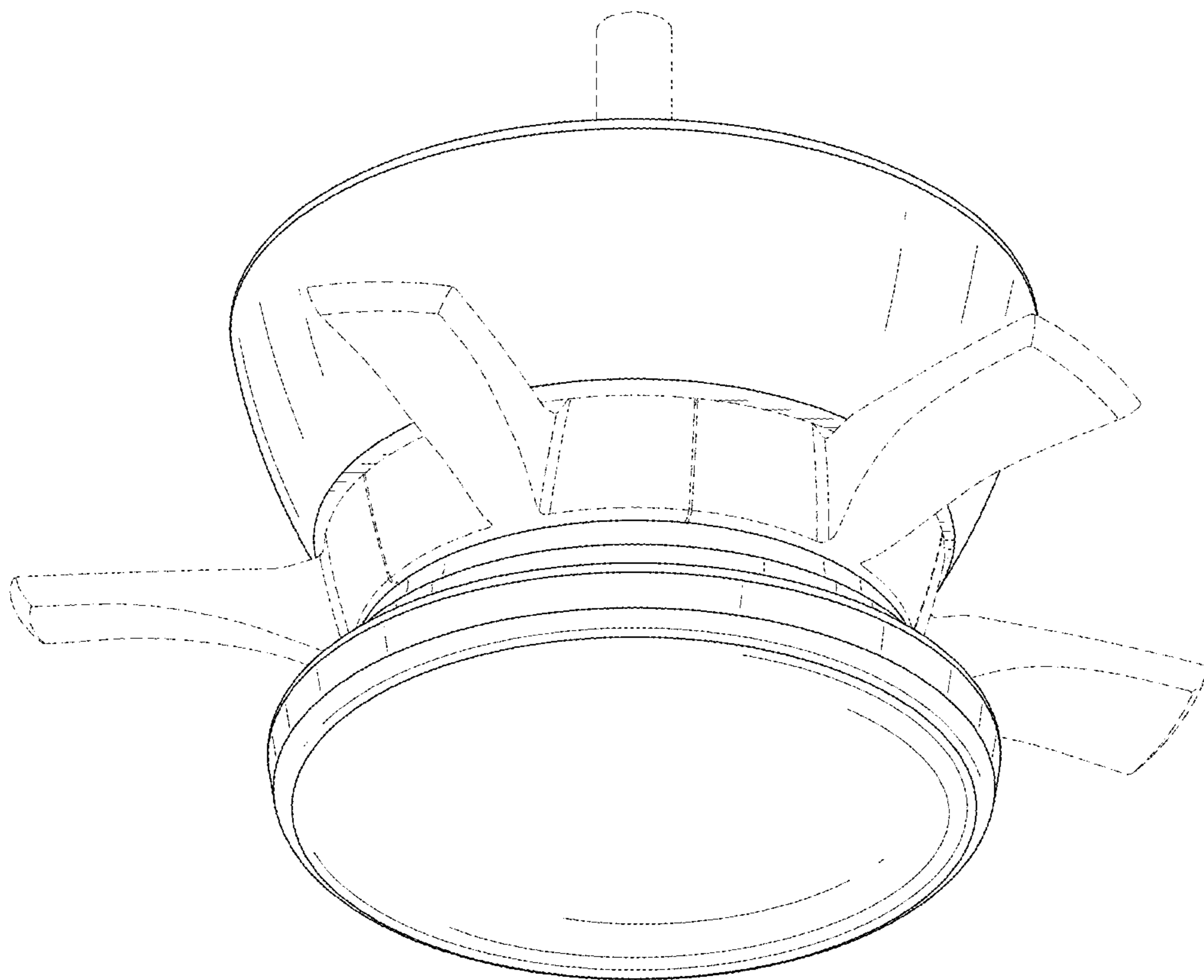


FIG. 8